



US00D950590S

(12) **United States Design Patent** (10) **Patent No.:** **US D950,590 S**  
**Ziegenfuss et al.** (45) **Date of Patent:** **\*\* May 3, 2022**

(54) **DISPLAY SCREEN WITH GRAPHICAL USER INTERFACE**

(71) Applicant: **SAE INTERNATIONAL**, Warrendale, PA (US)

(72) Inventors: **Audra Ziegenfuss**, Baden, PA (US);  
**Michael McCumber**, Cranberry Township, PA (US)

(73) Assignee: **SAE International**, Warrendale, PA (US)

(\*\*) Term: **15 Years**

(21) Appl. No.: **29/748,822**

(22) Filed: **Sep. 1, 2020**

**Related U.S. Application Data**

(62) Division of application No. 29/672,682, filed on Dec. 7, 2018, now Pat. No. Des. 898,061.

(51) **LOC (13) Cl.** ..... **14-04**

(52) **U.S. Cl.**  
USPC ..... **D14/486**

(58) **Field of Classification Search**  
USPC ..... D14/485–495  
CPC ..... G06Q 30/0601; G06Q 30/0641  
See application file for complete search history.

(56) **References Cited**

**U.S. PATENT DOCUMENTS**

D502,184 S	2/2005	Glezer et al.	
D526,653 S *	8/2006	McDougall	D14/485
D562,339 S *	2/2008	Keohane	D14/487
D590,408 S	4/2009	Evans et al.	
D639,817 S *	6/2011	Woods	D14/486
D658,667 S *	5/2012	Cho	D14/486
D674,810 S	1/2013	Goodspeed et al.	

D764,503 S	8/2016	Gamel	
D765,107 S	8/2016	Heinrich et al.	
D781,887 S	5/2017	Dziuba et al.	
D786,900 S	5/2017	Parmar et al.	
D806,735 S	1/2018	Olsen et al.	
D813,258 S *	3/2018	Lindmark	D14/486
D837,819 S *	1/2019	Sanchez	D14/486
D847,840 S *	5/2019	Poschel	D14/486
D851,124 S	6/2019	Vickery et al.	
D851,668 S	6/2019	Jiang et al.	
D853,421 S	7/2019	Zhang et al.	
D870,129 S *	12/2019	Bhardwaj	D14/486
D898,061 S *	10/2020	Ziegenfuss	D14/486
D905,734 S *	12/2020	Christiana	D14/488
10,856,099 B2 *	12/2020	Haney	H04W 4/027
11,048,710 B2 *	6/2021	Bolcer	G06Q 10/101

(Continued)

*Primary Examiner* — Katherine A Holbrow

(74) *Attorney, Agent, or Firm* — The Webb Law Firm

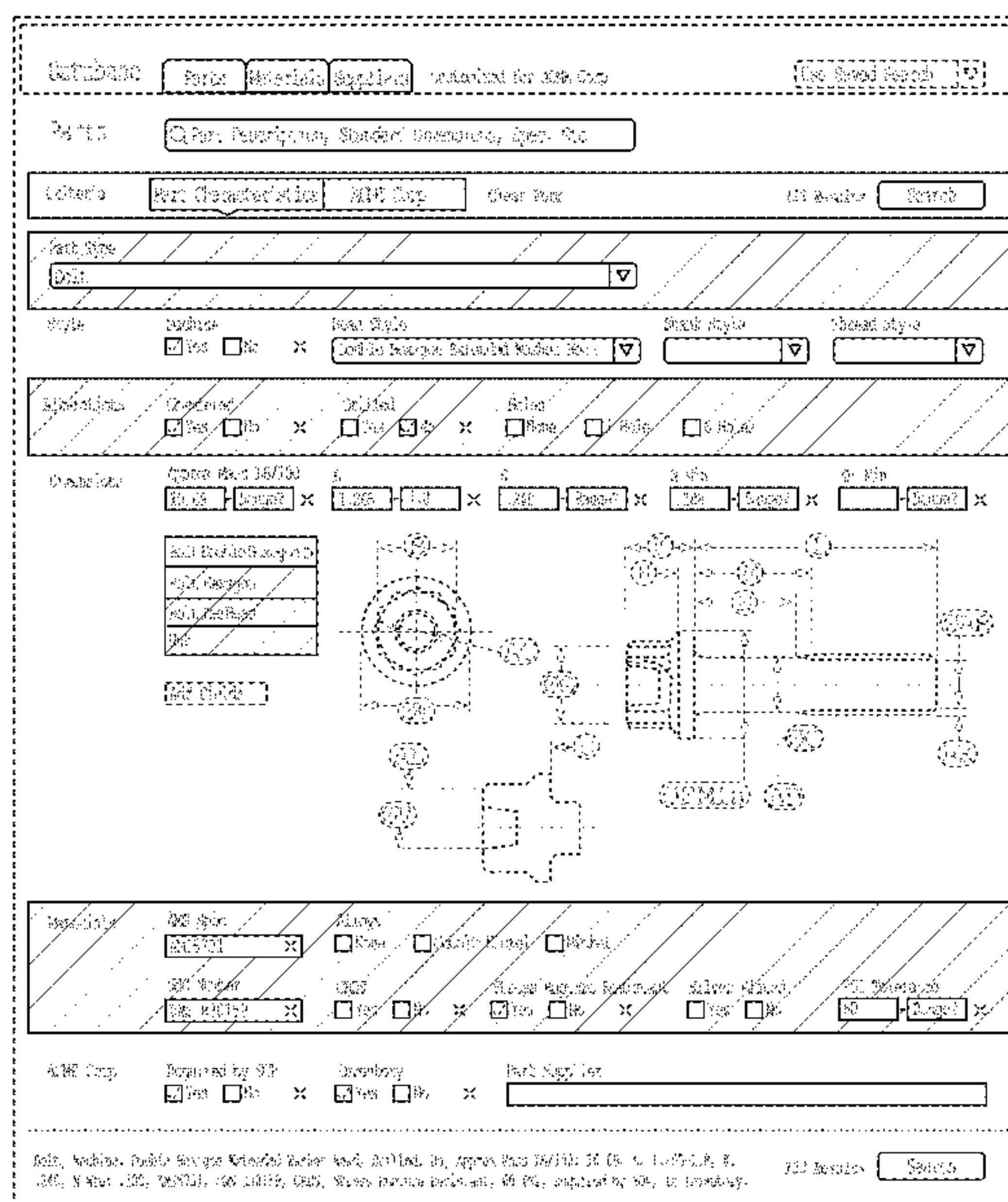
(57) **CLAIM**

The ornamental design for a display screen with graphical user interface, as shown and described.

**DESCRIPTION**

A portion of the disclosure of this patent document contains material to which a claim for copyright is made. The copyright owner has no objection to the facsimile reproduction by anyone of the patent document or the patent disclosure, as it appears in the Patent and Trademark Office patent file or records, but reserves all other copyrights whatsoever. The FIGURE is a front view of a display screen with graphical user interface, showing the new design. The broken lines shown in the figure are environmental only and form no part of the claimed design. The broken lines showing text form no part of the claimed design. The outer rectangle in broken lines is included to illustrate a portion of a display screen and forms no part of the claimed design. Hatched shading indicates a contrast in appearance.

**1 Claim, 1 Drawing Sheet**



(56)

**References Cited**

U.S. PATENT DOCUMENTS

D928,810 S \* 8/2021 Hubbard ..... D14/485  
2018/0039399 A1 2/2018 Kaltegaertner et al.  
2018/0129513 A1 5/2018 Gloystein et al.

\* cited by examiner

Database **Parts** Materials Suppliers Customized for ACME Corp Use Saved Search

Parts

Criteria **Part Characteristics** ACME Corp Clear Form 133 Results Search

Part Type

Style Machine  Yes  No  Head Style  Shank Style  Thread Style

Alterations Chamfered  Yes  No  Drilled  Yes  No  Holes  None  1 Hole  6 Holes

Dimensions Approx Mass LB/100  -   L  -   K  -   N Min  -   OF Min  -

Add Fields

Materials AMS Spec   Alloys  None  Cobalt-Nickel  Nickel

UNS Number   CRCS  Yes  No  Stress Rupture Resistant  Yes  No  Silver Plated  Yes  No  PSI Tolerances  -

ACME Corp Required by STP  Yes  No  Inventory  Yes  No  Part Supplier

Bolt, Machine, Double Hexagon Extended Washer Head, Drilled: No, Approx Mass LB/100: 10.69, L: 1.265-1.9, K: .248, N Min: .188, AMS5711, UNS R30159, CRCS, Stress Rupture Resistant, 60 PSI, Required by STP, In Inventory. 133 Results Search