



US00D950574S

(12) **United States Design Patent**
Duckworth et al.

(10) **Patent No.:** **US D950,574 S**
(45) **Date of Patent:** **** May 3, 2022**

(54) **SCANNING DEVICE OR PORTION THEREOF WITH A SCANNING USER INTERFACE**

D883,303 S * 5/2020 Xue G05B 19/418
D14/485
10,642,282 B2 * 5/2020 Kichkaylo G05B 19/418
10,691,469 B2 * 6/2020 Kane H04L 67/42
10,713,929 B2 * 7/2020 Kim A61B 5/00
(Continued)

(71) Applicant: **Capital One Services, LLC**, McLean, VA (US)

FOREIGN PATENT DOCUMENTS

(72) Inventors: **Staevan Duckworth**, The Colony, TX (US); **Jonathan Castaneda**, Plano, TX (US); **Susie Lee**, Vienna, VA (US)

CN 304549347 * 3/2018

(73) Assignee: **CAPITAL ONE SERVICES, LLC**, McLean, VA (US)

OTHER PUBLICATIONS

(**) Term: **15 Years**

Zaharov-Reutt, Alex. "Redbubble delivers iOS 11 AR app to bring artwork to life in your home." iTWire, published Sep. 19, 2017 (Retrieved from the Internet Jul. 22, 2020). Internet URL: <https://www.itwire.com/home-it/redbubble-delivers-ios-11-ar-app-to-bring-artwork-to-life-in-your-home.html> (Year: 2017).*

(21) Appl. No.: **29/667,649**

(Continued)

(22) Filed: **Oct. 23, 2018**

(51) **LOC (13) Cl.** **14-04**

Primary Examiner — Rachel A. Voorhies

(52) **U.S. Cl.**
USPC **D14/485**

(74) *Attorney, Agent, or Firm* — Hunton Andrews Kurth LLP

(58) **Field of Classification Search**
USPC D14/485–495
CPC G06Q 10/063114; H04N 1/00477; G11B 27/34; G06F 3/0484; G06F 3/048; G05B 19/418

(57) **CLAIM**

See application file for complete search history.

The ornamental design for a scanning device or portion thereof with a scanning user interface, as shown and described.

(56) **References Cited**

DESCRIPTION

U.S. PATENT DOCUMENTS

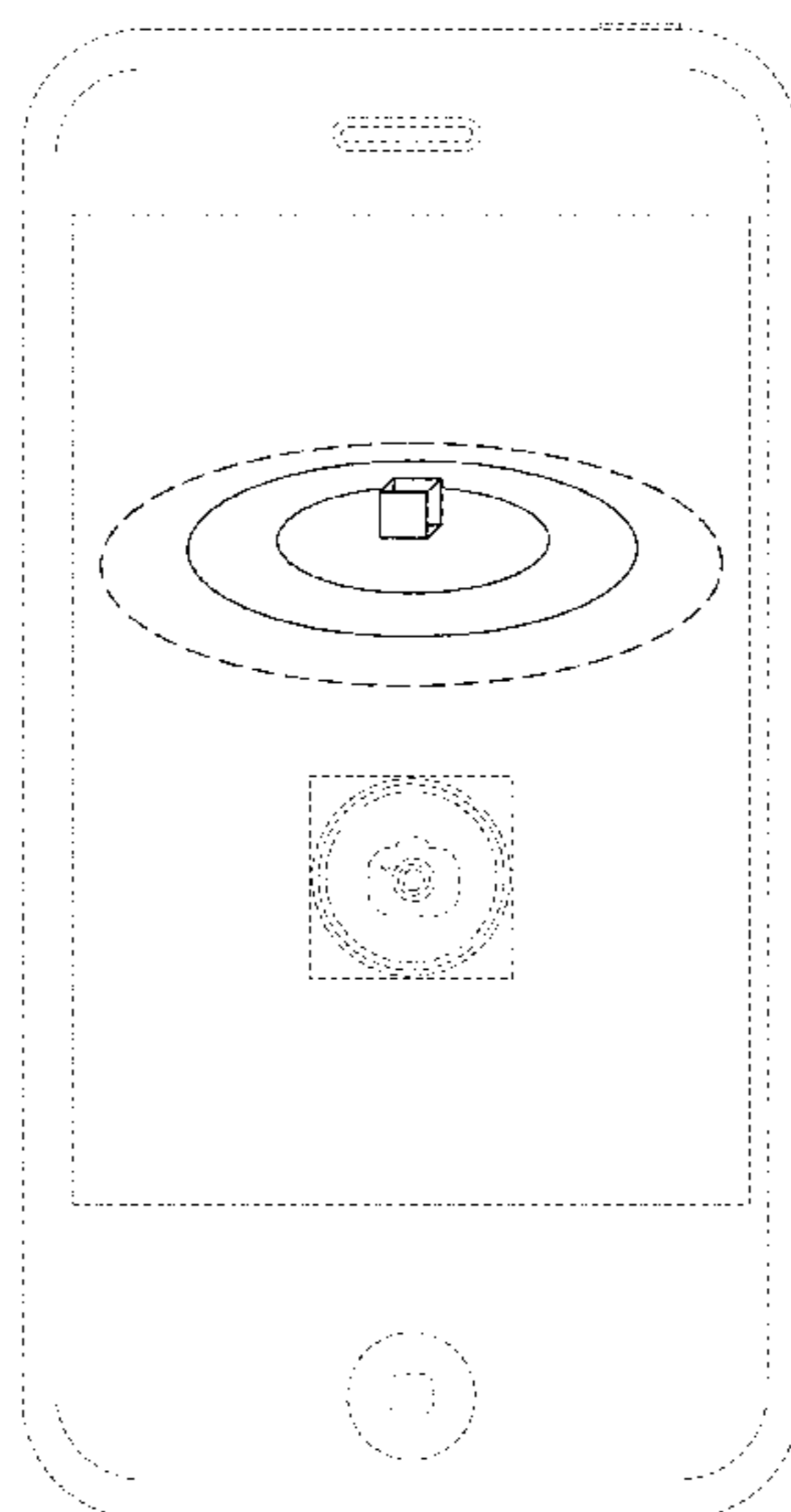
D587,724 S * 3/2009 Onai D14/486
D607,893 S * 1/2010 Kanga D14/485
D744,506 S * 12/2015 Downing D14/486
D758,395 S * 6/2016 Gutierrez D14/486
D764,502 S * 8/2016 Dimmler D14/486
D768,646 S * 10/2016 Master G08B 21/0236
D14/485
D812,077 S * 3/2018 Watanabe G06F 16/00
D14/486
D816,703 S * 5/2018 Willis G01C 23/00
D14/486
D857,059 S * 8/2019 Taylor D14/489

The sole FIGURE is a front view of a scanning device or portion thereof with a scanning user interface showing the claimed design;

The elongated dashed lines forming the outermost concentric circle of the scanning target in the sole FIGURE are included in the claimed design; and

The broken lines in the sole FIGURE forming other elements of a scanning device or portion thereof with a scanning user interface illustrate environmental subject matter that forms no part of the claimed design.

1 Claim, 1 Drawing Sheet



(56)

References Cited

U.S. PATENT DOCUMENTS

D894,910 S * 9/2020 Pazmino D14/485
 D895,664 S * 9/2020 Baber D14/488
 10,834,478 B2 * 11/2020 Newell G11B 27/34
 10,839,572 B2 * 11/2020 Church G06F 3/04815
 D907,655 S * 1/2021 Adachi D14/486
 10,891,044 B1 * 1/2021 Corsin G06F 3/04883
 10,909,758 B2 * 2/2021 Bell G06T 13/80
 10,911,906 B2 * 2/2021 Kane G06F 15/167
 D925,586 S * 7/2021 Saito G06F 15/167
 D14/488
 11,163,417 B2 * 11/2021 Hauenstein G06F 3/011
 2007/0182590 A1 * 8/2007 Younkin G01C 23/00
 340/973
 2011/0238690 A1 * 9/2011 Arrasvuori G06F 16/00
 707/769
 2014/0173439 A1 * 6/2014 Gutierrez G08B 21/0236
 715/727
 2014/0282132 A1 * 9/2014 Daly, IV G06F 3/0484
 715/763
 2016/0116977 A1 * 4/2016 Goldman-Shenhar
 G06F 3/013
 345/156
 2018/0321904 A1 * 11/2018 Bailey H04R 3/04
 2020/0293175 A1 * 9/2020 Fair G06F 3/04815
 2021/0092321 A1 * 3/2021 Li G11B 27/34

OTHER PUBLICATIONS

Kamali, Seyed Morteza. "Answer: c#-Draw circle around game object to indicate radius." Stack Exchange, published Jul. 31, 2016 (Retrieved from the Internet Jul. 22, 2020). Internet URL: <<https://gamedev.stackexchange.com/posts/126429/revisions>> (Year: 2016).*

ZinetroN. "Futuristic Medical Hud Interface . . ." Can Stock Photo, published Apr. 10, 2018 (Retrieved from the Internet Nov. 25, 2020). Internet URL: <<https://www.canstockphoto.com/futuristic-medical-hud-interface-56460294.html>> (Year: 2018).*

Kumar, Sathish V. "AR Furniture App." Dribbble, published Sep. 19, 2018 (Retrieved from the Internet Jan. 22, 2021). Internet URL: <<https://dribbble.com/shots/5277263-AR-Furniture-App>> (Year: 2018).*

Pixelescope. "Krita Assistant Tool [Part 2]: Spline, Ellipse, Concentric Ellipse and Perspective." YouTube, published Dec. 4, 2017 (Retrieved from the Internet Jun. 25, 2021). Internet URL: <<https://www.youtube.com/watch?v=shGV4sH8xbw>> (Year: 2017).*

"Assembling IKEA's new AR app, with out a manual." Space10, published Dec. 21, 2017 (Retrieved from the Internet Jun. 23, 2021). Internet URL: <<https://medium.com/space10/assembling-ikeas-new-ar-app-without-a-manual-c74c09d0488d>> (Year: 2017).*

Kumar, Sathish. "AR Furniture App." Dribbble, published Sep. 19, 2018 (Retrieved from the Internet Jan. 22, 2021). Internet URL: <<https://dribbble.com/shots/5277263-AR-Furniture-App>> (Year: 2018).*

Charlier, Martin. "Interface and interaction design." O'Reilly, published Sep. 27, 2015 (Retrieved from the Internet Nov. 18, 2021). Internet URL: <<https://www.oreilly.com/content/interface-and-interaction-design/>> (Year: 2015).*

* cited by examiner

