



US00D950572S

(12) **United States Design Patent** (10) **Patent No.:** **US D950,572 S**
Song (45) **Date of Patent:** **** May 3, 2022**

(54) **USB SHELL**
(71) Applicant: **Keyong Song**, Zhejiang (CN)
(72) Inventor: **Keyong Song**, Zhejiang (CN)
(**) Term: **15 Years**
(21) Appl. No.: **29/756,212**
(22) Filed: **Oct. 27, 2020**

D574,822 S *	8/2008	Bhavnani	D10/2
D579,933 S *	11/2008	Deguchi	D14/480.1
D579,934 S *	11/2008	Okamoto	D14/435.1
D601,093 S *	9/2009	Wu	D14/435.1
D624,551 S *	9/2010	Cohen	D14/480.5
D624,925 S *	10/2010	Lu	D14/480.7
D669,904 S *	10/2012	Ni	D14/480.7
D689,503 S *	9/2013	Wu	D14/480.5
D905,693 S *	12/2020	Xie	D14/435.1
D908,711 S *	1/2021	Zhou	D14/480.7
D917,479 S *	4/2021	Deng	D14/388

* cited by examiner

(30) **Foreign Application Priority Data**

Oct. 12, 2020 (CN) 202030604846.2

(51) **LOC (13) Cl.** **14-02**

(52) **U.S. Cl.**
USPC **D14/480.1**

(58) **Field of Classification Search**
USPC D14/480.1-480.7, 435.1, 411, 433, 436,
D14/484.1, 137, 155, 203.1-203.8, 240,
D14/242, 496, 474; D13/133, 154
CPC H05K 5/0278; G06K 19/07732
See application file for complete search history.

(56) **References Cited**

U.S. PATENT DOCUMENTS

D489,688 S *	5/2004	Jiang	D14/435.1
D548,233 S *	8/2007	Loftus	D14/480.5

Primary Examiner — Angela J Lee

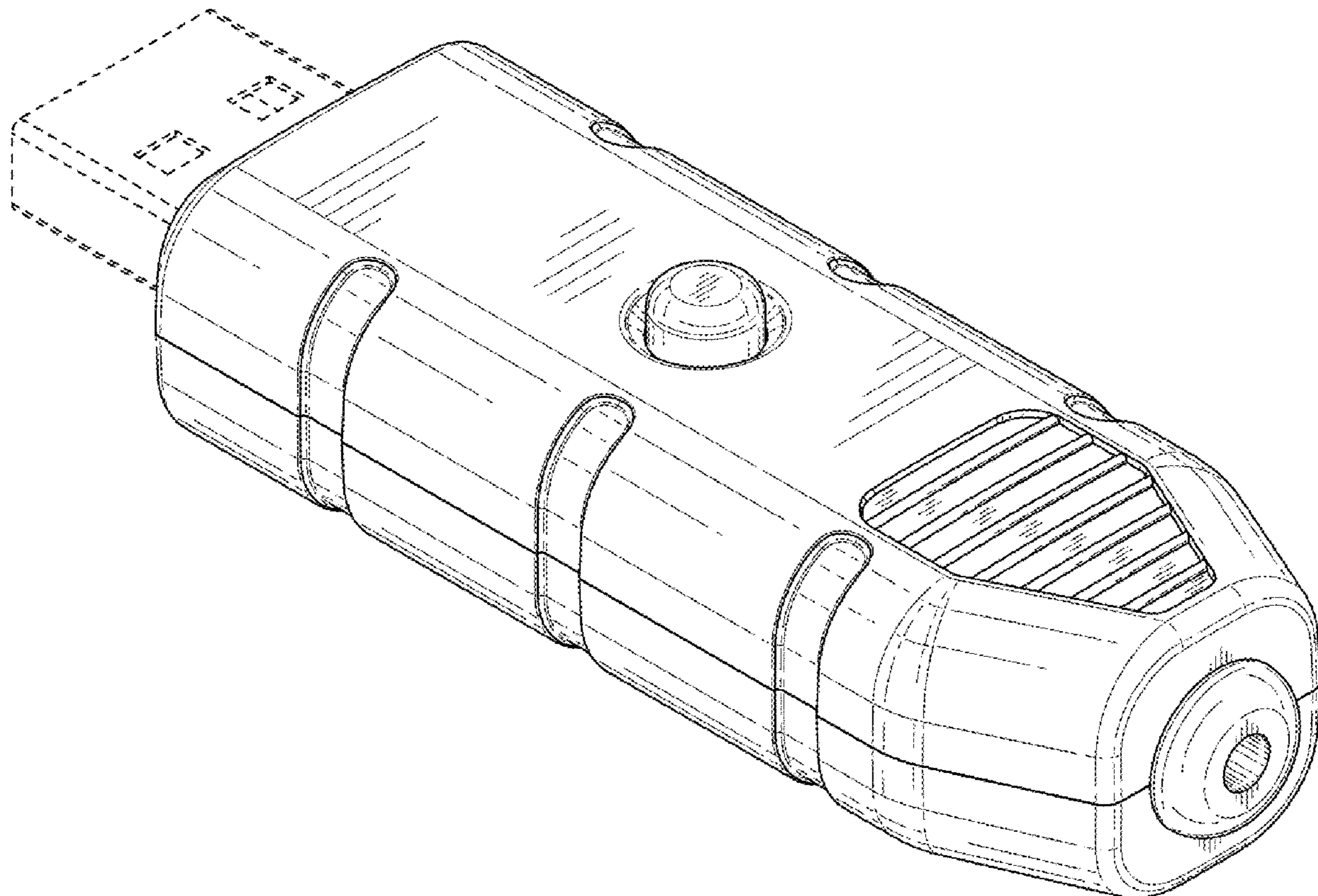
(57) **CLAIM**

The ornamental design for a USB shell, as shown and described.

DESCRIPTION

FIG. 1 is a perspective view of a USB shell showing my new design;
FIG. 2 is a front view thereof;
FIG. 3 is a back view thereof;
FIG. 4 is a left view thereof;
FIG. 5 is a right view thereof;
FIG. 6 is a top view thereof; and,
FIG. 7 is a bottom view thereof.
The broken lines shown on the drawings depict portions of the USB shell that form no part of the claimed design.

1 Claim, 7 Drawing Sheets



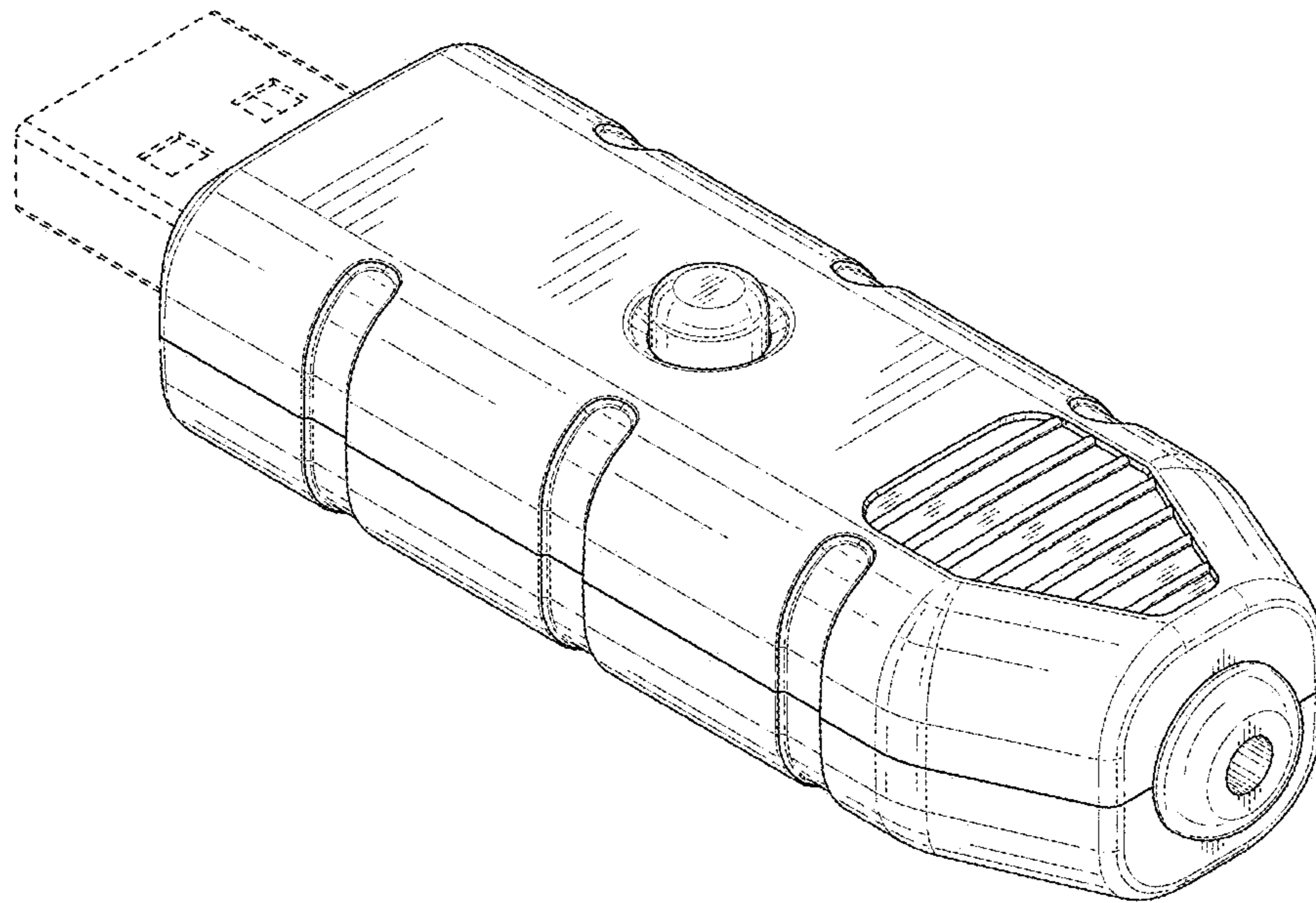


FIG.1

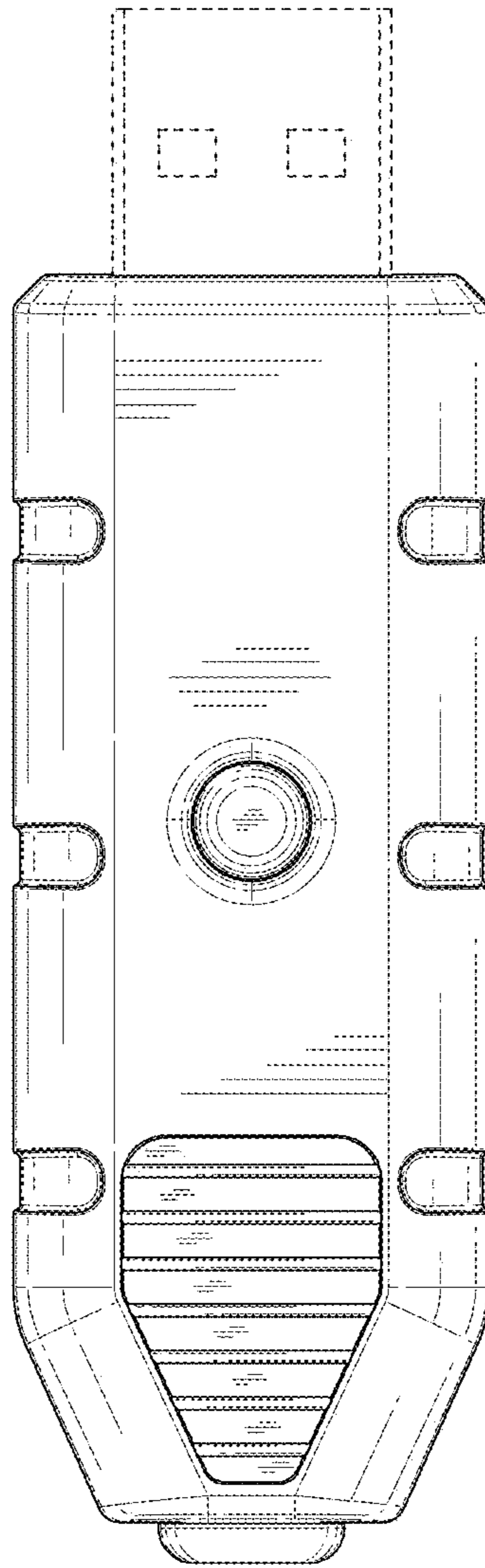


FIG. 2

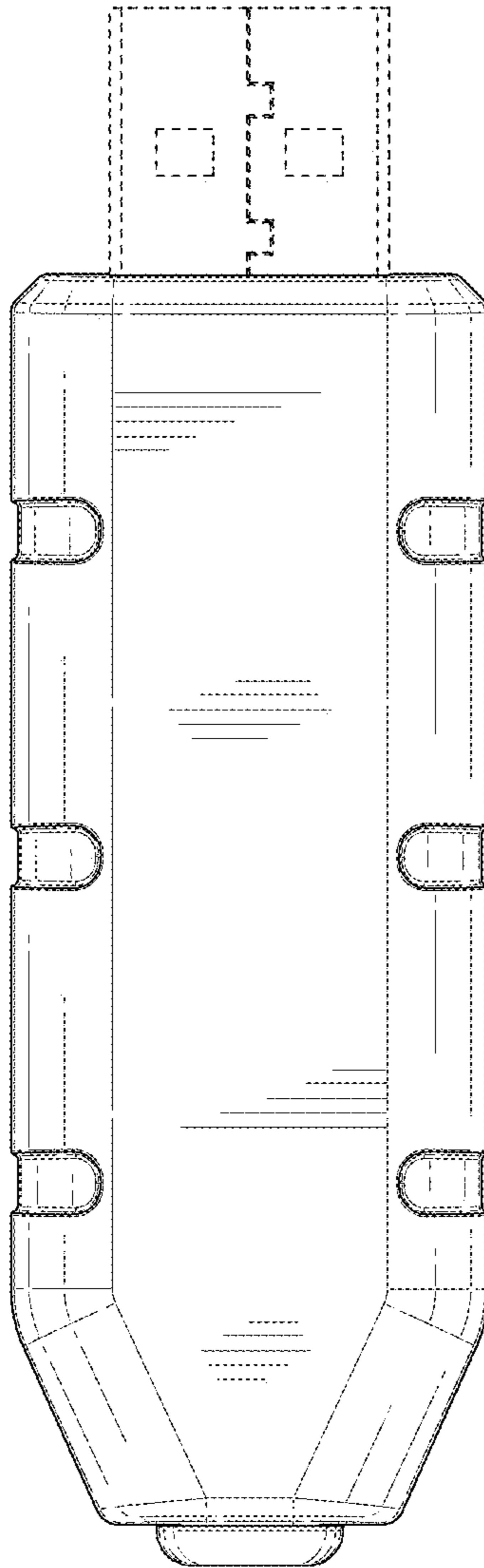


FIG.3

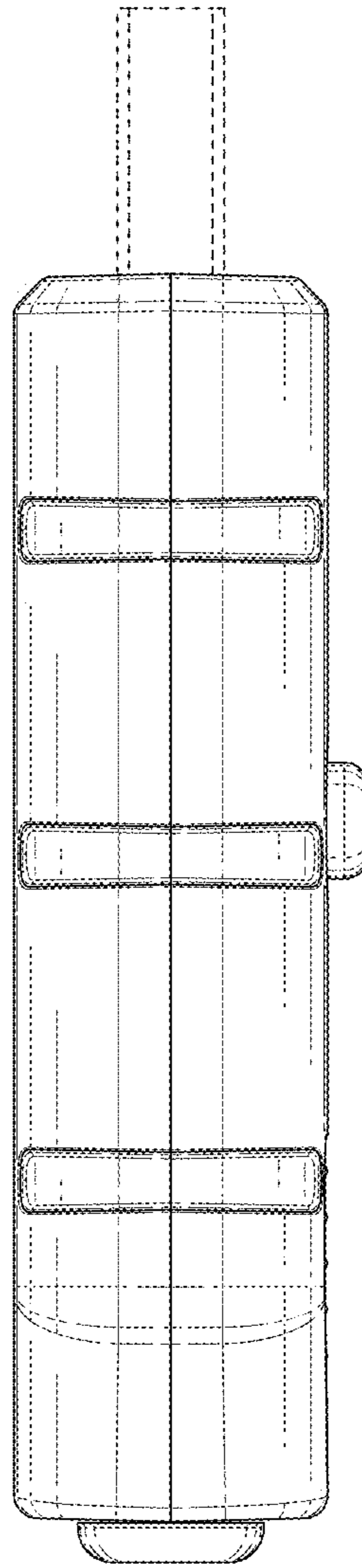


FIG.4

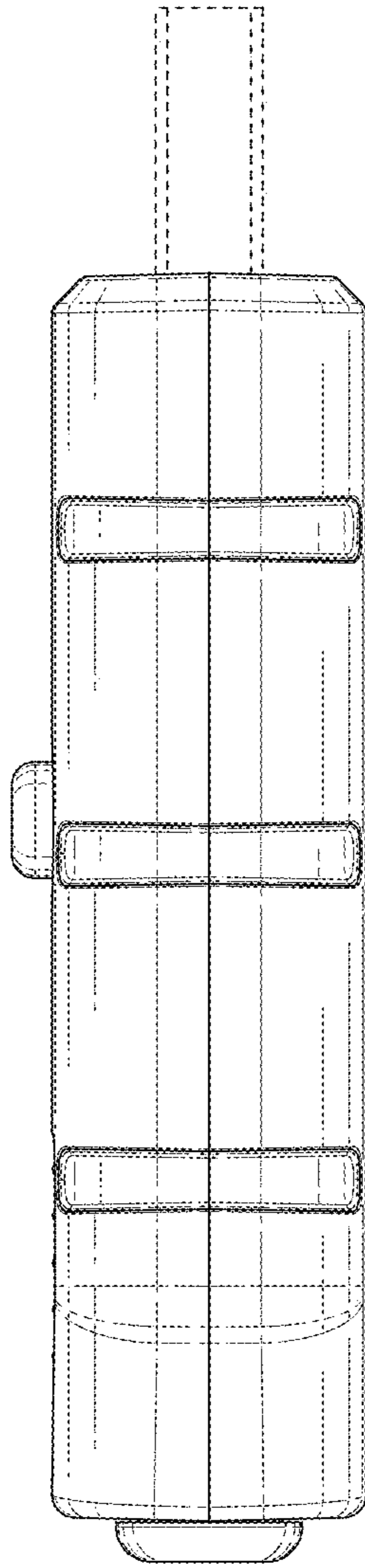


FIG.5

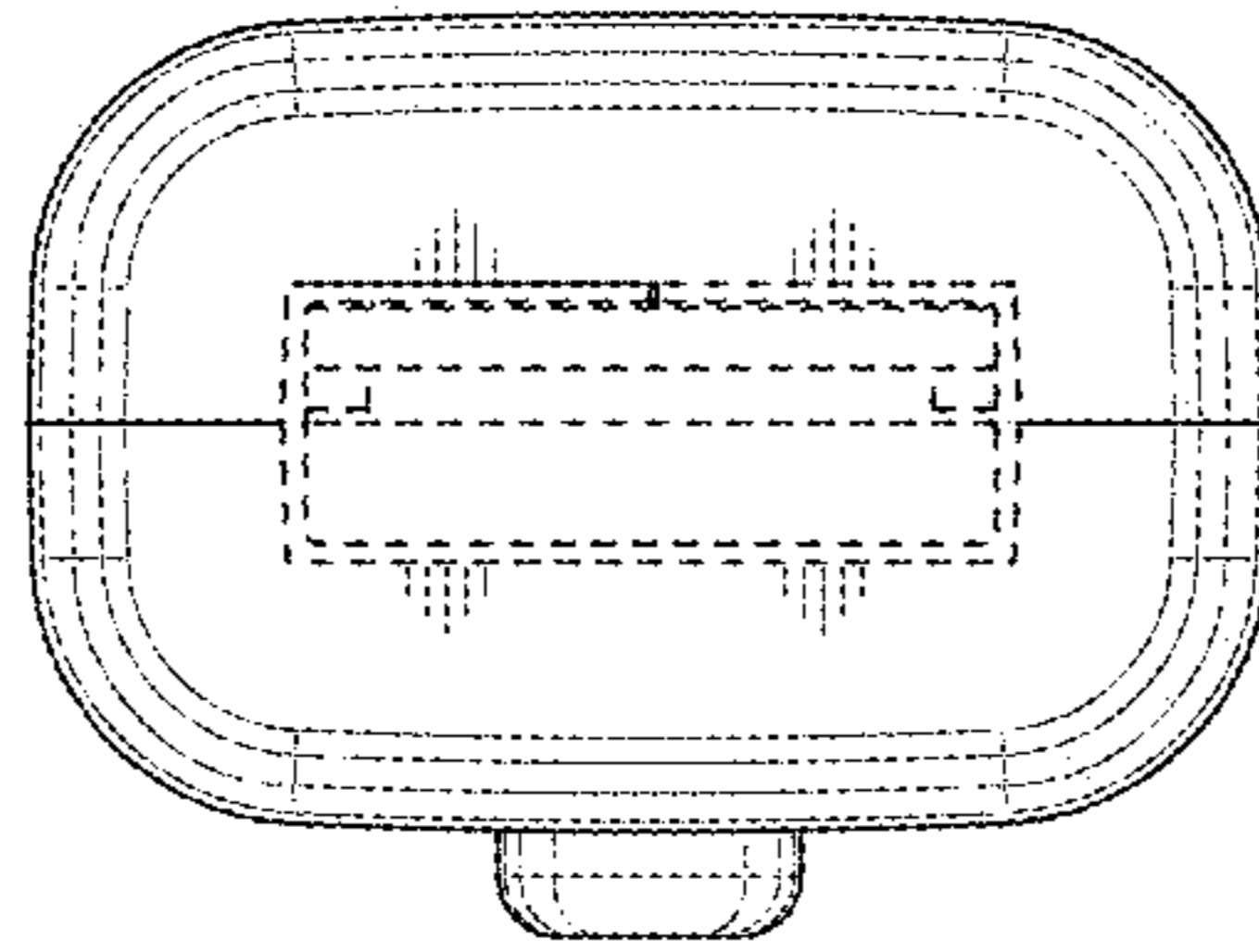


FIG.6

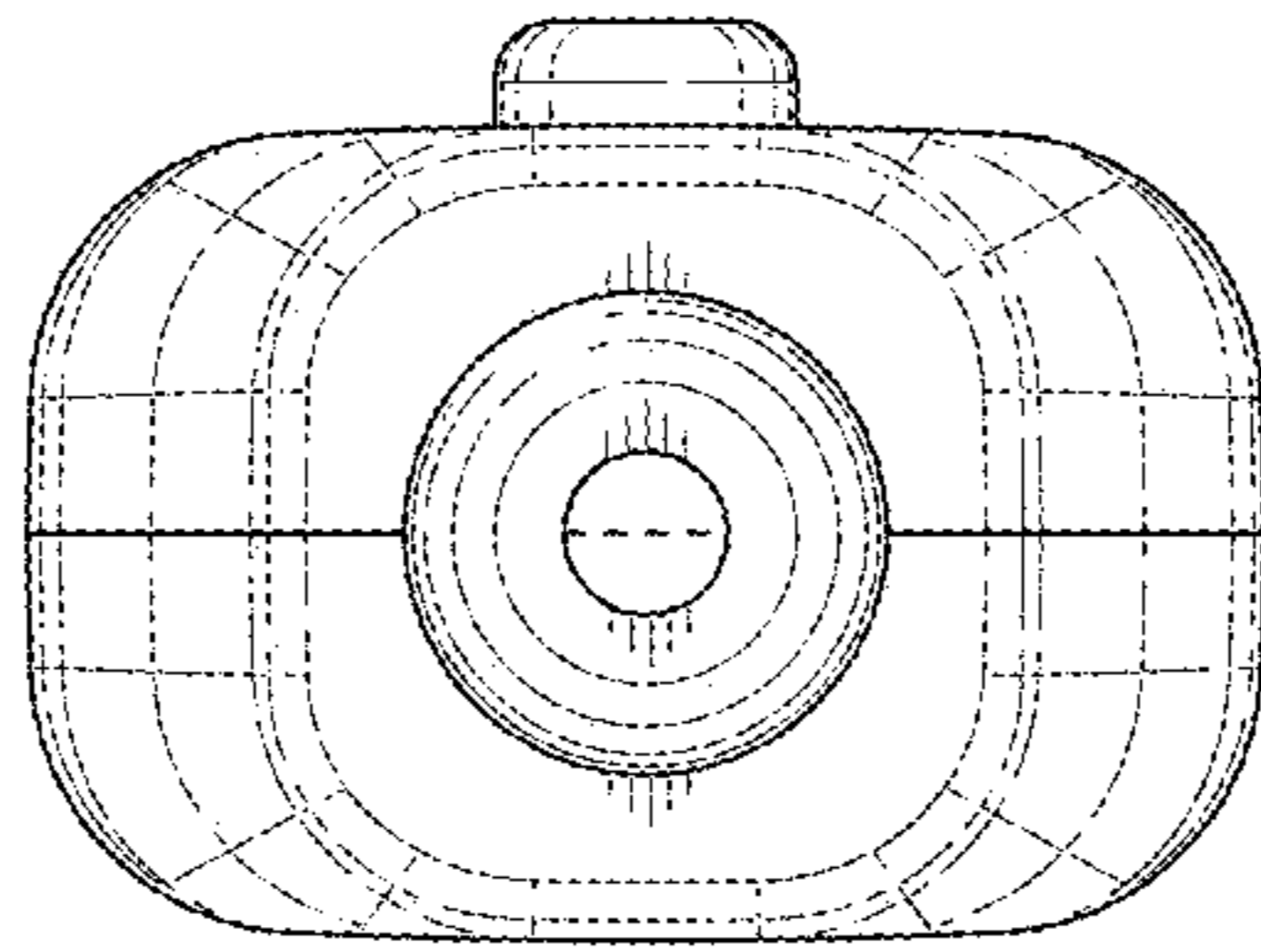


FIG.7