

US00D950569S

(12) **United States Design Patent** (10) **Patent No.:** **US D950,569 S**
Xiong (45) **Date of Patent:** **** May 3, 2022**

(54) **LAPTOP STAND**

(71) Applicant: **SHENZHEN DIRECT INDUSTRIAL DESIGN CO., LTD**, Shenzhen (CN)

(72) Inventor: **Ying Xiong**, Shenzhen (CN)

(73) Assignee: **SHENZHEN DIRECT INDUSTRIAL DESIGN CO., LTD**, Shenzhen (CN)

(**) Term: **15 Years**

(21) Appl. No.: **29/758,701**

(22) Filed: **Nov. 18, 2020**

(51) **LOC (13) Cl.** **08-07**

(52) **U.S. Cl.**
USPC **D14/447**

(58) **Field of Classification Search**
USPC D14/447, 432, 434, 439, 440, 451, 452,
D14/457, 239, 253; D8/363, 373, 380;
D6/406.3, 406.4, 406.5, 406.6; D12/415;
D21/333, 332
CPC A47B 21/04; A47B 2097/006; A47B
2097/005; A47B 2023/049; A45C
2011/002; A45C 2011/003; F16M
2200/00; F16M 13/00

See application file for complete search history.

(56) **References Cited**

U.S. PATENT DOCUMENTS

D792,417 S * 7/2017 Xiang D14/447
D838,724 S * 1/2019 Olander F16M 11/38
D14/447
D898,748 S * 10/2020 Ma D14/447
D902,936 S * 11/2020 Hong D14/447

D904,416 S * 12/2020 Xu D14/447
D921,642 S * 6/2021 Hong D14/447
D930,655 S * 9/2021 Lin D14/447
D937,279 S * 11/2021 Zhang D14/447
2018/0252353 A1* 9/2018 Hou F16M 11/38

OTHER PUBLICATIONS

https://www.amazon.com/Nulaxy-Portable-Computer-Adjustment-Collapsible/dp/B07W6KQR87/ref=sr_1_18?keywords=folding%2Blaptop%2Bstand&qid=1638910259&sr=8-18&th=1, Aug. 7, 2019 (Year: 2019).*

* cited by examiner

Primary Examiner — Angela J Lee

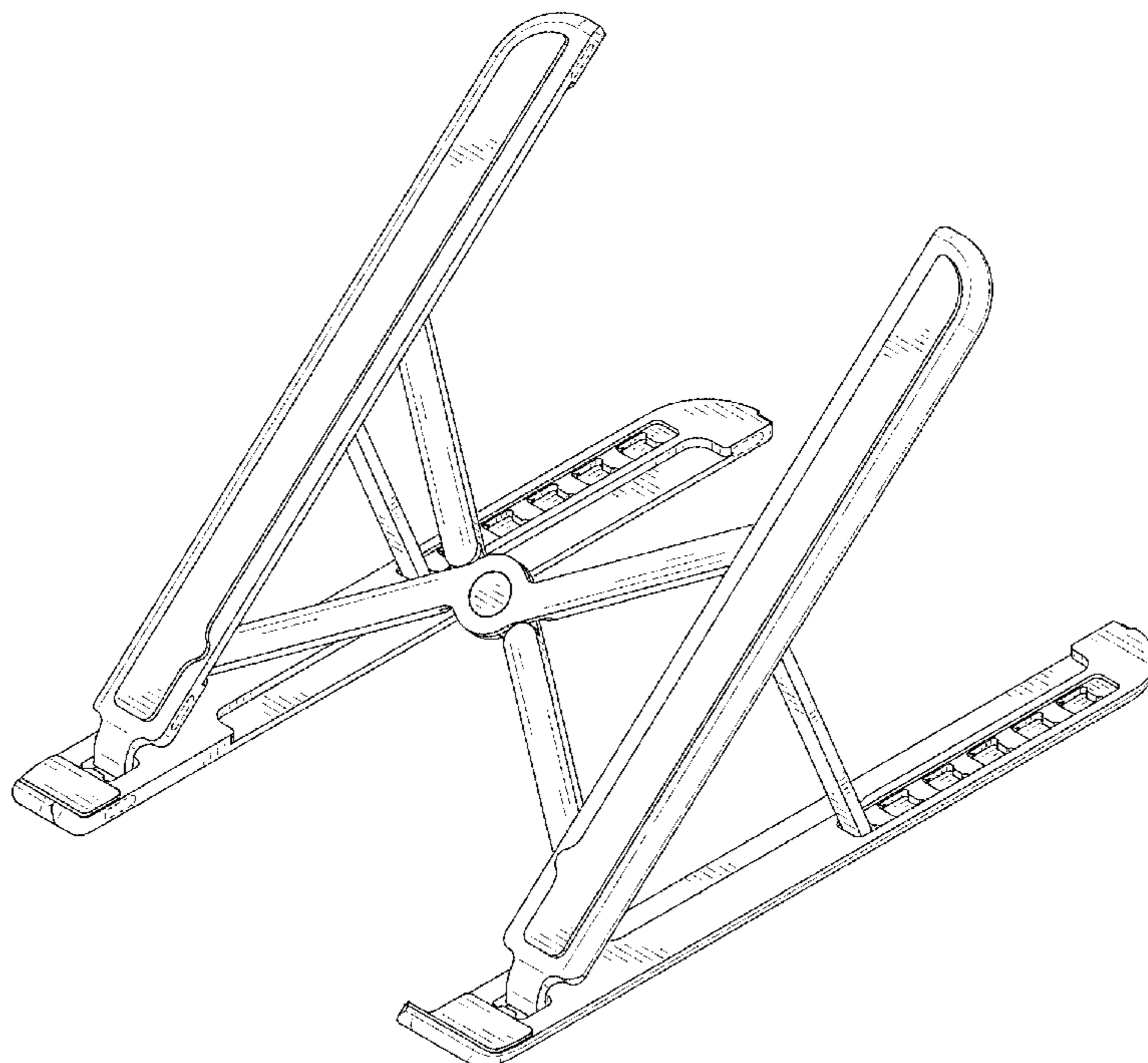
(57) **CLAIM**

The ornamental design for a laptop stand, as shown and described.

DESCRIPTION

FIG. 1 is a perspective view of a laptop stand showing my new design;
FIG. 2 is another perspective view thereof;
FIG. 3 is a front elevational view thereof;
FIG. 4 is a rear elevational view thereof;
FIG. 5 is a left side elevational view thereof;
FIG. 6 is a right side elevational view thereof;
FIG. 7 is a top plan view thereof;
FIG. 8 is a bottom plan view thereof; and,
FIG. 9 is a perspective view of the laptop stand where the laptop stand is in a folded state.
The broken lines in the drawings depict portions of the laptop stand that form no part of the claimed design.

1 Claim, 9 Drawing Sheets



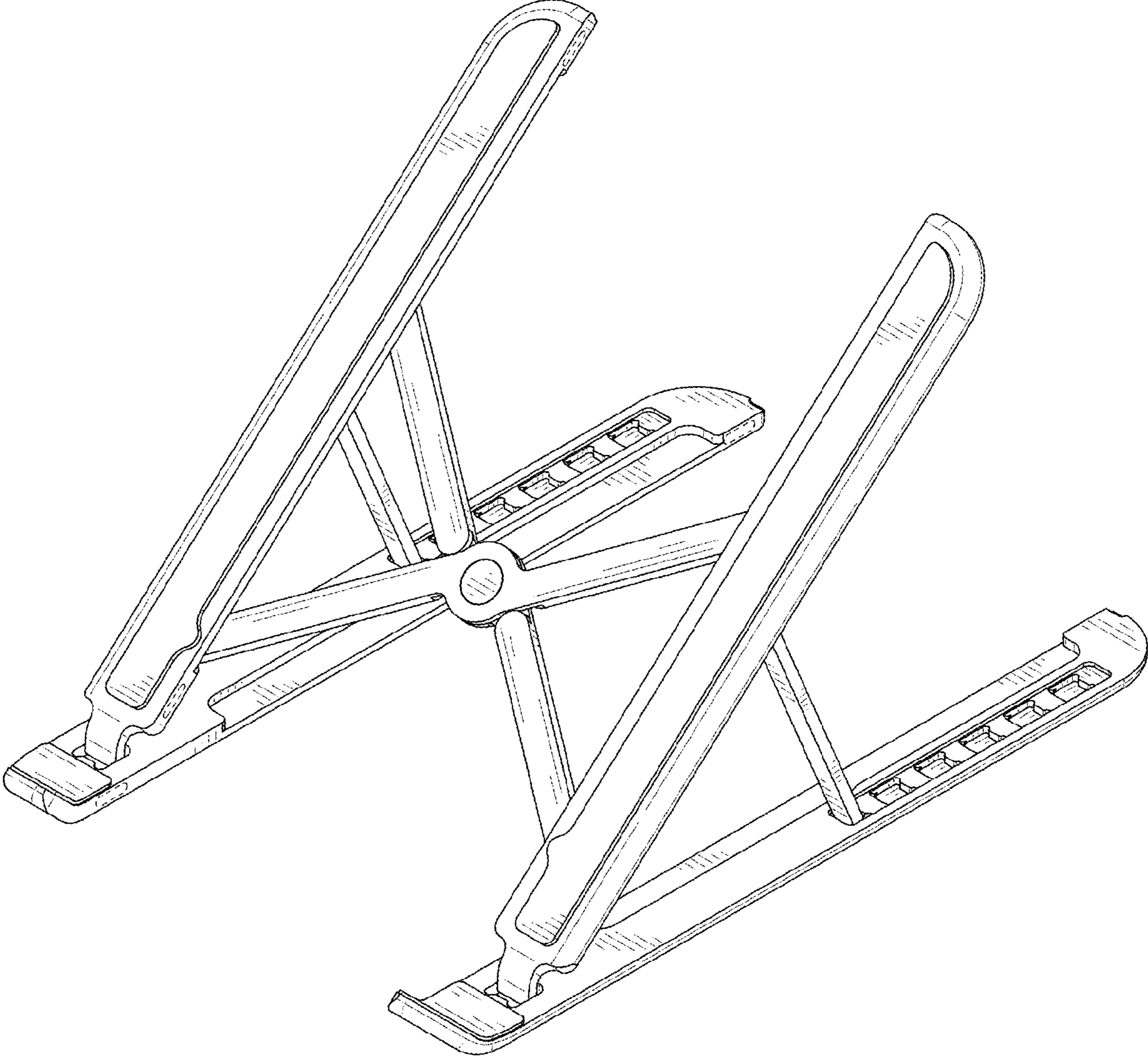


FIG. 1

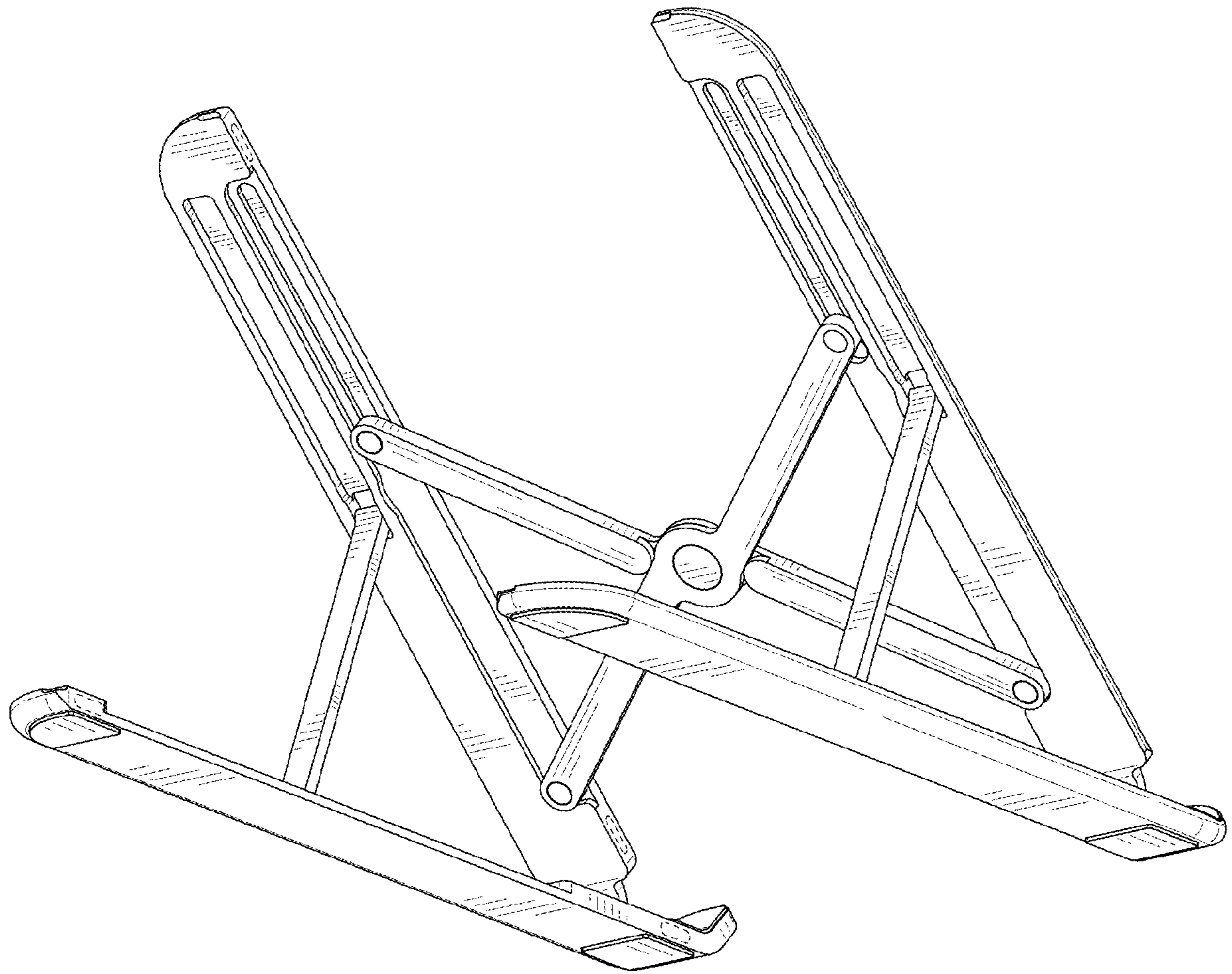


FIG. 2

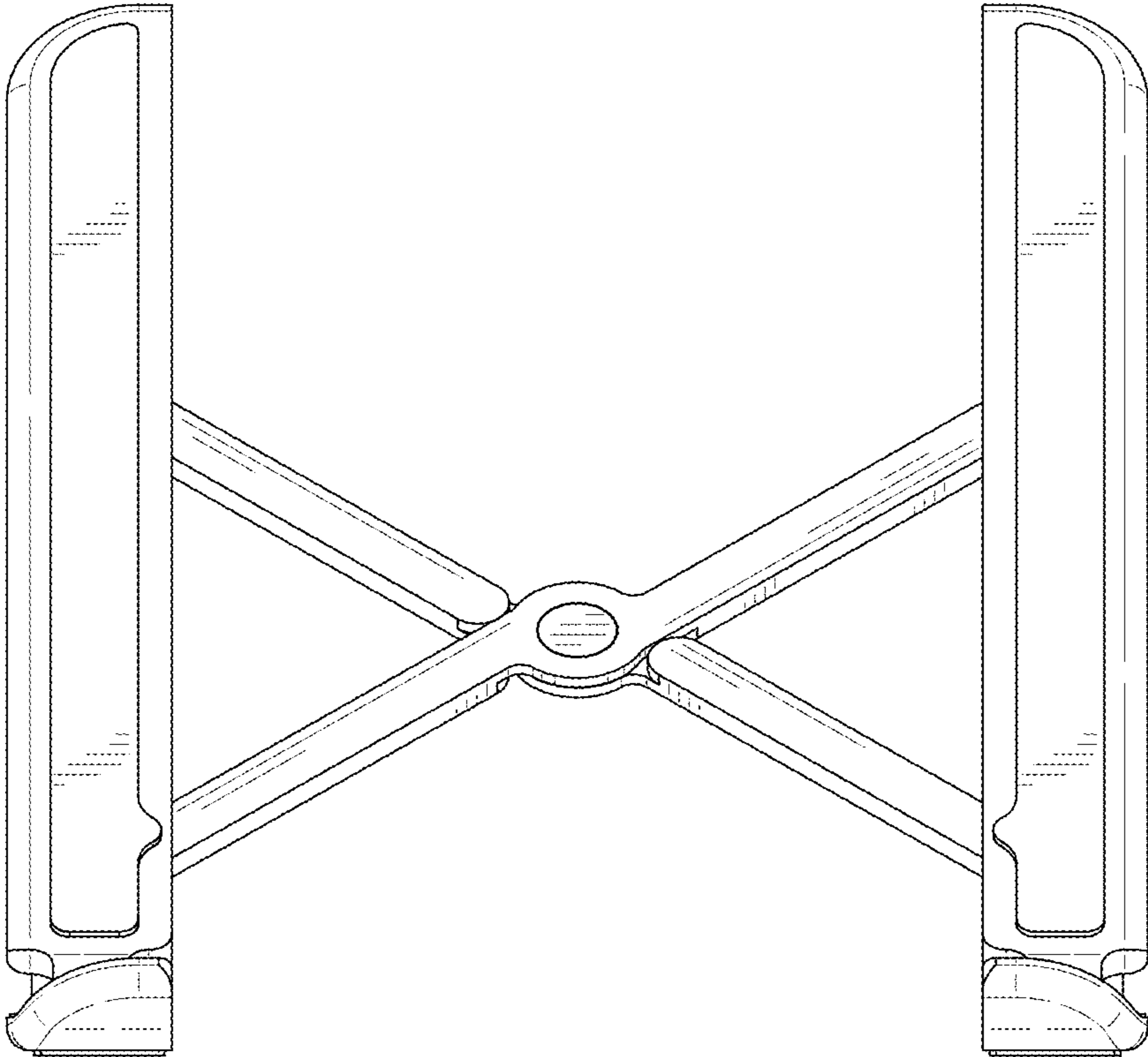


FIG. 3

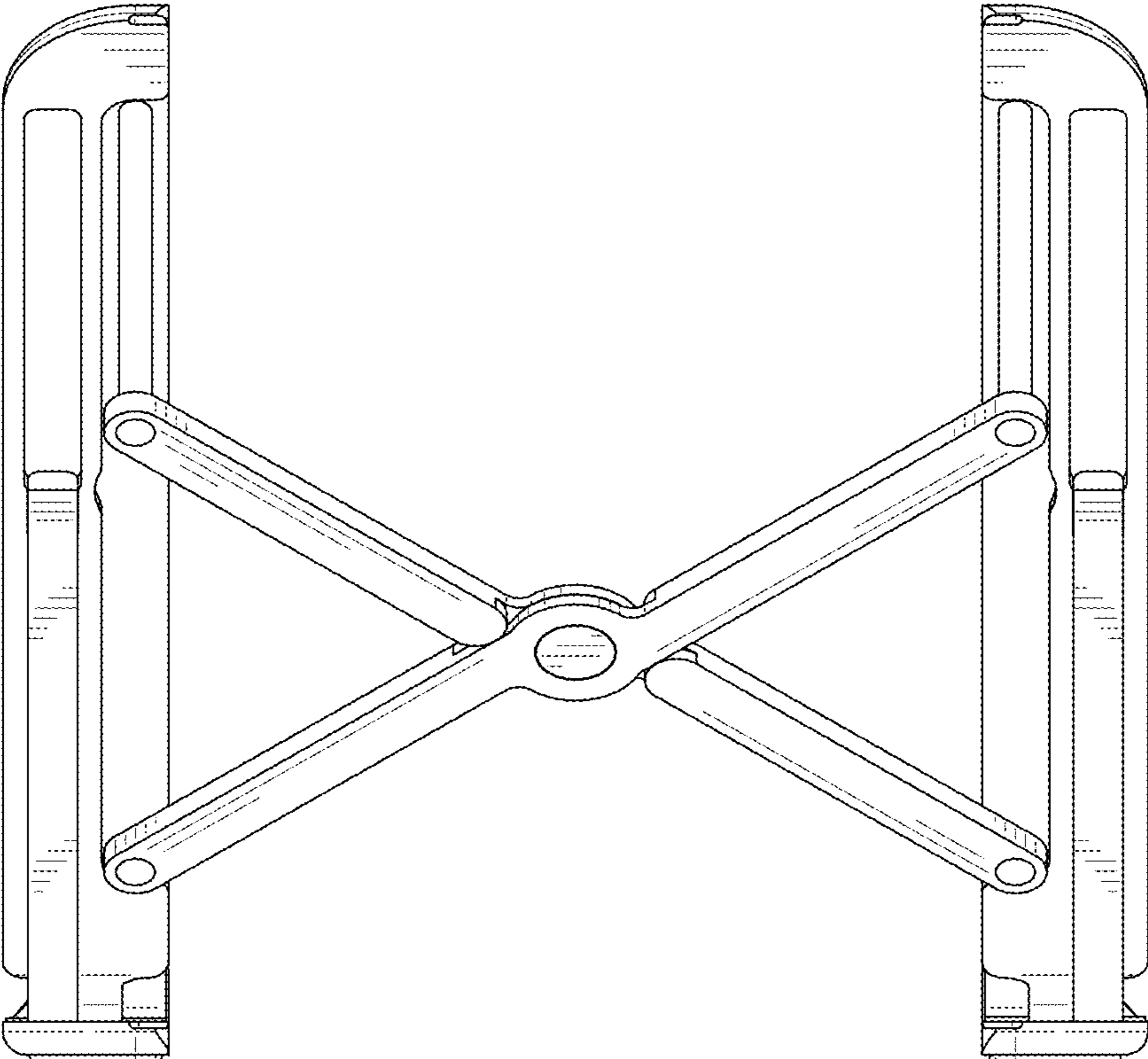


FIG. 4

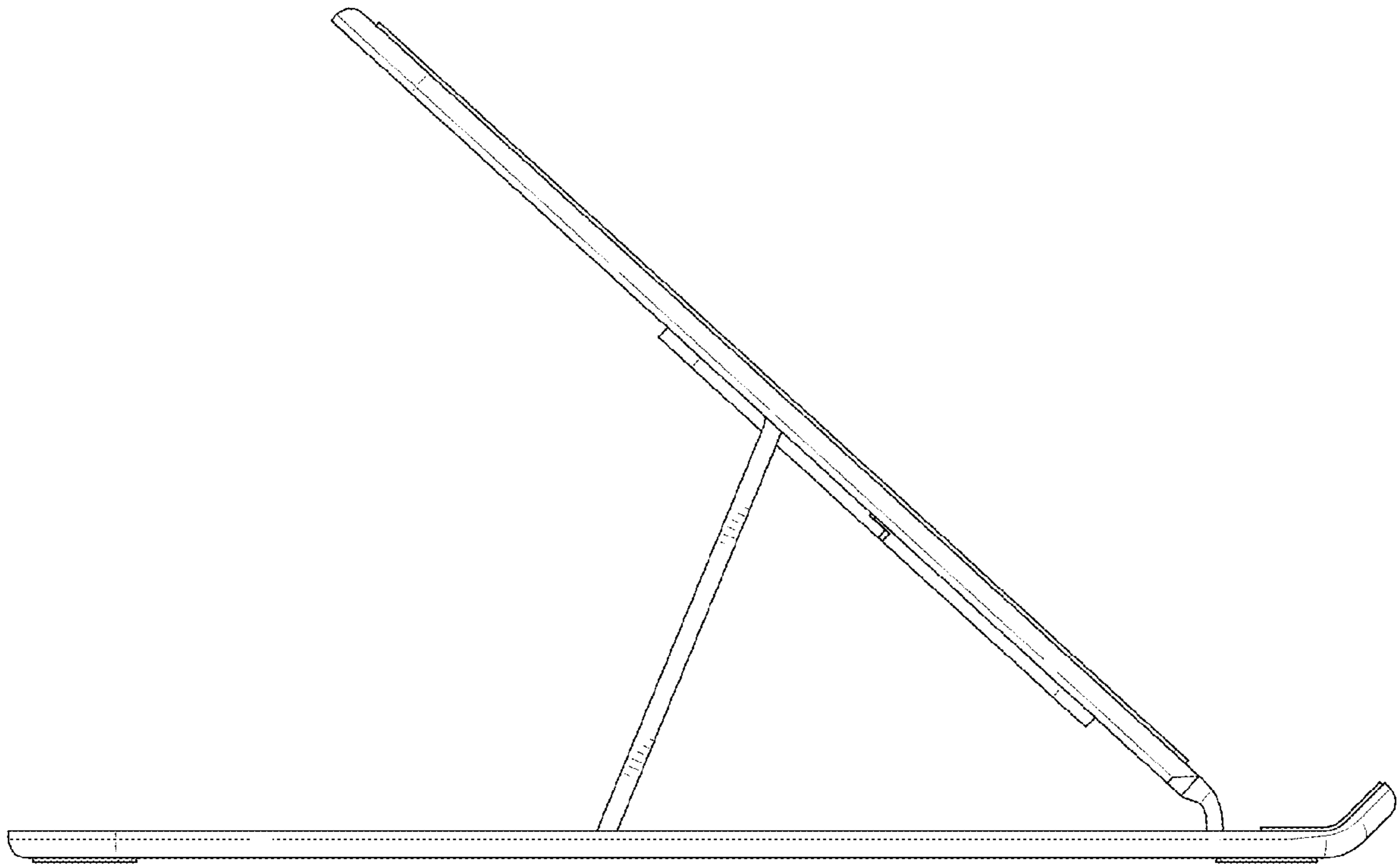


FIG. 5

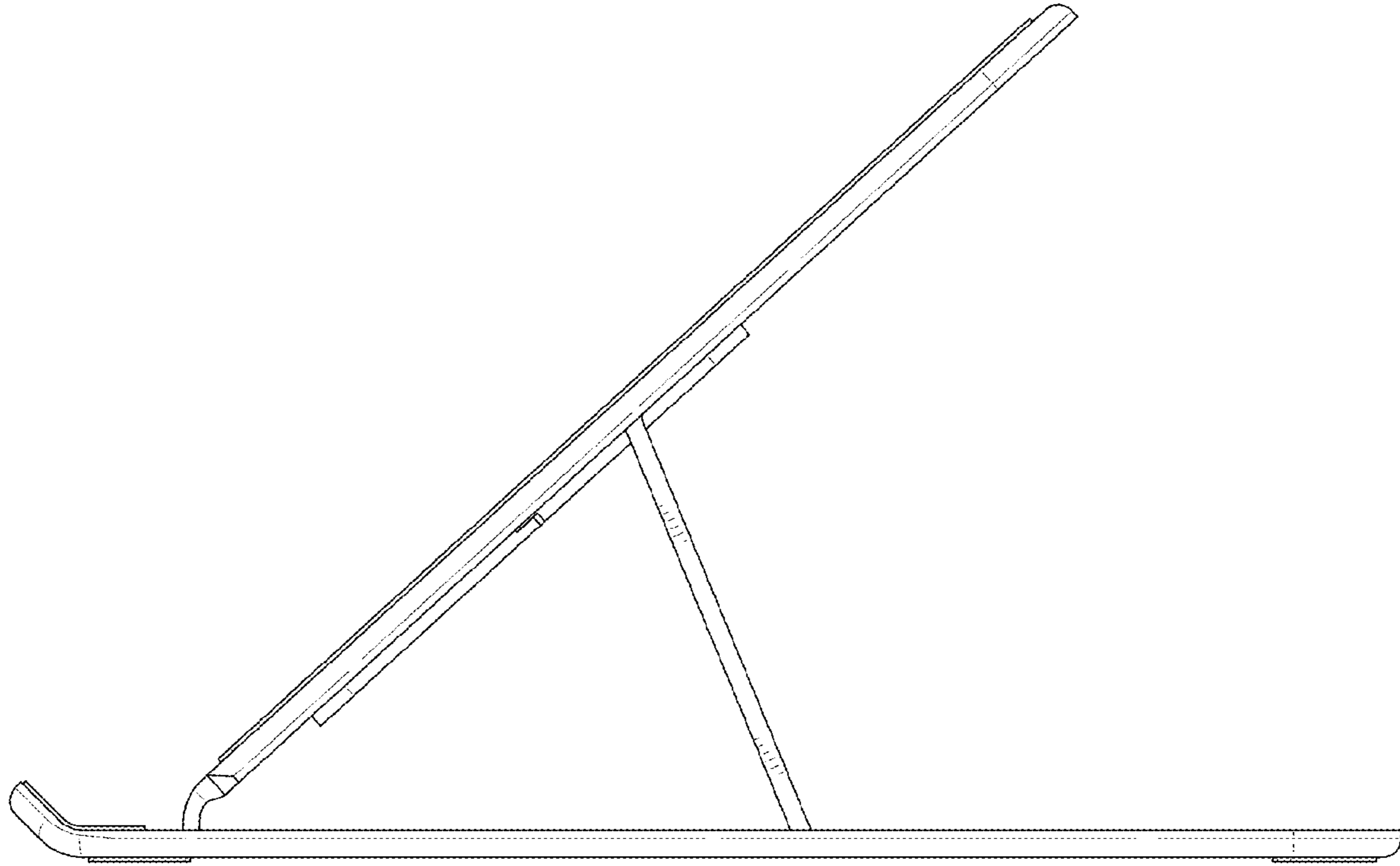


FIG. 6

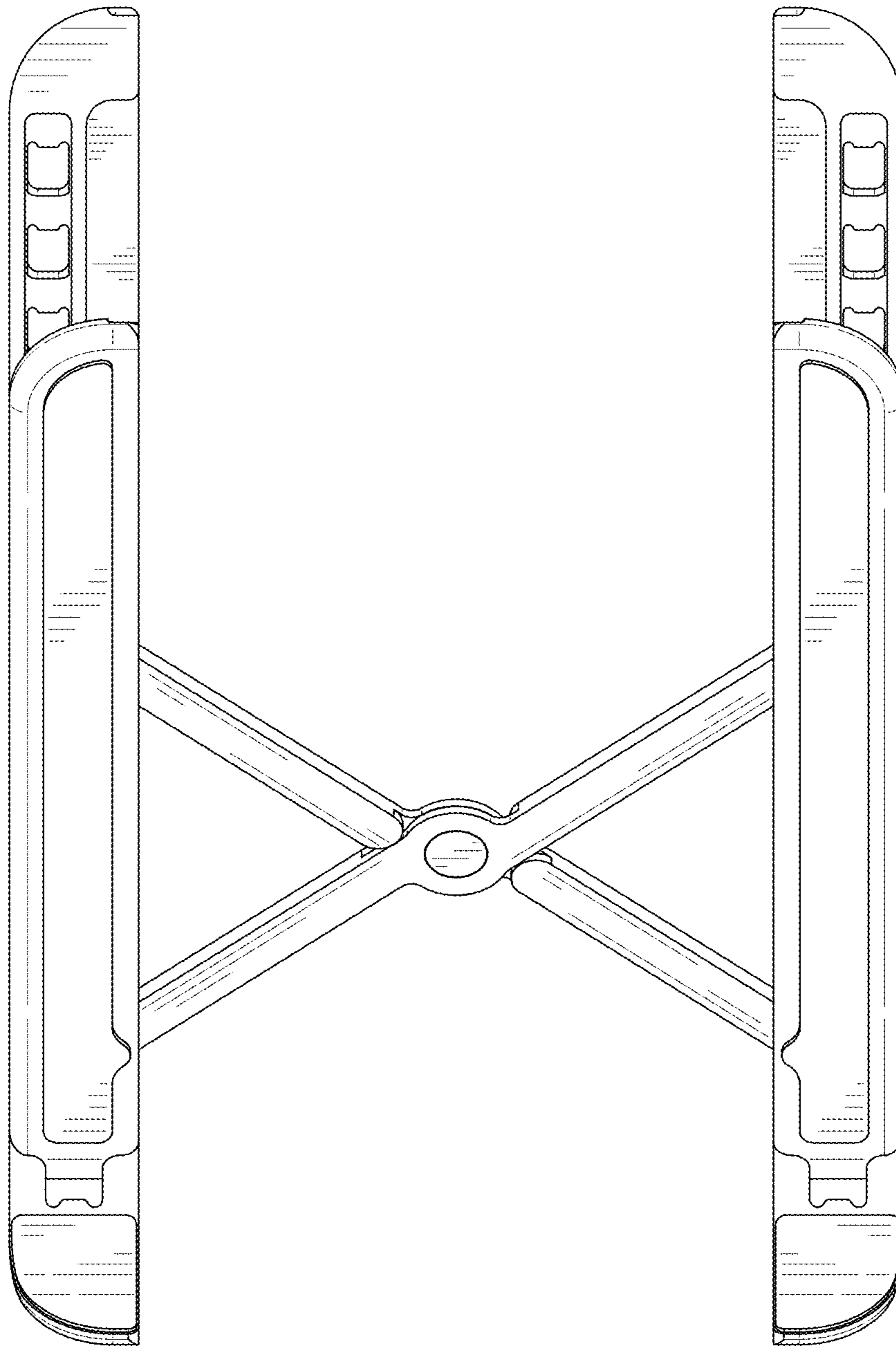


FIG. 7

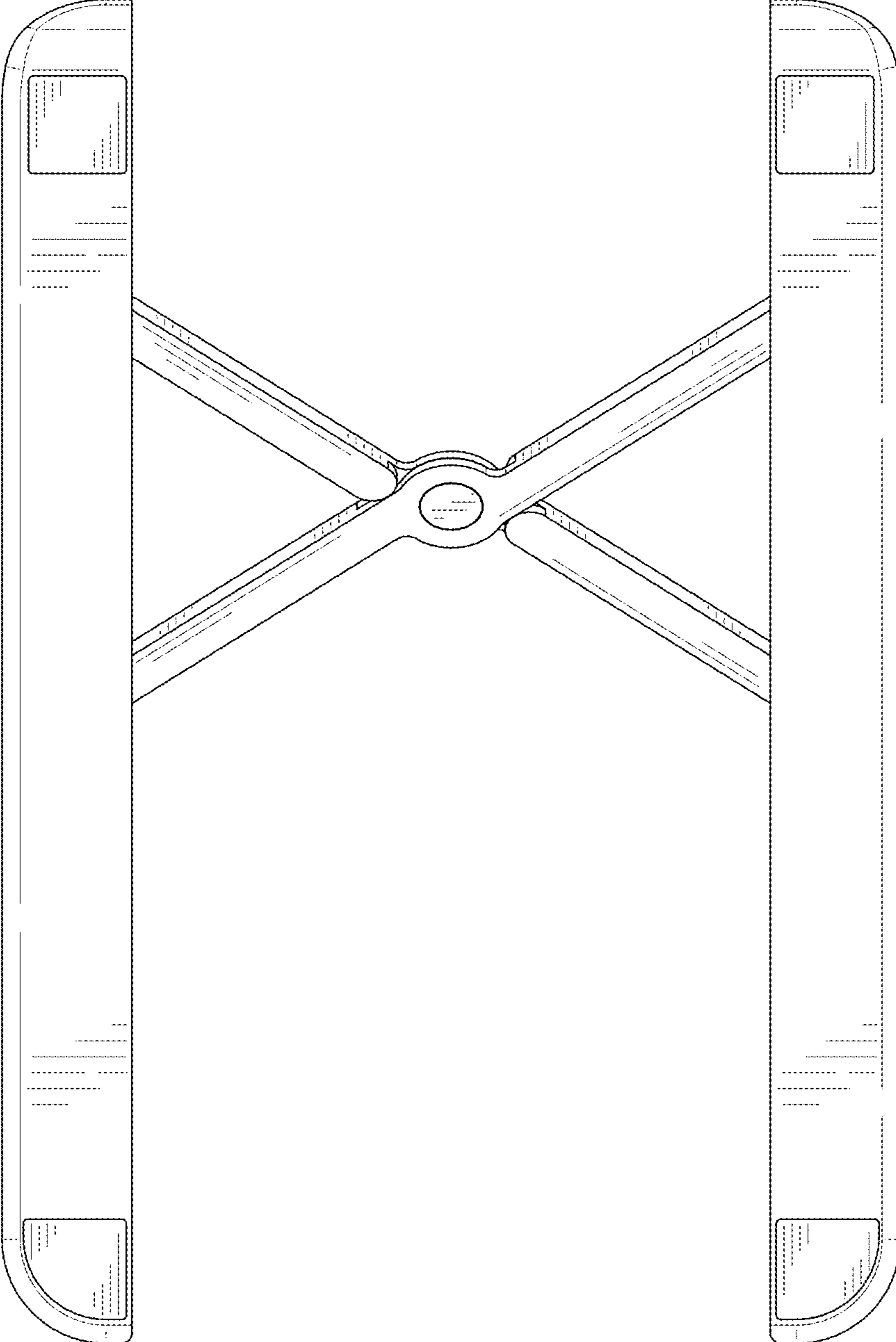


FIG. 8

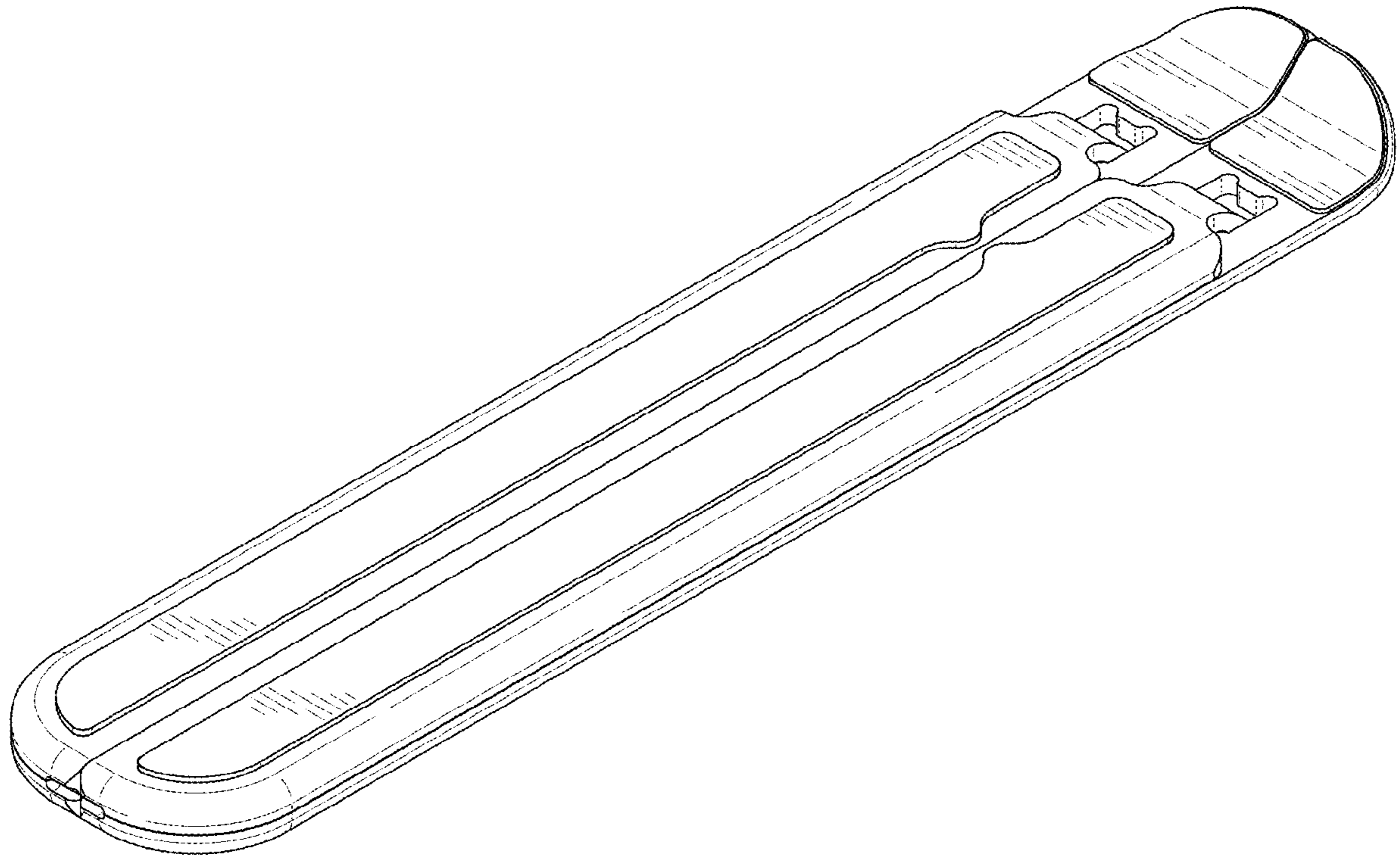


FIG. 9