

US00D950565S

(12) **United States Design Patent**
Ku et al.

(10) **Patent No.:** **US D950,565 S**
(45) **Date of Patent:** **** May 3, 2022**

(54) **CONVERTIBLE ELECTRONIC DEVICE**

(71) Applicant: **Intel Corporation**, Santa Clara, CA
(US)

(72) Inventors: **Jeff Ku**, Taipei (TW); **Tim Liu**, Taipei
(TW); **Yihua Lai**, Santa Clara, CA
(US); **Lance Lin**, Taipei (TW); **Gavin
Sung**, Taipei (TW)

(73) Assignee: **Intel Corporation**, Santa Clara, CA
(US)

(**) Term: **15 Years**

(21) Appl. No.: **29/673,000**

(22) Filed: **Dec. 11, 2018**

(51) **LOC (13) Cl.** **14-02**

(52) **U.S. Cl.**
USPC **D14/439**

(58) **Field of Classification Search**
USPC D14/315, 318, 341-347, 424, 425,
D14/432-453, 464, 468, 469, 471, 496,
D14/511, 138 AA, 138 AD, 138 C,
D14/138 G, 203.1-203.8, 217, 238.1, 248,
D14/250, 257, 299; 361/679.01, 679.02,
361/679.03, 679.3, 679.55, 679.56, 619
(Continued)

(56) **References Cited**

U.S. PATENT DOCUMENTS

D706,772 S * 6/2014 Koyama D14/327
D716,795 S * 11/2014 Huang D14/318
(Continued)

Primary Examiner — Austin Murphy

(74) *Attorney, Agent, or Firm* — Hanley, Flight &
Zimmerman, LLC

(57) **CLAIM**

The ornamental design for a “convertible electronic device,”
as shown and described in FIGS. 1-13.

DESCRIPTION

FIG. 1 is a right, front perspective view of a convertible
electronic device with a keyboard in a first stowed position.
FIG. 2 is a front view of the convertible electronic device of
FIG. 1.

FIG. 3 is a rear view of the convertible electronic device of
FIG. 1.

FIG. 4 is a top view of the convertible electronic device of
FIG. 1.

FIG. 5 is a bottom view of the convertible electronic device
of FIG. 1.

FIG. 6 is a right side view of the convertible electronic
device of FIG. 1.

FIG. 7 is a left side view of the convertible electronic device
of FIG. 1.

FIG. 8 is a right, front perspective view of the convertible
electronic device of FIG. 1 with the keyboard in a first
deployed position.

FIG. 9 is a front view of the convertible electronic device in
the position of FIG. 8.

The rear view of the convertible electronic device in the
position of FIG. 8 is the same as shown in FIG. 3.

FIG. 10 is a top view of the convertible electronic device in
the position of FIG. 8.

FIG. 11 is a bottom view of the convertible electronic device
in the position of FIG. 8.

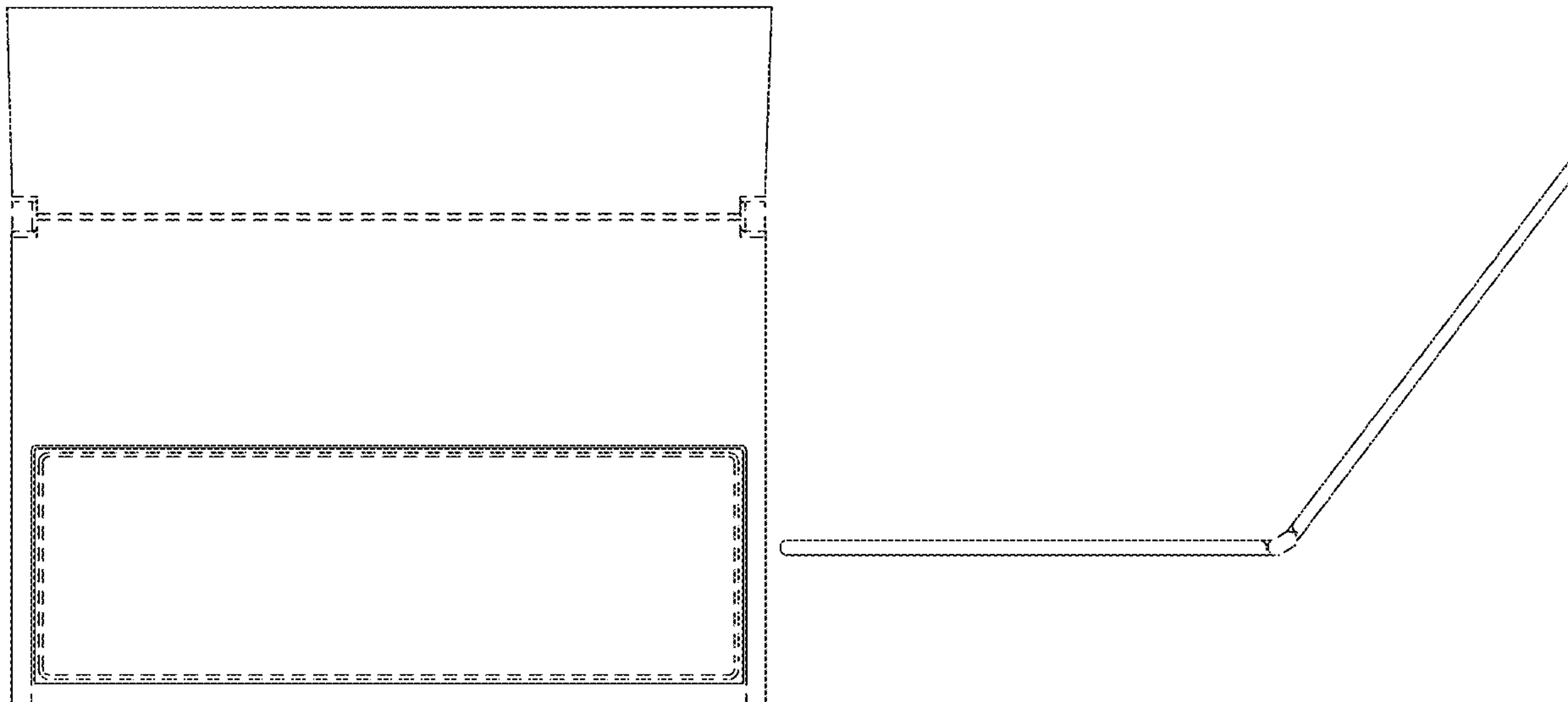
FIG. 12 is a right side view of the convertible electronic
device in the position of FIG. 8; and,

FIG. 13 is a left side view of the convertible electronic
device in the position of FIG. 8.

The features shown in broken lines form no part of the
claimed design.

Any features of any figure may be combined with any other
features of any other figure.

1 Claim, 13 Drawing Sheets



(58) **Field of Classification Search**

CPC H04M 1/0277; H04M 1/0202; H04M 1/02;
H04B 1/3838

See application file for complete search history.

(56) **References Cited**

U.S. PATENT DOCUMENTS

8,891,231	B2 *	11/2014	Okuley	G06F 1/1616 361/679.26
D729,792	S *	5/2015	Kurimoto	D14/320
D739,399	S *	9/2015	Adamson	D14/318
D741,318	S *	10/2015	Oakley	D14/318
D756,349	S *	5/2016	Lim	D14/315
D773,452	S *	12/2016	Cheah	D14/315
D775,624	S *	1/2017	Kong	D14/315
D780,173	S *	2/2017	Matsuoka	D14/315
9,740,290	B2 *	8/2017	Rosenberg	G06F 3/011
9,748,720	B2 *	8/2017	Huang	H01R 39/64
D810,071	S *	2/2018	Hishiki	D14/318
D823,850	S *	7/2018	Lim	D14/318
D914,021	S *	3/2021	Magi	D14/389
10,955,877	B2 *	3/2021	Ku	G06F 3/03547
10,968,673	B2 *	4/2021	Aagaard	H04M 1/0216
2010/0232100	A1 *	9/2010	Fukuma	H04M 1/0216 361/679.01
2016/0187994	A1 *	6/2016	La	G06F 3/017 345/619
2018/0183911	A1 *	6/2018	Lee	H04M 1/02
2018/0188774	A1 *	7/2018	Ent	G06F 1/1669
2019/0278339	A1 *	9/2019	Cooper	G06F 1/1616

* cited by examiner

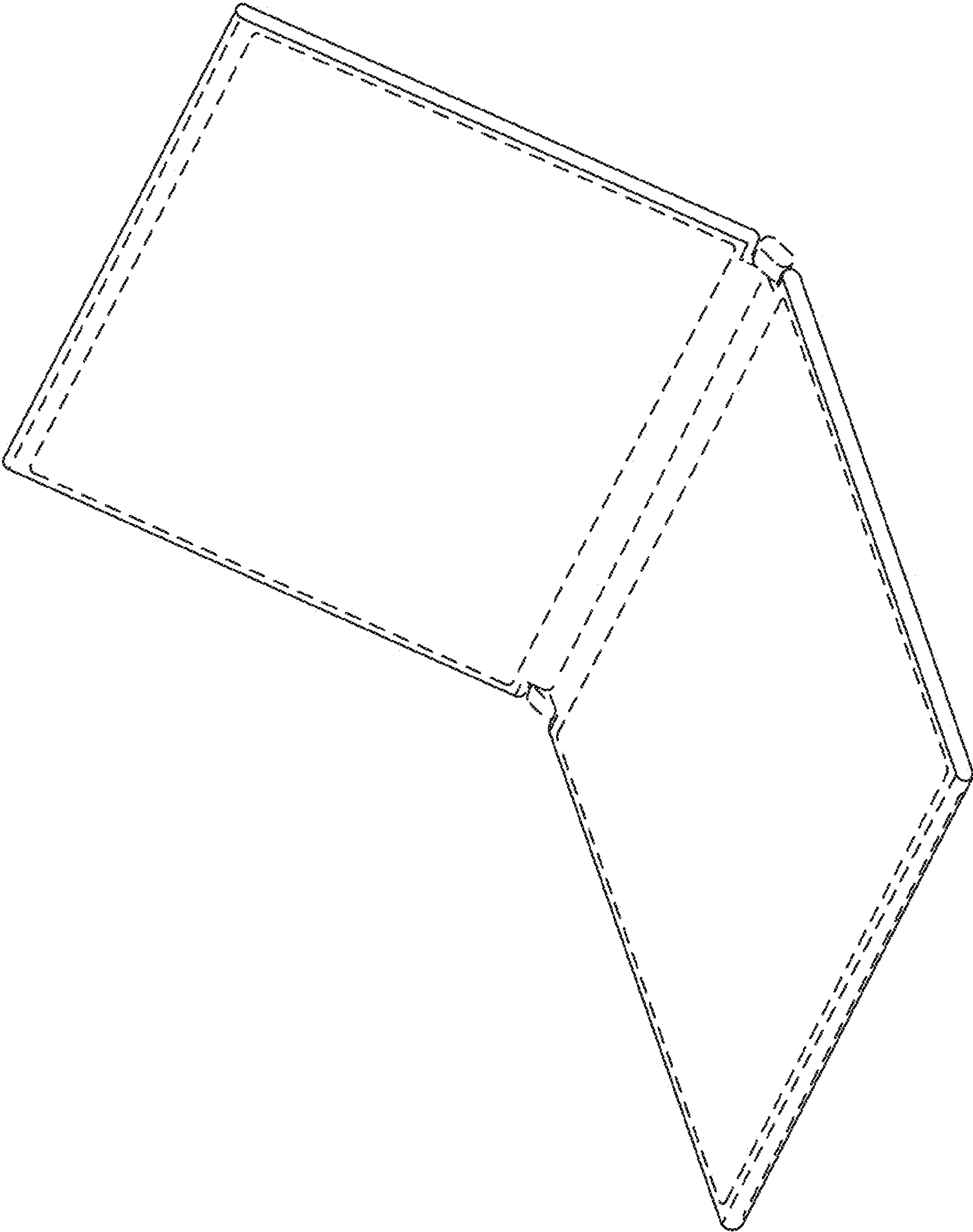


FIG. 1

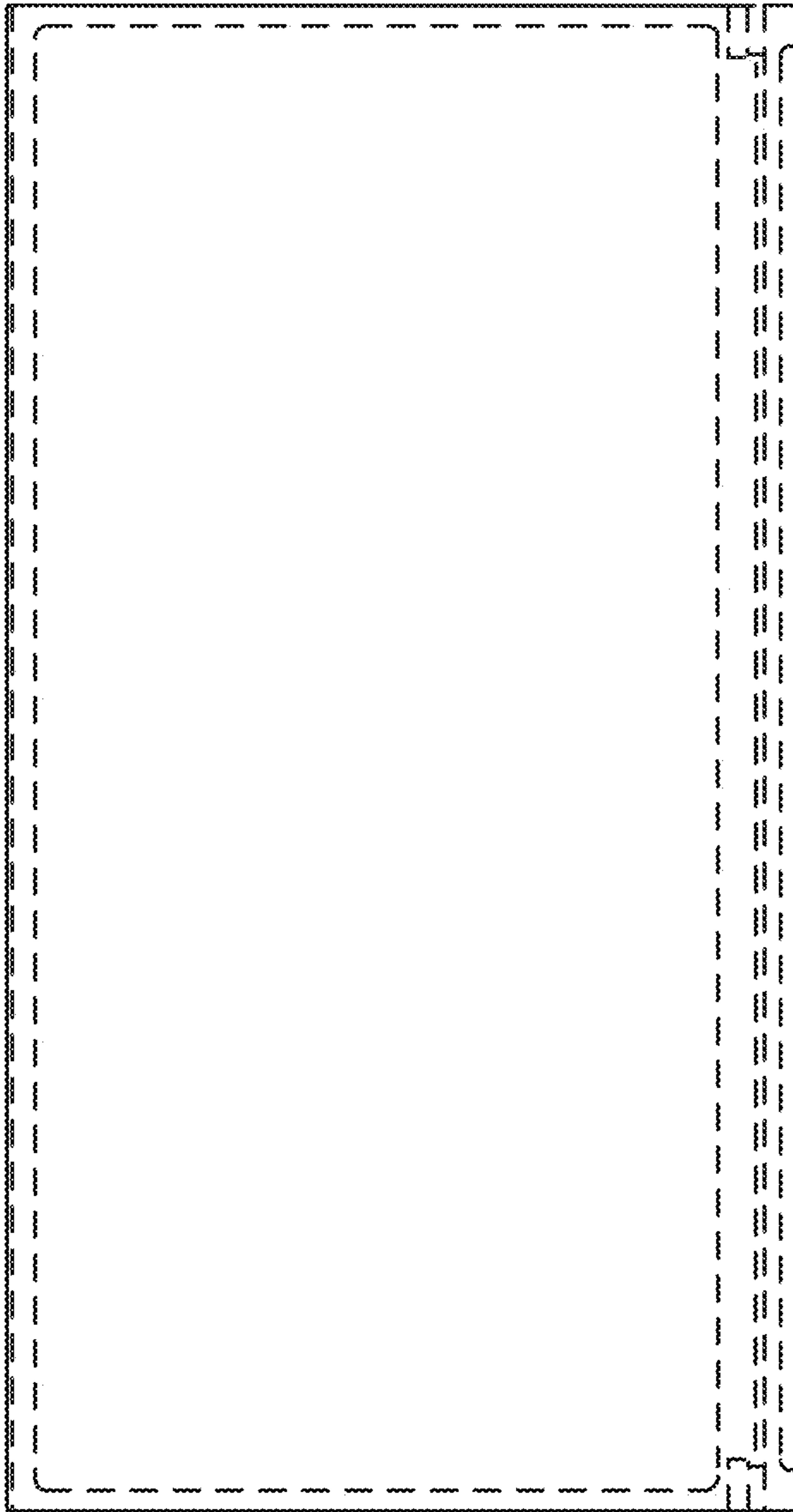


FIG. 2

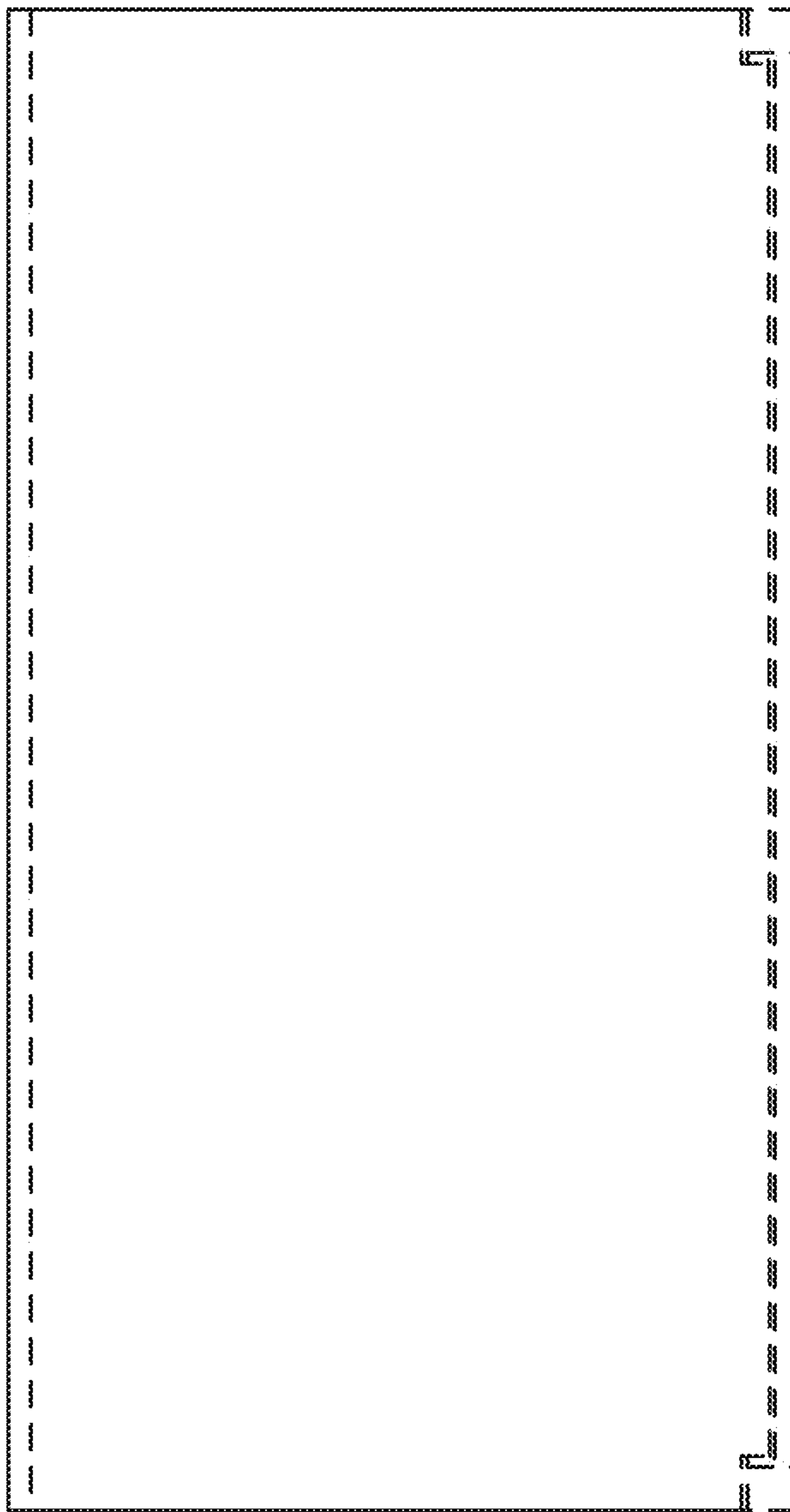


FIG. 3

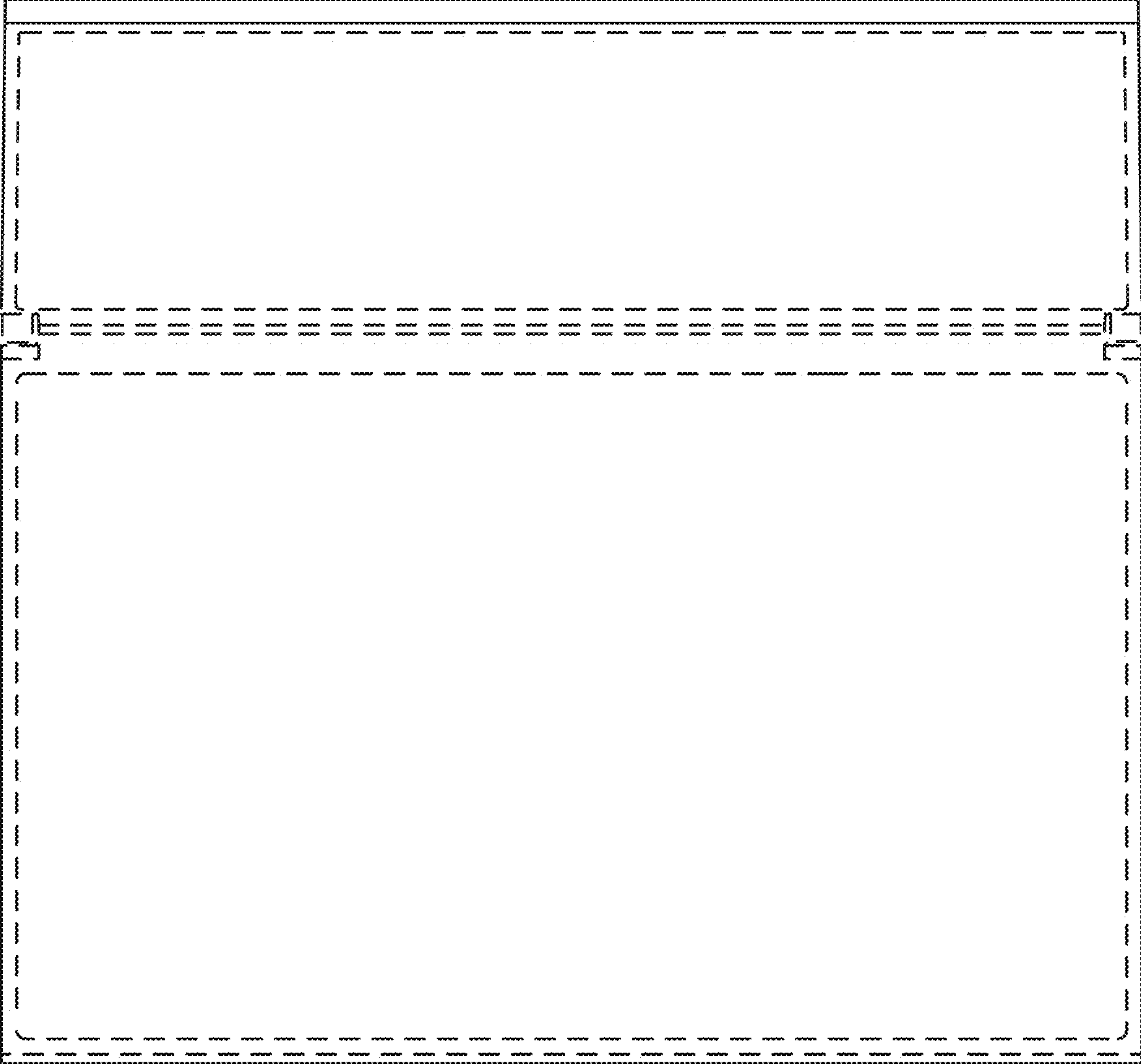


FIG. 4

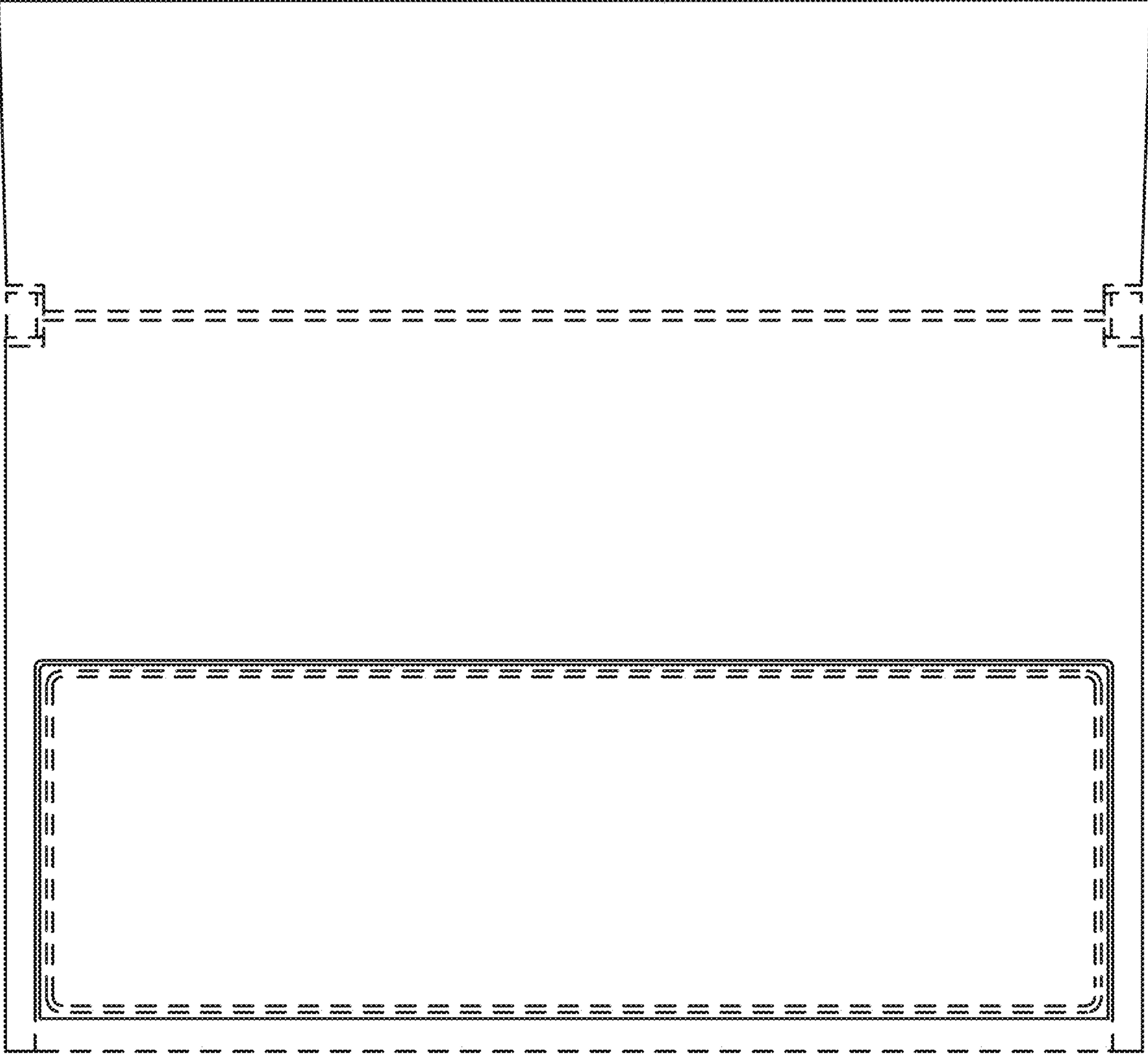


FIG. 5

FIG. 6

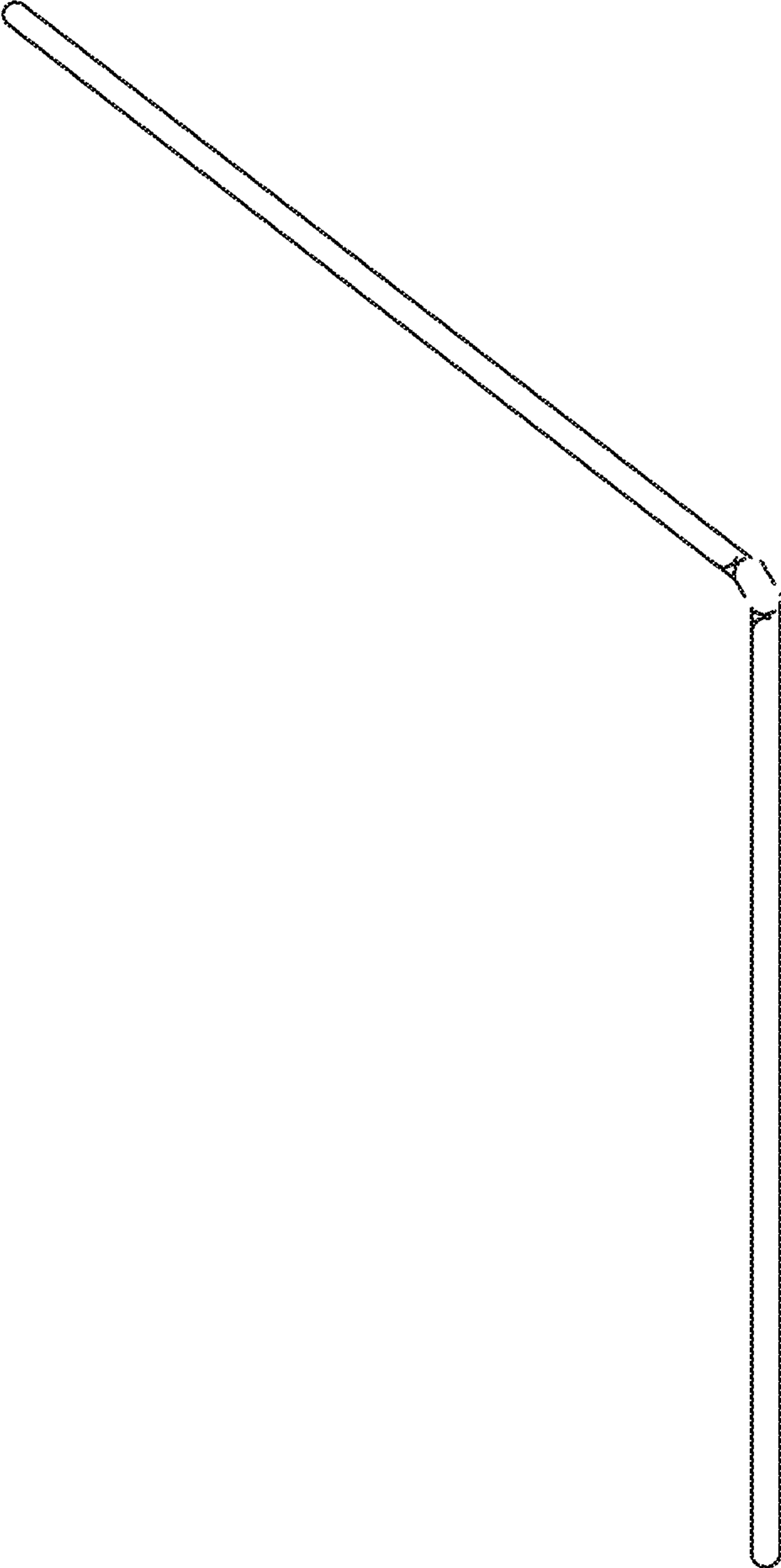
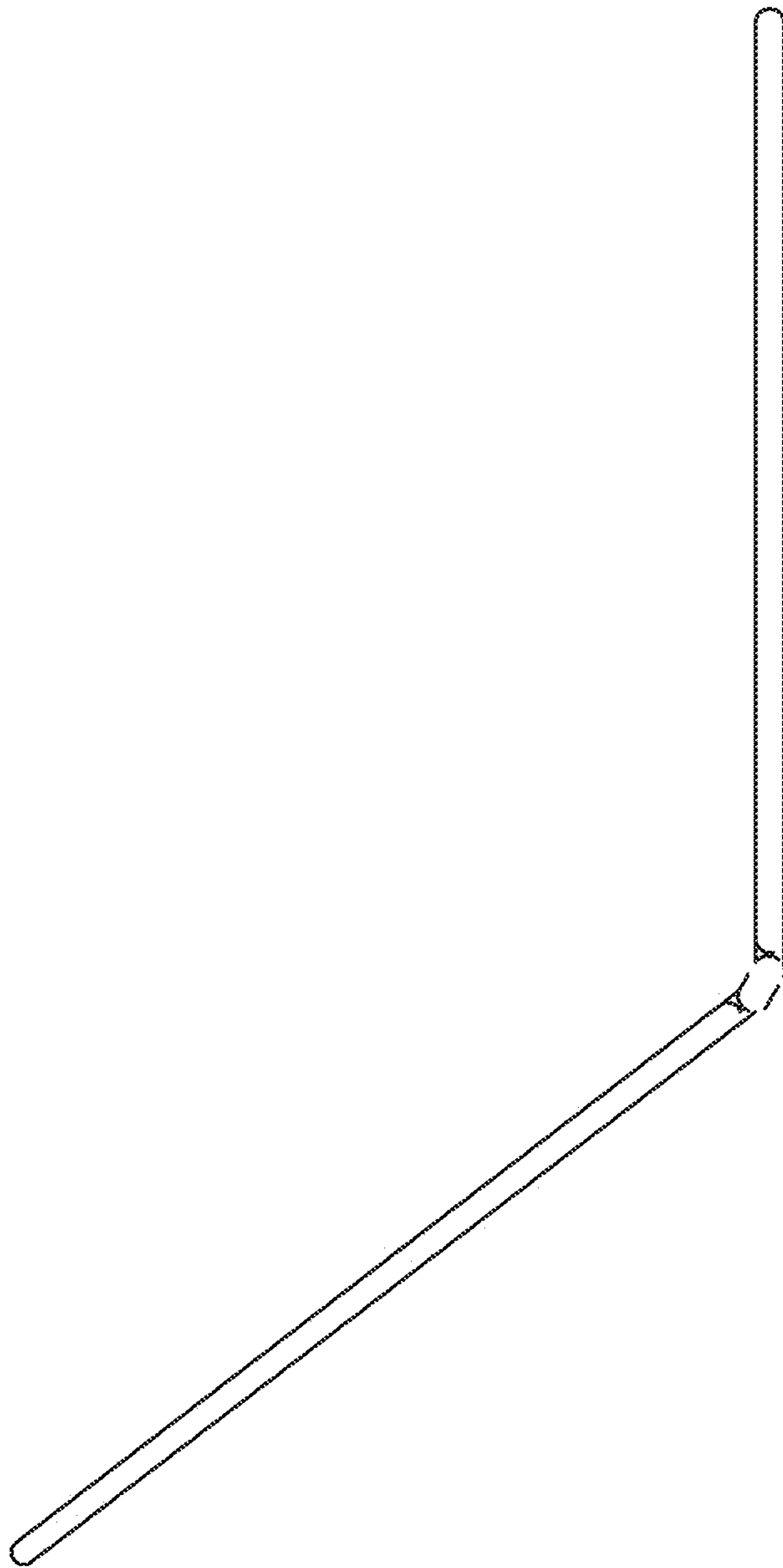


FIG. 7



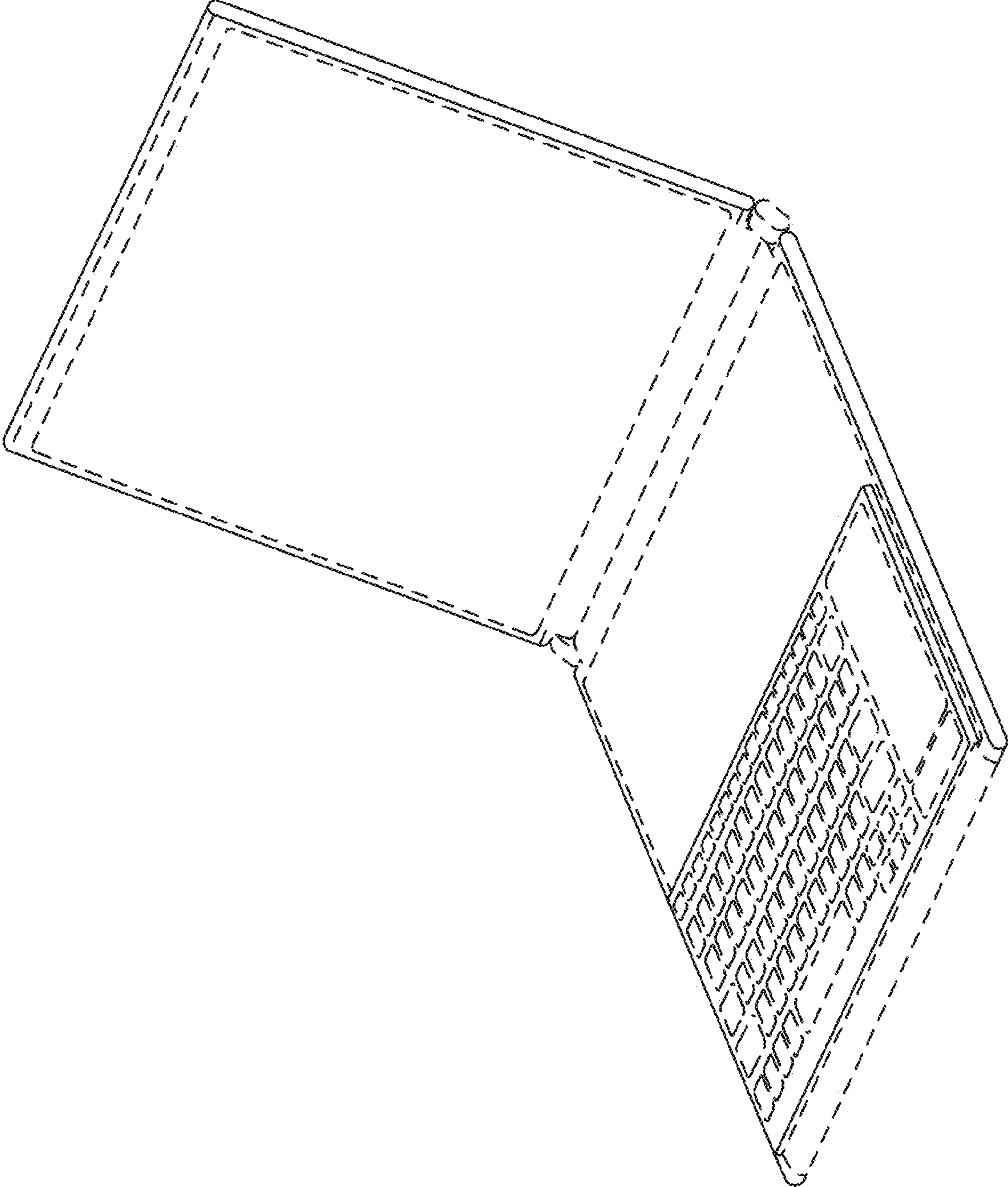


FIG. 8

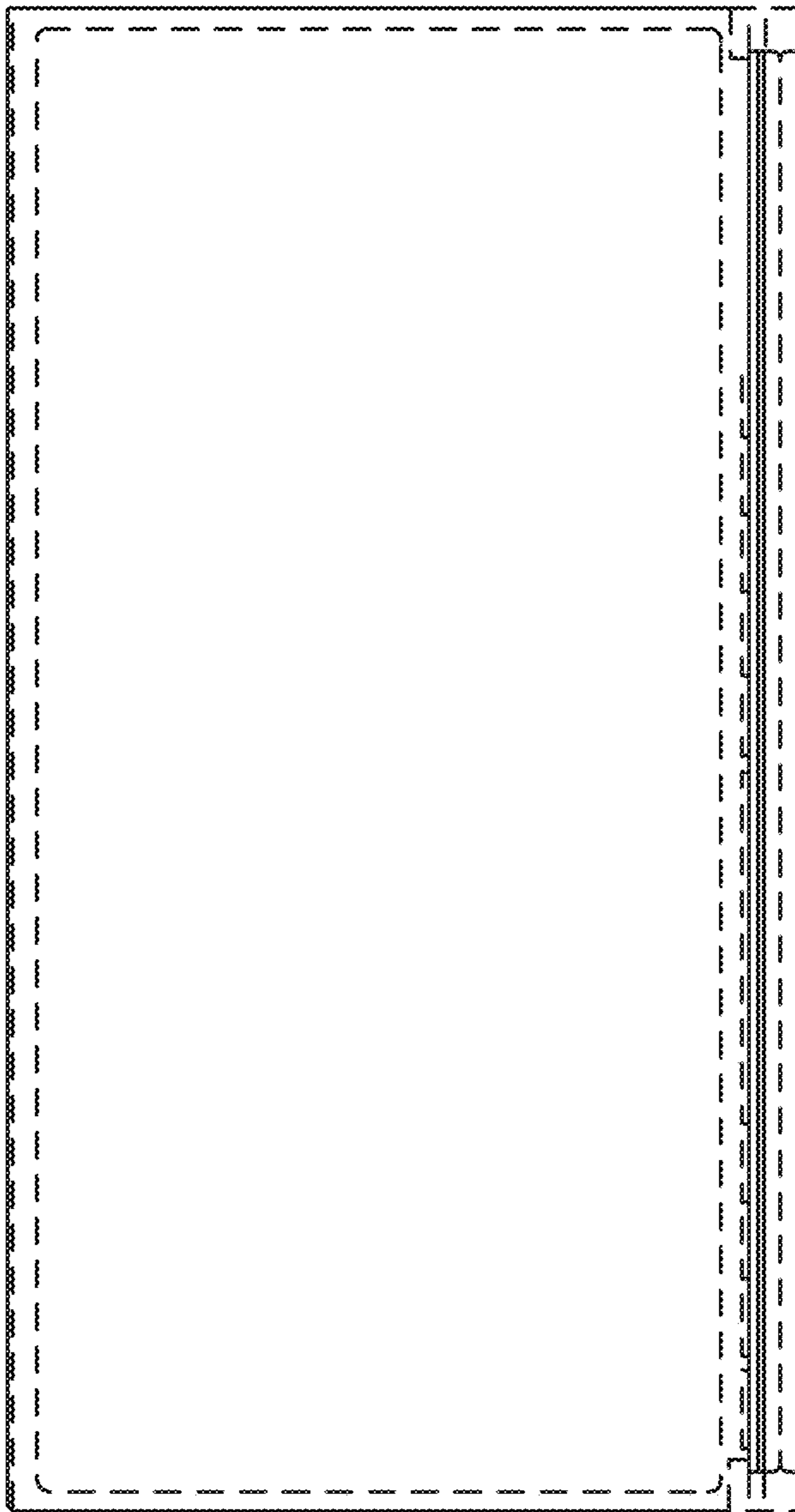


FIG. 9

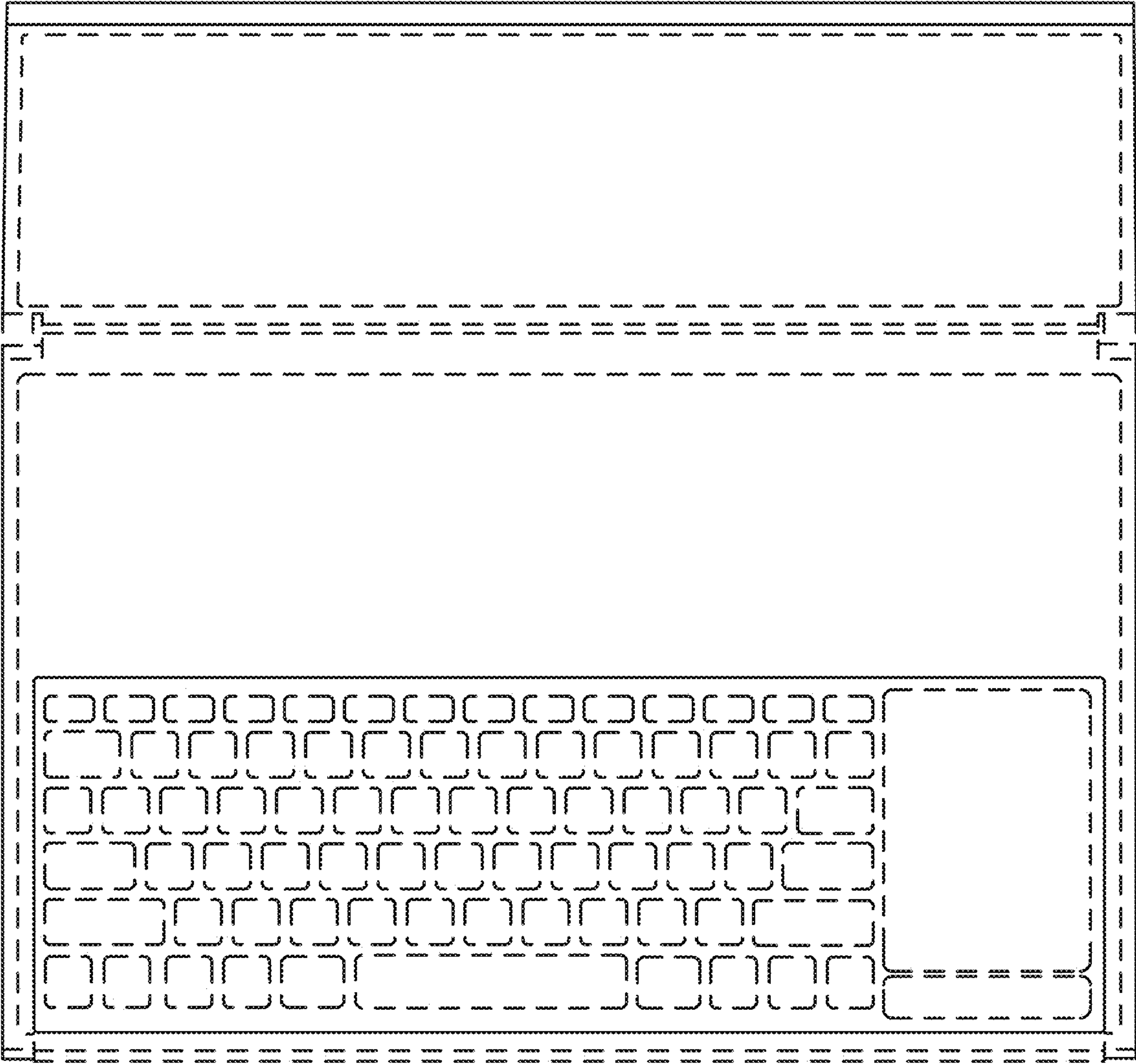


FIG. 10

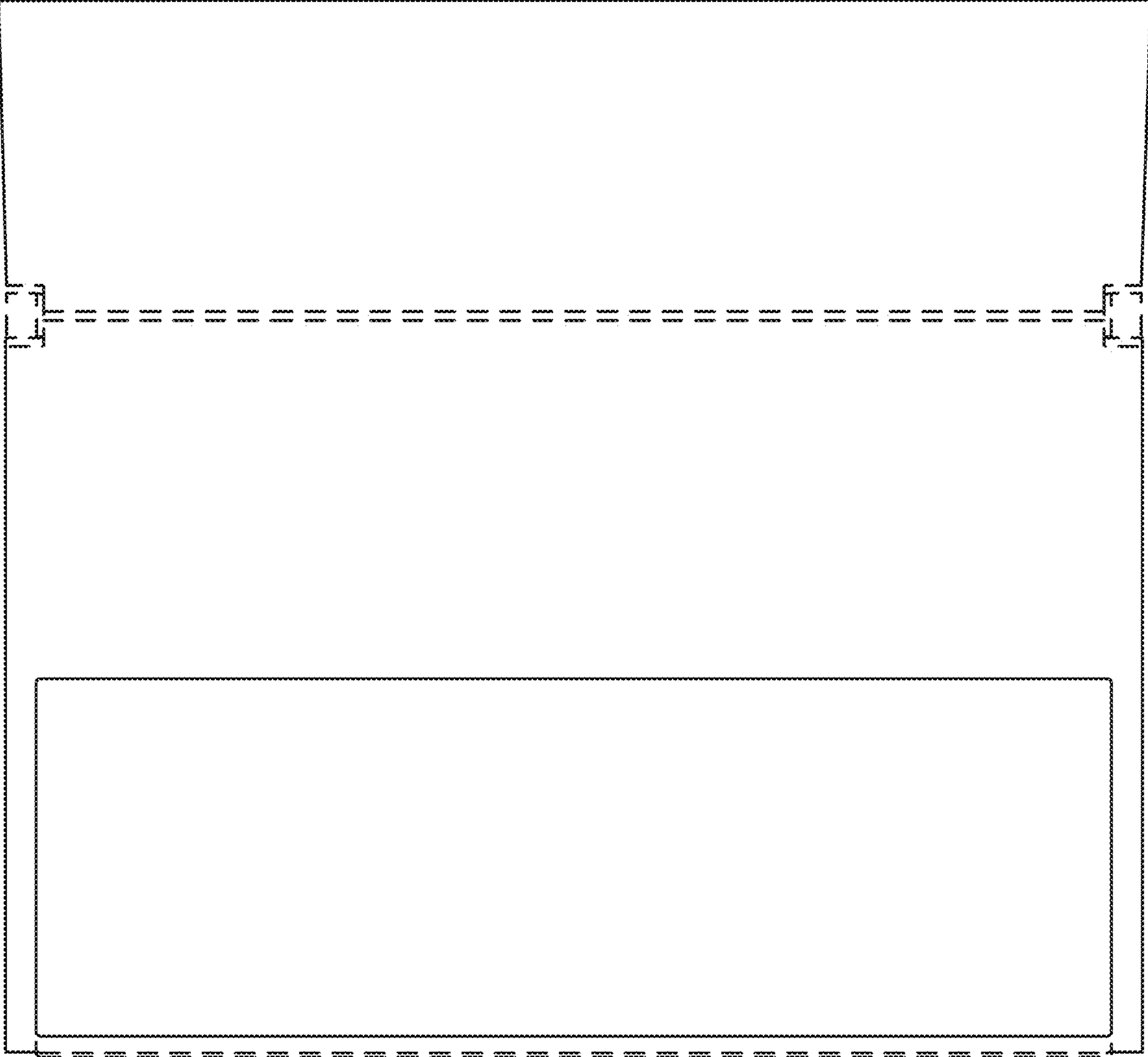
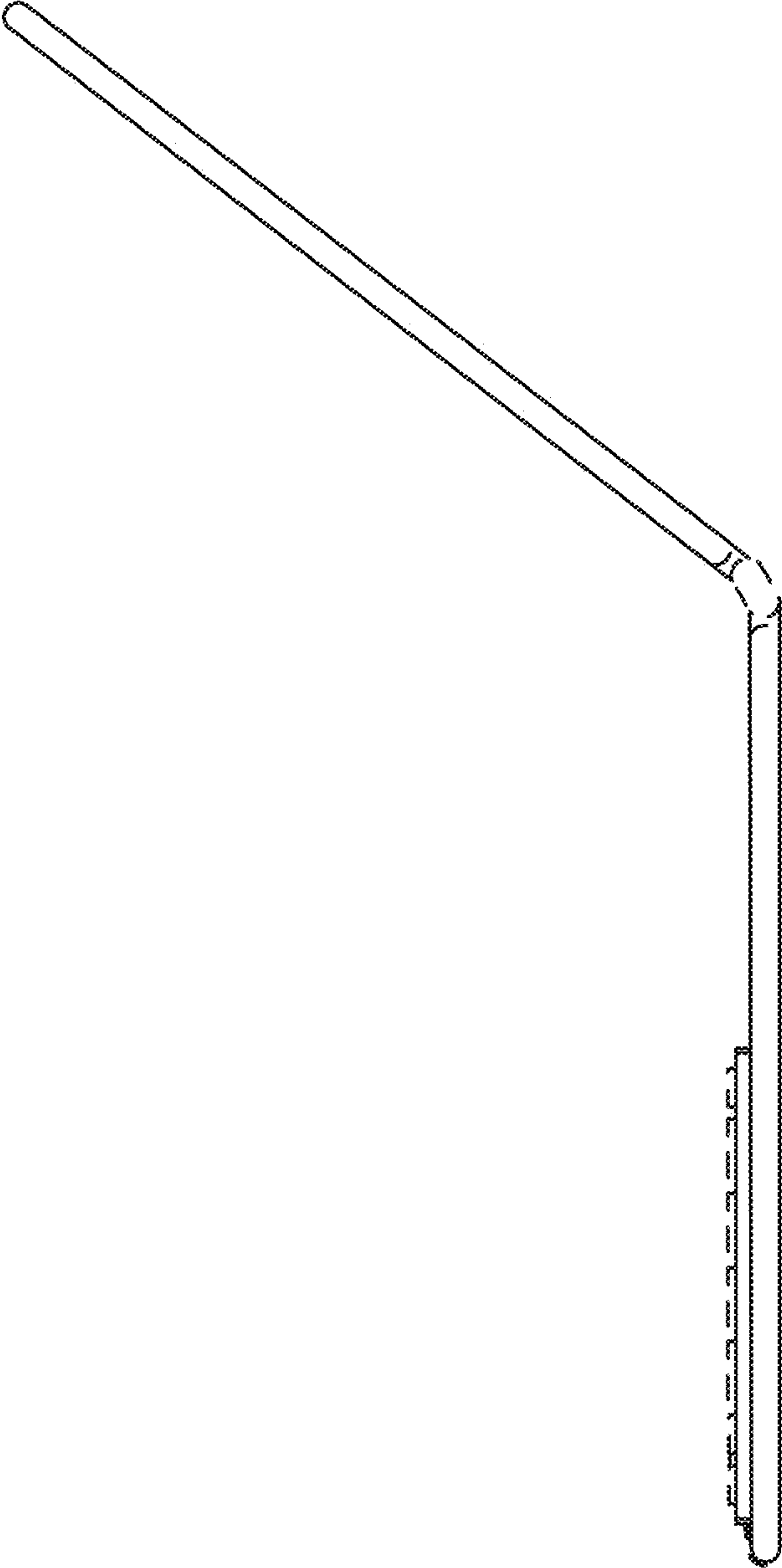


FIG. 11

FIG. 12



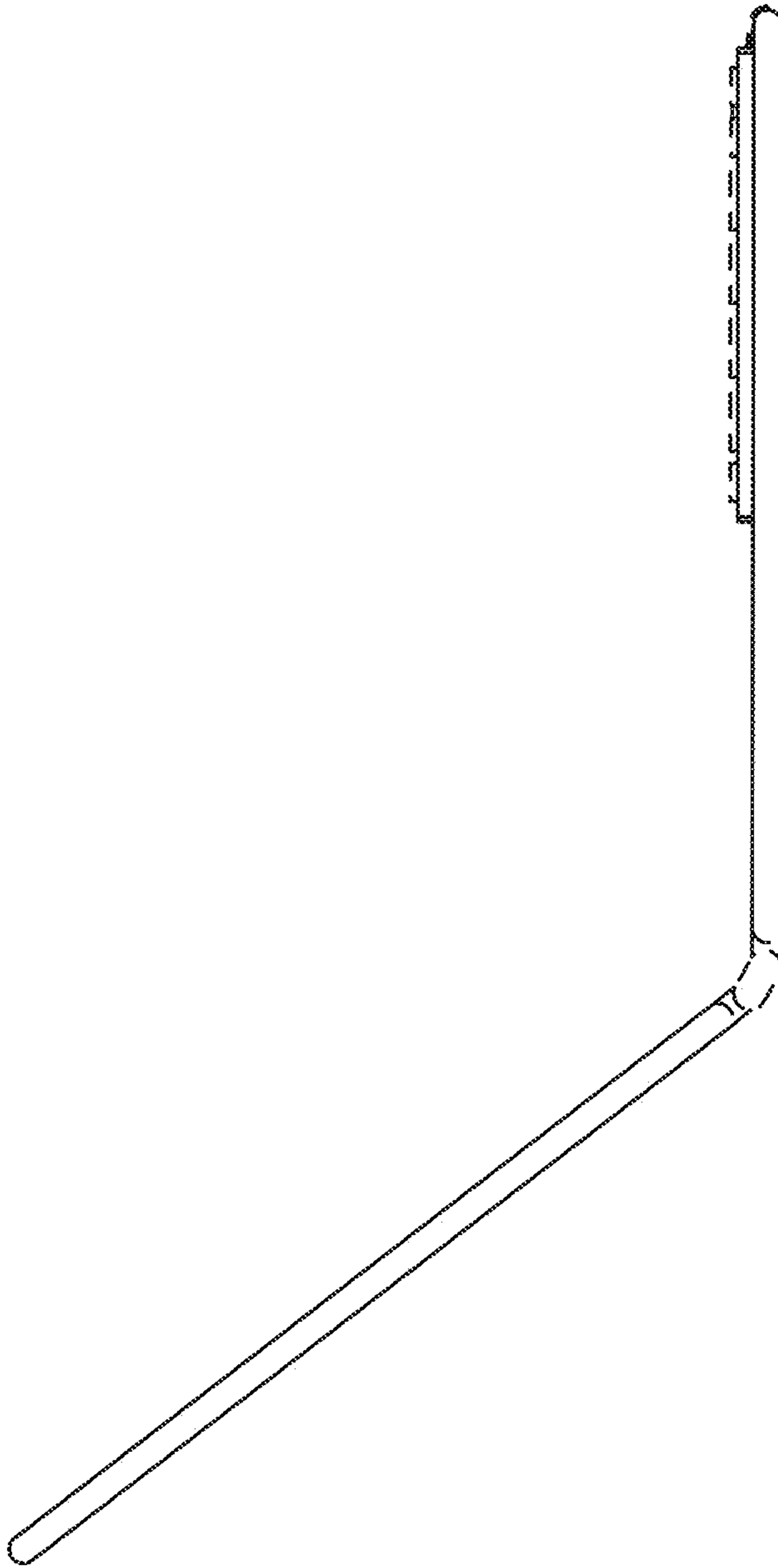


FIG. 13