



US00D950563S

(12) **United States Design Patent**
Zhang et al.

(10) **Patent No.:** **US D950,563 S**
(45) **Date of Patent:** **** May 3, 2022**

(54) **WIRELESS HUB**

(71) Applicant: **C-Smartlink Information Technology Co., Ltd.**, Shenzhen (CN)

(72) Inventors: **Wenfeng Zhang**, Shenzhen (CN);
Shengfu Liu, Shenzhen (CN);
Shengtian Liu, Shenzhen (CN)

(73) Assignee: **C-Smartlink Information Technology Co., Ltd.**, Shenzhen (CN)

(**) Term: **15 Years**

(21) Appl. No.: **29/769,284**

(22) Filed: **Feb. 4, 2021**

(51) **LOC (13) Cl.** **14-02**

(52) **U.S. Cl.**
USPC **D14/434**; D14/358

(58) **Field of Classification Search**
USPC D14/434, 440, 447, 432, 433, 451, 452,
D14/454, 455, 356, 358, 357, 315, 320,
D14/322, 326, 392, 251-253, 217, 299,
D14/496, 168, 172, 125, 240, 242, 155;
D13/103, 107, 108, 118, 119, 184
CPC G06F 1/16; G06F 1/1616; G06F 1/1626;
G06F 1/1632; G06F 1/1684; G06F
1/1688; G06F 1/266; G06F 13/00; G06F
13/12; G06F 13/14; G06F 13/20; G06F
13/382; G06F 13/4022; F16M 11/10;
F16M 11/20; H02J 57/025; H02J 7/0042;
H02J 7/00; H02J 7/0027; H02J 7/0044;
H02J 7/0045; H02J 7/355; H02J 7/025;
H04R 1/025; H04R 5/04; H01R 31/065;
H01M 10/44; H04W 8/00; H04W 8/005;
H04W 8/02; H04W 8/08

See application file for complete search history.

(56) **References Cited**

U.S. PATENT DOCUMENTS

D415,131 S *	10/1999	Chang	D14/433
D416,233 S *	11/1999	Tsai	D13/147
D436,109 S *	1/2001	Tong	D14/434
D461,476 S *	8/2002	Evers	D14/341
D464,957 S *	10/2002	Guccione	D14/240
D469,770 S *	2/2003	Carpenter	D13/147
D478,057 S *	8/2003	Cohen	D14/155
D532,780 S *	11/2006	Proctor, Jr.	D14/240
D535,983 S *	1/2007	Krieger	D14/230
D561,762 S *	2/2008	Mori	D14/434
D599,800 S *	9/2009	Klein	D14/433
D602,858 S *	10/2009	Ellis	D13/108
D645,818 S *	9/2011	Guccione	D13/108
D654,431 S *	2/2012	Stephanchick	D13/108
D654,866 S *	2/2012	Rautiainen	D13/108
D659,093 S *	5/2012	Schmid	D13/108
D673,110 S *	12/2012	Sasada	D13/108
D696,190 S *	12/2013	Brandtman	D13/108

(Continued)

Primary Examiner — Marie D. Fast Horse

(74) *Attorney, Agent, or Firm* — Westbridge IP LLC

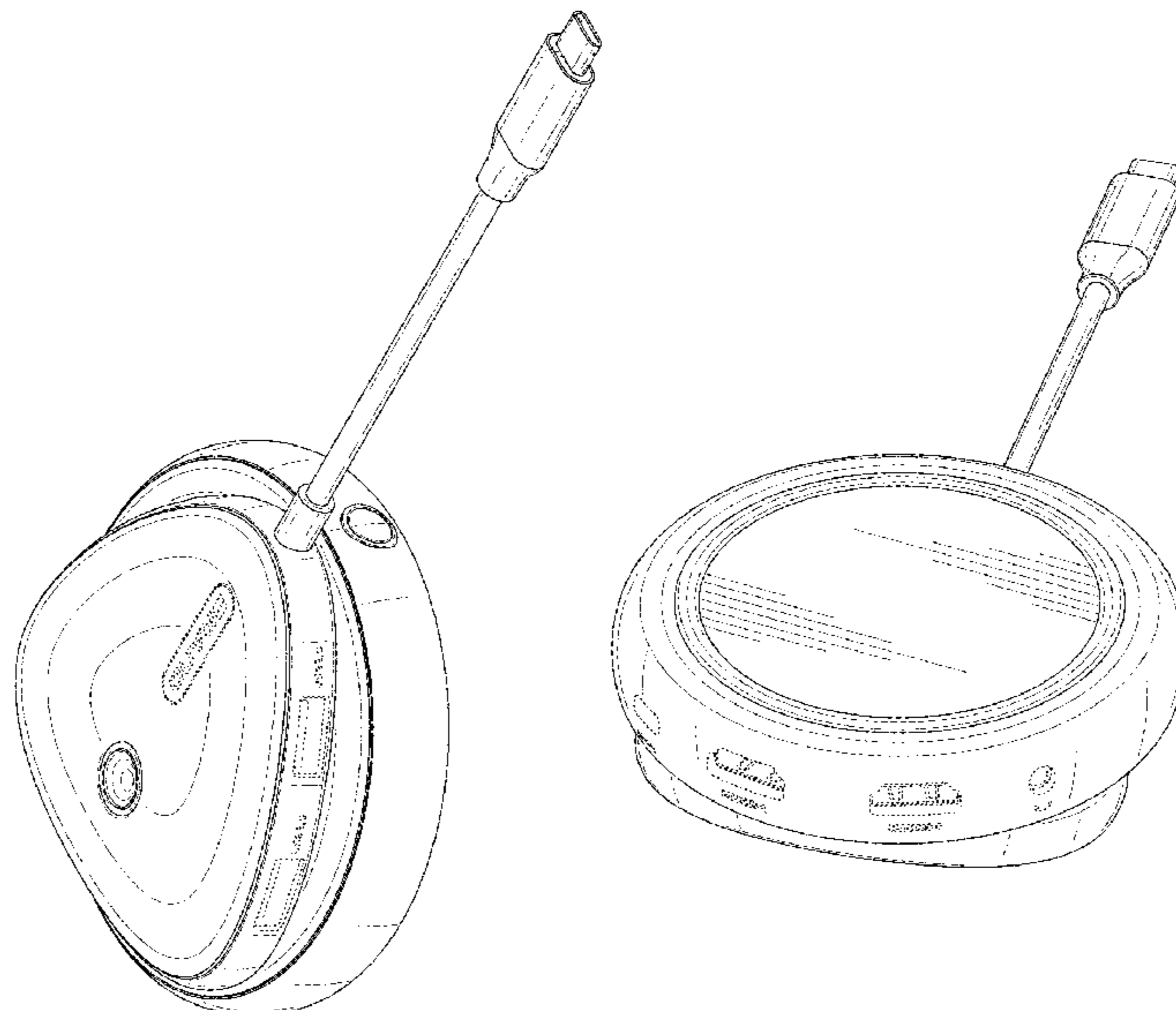
(57) **CLAIM**

The ornamental design for a wireless hub, as shown and described.

DESCRIPTION

FIG. 1 is a top, front and right side perspective view of a wireless hub showing our new design;
FIG. 2 is a front elevational view thereof;
FIG. 3 is a rear elevational view thereof;
FIG. 4 is a left side elevational view thereof;
FIG. 5 is a right side elevational view thereof;
FIG. 6 is a top plan view thereof;
FIG. 7 is a bottom plan view thereof; and,
FIG. 8 is a bottom, rear and left side perspective view thereof.
The broken lines in the drawings illustrate the portions of the wireless hub which form no part of the claimed design.

1 Claim, 8 Drawing Sheets



(56)

References Cited

U.S. PATENT DOCUMENTS

D704,634 S *	5/2014	Eidelman	D13/108	D808,901 S *	1/2018	Kelly	D13/107
D709,504 S *	7/2014	Breines	D14/433	D811,326 S *	2/2018	Woo	D13/108
D714,731 S *	10/2014	Lee	D13/147	D817,268 S *	5/2018	Symons	D13/108
D716,803 S *	11/2014	Neumann	D14/358	D817,919 S *	5/2018	Fairless	D14/204
D716,804 S *	11/2014	Neumann	D14/358	D826,890 S *	8/2018	Fairless	D14/204
D718,233 S *	11/2014	Aumiller	D13/108	D830,327 S *	10/2018	Jones	D14/155
D718,712 S *	12/2014	Aumiller	D13/108	D832,262 S *	10/2018	Kato	D14/433
D720,288 S *	12/2014	Ko	D13/108	D834,565 S *	11/2018	Sarrasin	D14/227
D725,034 S *	3/2015	Chen	D13/108	D839,189 S *	1/2019	Miller	D13/108
D725,098 S *	3/2015	Neumann	D14/358	D850,367 S *	6/2019	Xiong	D13/108
D725,099 S *	3/2015	Neumann	D14/358	D850,372 S *	6/2019	Kong	D13/108
D727,260 S *	4/2015	Aumiller	D13/108	D855,567 S *	8/2019	Cai	D13/108
D732,010 S *	6/2015	Hsiau	D14/240	D859,307 S *	9/2019	Campos	D13/108
D737,760 S *	9/2015	Kyriakoulis	D13/108	D860,937 S *	9/2019	Slaatto	D13/108
D737,762 S *	9/2015	Aumiller	D13/108	D868,712 S *	12/2019	Scala	D14/125
D740,750 S *	10/2015	Mayden	D13/108	D869,391 S *	12/2019	Roberts	D13/108
D742,823 S *	11/2015	Nitz	D13/108	D872,015 S *	1/2020	Choi	D13/108
D746,772 S *	1/2016	Aumiller	D13/108	D875,674 S *	2/2020	Smigel	D13/108
D749,504 S *	2/2016	Jeong	D13/108	D875,678 S *	2/2020	Kim	D13/108
D755,790 S *	5/2016	Salvatori	D14/433	D883,922 S *	5/2020	Peters	D13/108
D757,014 S *	5/2016	Hahn	D14/434	D884,677 S *	5/2020	Feng	D14/216
D772,813 S *	11/2016	Wahl	D13/108	D890,104 S *	7/2020	Wu	D13/147
D775,233 S *	12/2016	Beck	D14/496	D890,151 S *	7/2020	Gao	D14/240
D782,485 S *	3/2017	Cai	D14/433	D890,700 S *	7/2020	Kawamoto	D13/110
D782,973 S *	4/2017	Zhou	D13/108	D891,366 S *	7/2020	Xie	D13/108
D784,259 S *	4/2017	Huang	D13/108	D893,486 S *	8/2020	Liao	D14/433
D784,307 S *	4/2017	Yoon	D14/240	D897,956 S *	10/2020	Yang	D13/108
D791,215 S *	7/2017	Schmidt	D16/242	D899,359 S *	10/2020	Zhang	D13/108
D795,183 S *	8/2017	Akana	D13/108	D901,379 S *	11/2020	Choi	D13/108
D796,433 S *	9/2017	Langhammer	D13/108	D906,237 S *	12/2020	Yao	D13/108
D797,042 S *	9/2017	Miller	D13/107	D908,620 S *	1/2021	Akana	D13/108
D797,807 S *	9/2017	Mangum	D14/496	D914,662 S *	3/2021	Unter Ecker	D14/240
D798,807 S *	10/2017	Shi	D13/108	D917,390 S *	4/2021	Tung	D13/108
D804,531 S *	12/2017	Beck	D14/496	D930,040 S *	9/2021	Shih	D14/496
D804,532 S *	12/2017	Mangum	D14/496	D934,193 S *	10/2021	Zhang	D14/204
				D935,402 S *	11/2021	Qiu	D13/108
				D935,429 S *	11/2021	Green	D14/155
				D937,765 S *	12/2021	Akana	D13/107

* cited by examiner

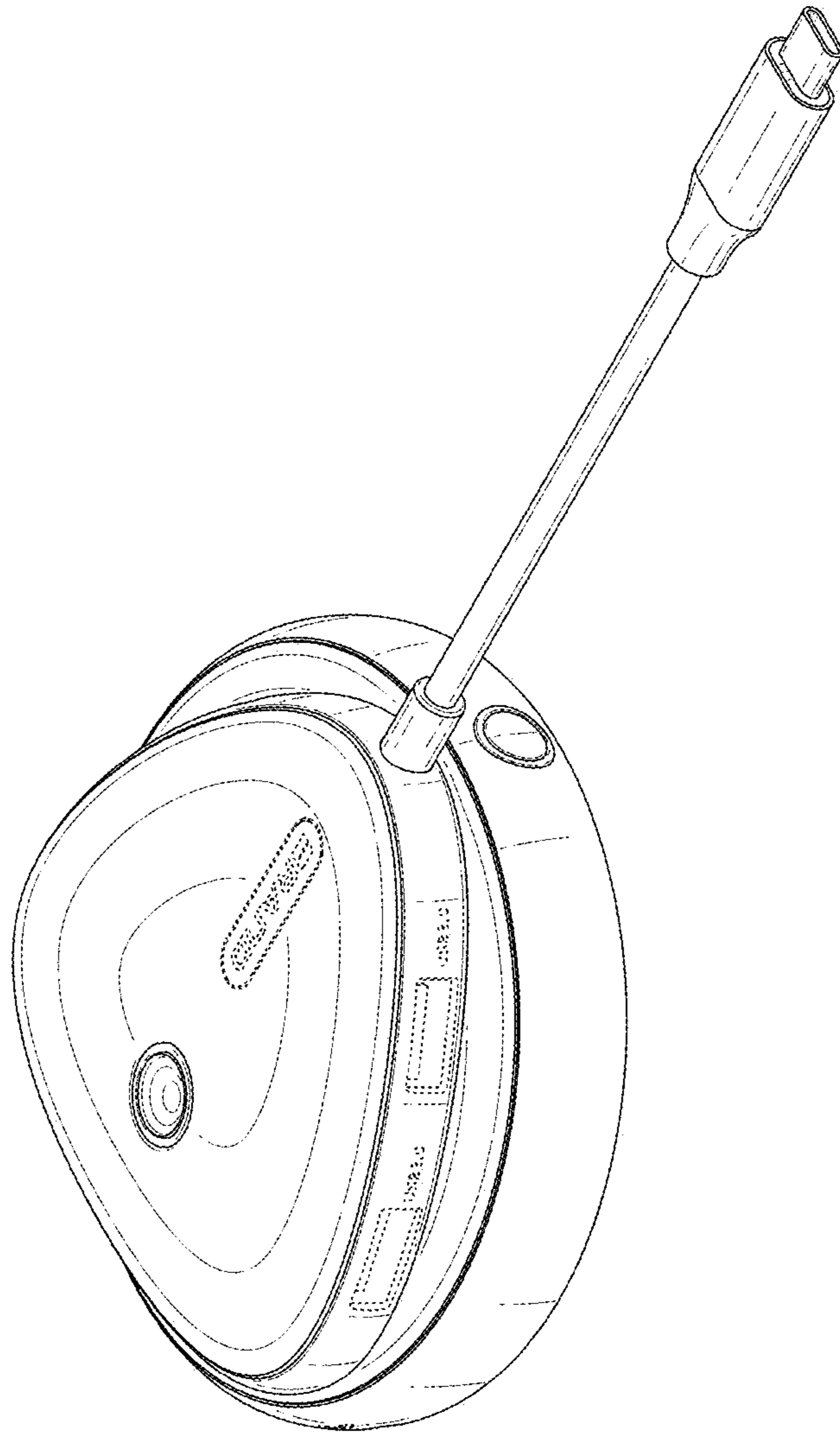


FIG. 1

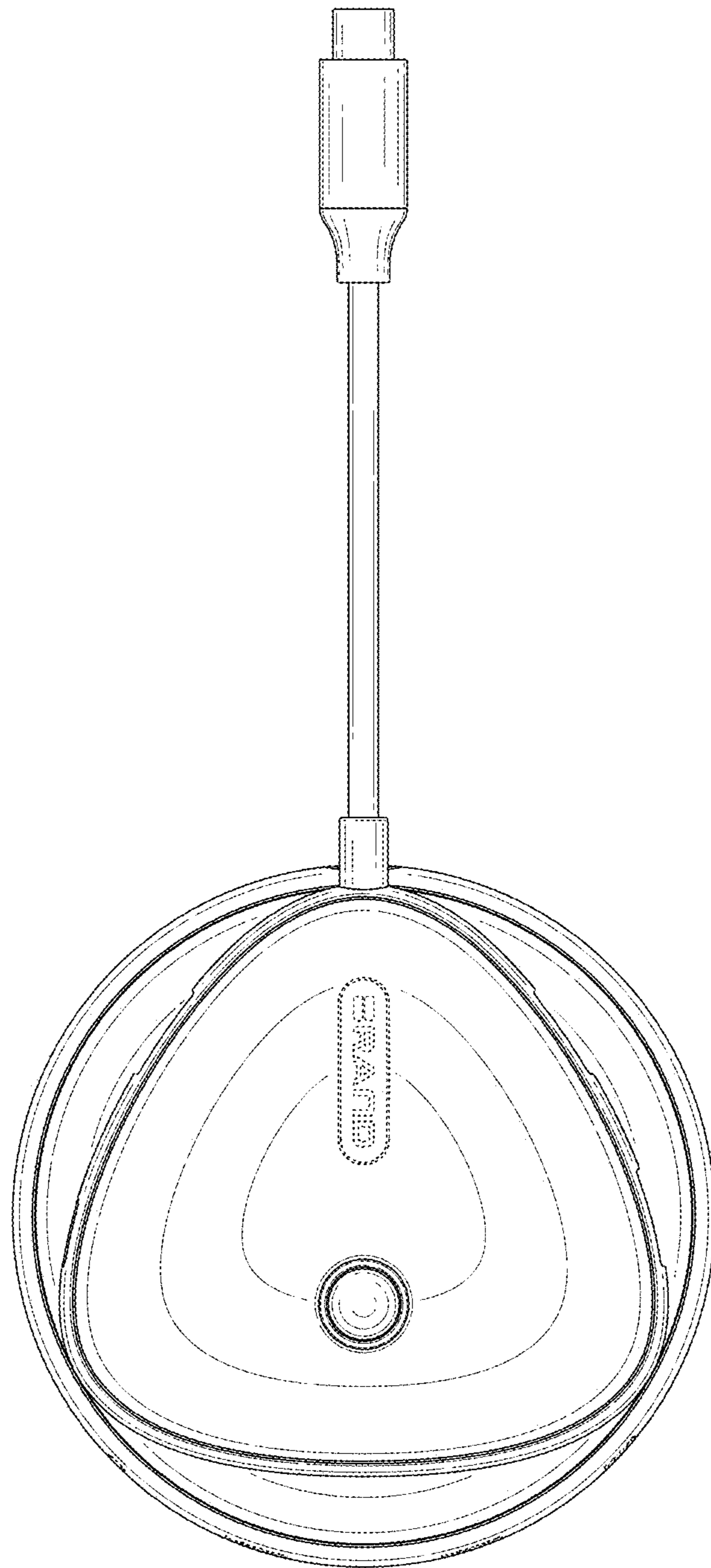


FIG.2

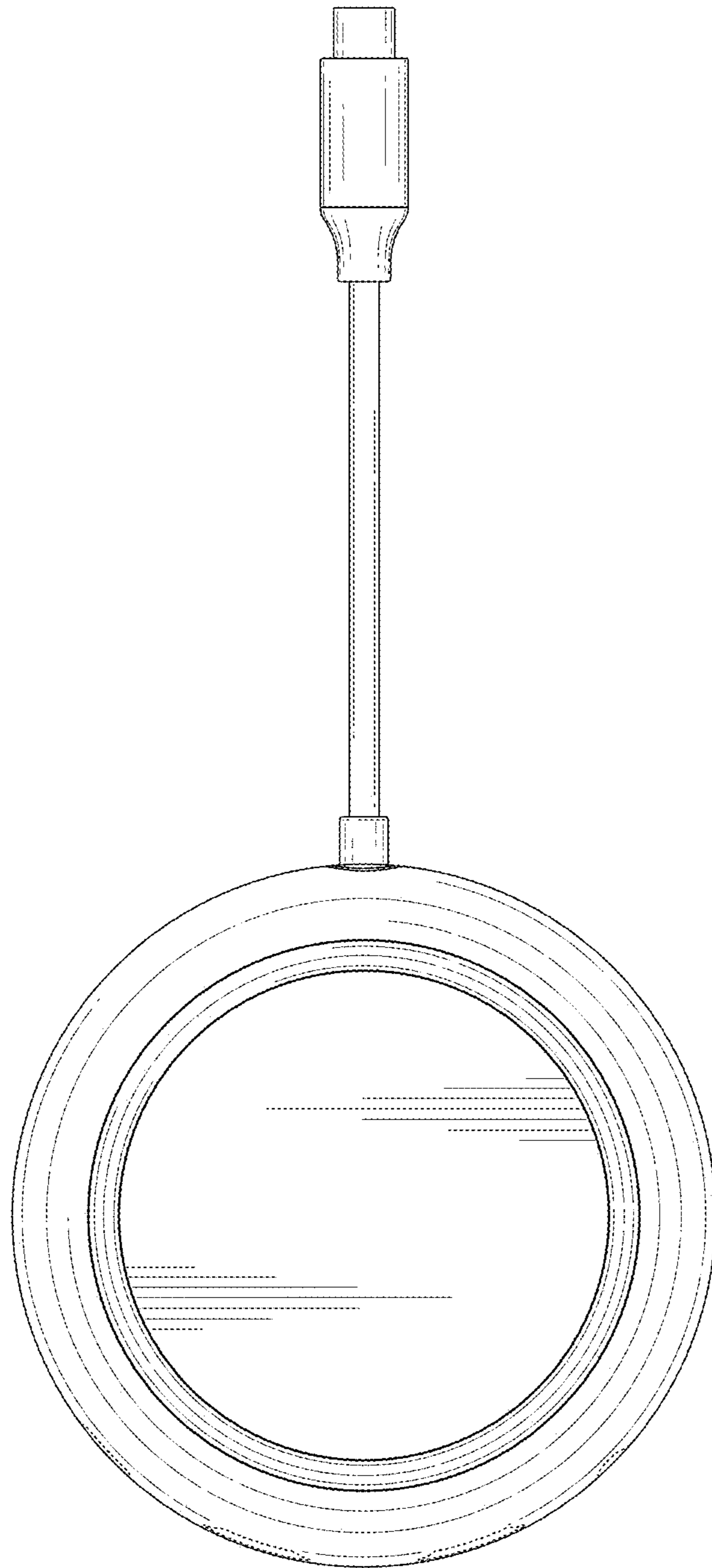


FIG.3

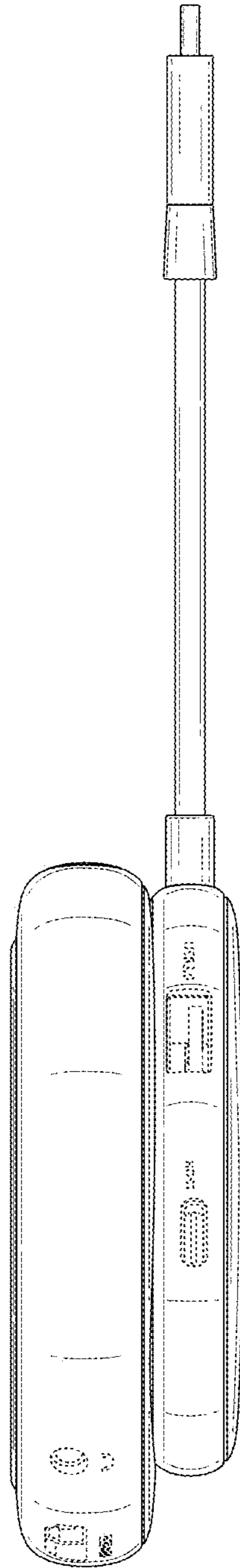


FIG.4

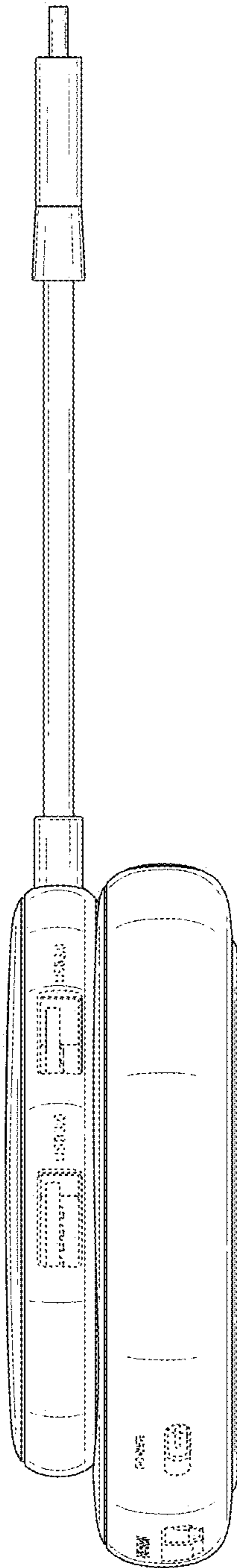


FIG.5

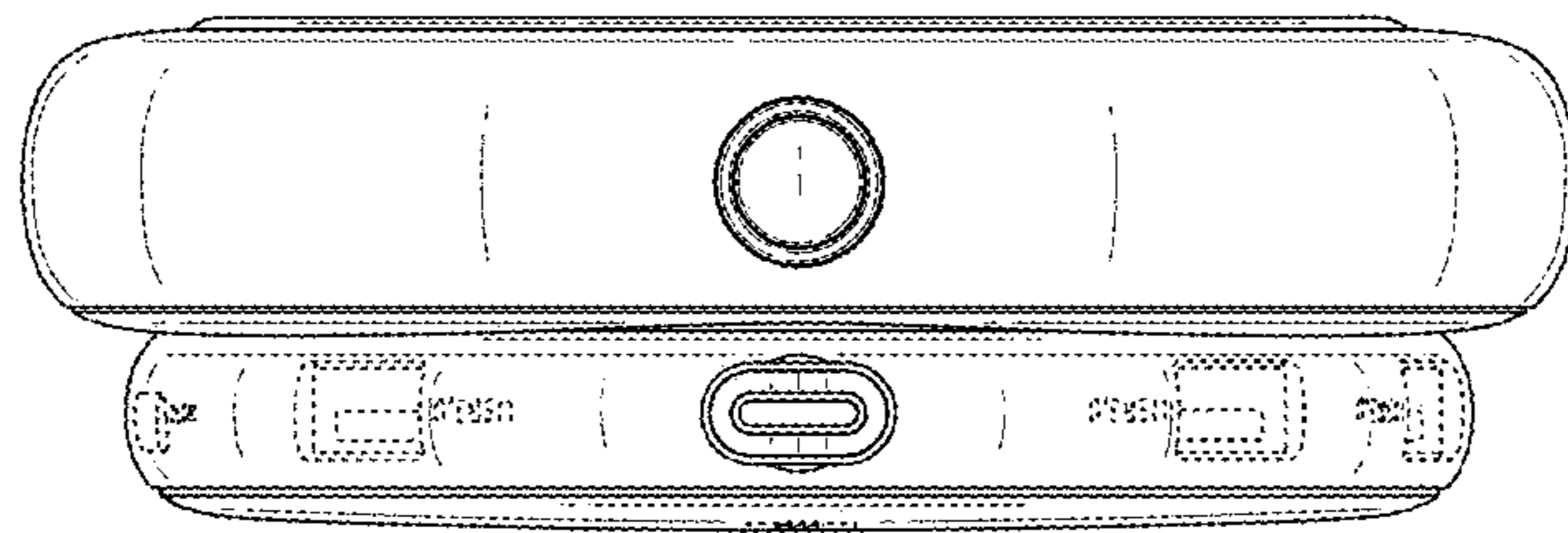


FIG.6

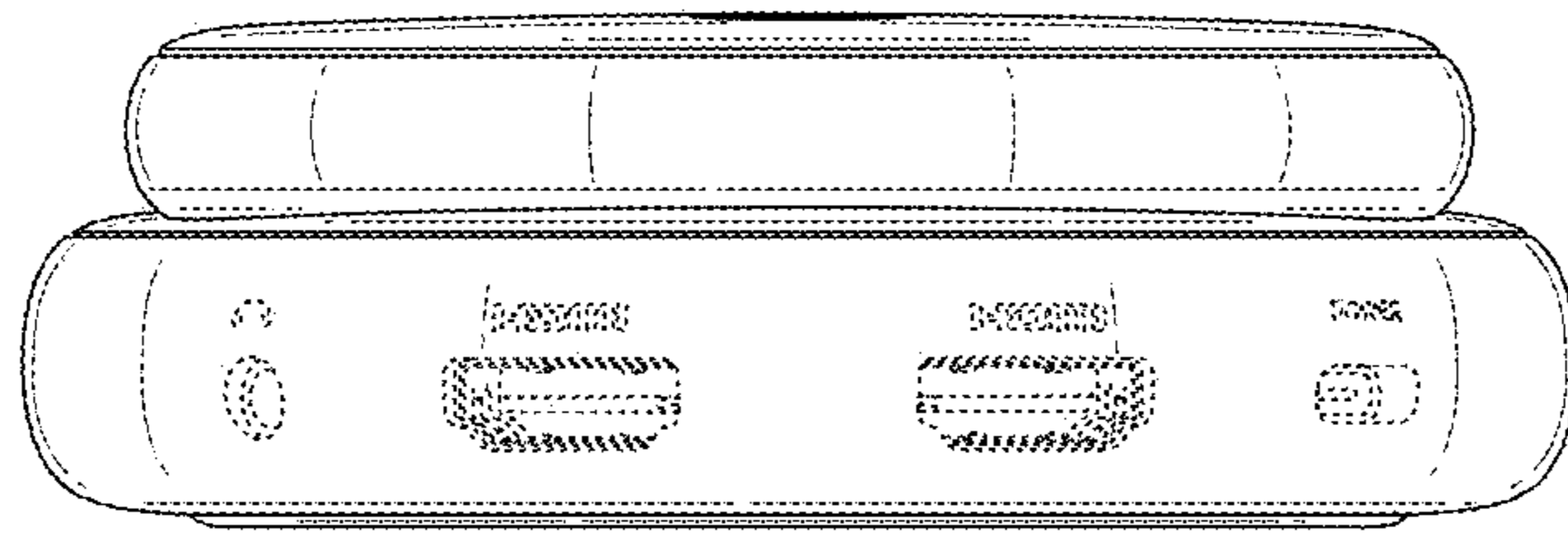


FIG.7

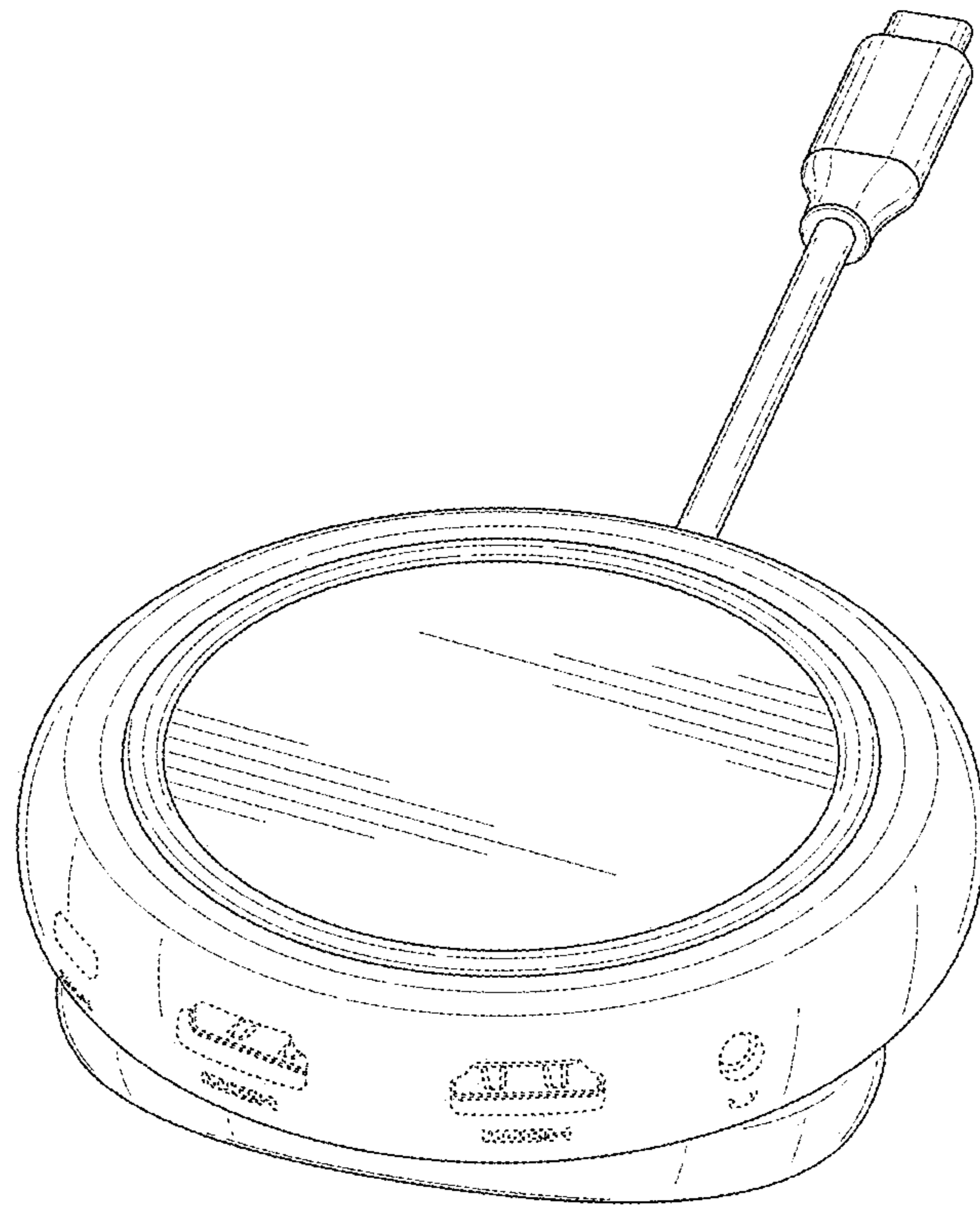


FIG.8