



US00D950559S

(12) **United States Design Patent**
Chen

(10) **Patent No.:** **US D950,559 S**

(45) **Date of Patent:** **** May 3, 2022**

(54) **HDMI USB CONNECTOR**

(71) Applicant: **DONGGUAN ZHONGHUA ELECTRONICS CO., LTD.**,
Dongguan (CN)

(72) Inventor: **Xiaolong Chen**, Yueyang (CN)

(73) Assignee: **DONGGUAN ZHONGHUA ELECTRONICS CO., LTD.**,
Dongguan (CN)

(**) Term: **15 Years**

(21) Appl. No.: **29/772,926**

(22) Filed: **Mar. 4, 2021**

(51) **LOC (13) Cl.** **14-02**

(52) **U.S. Cl.**
USPC **D14/433**

(58) **Field of Classification Search**
USPC D14/356, 432-434, 453, 454, 511, 203.8,
D14/209.1, 238.1, 240, 125; 439/638,
439/928, 105, 502; 710/303, 304;
361/679.41, 679.55, 679.56; D13/110,
D13/133, 146
CPC ... H04L 12/2832; H04L 12/2838; G06F 3/00;
G06F 5/00; G06F 13/14
See application file for complete search history.

(56) **References Cited**

U.S. PATENT DOCUMENTS

D637,159 S 5/2011 Hu
D644,182 S 8/2011 Hu

D889,472 S *	7/2020	Laine	D14/433
D894,904 S *	9/2020	Matsuoka	D14/433
D895,624 S *	9/2020	Liau	D14/433
D908,705 S *	1/2021	Wu	D14/433
D912,675 S *	3/2021	Kim	D14/433
D931,858 S *	9/2021	Zhang	D14/433
D934,253 S *	10/2021	Lee	D14/433
D934,255 S *	10/2021	Yang	D14/433
D935,418 S *	11/2021	Zhang	D13/147
D937,838 S *	12/2021	Laine	D14/433

* cited by examiner

Primary Examiner — Austin Murphy

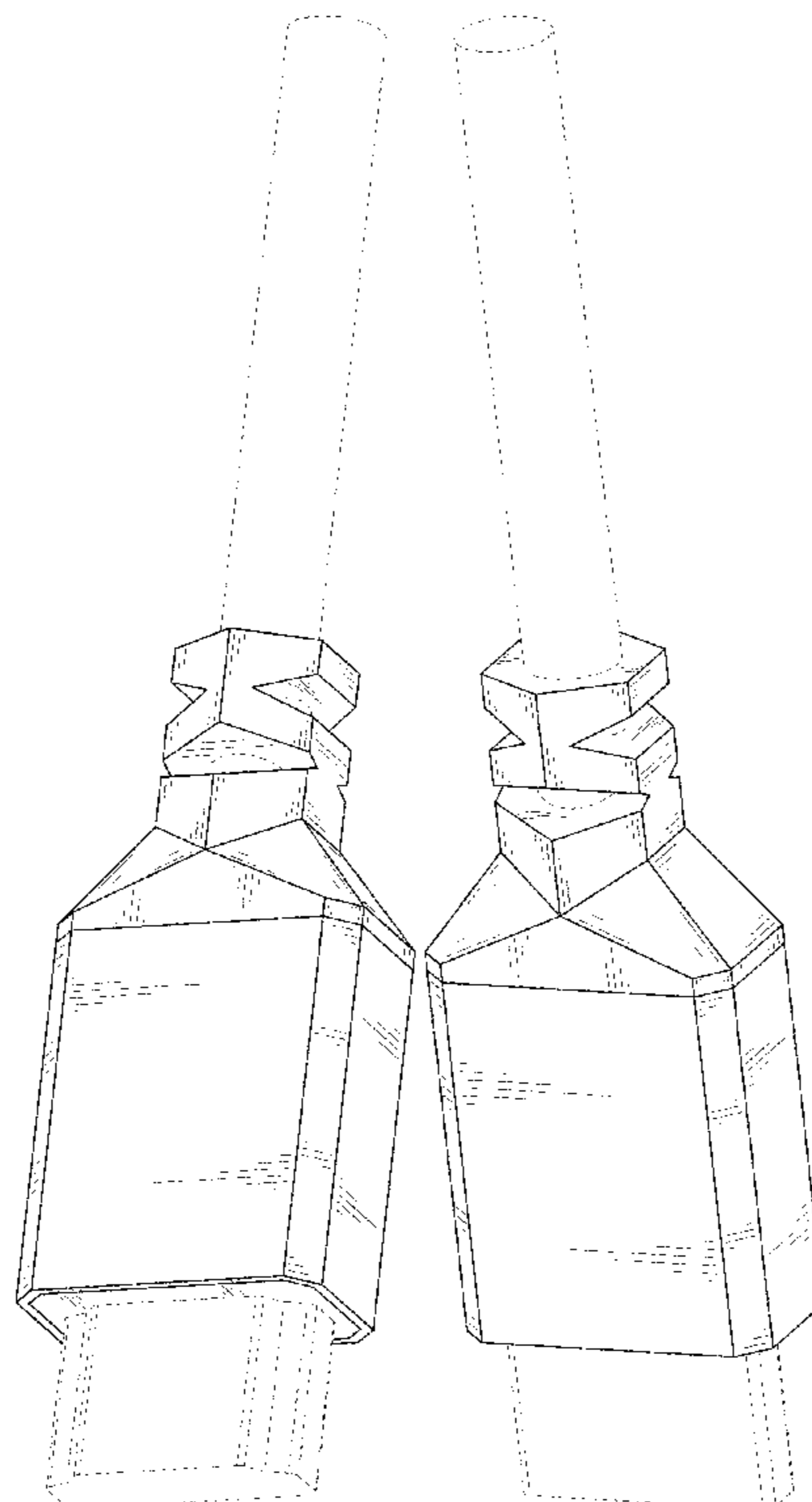
(57) **CLAIM**

The ornamental design for an HDMI USB connector, as shown and described.

DESCRIPTION

FIG. 1 is a perspective view of an HDMI USB connector showing my new design;
FIG. 2 is another perspective view thereof;
FIG. 3 is a front elevational view thereof;
FIG. 4 is a rear elevational view thereof;
FIG. 5 is a left side elevational view thereof;
FIG. 6 is a right side elevational view thereof;
FIG. 7 is a top plan view thereof; and,
FIG. 8 is a bottom plan view thereof.
The broken lines in the drawings depict portions of the HDMI USB connector that form no part of the claimed design.

1 Claim, 8 Drawing Sheets



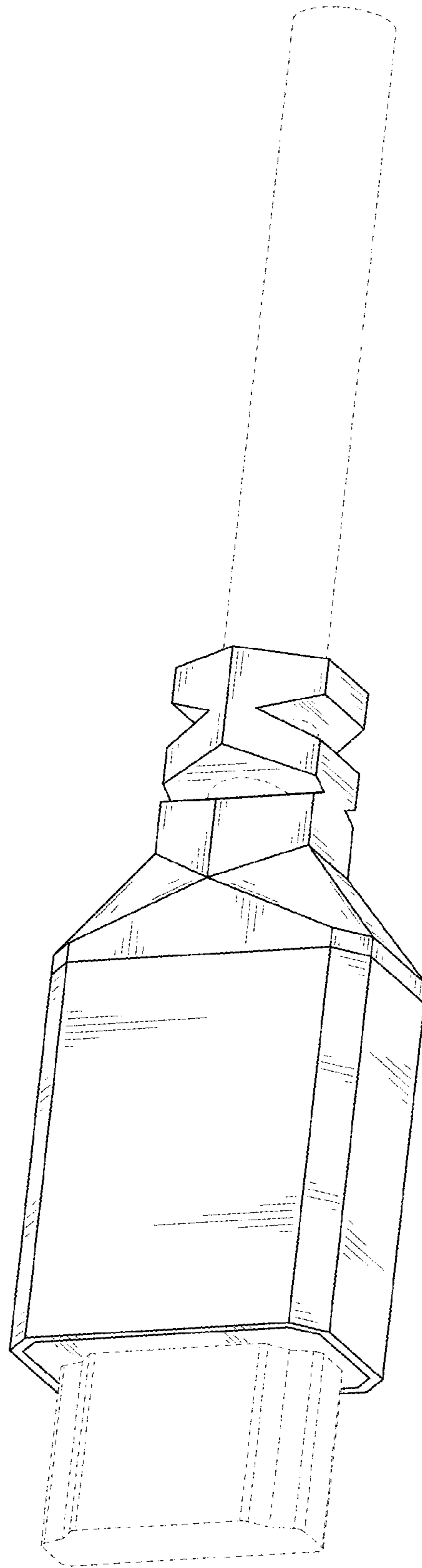


FIG. 1

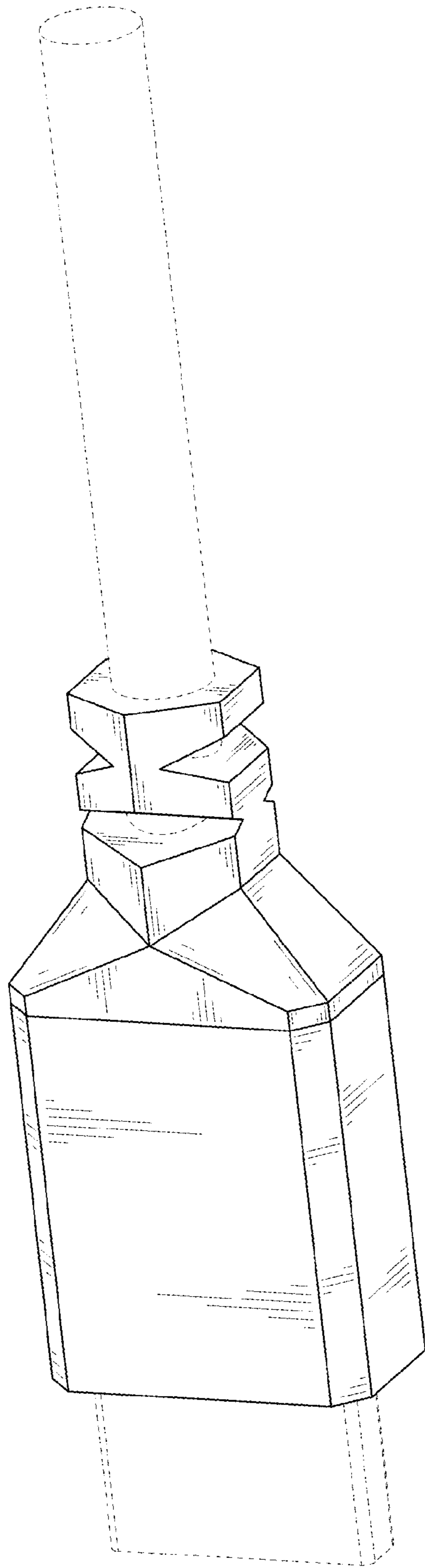


FIG. 2

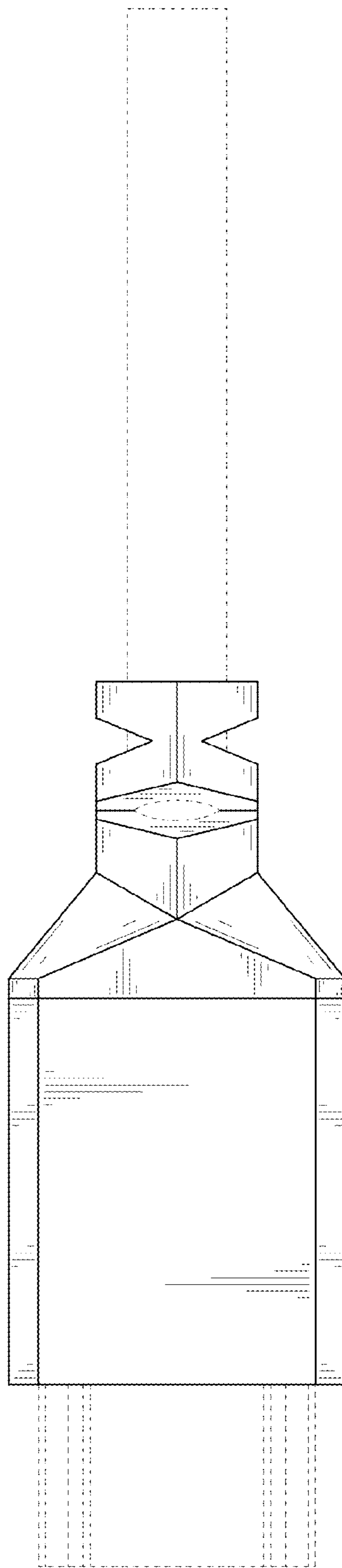


FIG. 3

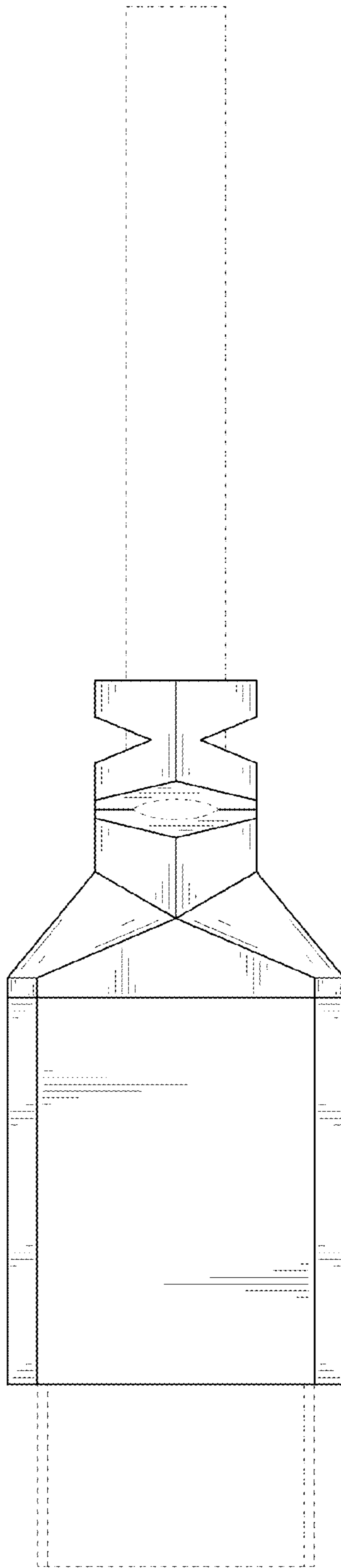


FIG. 4

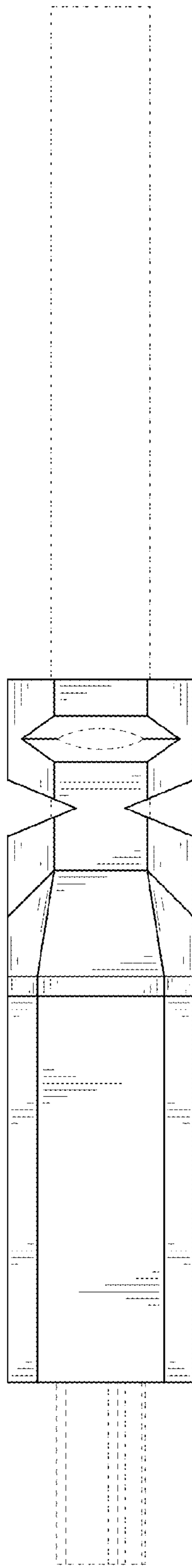


FIG. 5

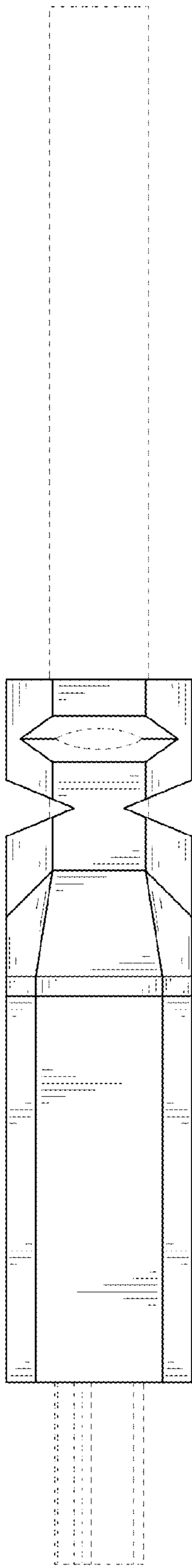


FIG. 6

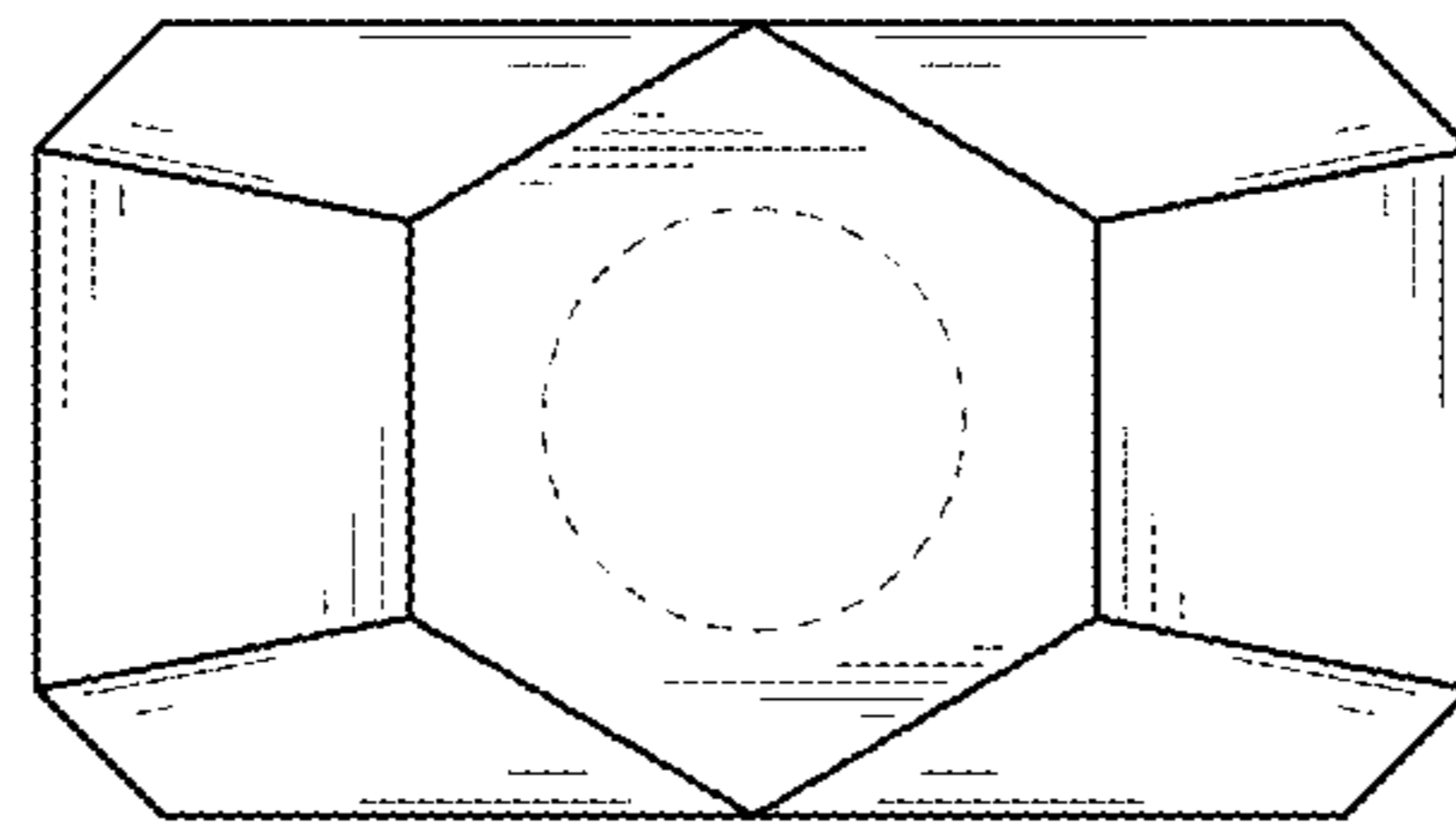


FIG. 7

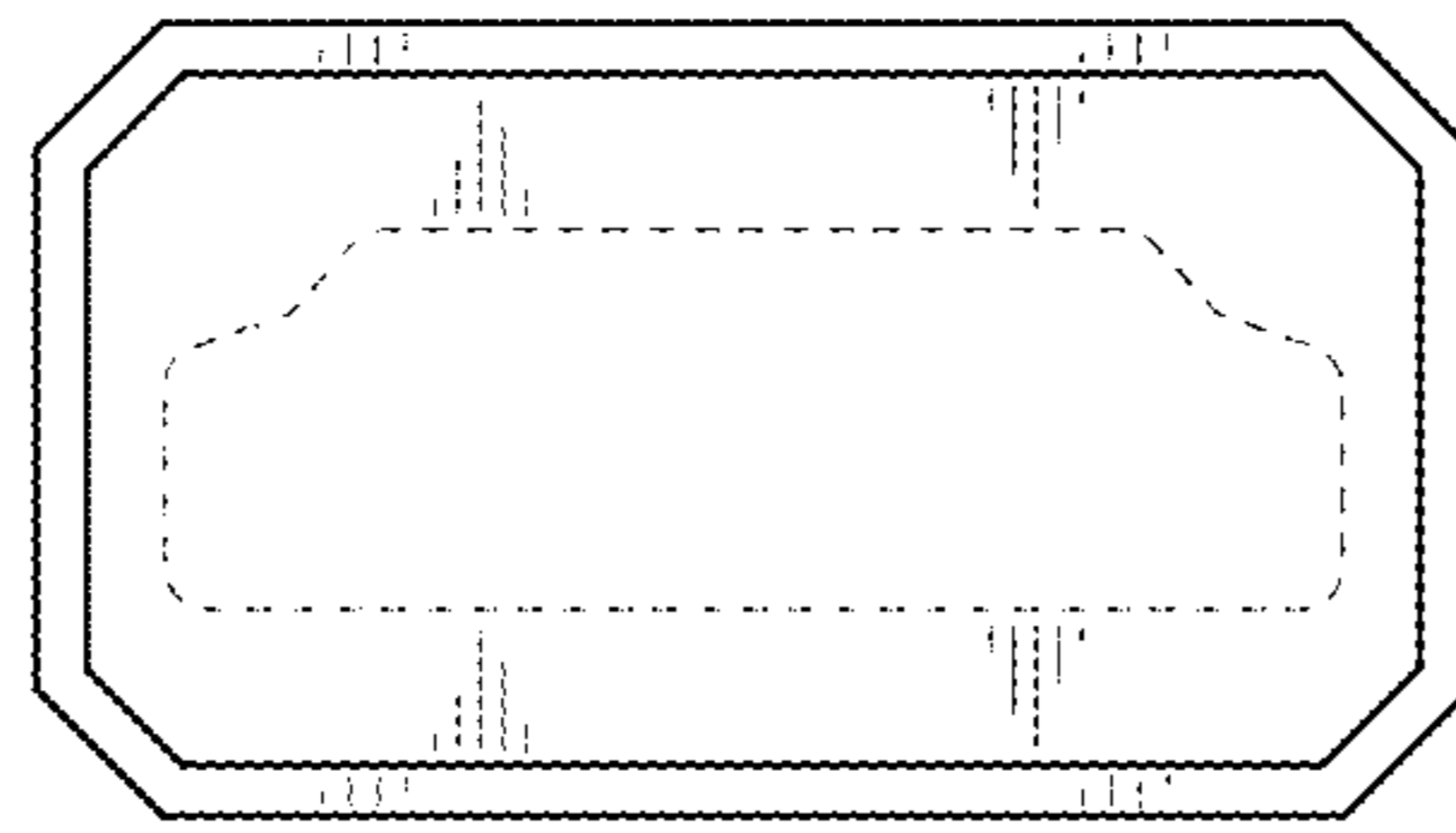


FIG. 8