



US00D950557S

(12) **United States Design Patent** (10) **Patent No.:** **US D950,557 S**
Li et al. (45) **Date of Patent:** **** May 3, 2022**

(54) **KEYSTROKE MECHANISM FOR CLICKPAD**

OTHER PUBLICATIONS

(71) Applicants: **Jhih-Siang Li**, Taipei (TW); **Hsiu-Yu Tsai**, Taipei (TW); **Chih-Hsien Hsiao**, Taipei (TW); **Yau-Yuen Tung**, Taipei (TW)

“Office Action of Taiwan Counterpart Application,” dated Mar. 18, 2019, p. 1-p. 3.

Primary Examiner — Austin Murphy
(74) *Attorney, Agent, or Firm* — JCIPRNET

(72) Inventors: **Jhih-Siang Li**, Taipei (TW); **Hsiu-Yu Tsai**, Taipei (TW); **Chih-Hsien Hsiao**, Taipei (TW); **Yau-Yuen Tung**, Taipei (TW)

(57) **CLAIM**

The ornamental design for a keystroke mechanism for clickpad, as shown and described.

(73) Assignee: **COMPAL ELECTRONICS, INC.**, Taipei (TW)

(**) Term: **15 Years**

DESCRIPTION

(21) Appl. No.: **29/671,201**

(22) Filed: **Nov. 26, 2018**

(30) **Foreign Application Priority Data**

Jun. 1, 2018 (TW) 107303124

(51) **LOC (13) Cl.** **14-02**

(52) **U.S. Cl.**
USPC **D14/432**

(58) **Field of Classification Search**
USPC D14/300–302, 308–313, 314, 348,
D14/353–355, 432, 439–446, 240;
(Continued)

(56) **References Cited**

U.S. PATENT DOCUMENTS

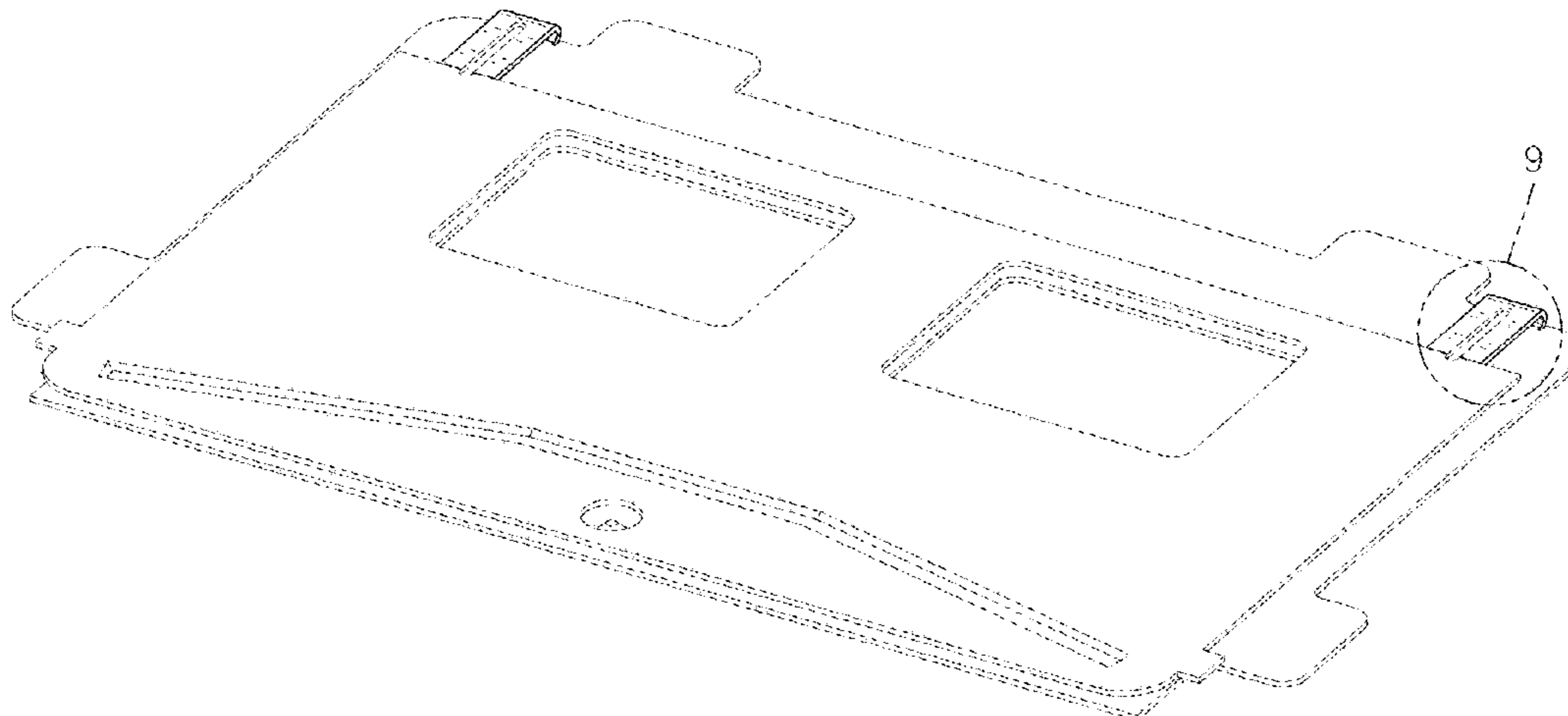
D33,452 S * 10/1900 Pax D19/65
D251,124 S * 2/1979 Takeuchi D19/65
(Continued)

FOREIGN PATENT DOCUMENTS

CN 103197786 7/2013
JP 1537444 11/2015
(Continued)

FIG. 1 is a perspective view of a keystroke mechanism for clickpad showing our new design;
FIG. 2 is a front view thereof;
FIG. 3 is a rear view thereof;
FIG. 4 is a left side view thereof;
FIG. 5 is a right side view thereof;
FIG. 6 is a top view thereof;
FIG. 7 is a bottom view thereof;
FIG. 8 is a perspective view thereof with the keystroke mechanism for clickpad in an unbent state;
FIG. 9 is an enlarged view of the portion, labeled ‘9’ of FIG. 1;
FIG. 10 is an enlarged view of the portion, labeled ‘10’ of FIG. 2;
FIG. 11 is an enlarged view of the portion, labeled ‘11’ of FIG. 3;
FIG. 12 is an enlarged view of the portion, labeled ‘12’ of FIG. 8; and,
FIG. 13 is a front view thereof with the keystroke mechanism mounted under a clickpad (shown in dot-dot-dash broken line) of a base of a notebook computer (shown in heavy dashed broken line).
The dashed broken lines illustrate portions of the keystroke mechanism for clickpad and form no part of the claimed design. The heavy dashed broken lines in FIG. 13 illustrate the base of the notebook computer and form no part of the

(Continued)



claimed design. The dot-dot-dash broken line in FIG. 13 illustrates the clickpad and forms no part of the claimed design.

1 Claim, 11 Drawing Sheets

(58) Field of Classification Search

USPC 361/679.02, 679.31, 679.5, 690, 694,
361/679.23, 801, 802; 312/332.1, 334.1;
D13/162; D10/50

CPC B65H 1/00; B65H 1/266; B65H 2402/441;
B65H 2405/311; B65H 2405/313

See application file for complete search history.

(56) References Cited

U.S. PATENT DOCUMENTS

D265,381 S * 7/1982 Borja D18/34.9
D265,969 S * 8/1982 Koessler D8/354
D280,973 S * 10/1985 Ferrell D8/395
D339,110 S * 9/1993 Steen, Jr. D13/179
D411,979 S * 7/1999 Getz D12/223
6,183,284 B1 * 2/2001 Gill G06F 1/184
211/41.17
D453,294 S * 2/2002 Bitzer D8/395

D485,162 S * 1/2004 Wadsworth D34/10
D530,192 S * 10/2006 Becerra D8/395
7,145,085 B2 * 12/2006 Keating H05K 3/366
174/520
D552,462 S * 10/2007 Boyd D8/395
D582,918 S * 12/2008 Scott D14/432
D670,903 S * 11/2012 Ormsbee D3/215
D721,949 S * 2/2015 Kim D8/395
D769,111 S * 10/2016 Kamiya D8/394
D816,473 S * 5/2018 Blyahman D8/395
D854,406 S * 7/2019 Chen D8/395
D888,608 S * 6/2020 Spater D11/215
D891,240 S * 7/2020 Buczynski D8/395
D893,172 S * 8/2020 Kennard D3/221
D911,159 S * 2/2021 Black D8/394
10,925,417 B2 * 2/2021 Sato A47G 1/20
D912,149 S * 3/2021 Wuyi Lim D20/10
D915,184 S * 4/2021 Tuthill D8/382
10,975,998 B2 * 4/2021 Unruh, Sr. H02G 3/0406
2002/0020045 A1 * 2/2002 Nasu A45F 5/02
24/546
2015/0169005 A1 6/2015 Yanagida

FOREIGN PATENT DOCUMENTS

TW D144332 12/2011
TW D151823 2/2013
TW I579743 4/2017

* cited by examiner

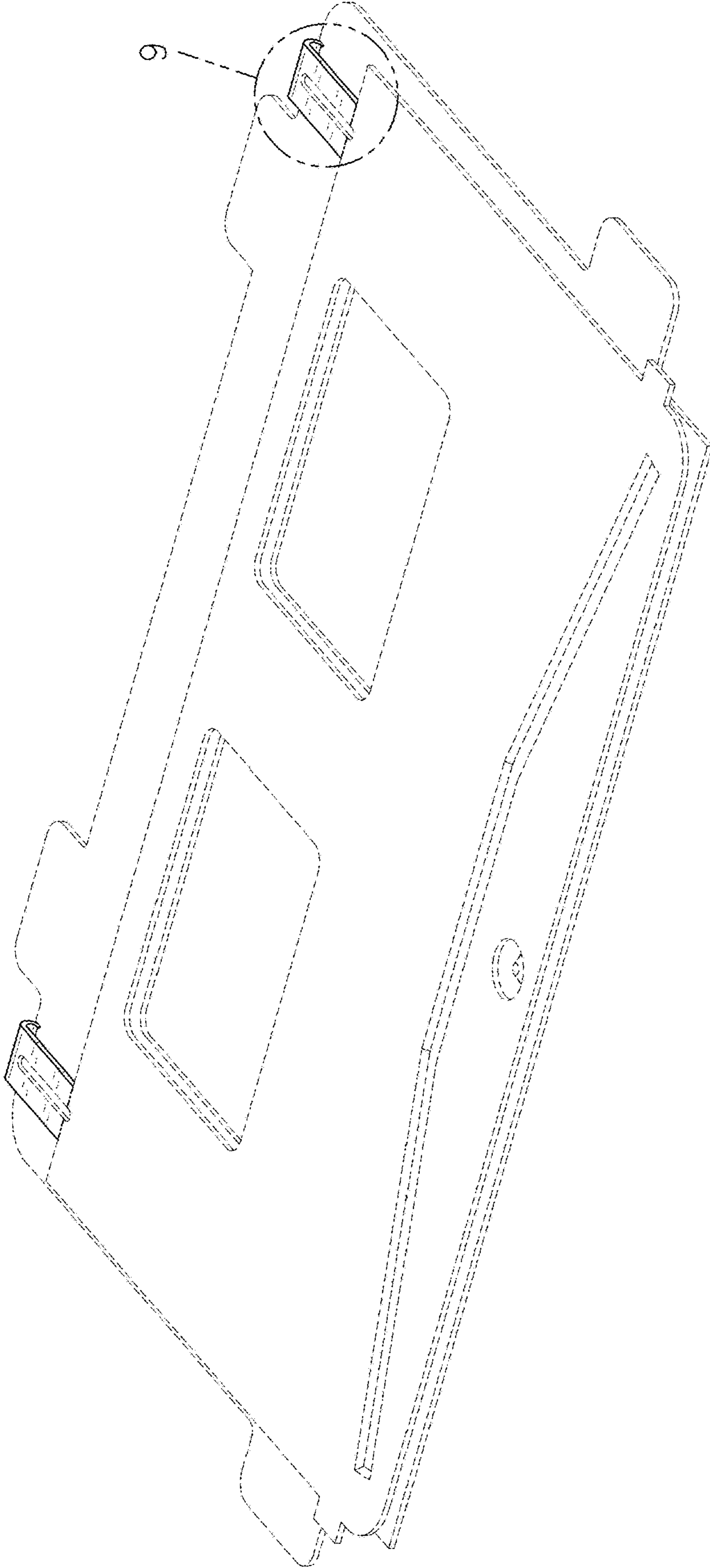


FIG. 1

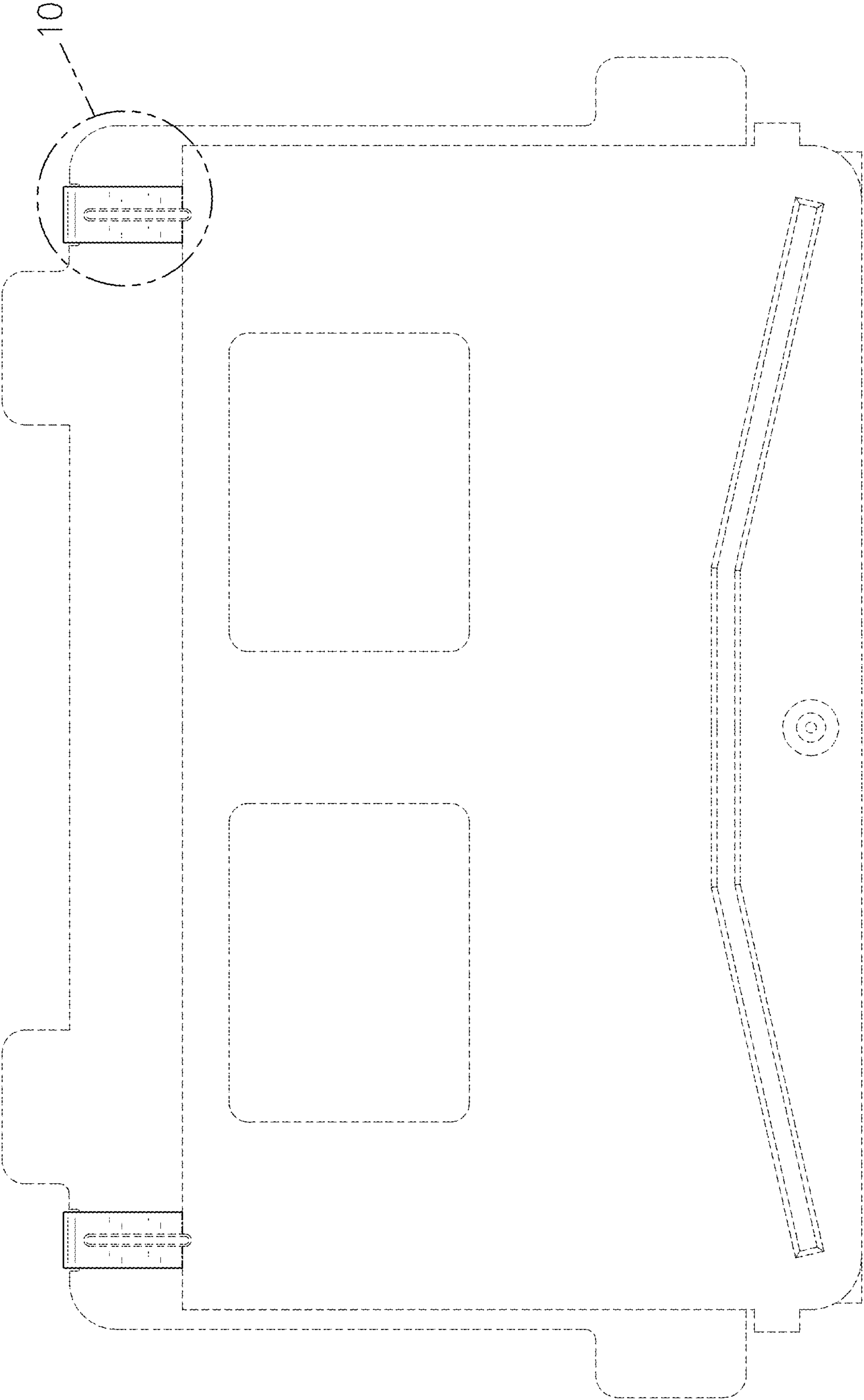


FIG. 2

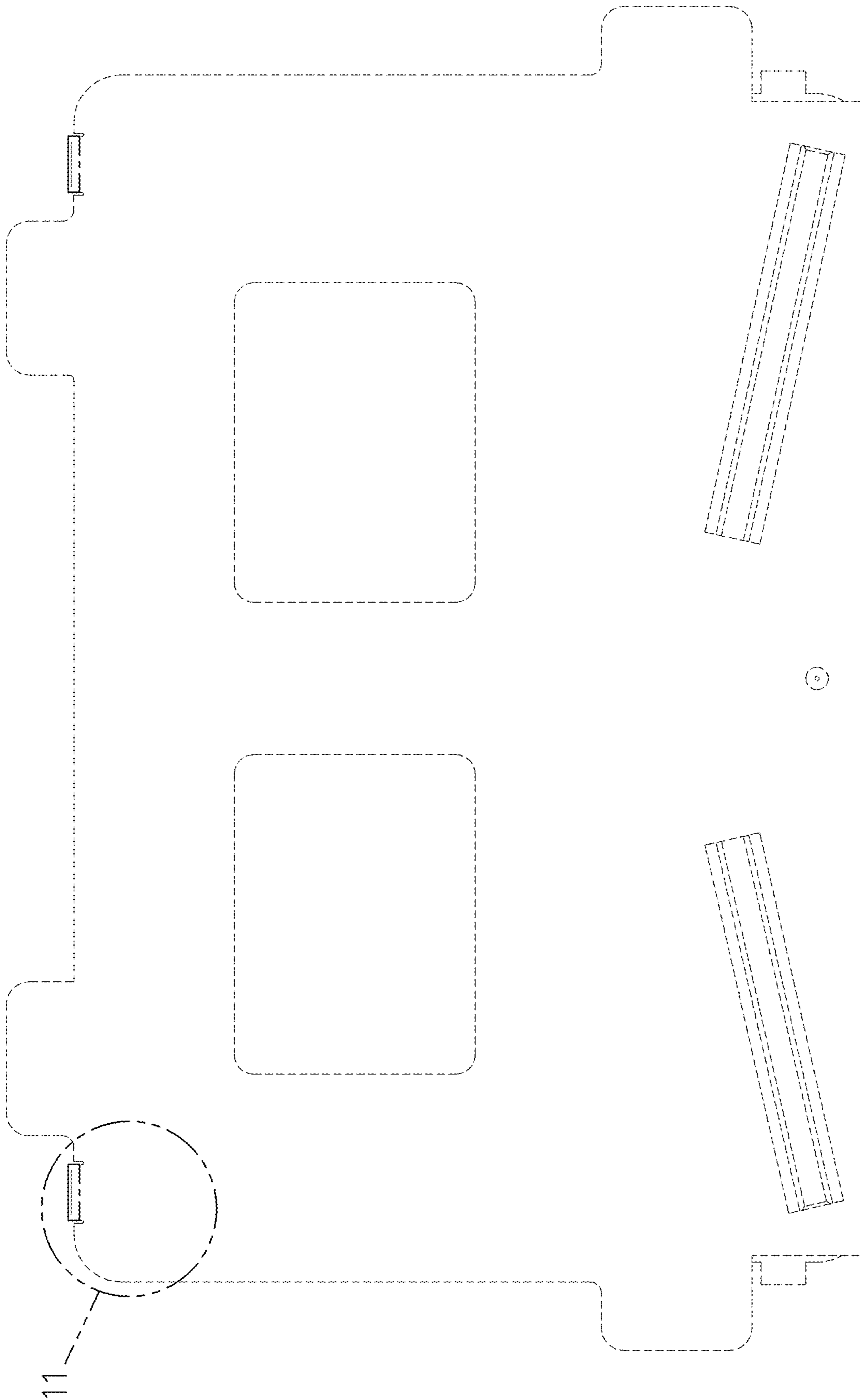


FIG. 3

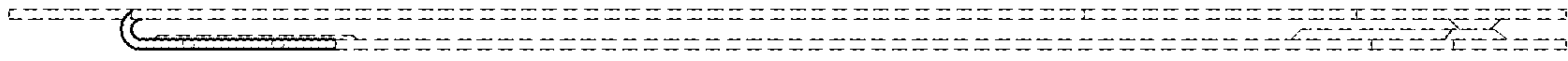


FIG. 5

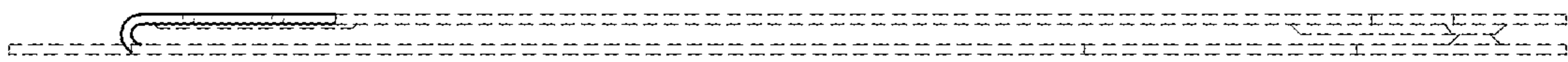


FIG. 4

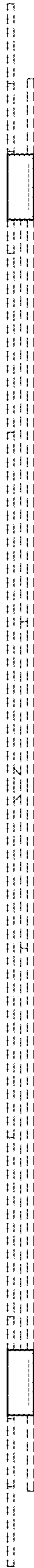


FIG. 6

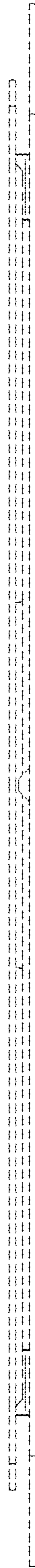


FIG. 7

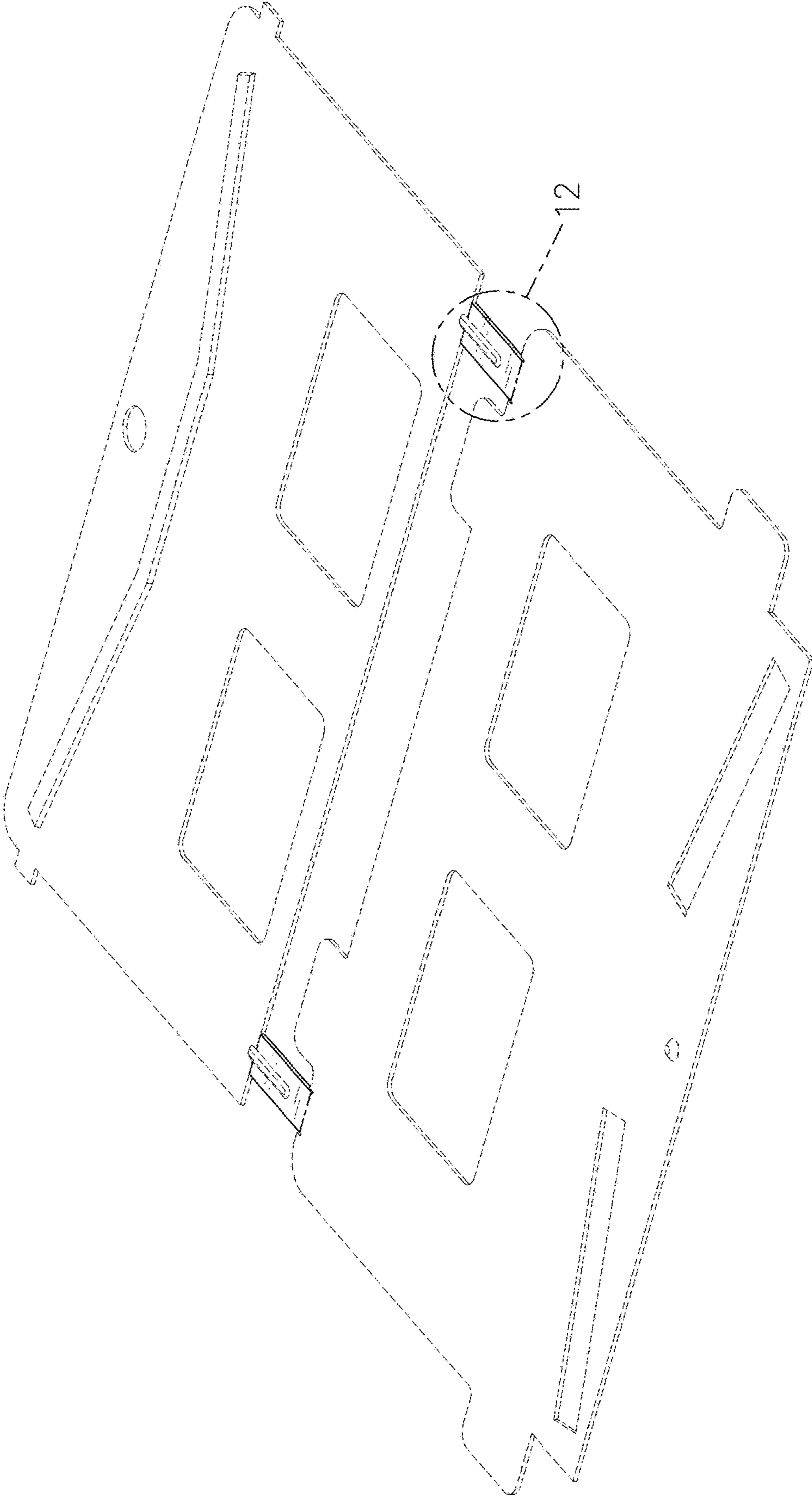


FIG. 8

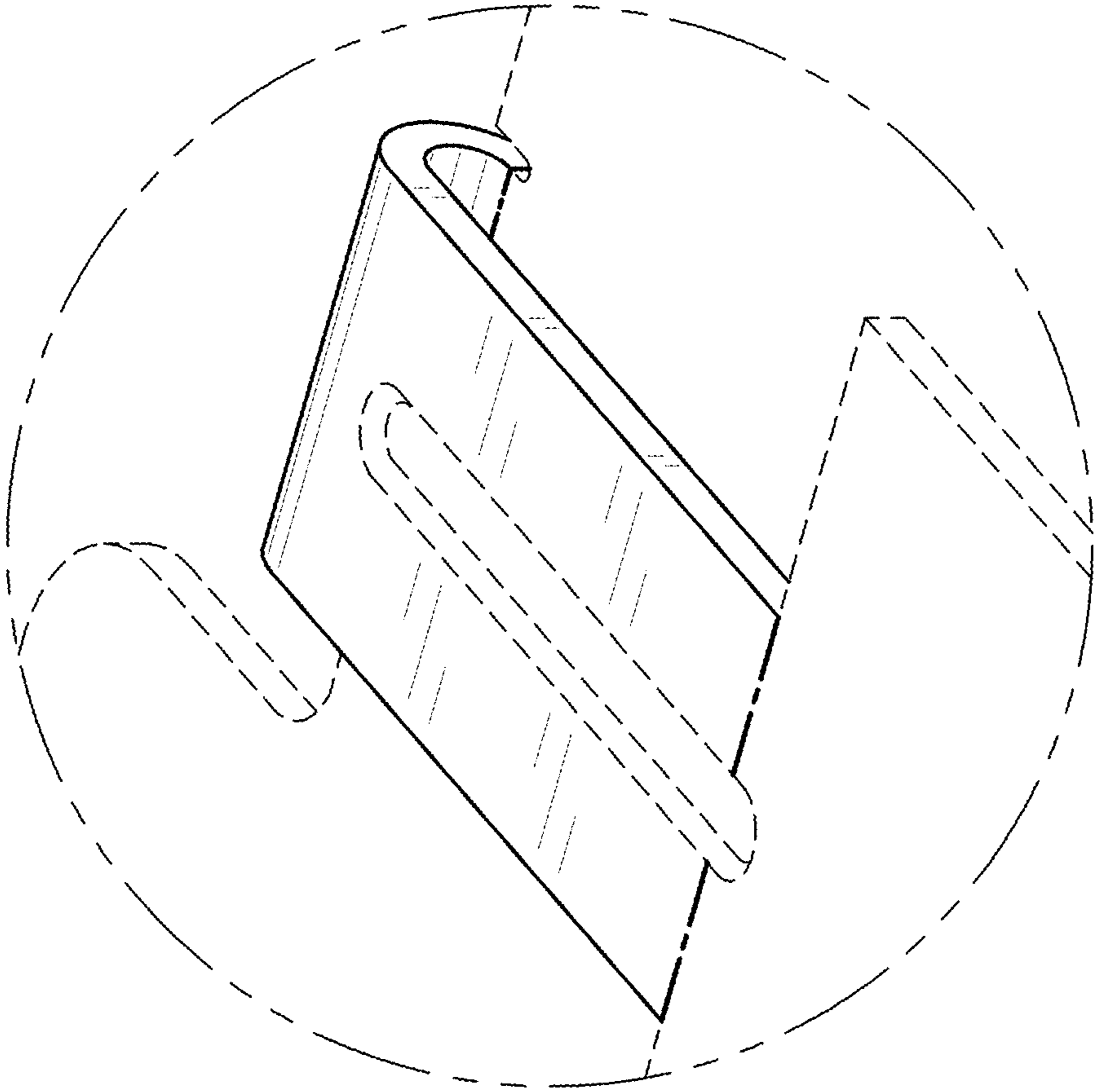


FIG. 9

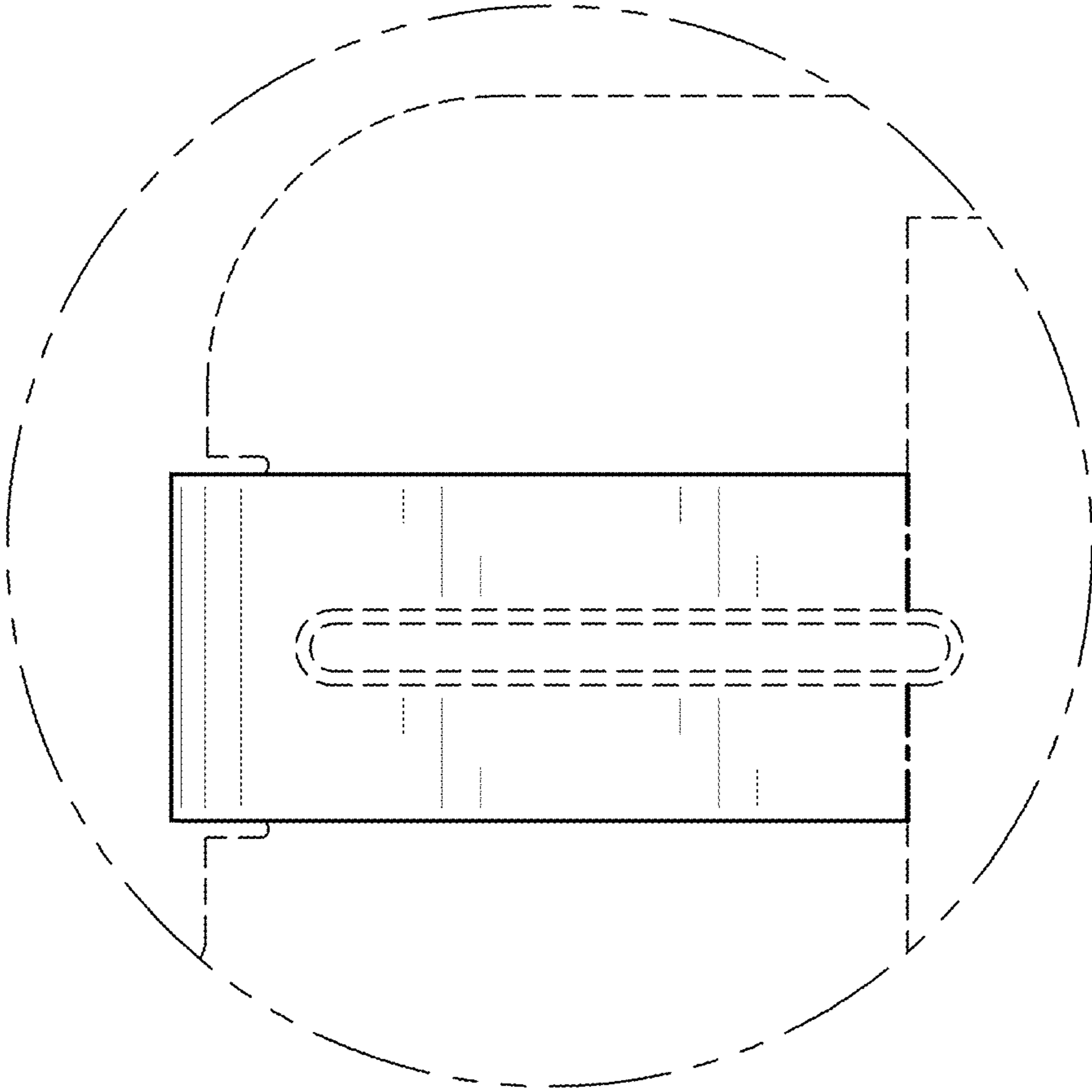


FIG. 10

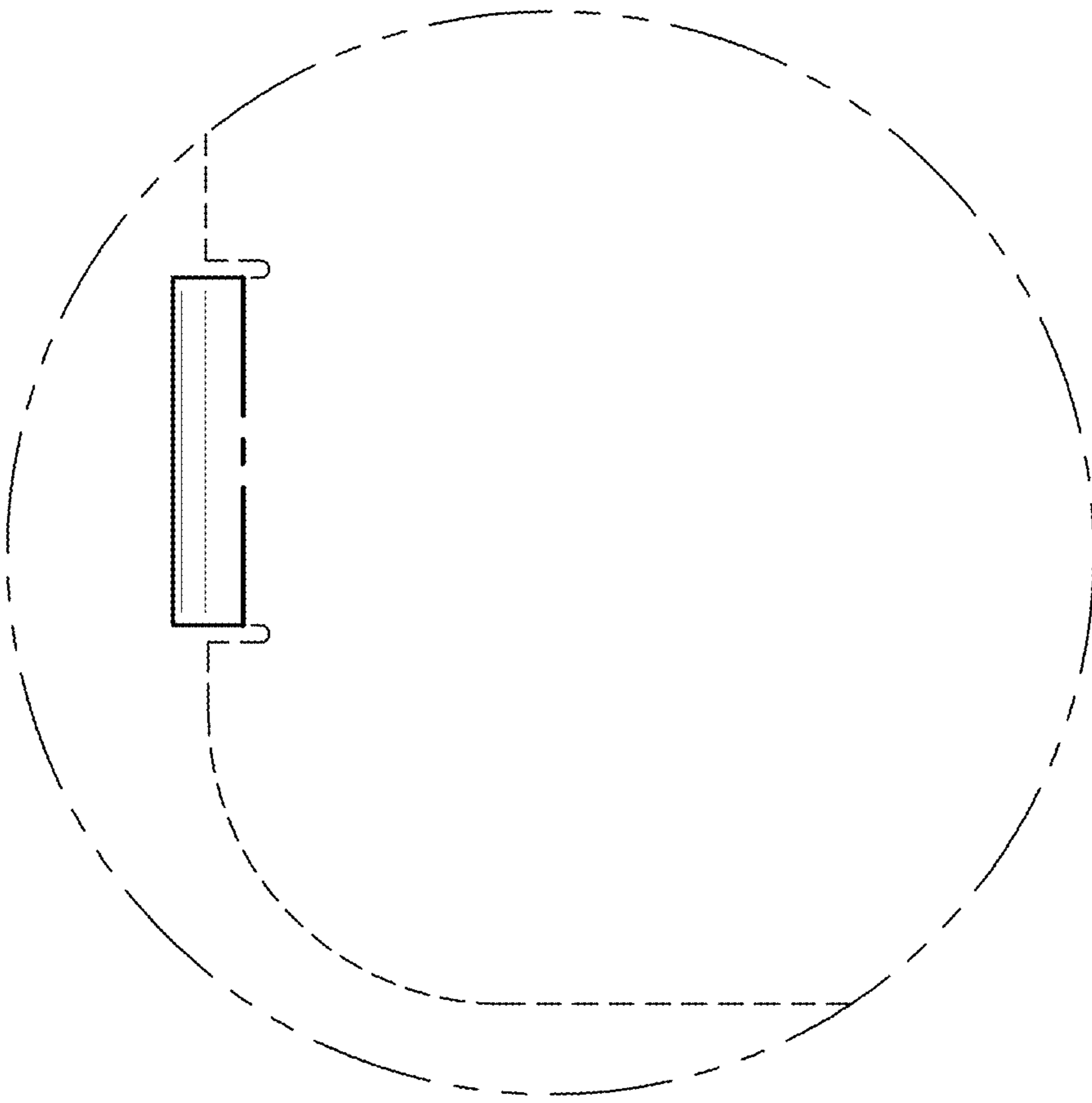


FIG. 11

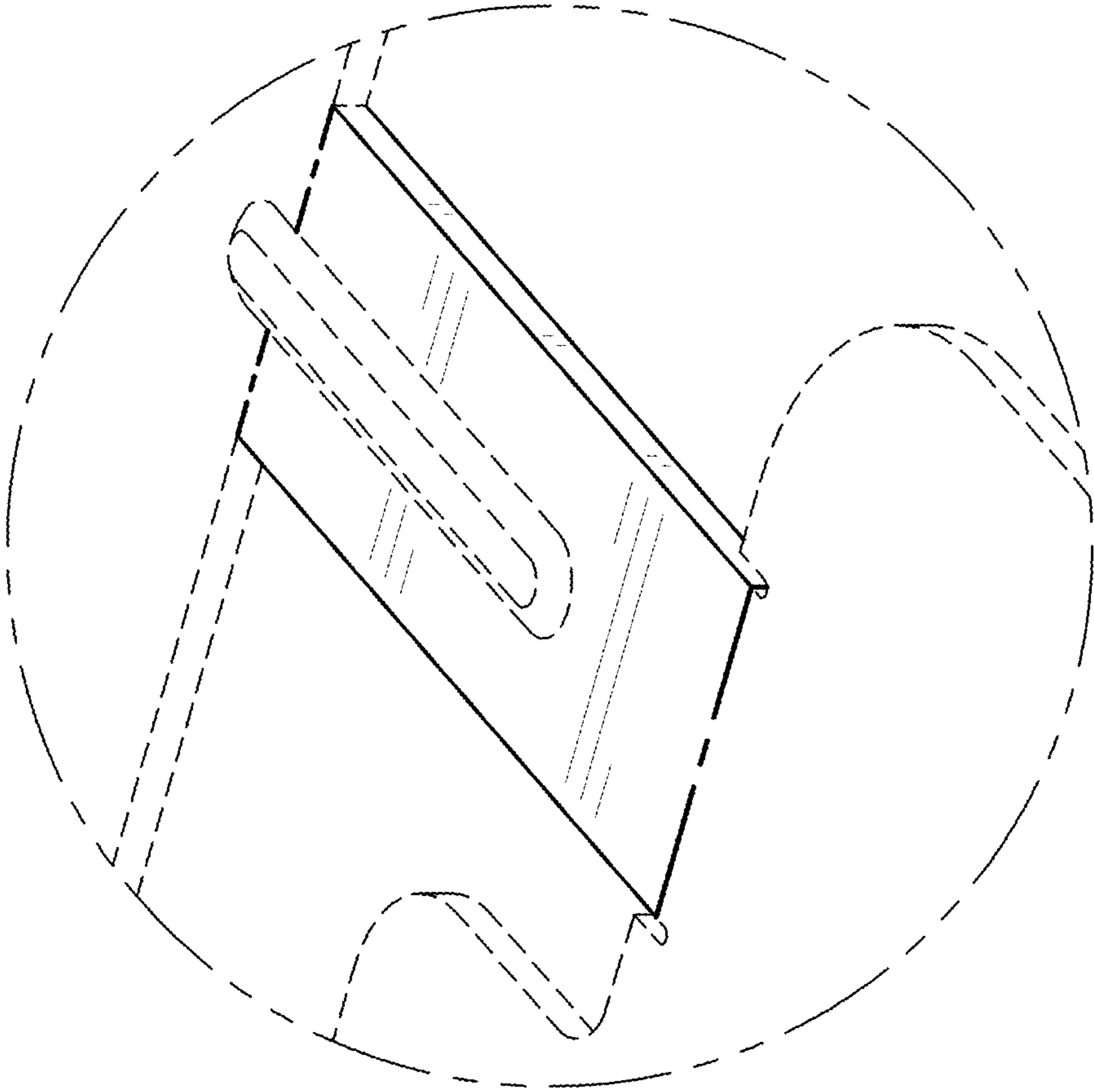


FIG. 12

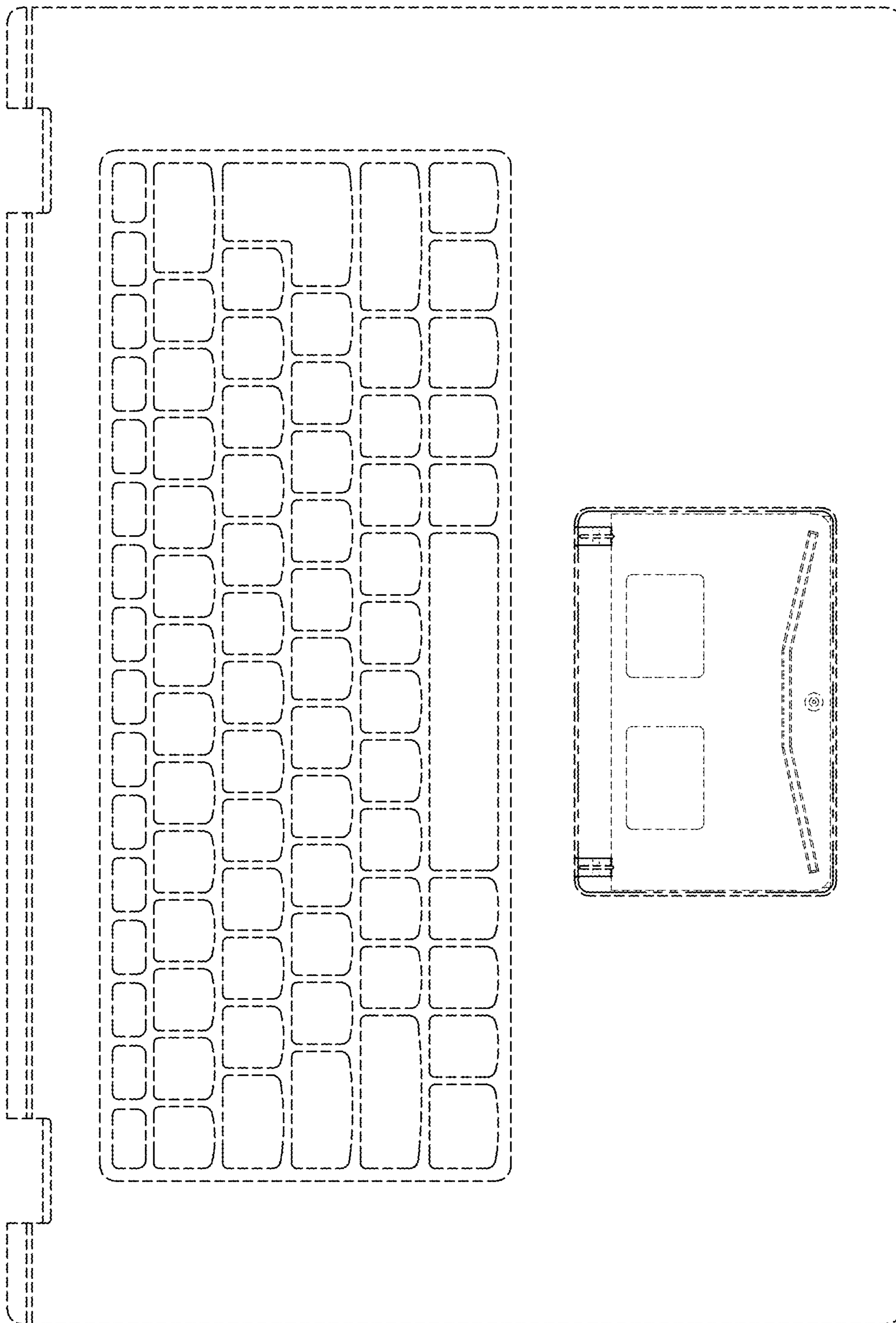


FIG. 13