



US00D950553S

(12) **United States Design Patent**
Sheng et al.

(10) **Patent No.:** **US D950,553 S**
(45) **Date of Patent:** **** May 3, 2022**

- (54) **SCANNER**
- (71) Applicant: **AVISION INC.**, Hsinchu (TW)
- (72) Inventors: **Shao-Lan Sheng**, Hsinchu (TW);
Chao-Yu Peng, Hsinchu (TW)
- (73) Assignee: **AVISION INC.**, Hsinchu (TW)
- (**) Term: **15 Years**
- (21) Appl. No.: **29/758,556**
- (22) Filed: **Nov. 17, 2020**
- (51) **LOC (13) Cl.** **14-02**
- (52) **U.S. Cl.**
USPC **D14/422**
- (58) **Field of Classification Search**
USPC D14/421-425; D18/40, 36-39, 41,
D18/44-56, 34.3; 235/462, 455, 470,
235/462.43, 482, 483; 358/474, 486, 488,
358/496, 498, 452, 449, 451, 453.1, 1.13,
358/1.16; 318/685, 696; 355/81, 75;
399/405, 367, 379, 380; 382/217;
715/209, 222, 226, 274; 400/613,
400/613.1-613.4, 690.1-690.4, 691-694;
271/264, 127, 131, 117, 118, 162
CPC H04N 1/00; H04N 1/12; H04N 1/00013;
H04N 1/00015; H04N 1/00018; H04N
1/00026; H04N 1/00557; H04N 1/00564;
H04N 1/00567; H04N 1/0057; H04N
1/00572; H04N 1/00586; H04N 1/00588;
H04N 1/00591; H04N 1/00594; H04N
1/00596; H04N 1/00604; H04N 1/00519;
H04N 1/00559; H04N 1/1013; H04N
1/10; H04N 1/00551; H04N 1/00278;
H04N 2201/0081; H04N 2201/0456;
H04N 2201/0446; H04N 2201/00; H04N
2201/0094; H04N 1/00525; H04N
1/0049; H04N 1/00493; H04N 1/00496;
H04N 1/00527; H04N 1/0053; H04N
1/00533; H04N 1/00535; H04N 1/00538;
H04N 1/00541; H04N 1/00543; H04N

1/00037; H04N 1/00092; H04N 1/00702;
H04N 1/02815; H04N 1/4076; H04N
1/40056; H04N 1/02845; G03G 15/0142;
G03G 15/605; G03G 15/602; B65H 5/26;
B65H

(Continued)

(56) **References Cited**

U.S. PATENT DOCUMENTS

D466,924 S * 12/2002 Wong D18/55
D516,620 S * 3/2006 Wong D18/55

(Continued)

FOREIGN PATENT DOCUMENTS

JP D1272704 6/2006

Primary Examiner — Susan Moon Lee

(74) *Attorney, Agent, or Firm* — Winston Hsu

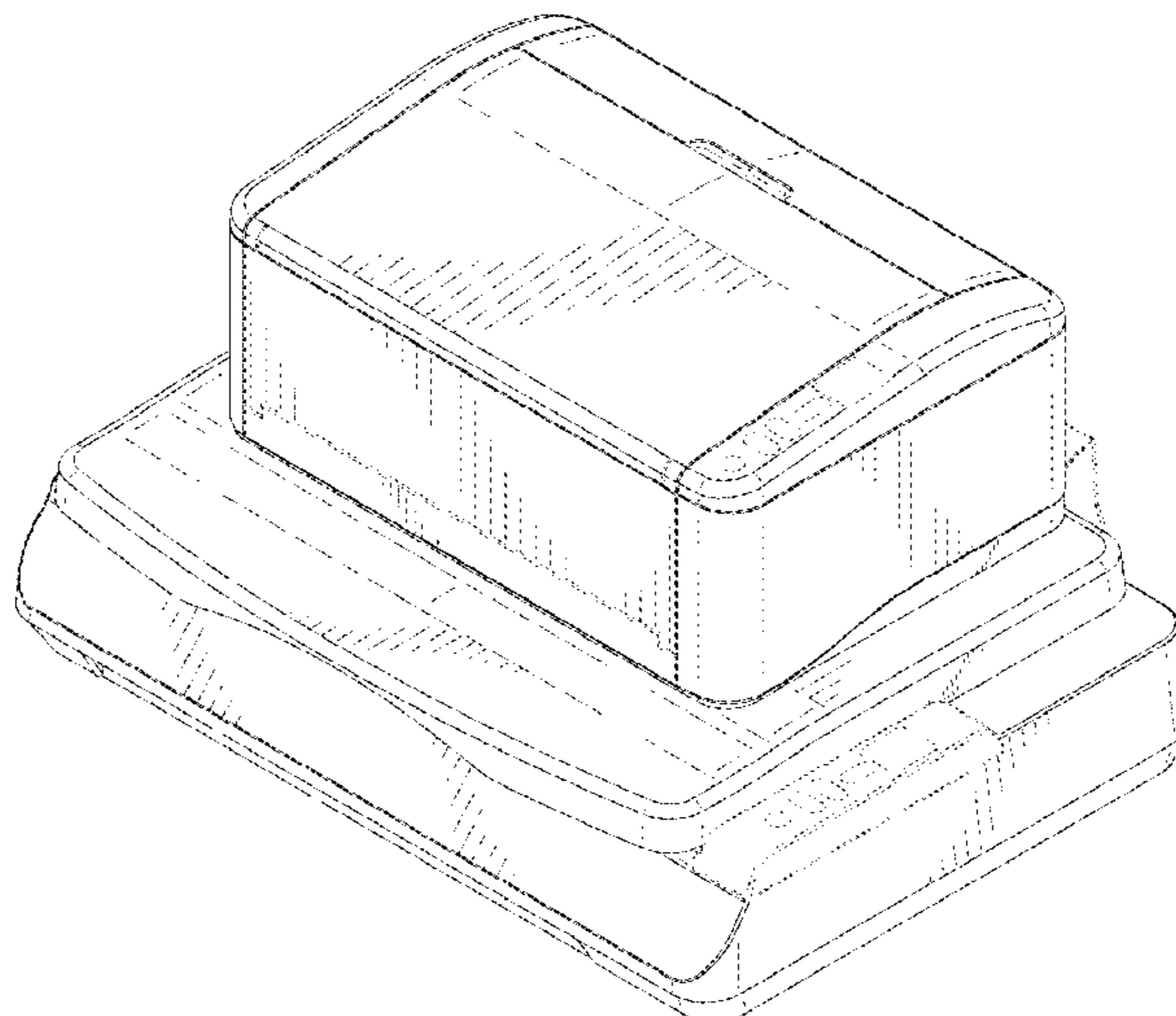
(57) **CLAIM**

The ornamental design for a scanner, as shown and described.

DESCRIPTION

FIG. 1 is a top, front, right side perspective view of a scanner showing our new design;
FIG. 2 is a bottom, rear, left side perspective view thereof;
FIG. 3 is a front elevation view thereof;
FIG. 4 is a rear elevation view thereof;
FIG. 5 is a left side elevation view thereof;
FIG. 6 is a right side elevation view thereof;
FIG. 7 is a top plan view thereof;
FIG. 8 is a bottom plan view thereof;
FIG. 9 is a top, front, right side perspective view thereof, showing the scanner in an opened configuration; and,
FIG. 10 is a right side elevation view thereof, showing the scanner in another opened configuration.
The broken lines depict portions of the scanner that form no part of the claimed design.

1 Claim, 10 Drawing Sheets



(58) **Field of Classification Search**

CPC 5/30; B65H 7/00; B65H 2402/515; B65H 2402/31; B65H 2511/20; B65H 2511/414; B65H 2511/00194; B65H 2511/00198; B65H 2511/00202; B65H 2511/00206; B65H 2301/00; B65H 2220/04; B65H 3/5261; B65H 2513/42

See application file for complete search history.

(56) **References Cited**

U.S. PATENT DOCUMENTS

7,681,984 B2 * 3/2010 Saito H04N 1/00543
347/2
7,722,033 B2 * 5/2010 Matsumoto B65H 1/02
271/145
7,731,350 B2 * 6/2010 Yamamoto B41J 13/103
271/9.12
D643,039 S * 8/2011 Wilday D18/50
D648,379 S * 11/2011 Ishikawa D18/50
8,081,352 B2 * 12/2011 Ogushi H04N 1/00519
355/128
D667,050 S * 9/2012 Takeuchi D18/50
D682,328 S * 5/2013 Day D15/146
D685,413 S * 7/2013 Jihoon D18/50
8,564,852 B2 * 10/2013 Oshima H04N 1/00551
271/226

D718,314 S * 11/2014 Chan D14/422
D723,034 S * 2/2015 Chin D14/422
D723,562 S * 3/2015 Inada D14/422
D735,723 S * 8/2015 He D14/422
9,415,954 B2 * 8/2016 Ukai B65H 1/02
D797,744 S * 9/2017 Tan D14/422
9,815,281 B2 * 11/2017 Lin B41J 29/13
D815,194 S * 4/2018 Villalobos D18/50
D818,039 S * 5/2018 Tomomatsu D18/50
D818,527 S * 5/2018 Inada D18/50
D827,022 S * 8/2018 Yamashita D18/50
D850,528 S * 6/2019 Gosselin D18/50
10,421,301 B2 * 9/2019 Taketsugu B41J 29/54
D881,887 S * 4/2020 Peng D14/422
D893,600 S * 8/2020 Dwyer D18/50
D895,621 S * 9/2020 Peng D14/422
D923,701 S * 6/2021 Lim D18/50
11,039,026 B2 * 6/2021 Sheng H04N 1/00538
D929,995 S * 9/2021 Peng D14/422
2008/0225347 A1 * 9/2008 Hwang H04N 1/04
358/474
2013/0057932 A1 * 3/2013 Mukai H04N 1/00989
358/498
2013/0163056 A1 * 6/2013 Hanayama H04N 1/00037
358/474
2015/0294195 A1 * 10/2015 Shirota B41J 29/02
358/1.8

* cited by examiner

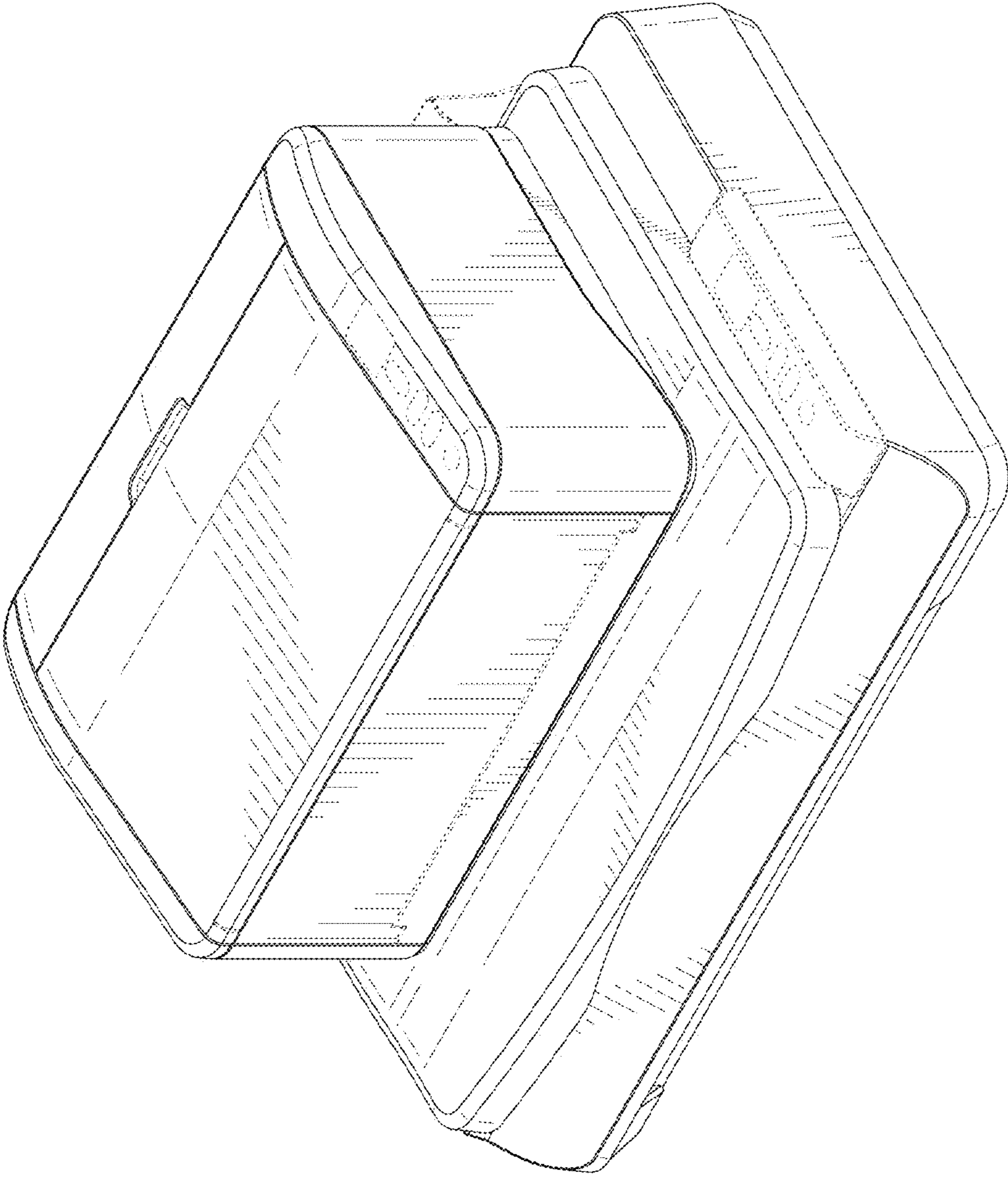


FIG. 1

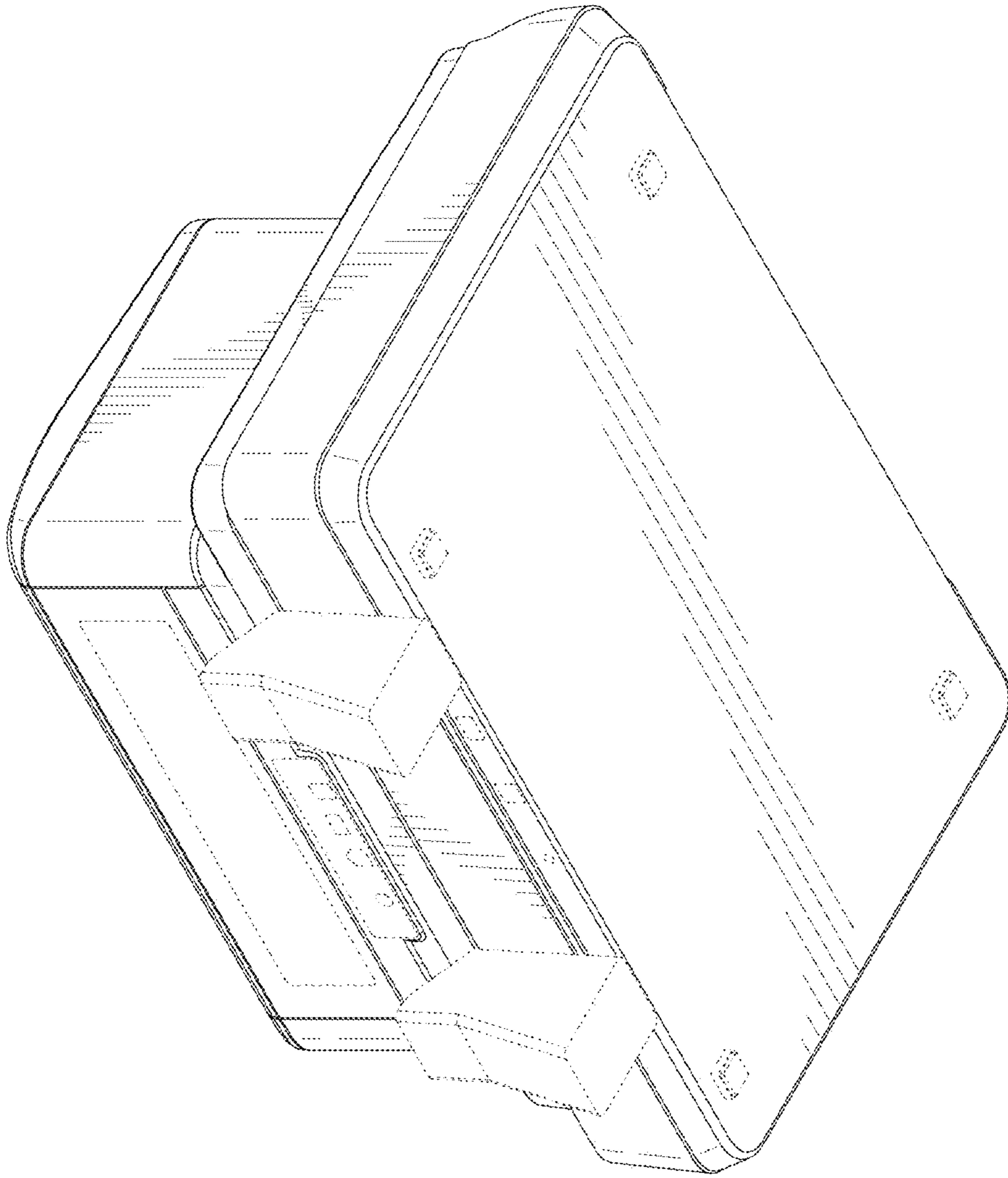


FIG. 2

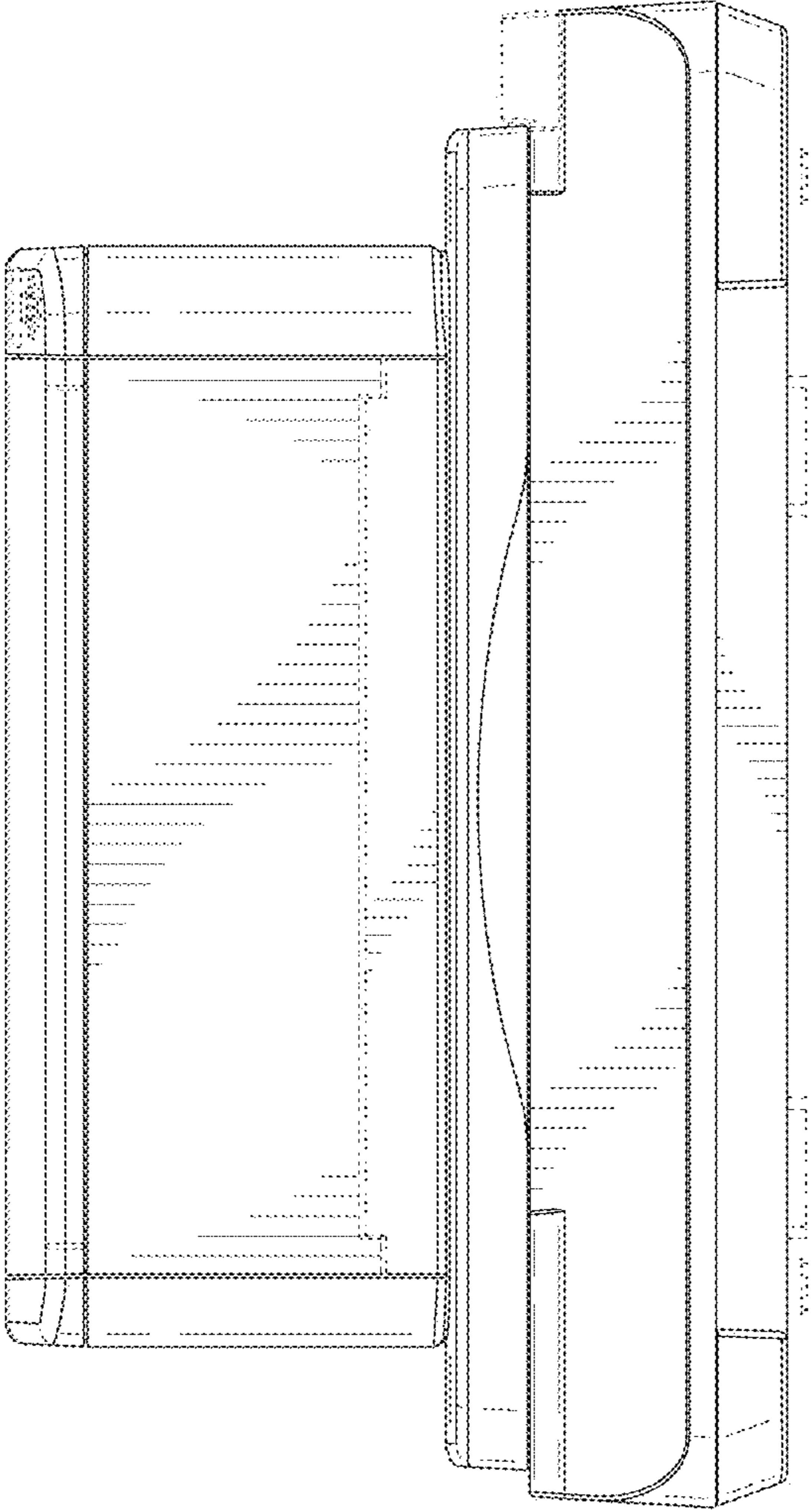


FIG. 3

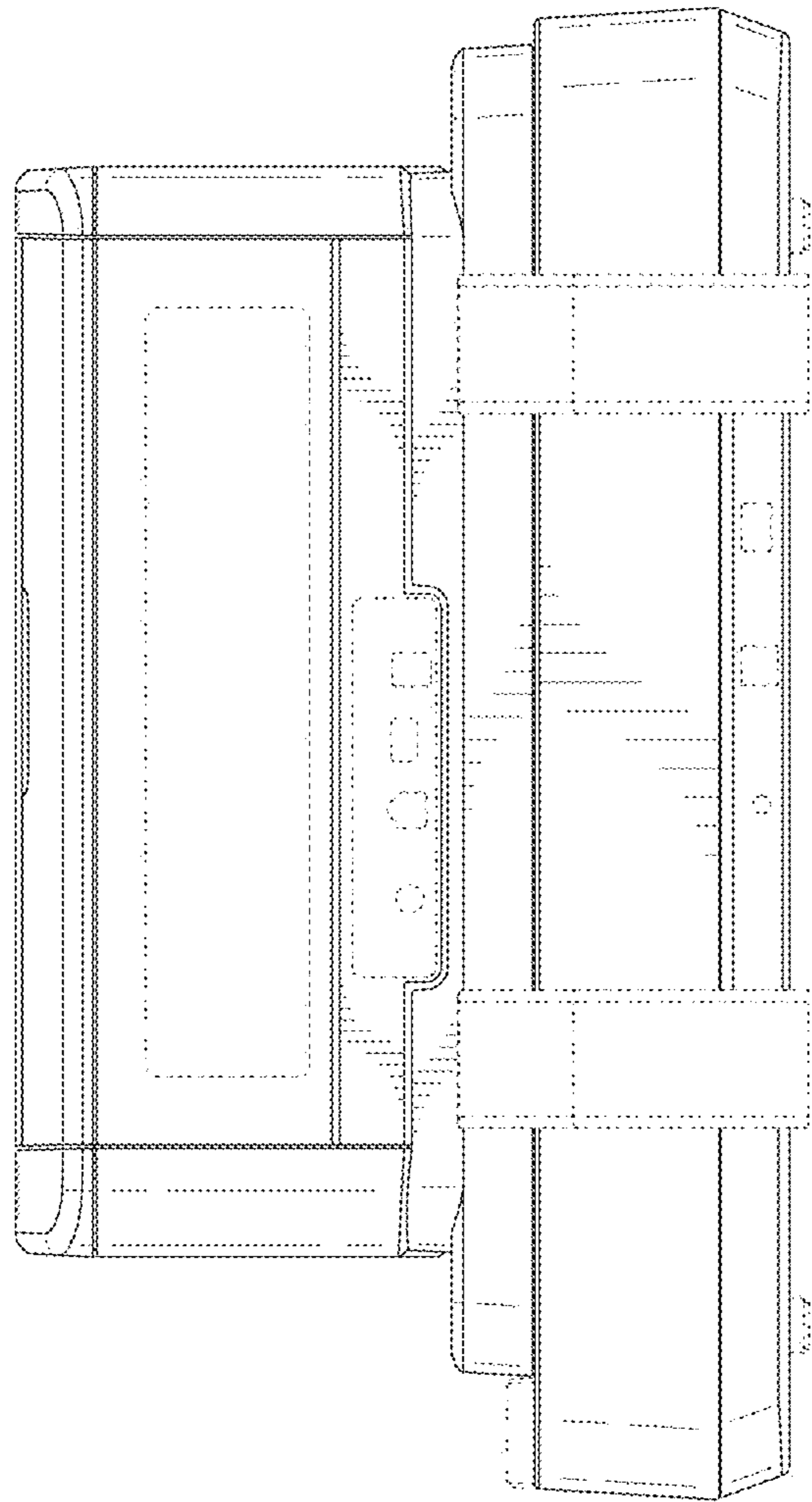


FIG. 4

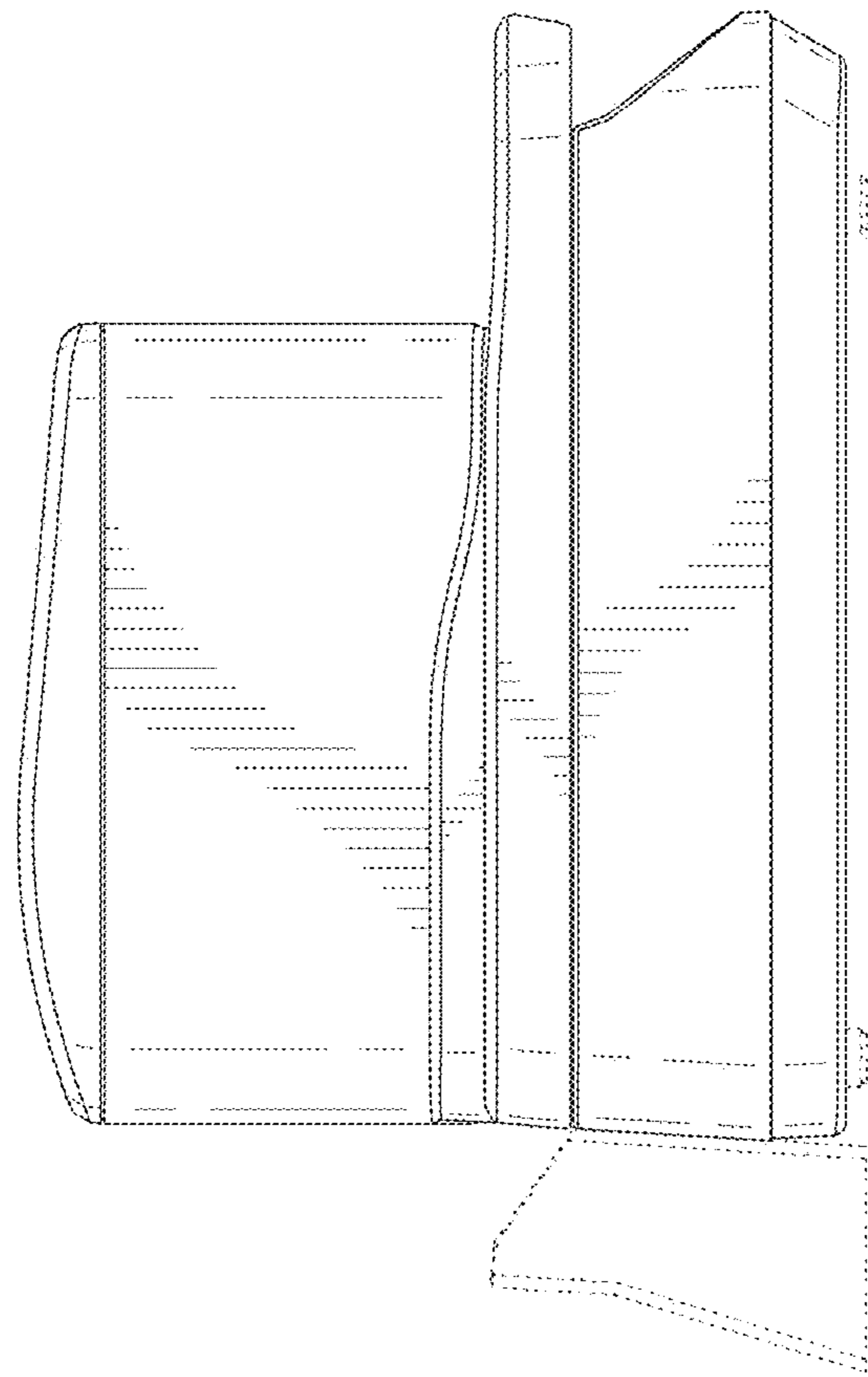


FIG. 5

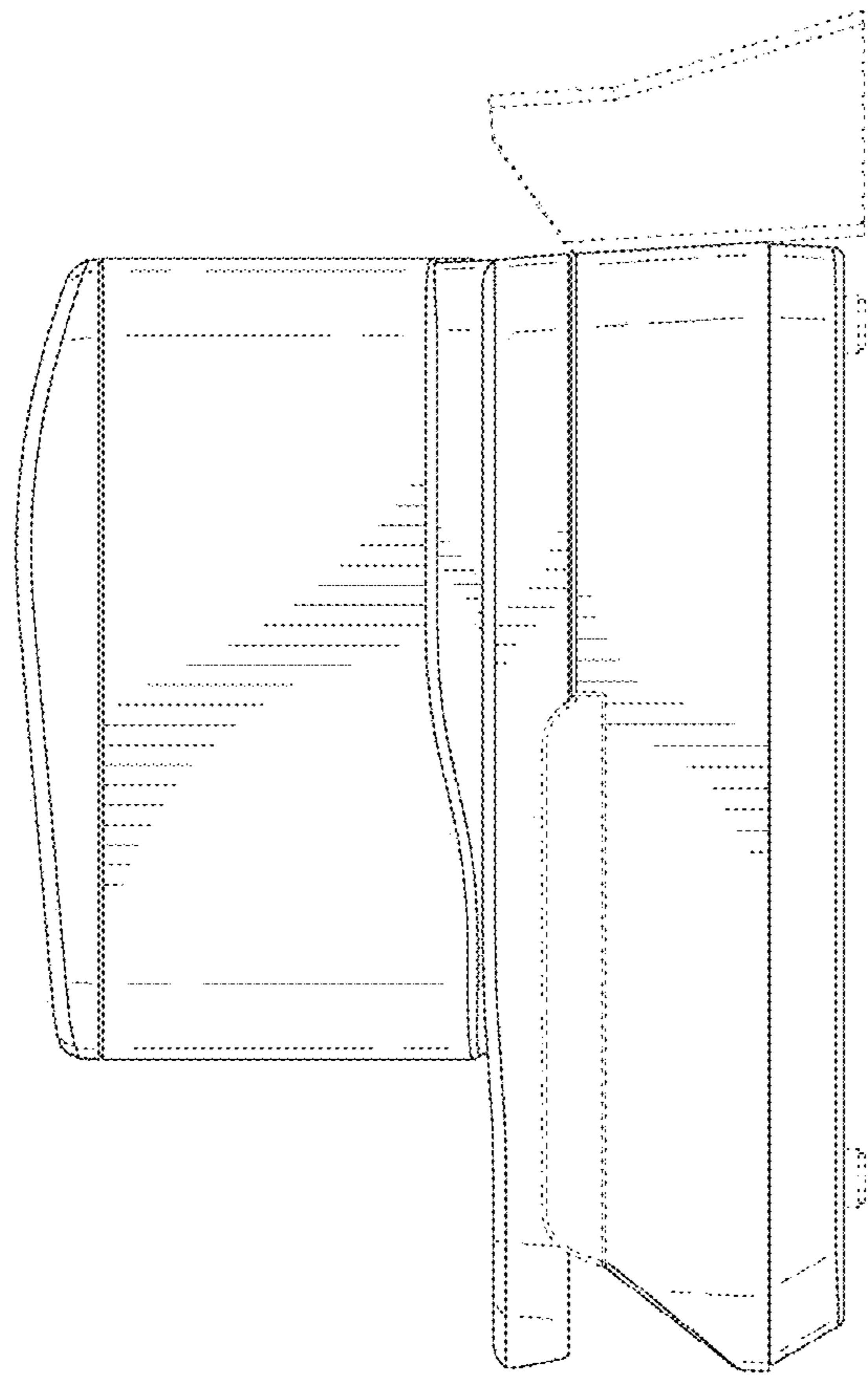


FIG. 6

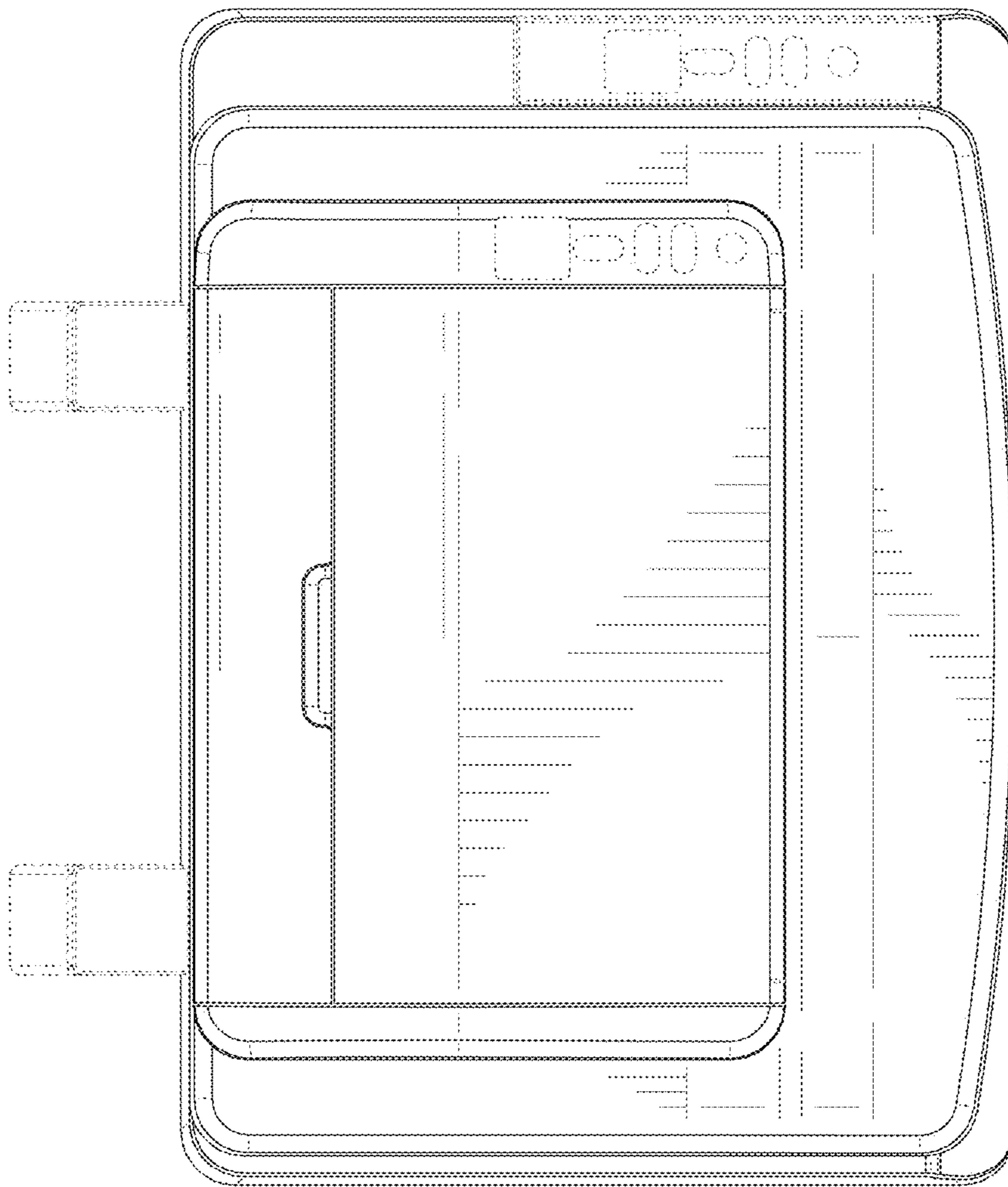


FIG. 7

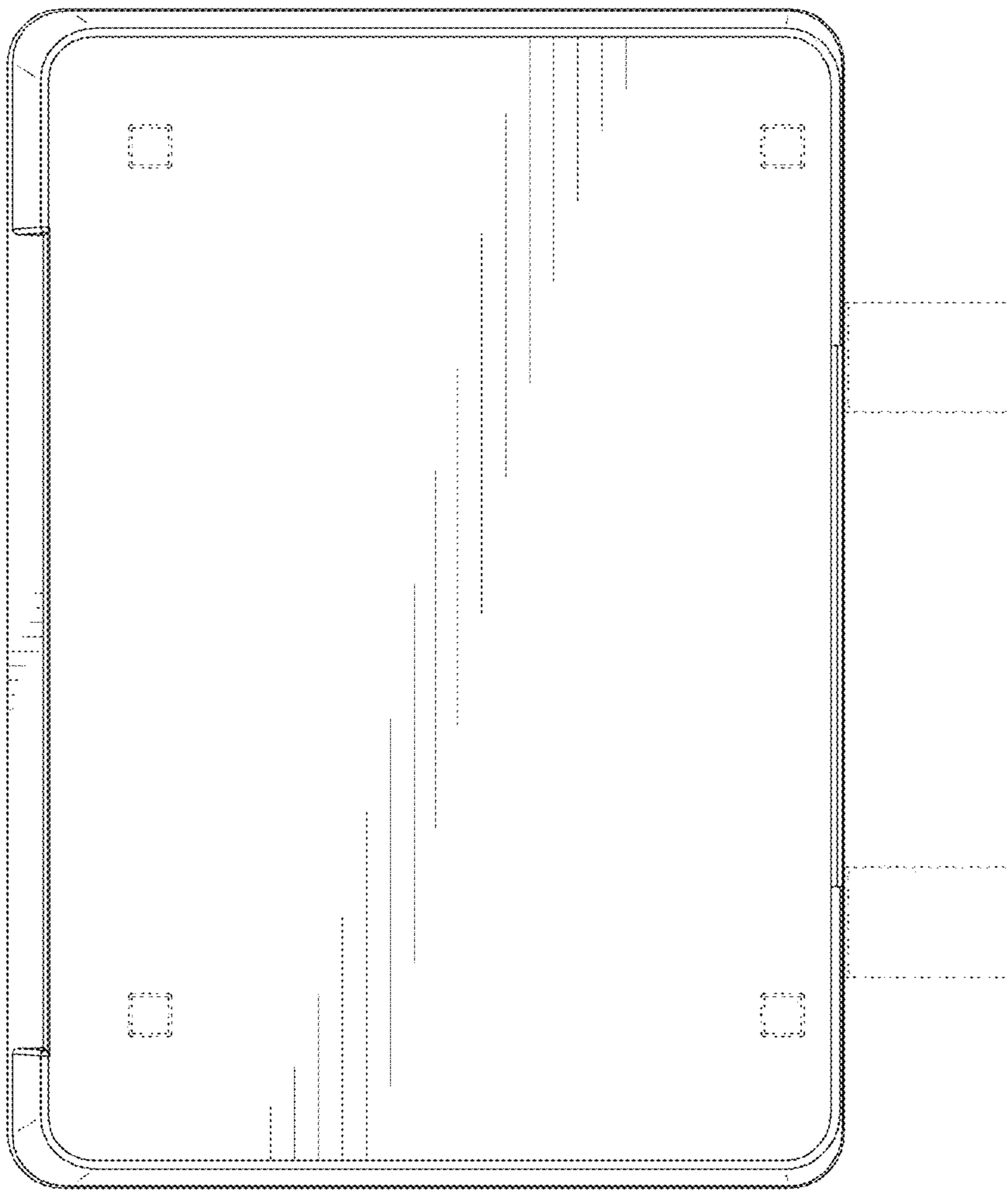


FIG. 8

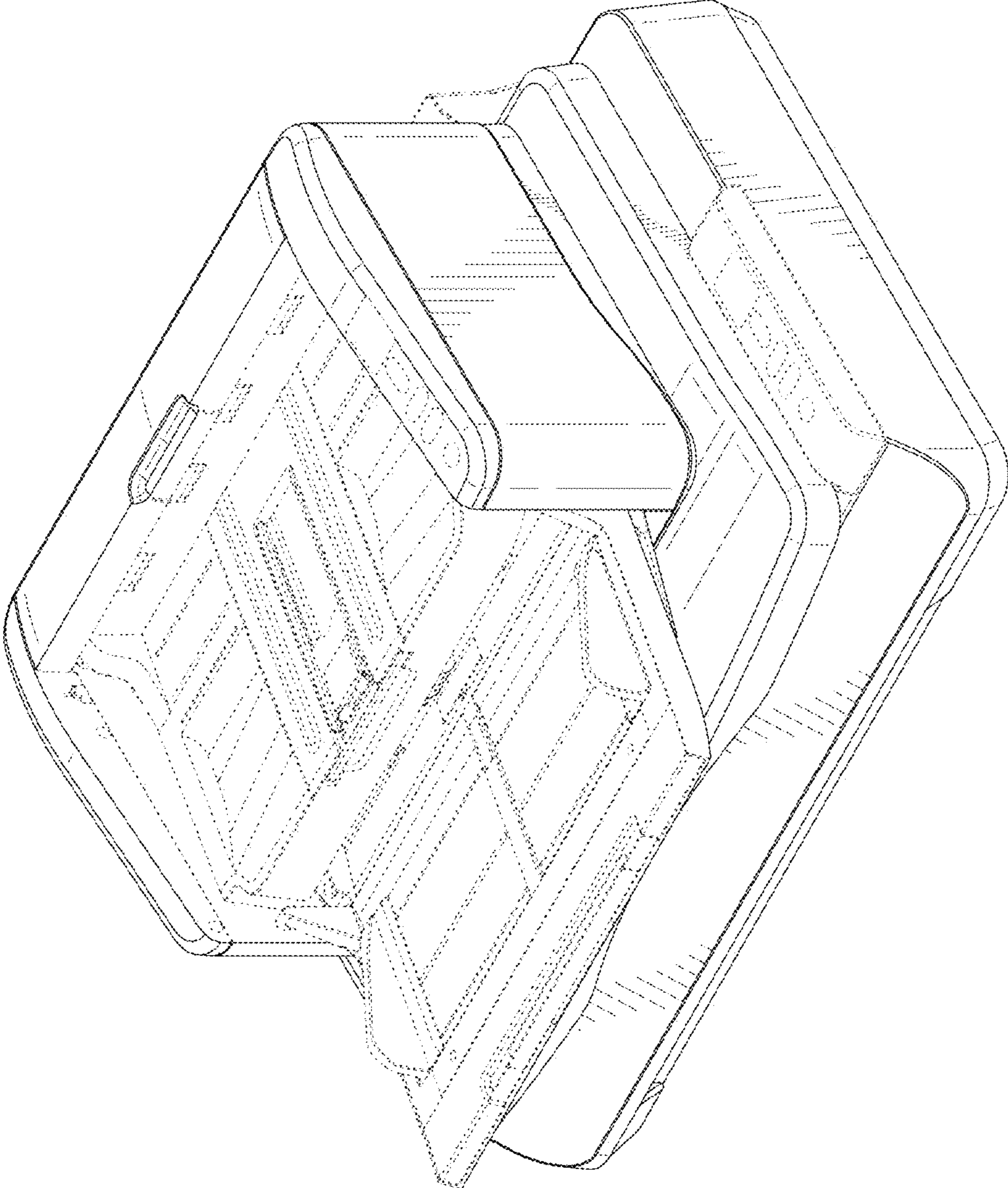


FIG. 9

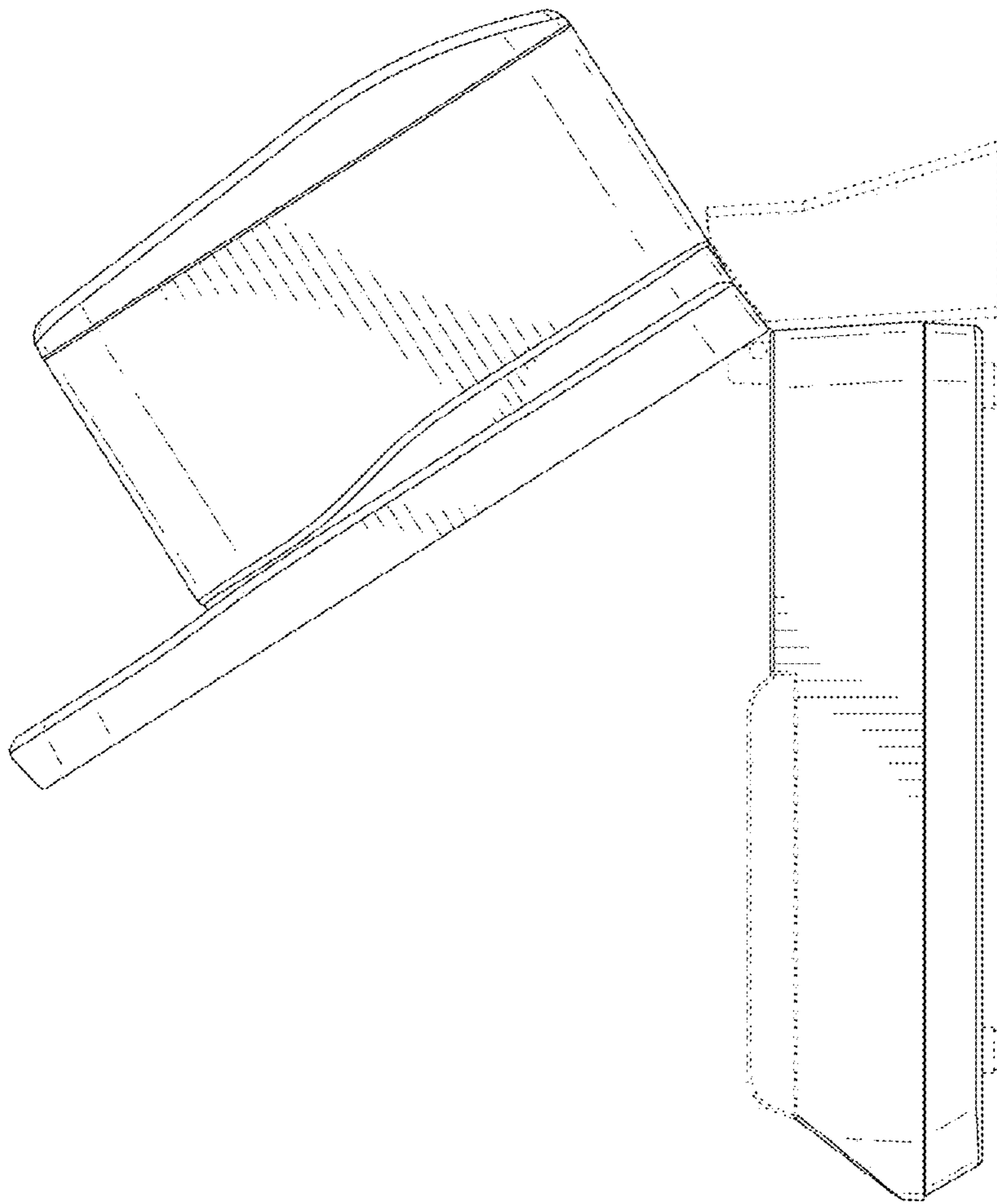


FIG. 10