

US00D950551S

(12) **United States Design Patent** (10) **Patent No.:** **US D950,551 S**
Chen (45) **Date of Patent:** **** May 3, 2022**

(54) **STAND MONITOR**

FOREIGN PATENT DOCUMENTS

(71) Applicant: **GUANGXI DAMEI ENERGY INVESTMENT CO., LTD.**, Nanning (CN)

EM 008525844-0001 * 5/2021
GB 6134401 * 4/2021
KR 300998834.0000 * 3/2019

(72) Inventor: **Dexin Chen**, Nanning (CN)

OTHER PUBLICATIONS

(73) Assignee: **GUANGXI DAMEI ENERGY INVESTMENT CO., LTD.**, Nanning (CN)

Y Portable Monitor, Uperfect, amazon.com, published May 13, 2021 © 1996-2022 Amazon.com, Inc., online, site visited Jan. 26, 2022. Available at URL: <https://www.amazon.com/UPERFECT-Portable-Freestanding-Touchscreen-Kickstand/dp/B094V583BM> (Year: 2021).*

(**) Term: **15 Years**

(Continued)

(21) Appl. No.: **29/781,461**

Primary Examiner — Sandra Snapp
Assistant Examiner — Altaira J Swangin

(22) Filed: **Apr. 30, 2021**

(51) **LOC (13) Cl.** **14-02**

(57) **CLAIM**

(52) **U.S. Cl.**

The ornamental design for a stand monitor, as shown and described.

USPC **D14/375**

(58) **Field of Classification Search**

DESCRIPTION

USPC D14/125–127, 140.2, 149, 203.1, D14/203.7–203.8, 209.1, 221, 224.1, 227, D14/238.1, 300, 302, 305–307, 314, 336, D14/341, 371, 373–377, 388, 448, 496, D14/499–451, 900–902; D20/39, 41–42; D6/300, 308
CPC G06Q 20/18; G09F 13/00; G09F 9/3023; G09F 9/3026; E04H 1/1272; E04H 1/1222

FIG. 1 is a perspective view of a stand monitor showing my new design;
FIG. 2 is another perspective view thereof;
FIG. 3 is a front elevational view thereof;
FIG. 4 is a rear elevational view thereof;
FIG. 5 is a left side elevational view thereof;
FIG. 6 is a right side elevational view thereof;
FIG. 7 is a top plan view thereof;
FIG. 8 is a bottom plan view thereof;
FIG. 9 is a perspective view of the stand monitor where the stand monitor is in a first configuration of use;
FIG. 10 is a perspective view of the stand monitor where the stand monitor is in a second configuration of use; and,
FIG. 11 is an enlarged view of portion 11 shown in FIG. 2.
The broken lines in the drawings depict portions of the stand monitor that form no part of the claimed design. The dash-dot lines in FIGS. 2 and 11 identify the location of the enlarged view and form no part thereof.

See application file for complete search history.

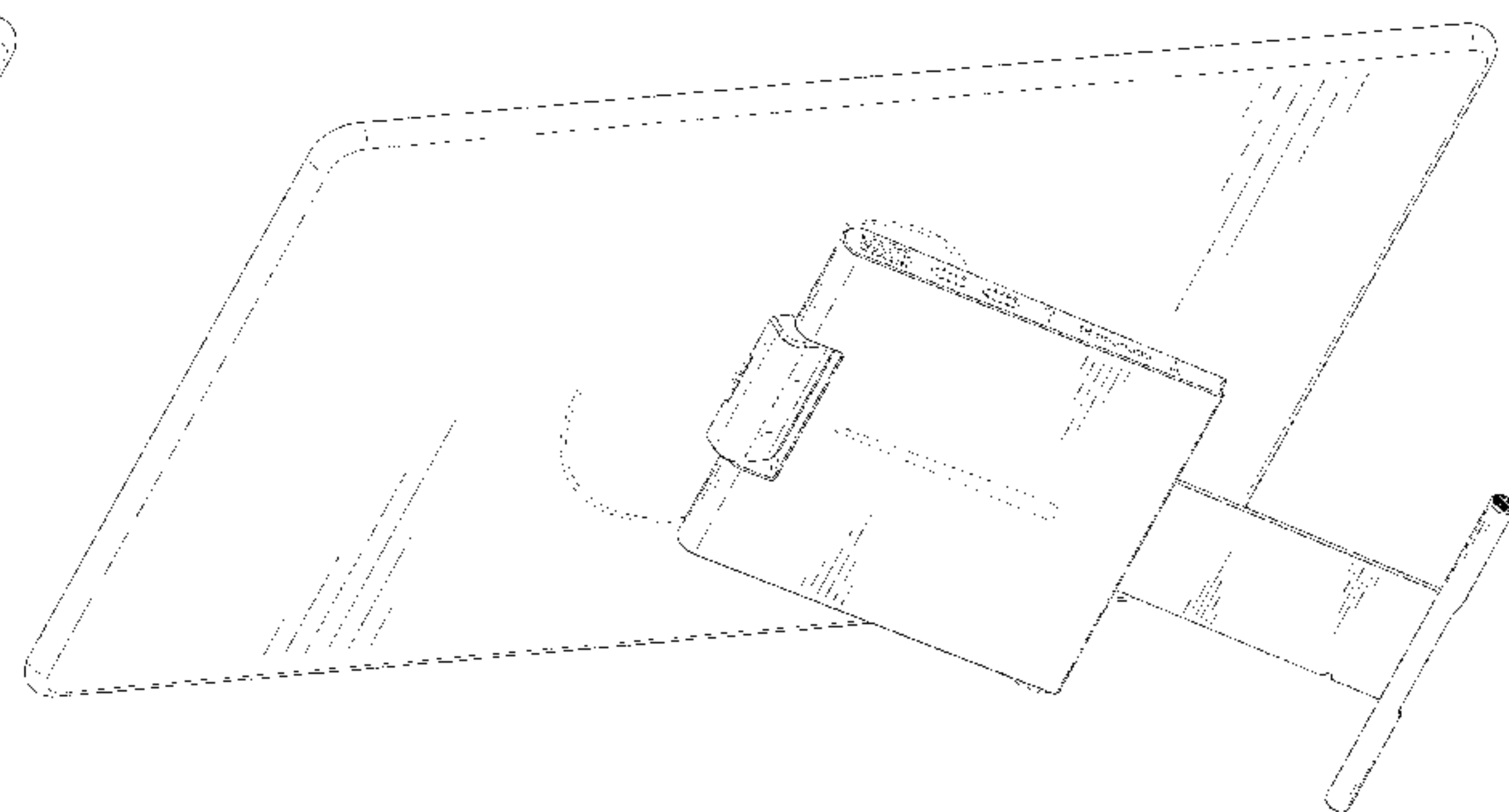
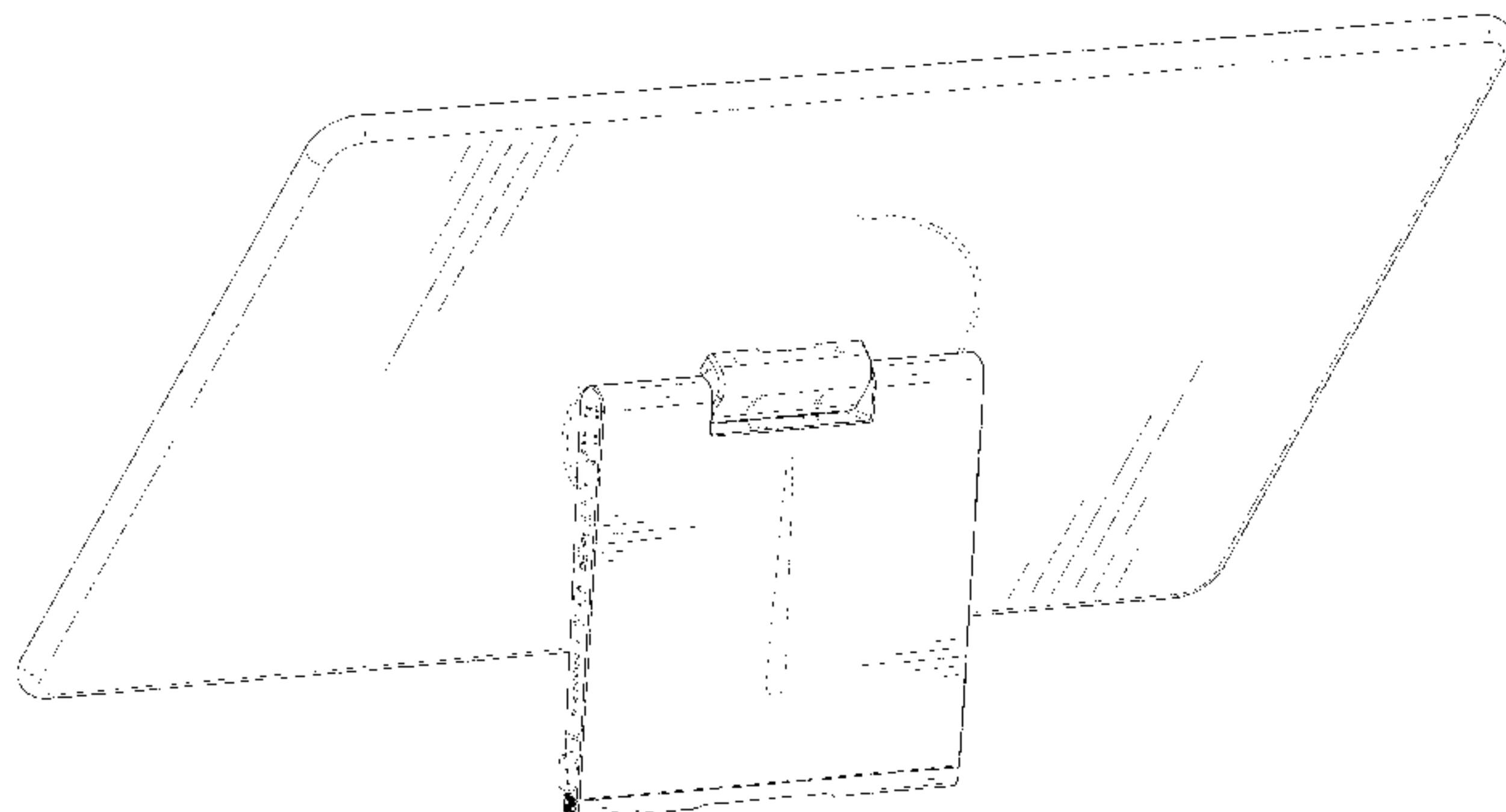
(56) **References Cited**

U.S. PATENT DOCUMENTS

D248,200 S * 6/1978 Stratton D6/300
D329,333 S * 9/1992 Ackeret D6/300
D333,574 S * 3/1993 Ackeret D6/300
D426,962 S * 6/2000 Au-Yeung D6/310
D462,843 S * 9/2002 Chan D6/310
D475,687 S 6/2003 Goto

(Continued)

1 Claim, 11 Drawing Sheets



(56)

References Cited

U.S. PATENT DOCUMENTS

D491,943	S	*	6/2004	Whitehorn	D14/375
D617,793	S	*	6/2010	Chiang	D14/341
D646,902	S	*	10/2011	Woo	D6/308
D653,661	S	*	2/2012	Ohrstrom	D14/341
D681,636	S	*	5/2013	Haller	D14/377
D687,825	S	*	8/2013	Lee	D14/341
D696,247	S	*	12/2013	Kim	D14/341
D696,662	S	*	12/2013	Song	D14/341
D701,862	S	*	4/2014	Lee	D14/426
D702,229	S	*	4/2014	Lim	D14/341
D702,233	S	*	4/2014	Lee	D14/341
D703,668	S	*	4/2014	Kim	D14/138 AD
D733,128	S	*	6/2015	Seoc	D14/341
D837,787	S		1/2019	Sasaki		
D859,009	S	*	9/2019	Gough	D6/300
D914,677	S	*	3/2021	Gerardi	D14/341
D935,202	S	*	11/2021	Yang	D6/310

OTHER PUBLICATIONS

Swivel Triple HD, SideTrack, sidetrack.com, author unlisted, published Mar. 5, 2021 per wayback machine © 1996-2022 Amazon.com, Inc., online, site visited Feb. 3, 2022. Available at URL: <https://sidetrak.com/products/sidetrak-swivel-triple-portable-monitor-12-5> (Year: 2021).*

* cited by examiner

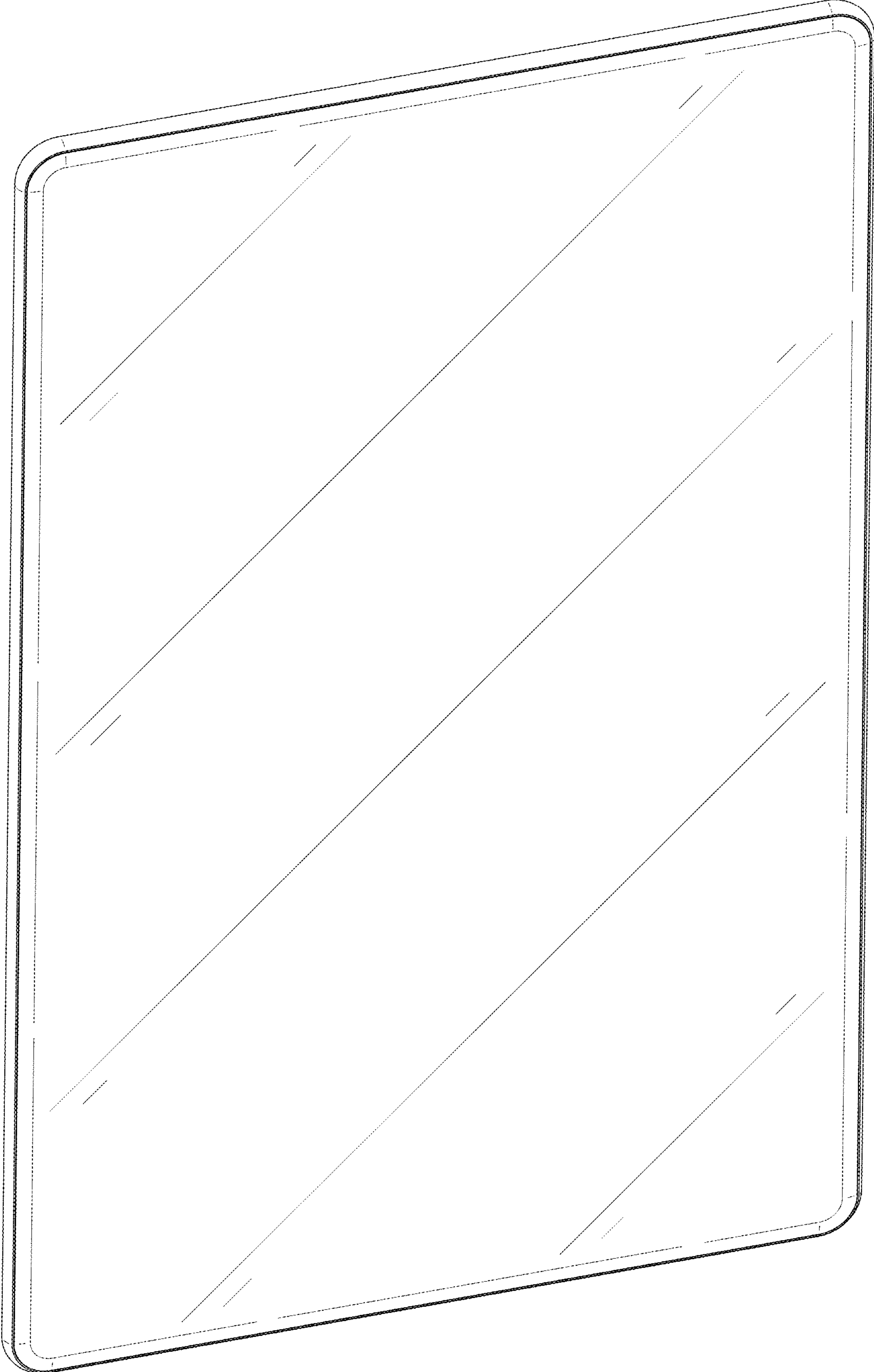


FIG. 1

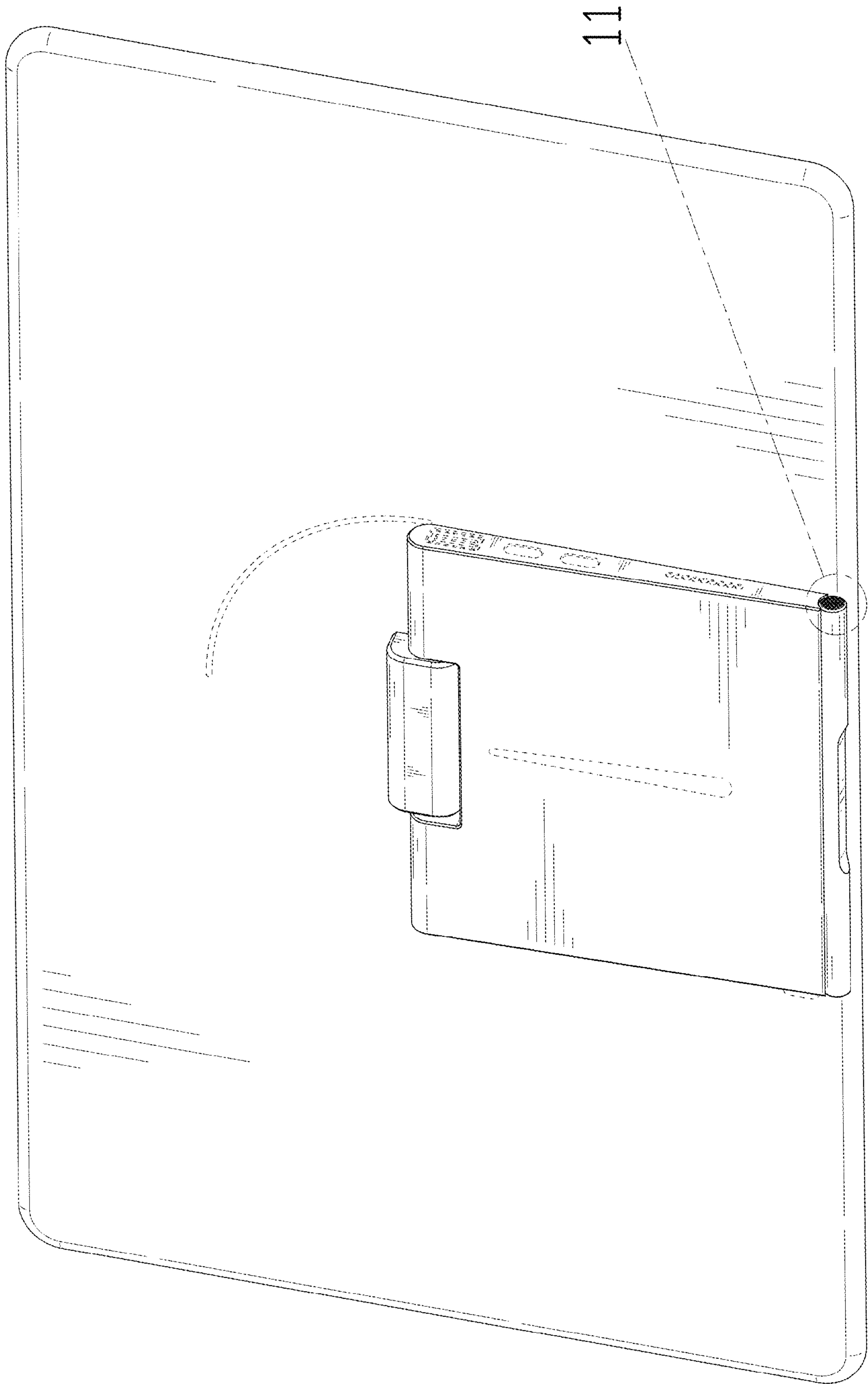


FIG. 2

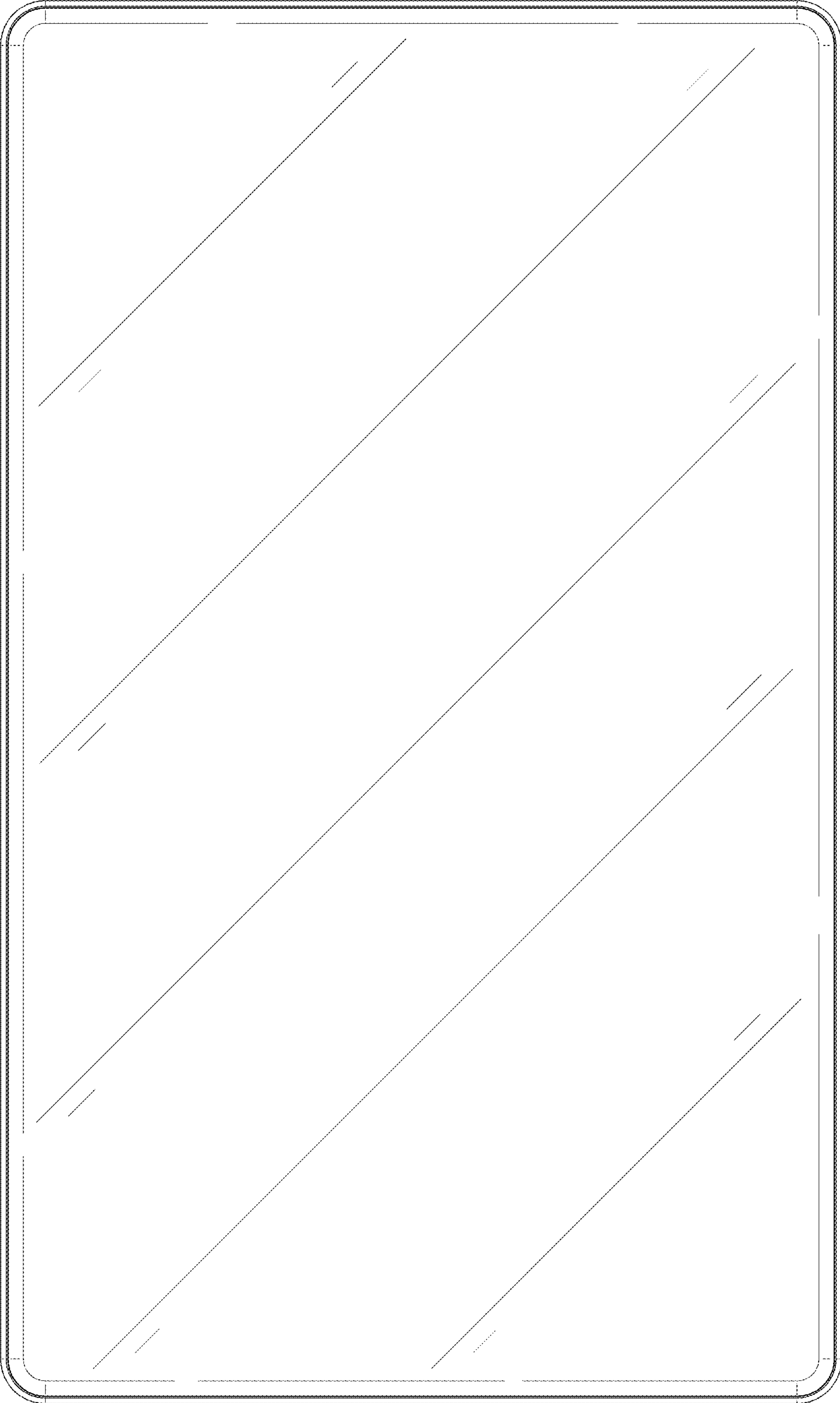


FIG. 3

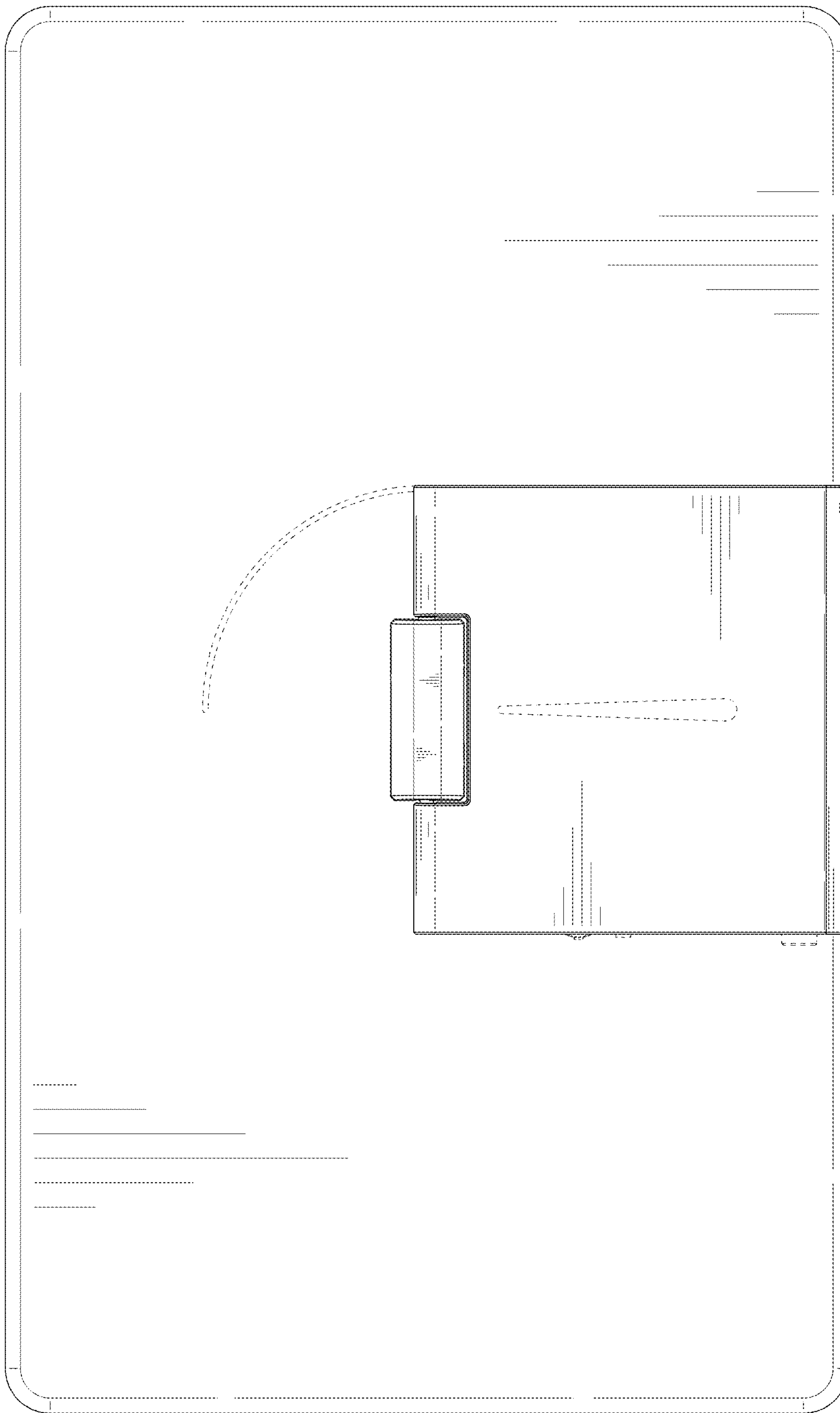


FIG. 4

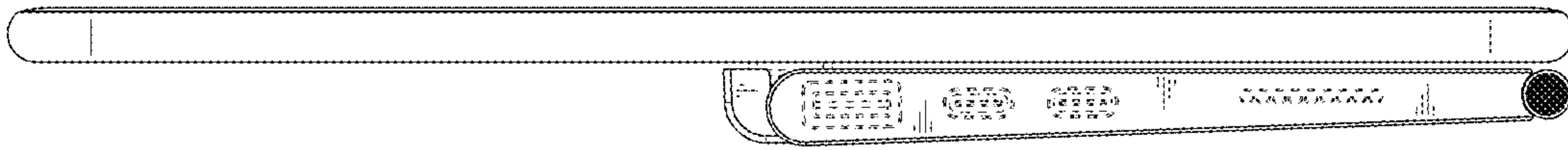


FIG. 5

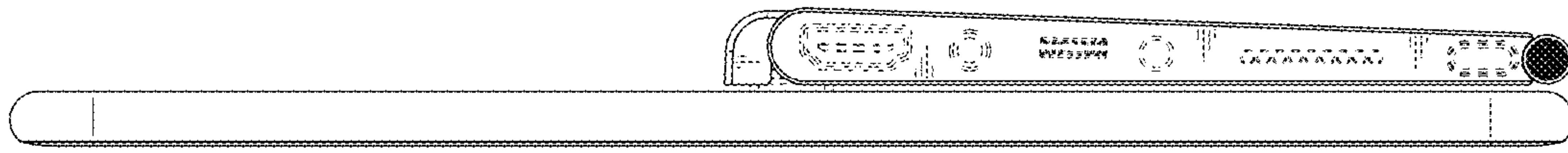


FIG. 6

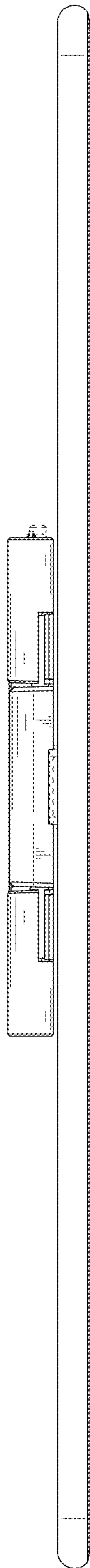


FIG. 7

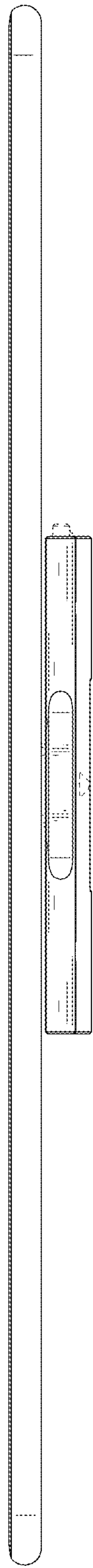


FIG. 8

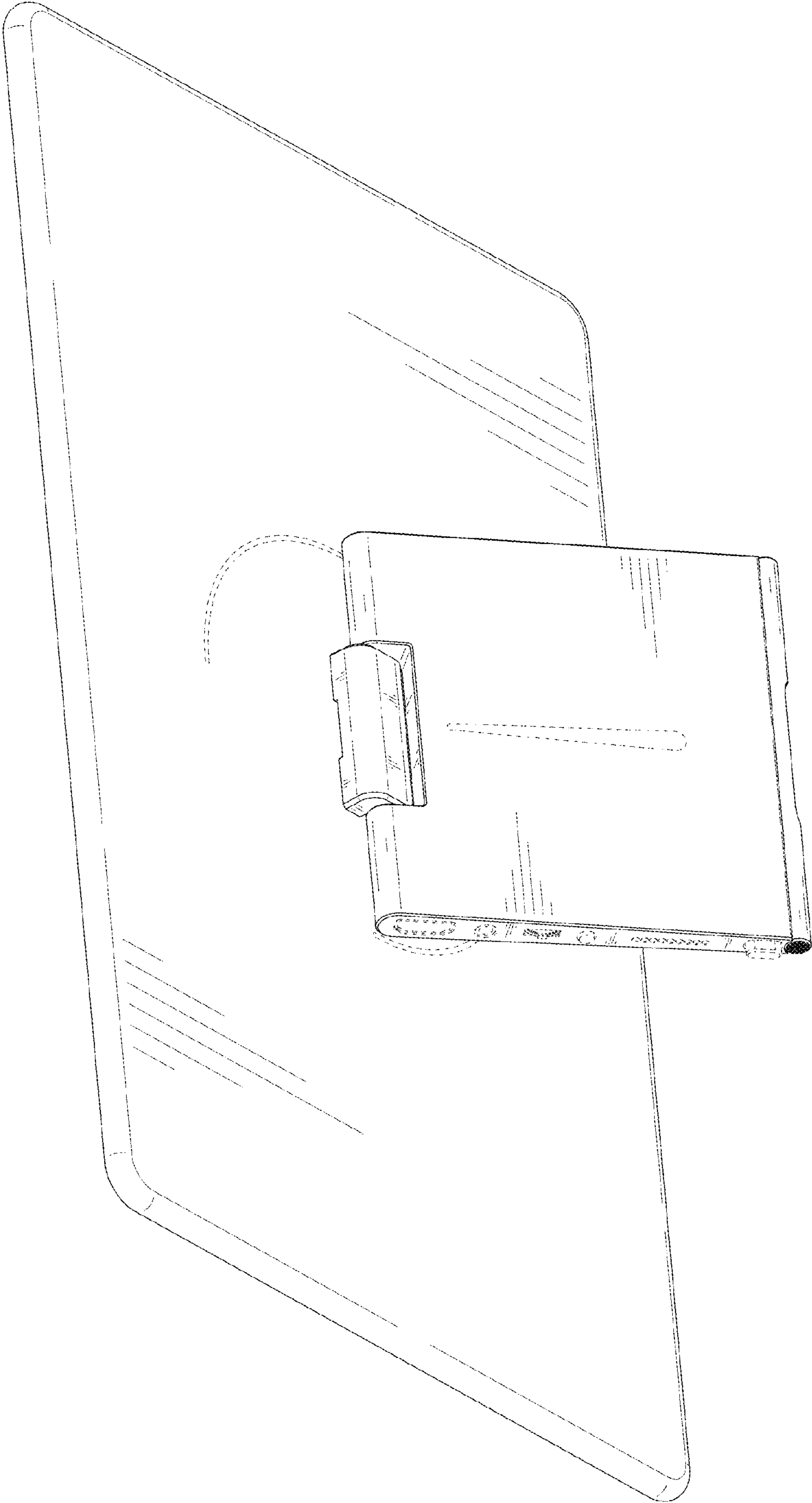


FIG. 9

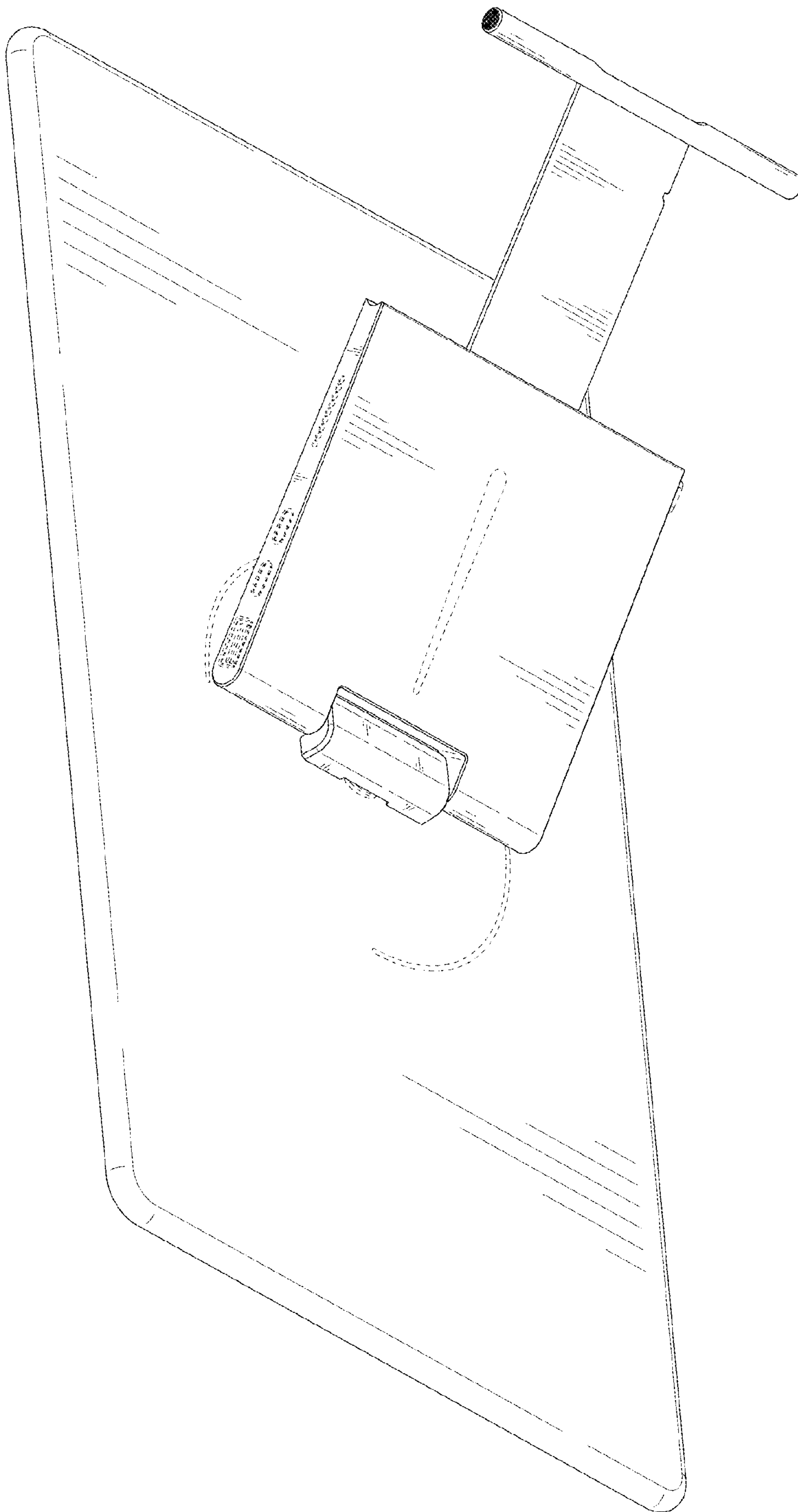


FIG. 10

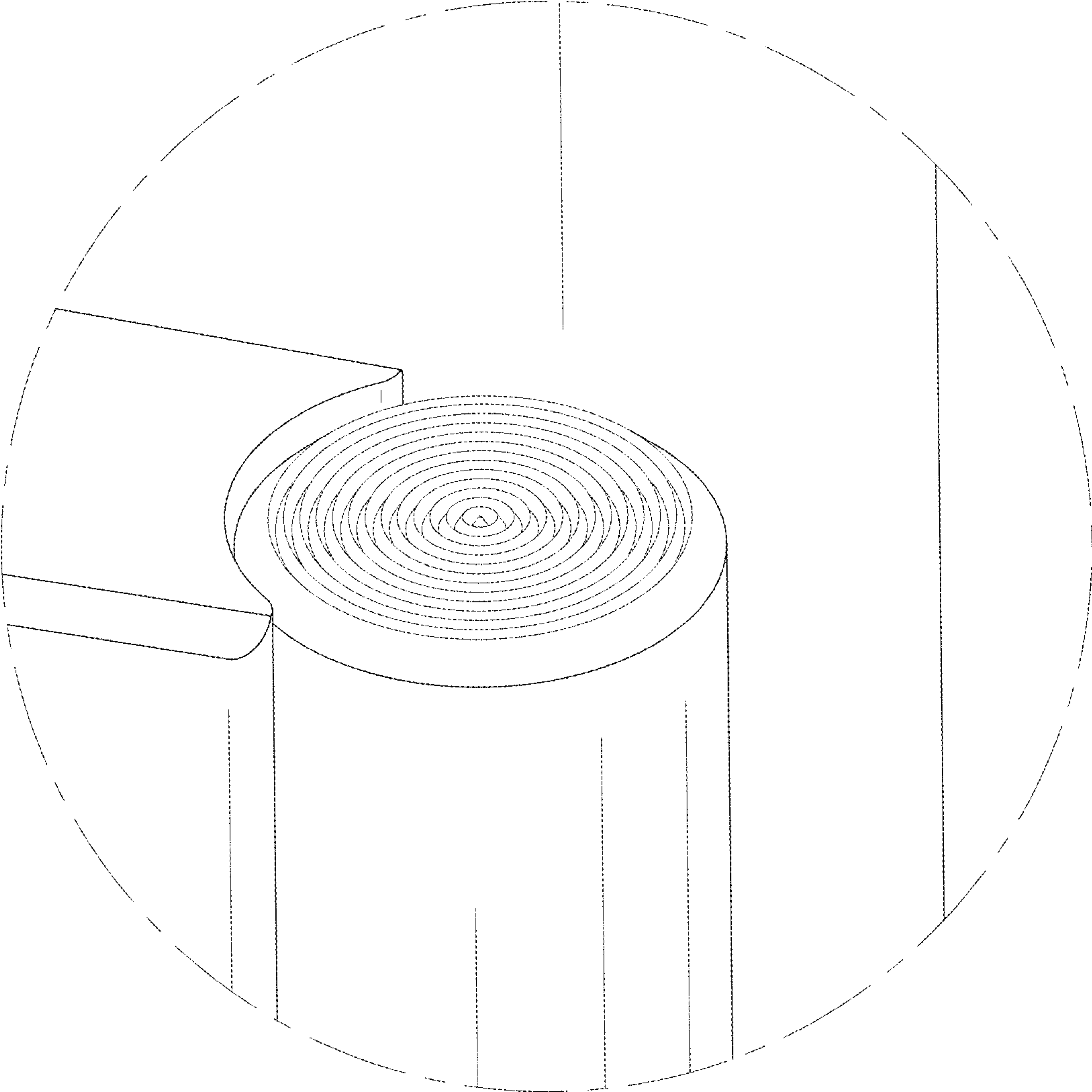


FIG. 11