



US00D950547S

(12) **United States Design Patent**
Harvey

(10) **Patent No.:** **US D950,547 S**

(45) **Date of Patent:** **** May 3, 2022**

(54) **BUILDING CONTROLLER**
(71) Applicant: **PassiveLogic, Inc.**, Holladay, UT (US)
(72) Inventor: **Troy Aaron Harvey**, Brighton, UT (US)
(73) Assignee: **PASSIVELOGIC, INC.**, Holladay, UT (US)
(**) Term: **15 Years**
(21) Appl. No.: **29/748,476**

D815,629 S * 4/2018 Jones, Sr. D14/307
D831,639 S * 10/2018 Terry D14/307
D833,427 S * 11/2018 Hansen D14/307
D873,262 S * 1/2020 Fernando D14/307
D881,184 S * 4/2020 Frezal D14/307
D886,096 S * 6/2020 Mangeot D14/307
D892,110 S * 8/2020 Birgeoglu D14/307
D902,918 S * 11/2020 Friedli D14/307
D907,633 S * 1/2021 Li D14/358
D912,663 S * 3/2021 Cebe D14/336
D925,517 S * 7/2021 Ushery, Jr. D14/307
D937,259 S * 11/2021 Li D14/358
D937,824 S * 12/2021 Ye D14/307
D938,412 S * 12/2021 Chen D14/307
D938,420 S * 12/2021 Li D14/358

* cited by examiner

(22) Filed: **Aug. 28, 2020**
(51) **LOC (13) Cl.** **14-02**
(52) **U.S. Cl.**
USPC **D14/307**
(58) **Field of Classification Search**
USPC D14/302-307, 900-902, 358; D13/163,
D13/162.1; D99/28; 700/300, 276, 182,
700/19; 361/679.01, 679.02, 679.04,
361/679.21, 679.57, 725
CPC G06Q 20/18; G06Q 20/10; G06Q 20/123;
G06Q 20/20; G06Q 30/02; G06Q 30/06;
A47F 9/047
See application file for complete search history.

Primary Examiner — Austin Murphy
(74) *Attorney, Agent, or Firm* — Kunzler Bean & Adamson, PC

(57) **CLAIM**

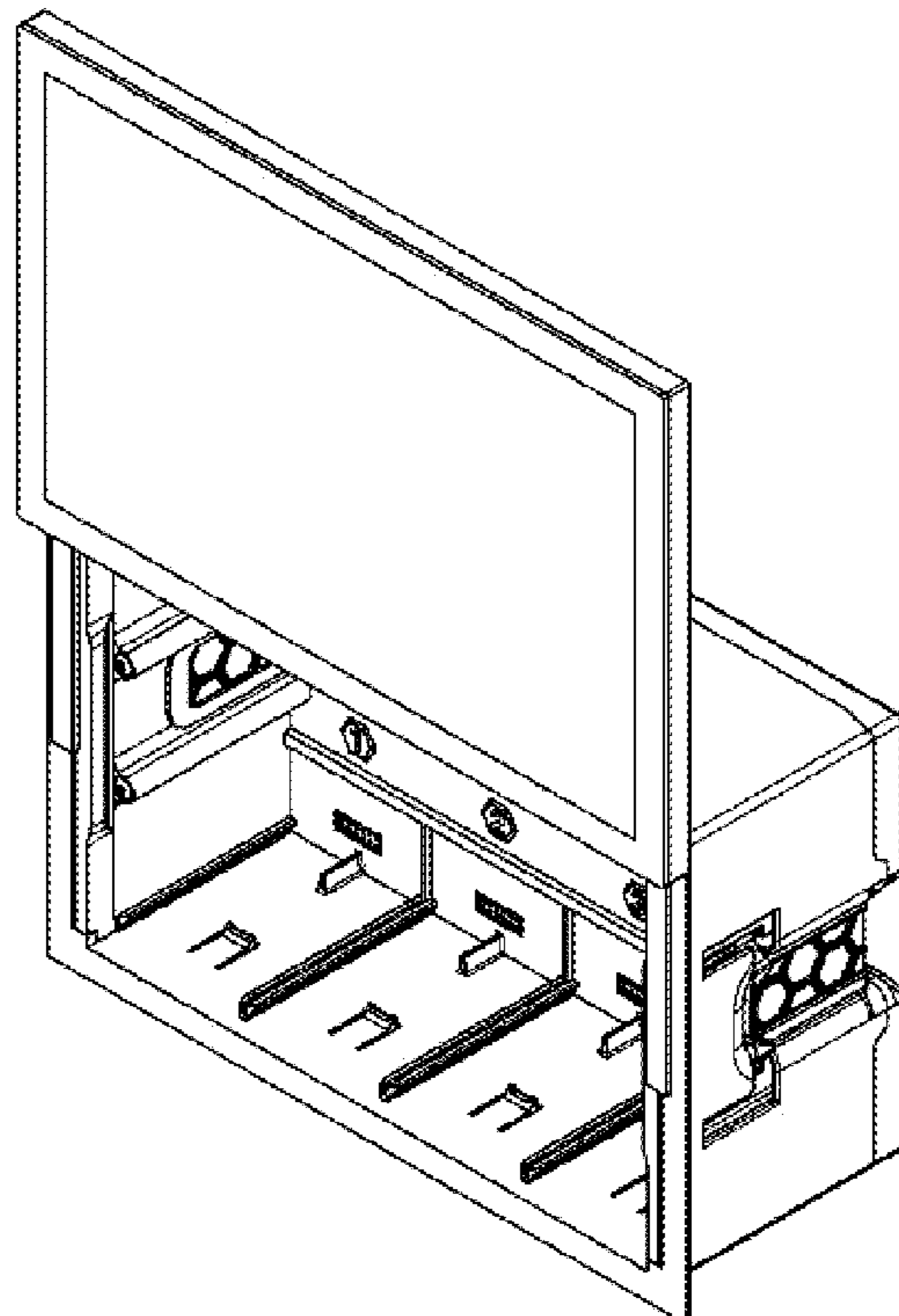
The ornamental design for a building controller, as shown and described.

DESCRIPTION

FIG. 1 is a perspective view of a building controller; FIG. 2 is a front view of the building controller; FIG. 3 is a rear view of the building controller; FIG. 4 is a left view of the building controller; FIG. 5 is a right view of the building controller; FIG. 6 is a top view of the building controller; and, FIG. 7 is a bottom view of the building controller.

1 Claim, 7 Drawing Sheets

(56) **References Cited**
U.S. PATENT DOCUMENTS
D640,252 S * 6/2011 Kuroda D14/307
D687,429 S * 8/2013 Nelson D14/307
D697,062 S * 1/2014 Nagai D14/307
D721,695 S * 1/2015 Birgeoglu D14/307



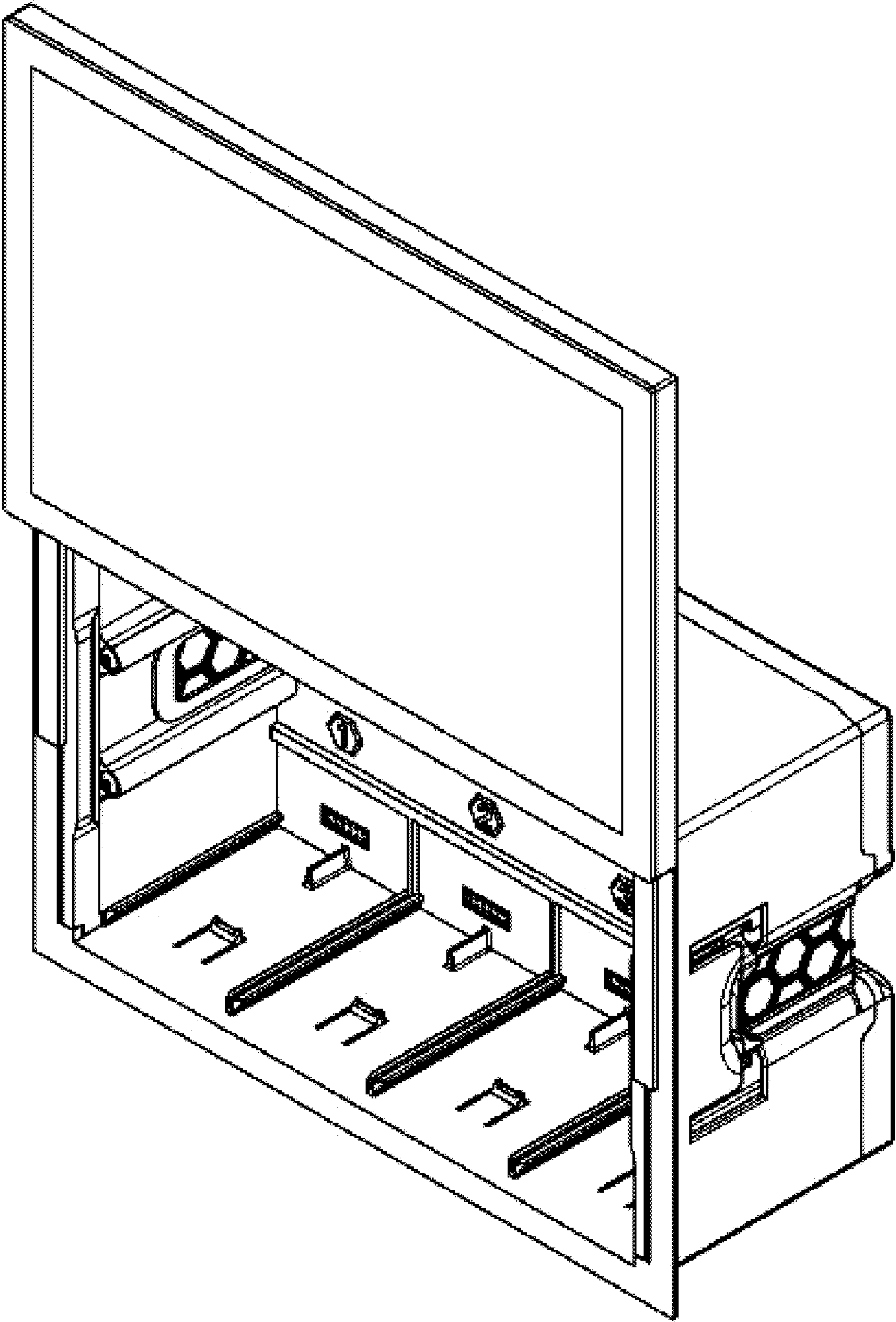


FIG. 1

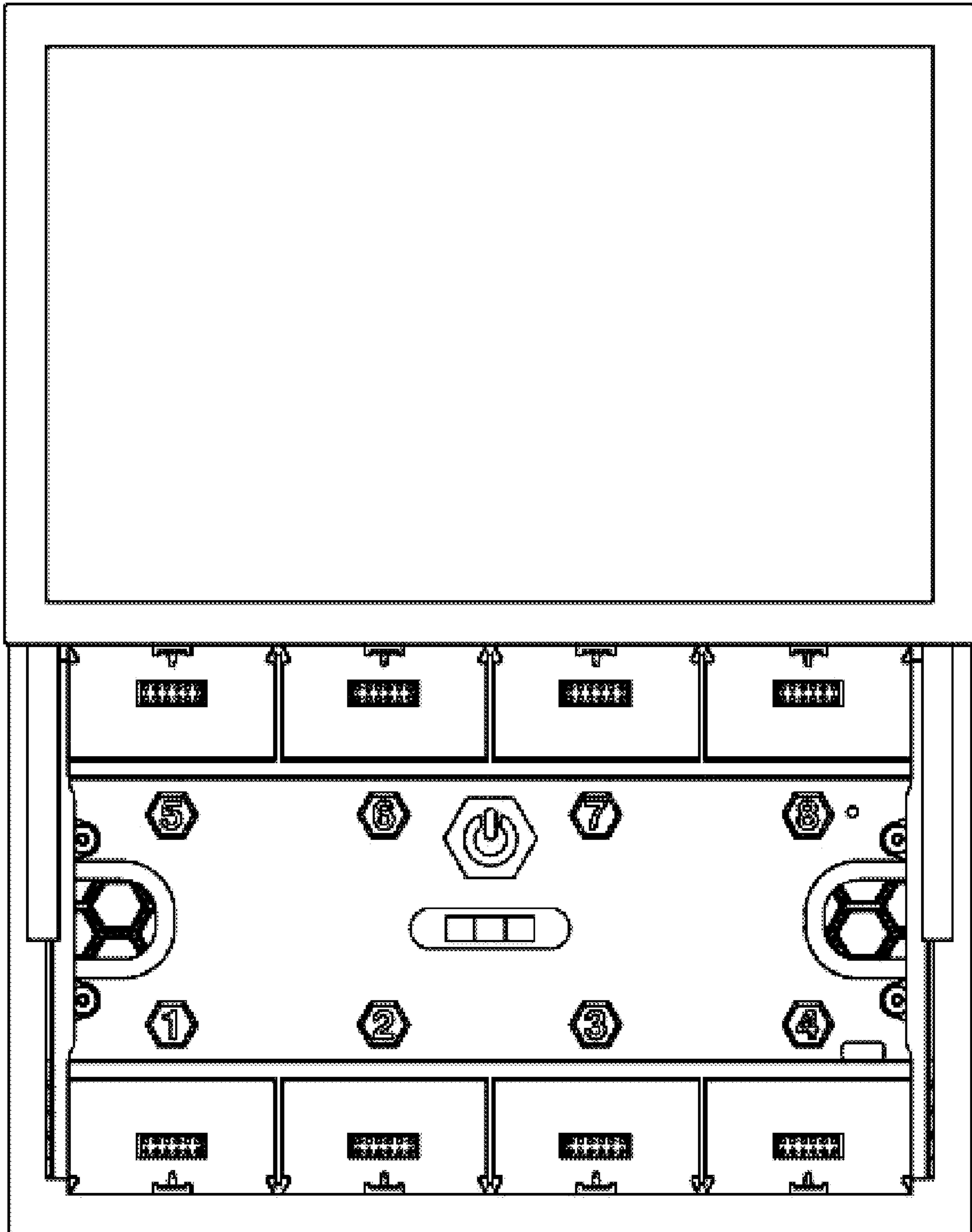


FIG. 2

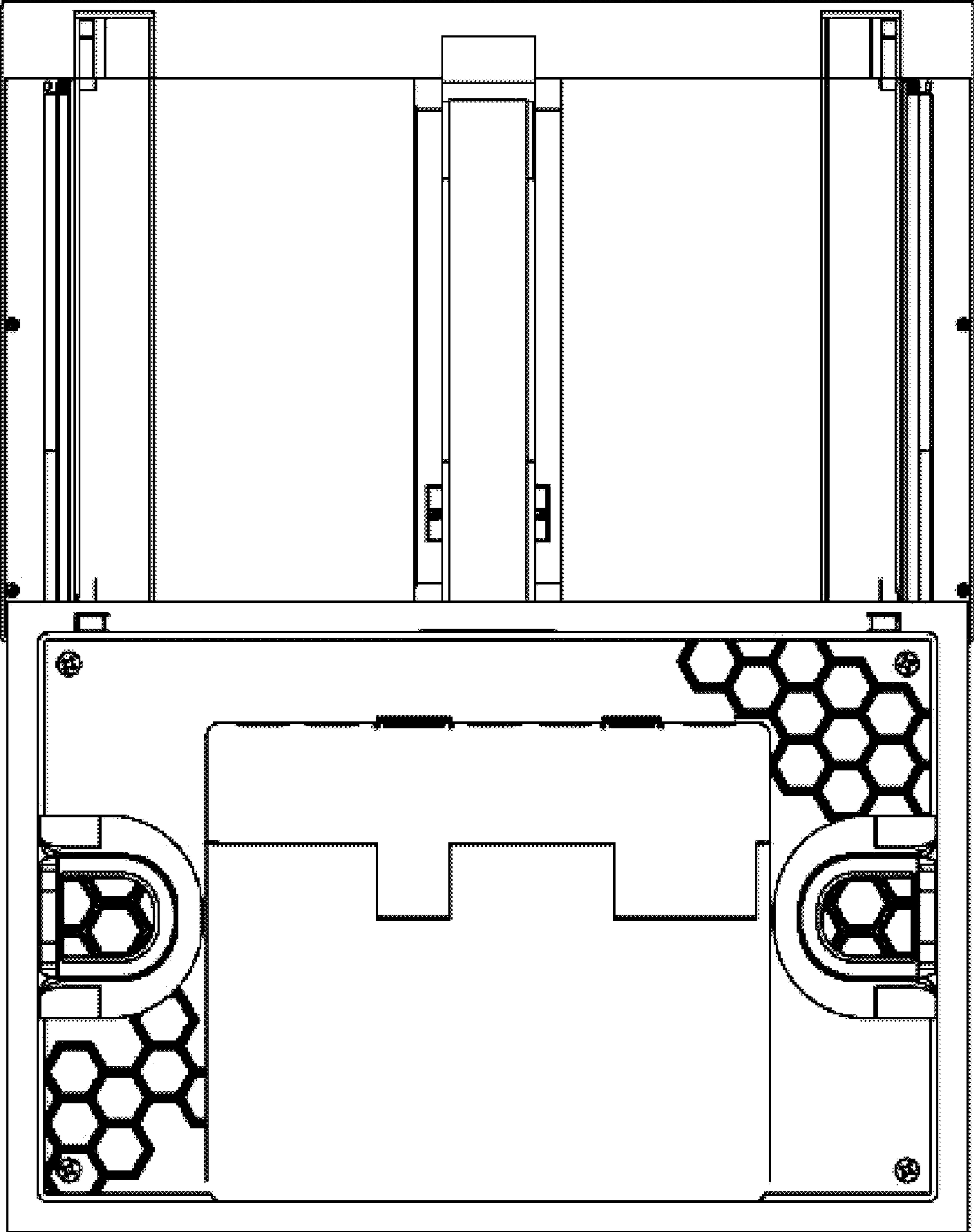


FIG. 3

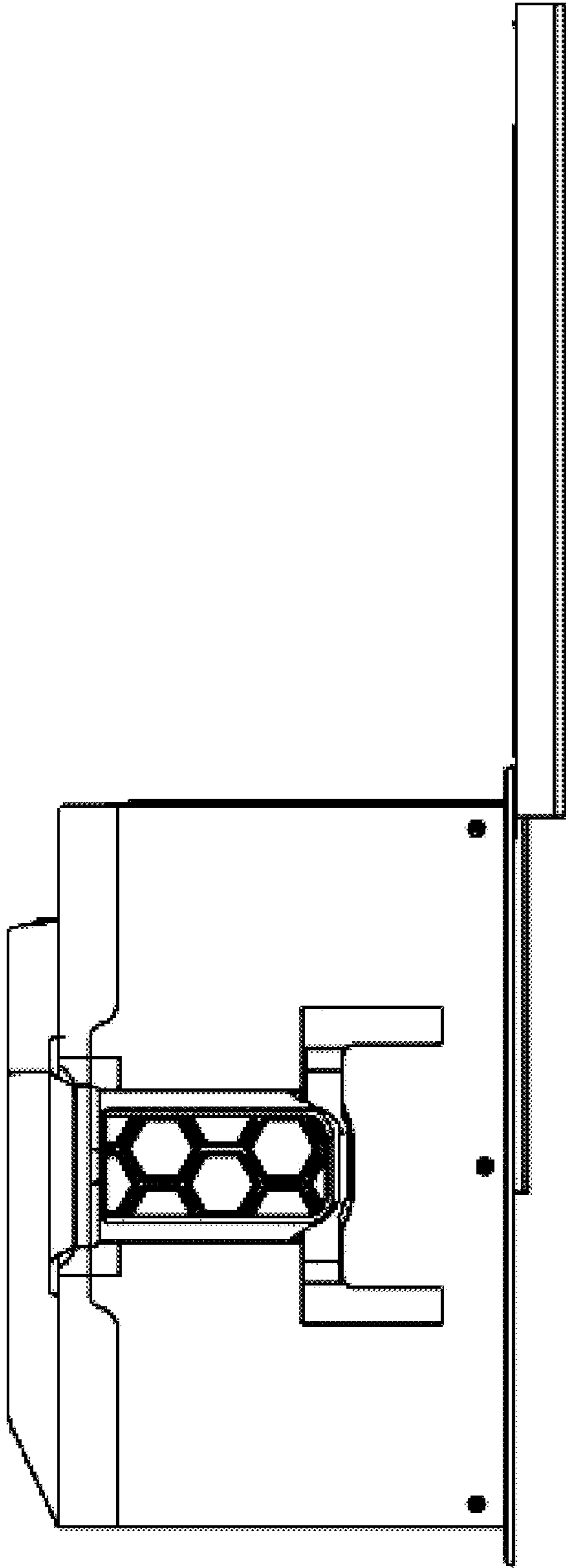


FIG. 4

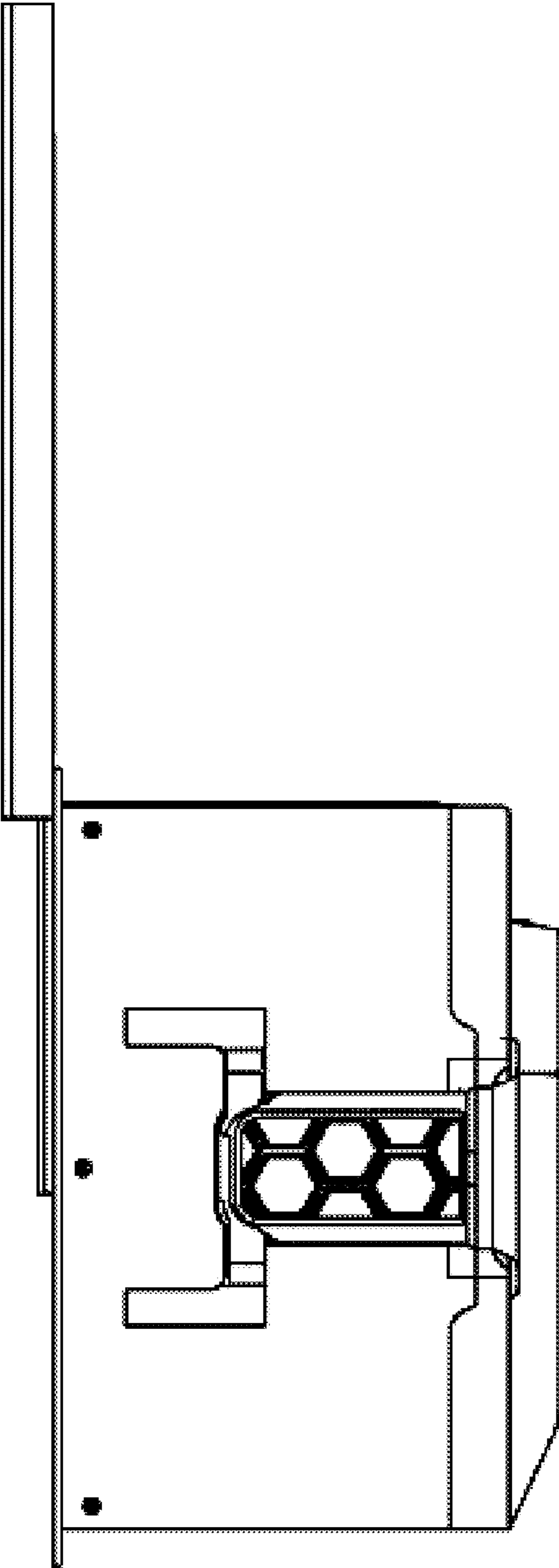


FIG. 5

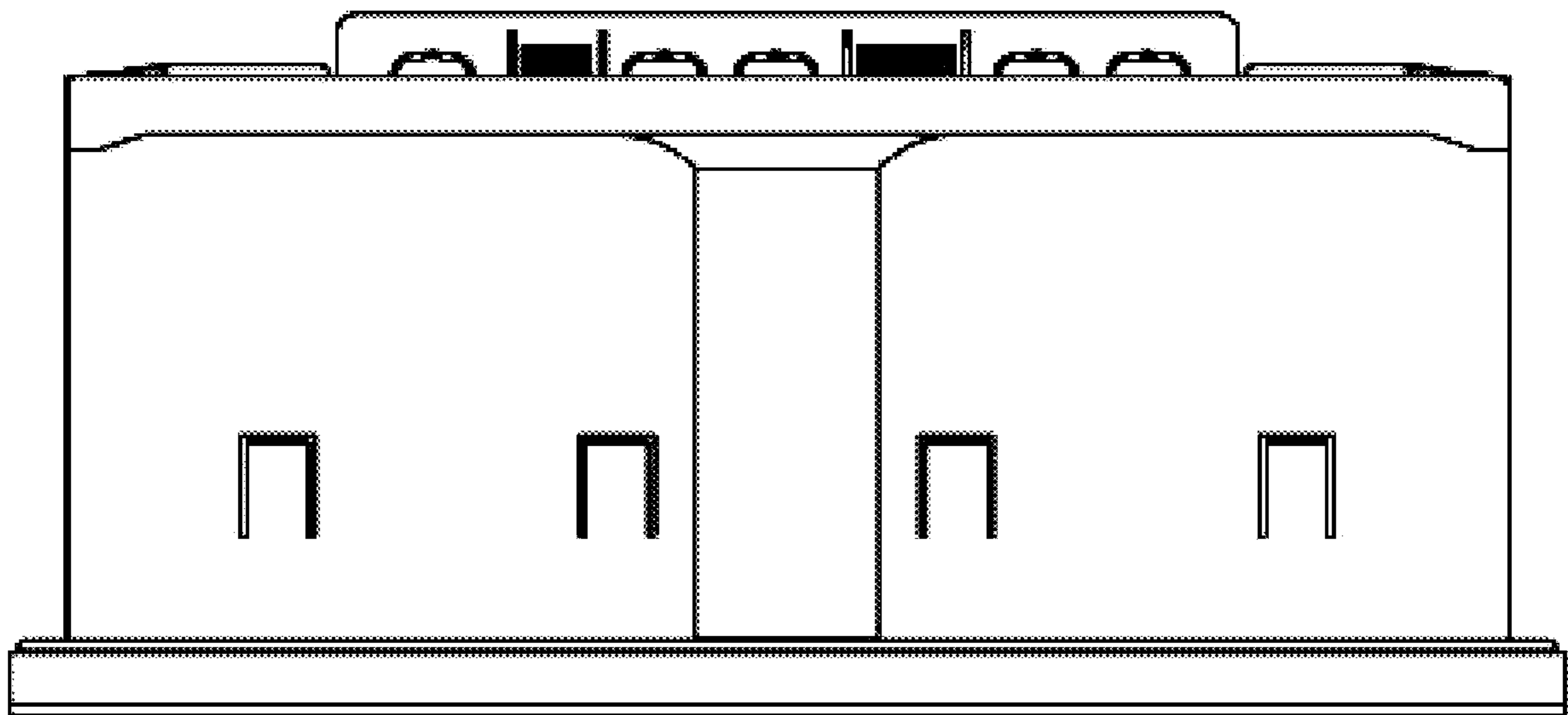


FIG. 6

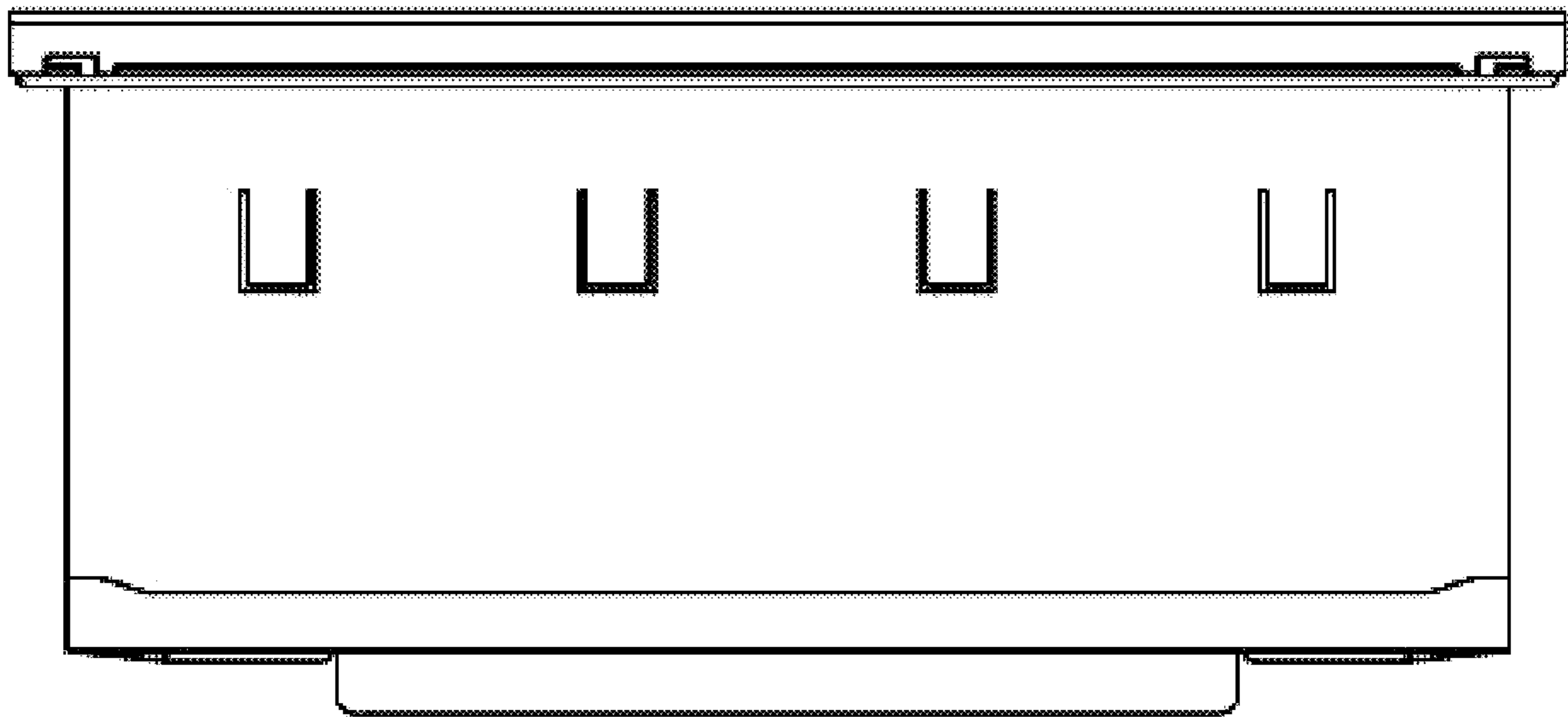


FIG. 7