



US00D950546S

(12) **United States Design Patent**
Harvey

(10) **Patent No.:** **US D950,546 S**

(45) **Date of Patent:** **** May 3, 2022**

- (54) **BUILDING CONTROLLER**
- (71) Applicant: **PassiveLogic, Inc.**, Holladay, UT (US)
- (72) Inventor: **Troy Aaron Harvey**, Brighton, UT (US)
- (73) Assignee: **PASSIVELOGIC, INC.**, Holladay, UT (US)
- (**) Term: **15 Years**
- (21) Appl. No.: **29/748,475**

D815,629 S *	4/2018	Jones, Sr.	D14/307
D831,639 S *	10/2018	Terry	D14/307
D833,427 S *	11/2018	Hansen	D14/307
D873,262 S *	1/2020	Fernando	D14/307
D881,184 S *	4/2020	Frezal	D14/307
D886,096 S *	6/2020	Mangeot	D14/307
D892,110 S *	8/2020	Birgeoglu	D14/307
D902,918 S *	11/2020	Friedli	D14/307
D907,633 S *	1/2021	Li	D14/358
D912,663 S *	3/2021	Cebe	D14/336
D925,517 S *	7/2021	Ushery, Jr.	D14/307
D937,259 S *	11/2021	Li	D14/358
D937,824 S *	12/2021	Ye	D14/307
D938,412 S *	12/2021	Chen	D14/307
D938,420 S *	12/2021	Li	D14/358

- (22) Filed: **Aug. 28, 2020**
- (51) **LOC (13) Cl.** **14-02**
- (52) **U.S. Cl.**
USPC **D14/307**
- (58) **Field of Classification Search**
USPC D14/302-307, 900-902, 358; D13/163,
D13/162.1; D99/28; 700/300, 276, 182,
700/19; 361/679.01, 679.02, 679.04,
361/679.21, 679.57, 725
CPC G06Q 20/18; G06Q 20/10; G06Q 20/123;
G06Q 20/20; G06Q 30/02; G06Q 30/06;
A47F 9/047
See application file for complete search history.

* cited by examiner

Primary Examiner — Austin Murphy
(74) *Attorney, Agent, or Firm* — Kunzler Bean & Adamson, PC

(57) **CLAIM**

The ornamental design for a building controller, as shown and described.

DESCRIPTION

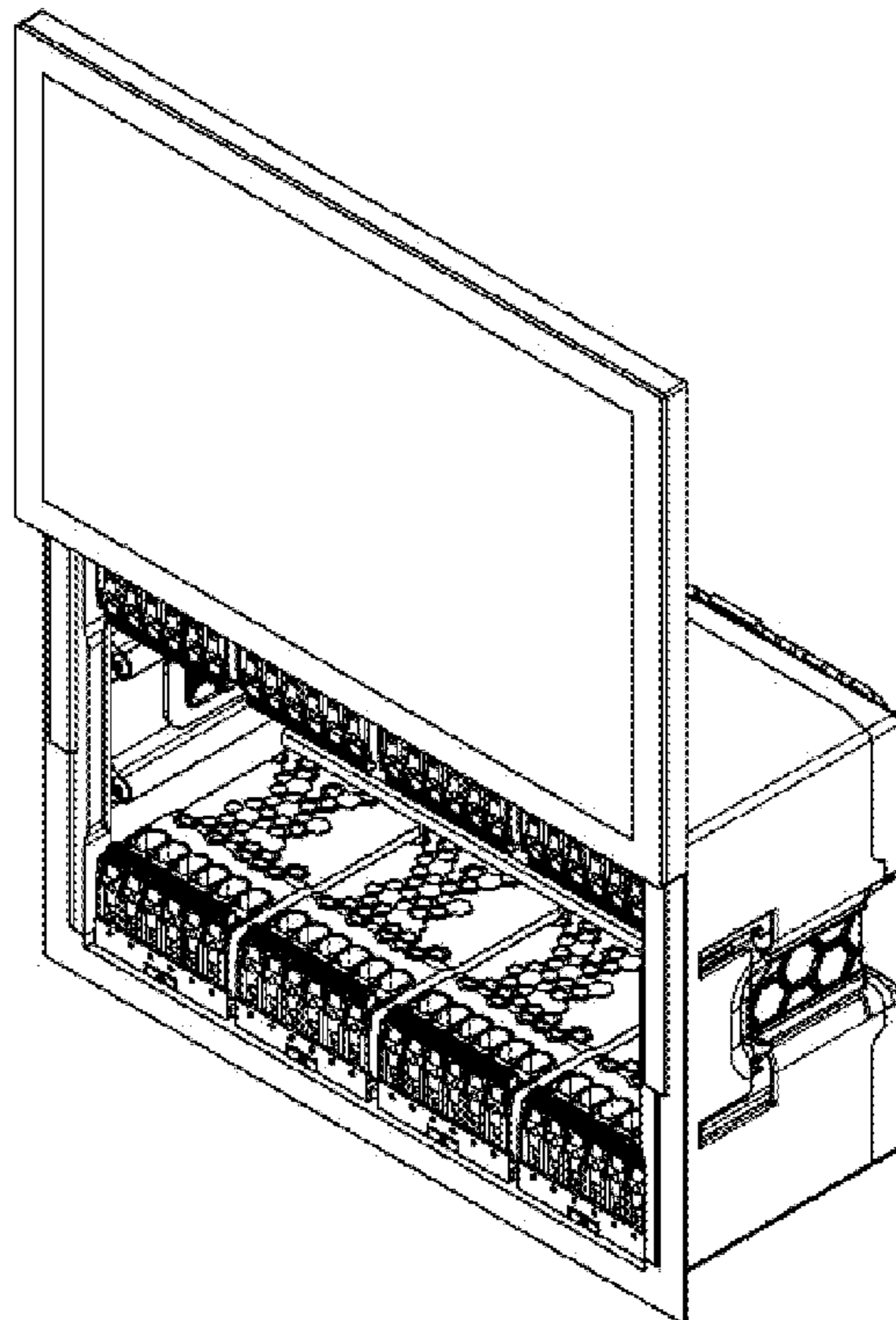
FIG. 1 is a perspective view of a building controller; FIG. 2 is a front view of the building controller; FIG. 3 is a rear view of the building controller; FIG. 4 is a left view of the building controller; FIG. 5 is a right view of the building controller; FIG. 6 is a top view of the building controller; and, FIG. 7 is a bottom view of the building controller.

1 Claim, 7 Drawing Sheets

(56) **References Cited**

U.S. PATENT DOCUMENTS

D640,252 S *	6/2011	Kuroda	D14/307
D687,429 S *	8/2013	Nelson	D14/307
D697,062 S *	1/2014	Nagai	D14/307
D721,695 S *	1/2015	Birgeoglu	D14/307



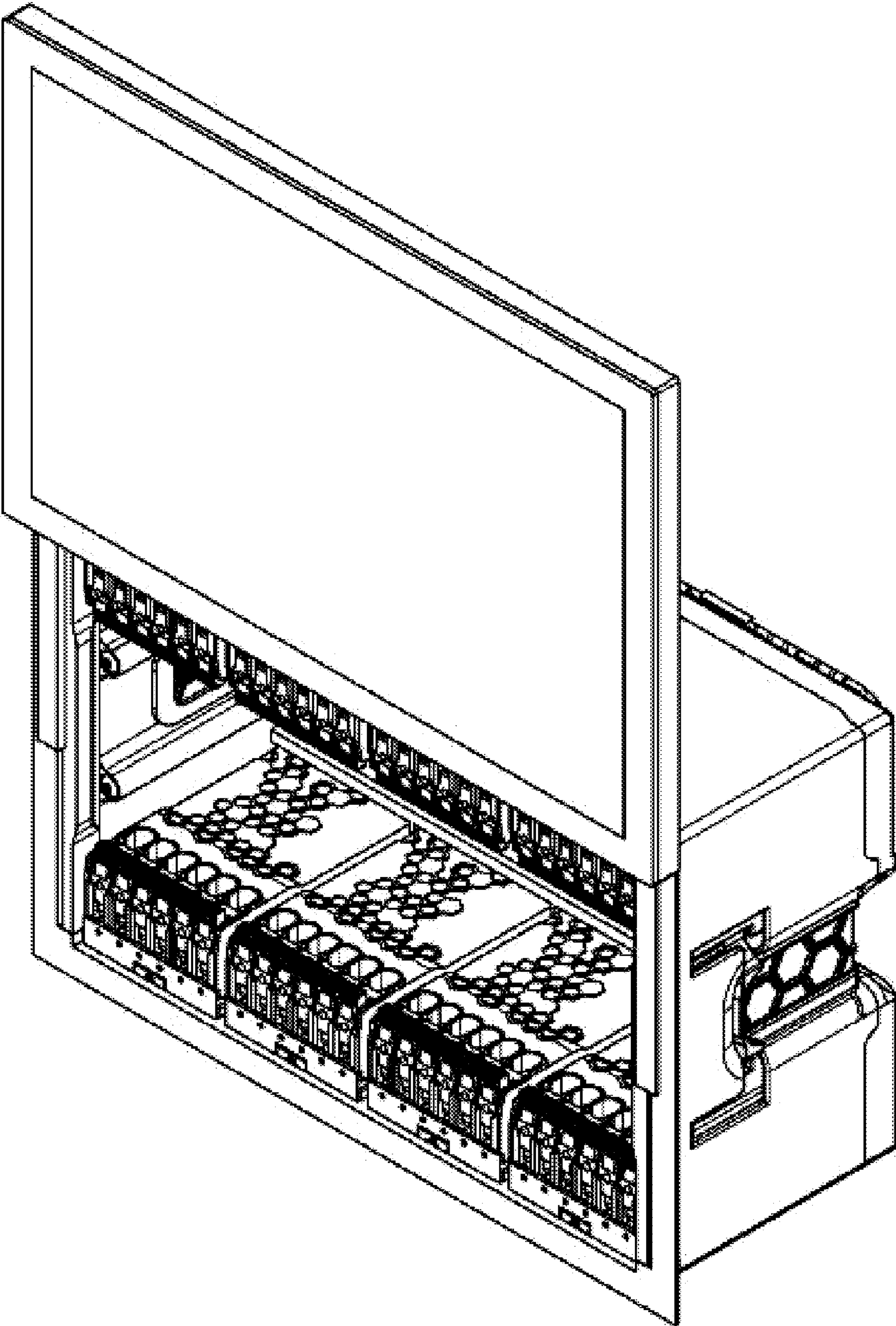


FIG. 1

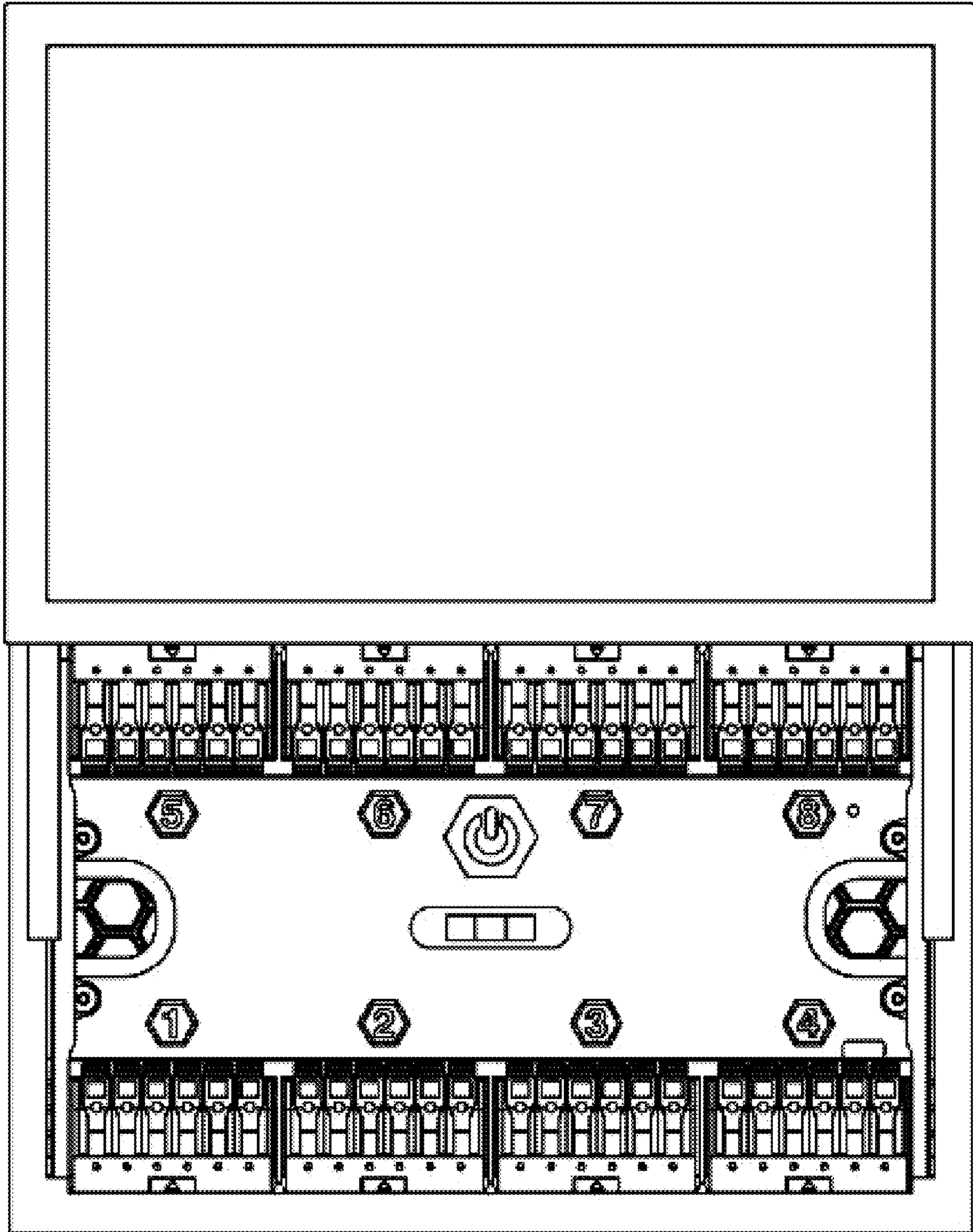


FIG. 2

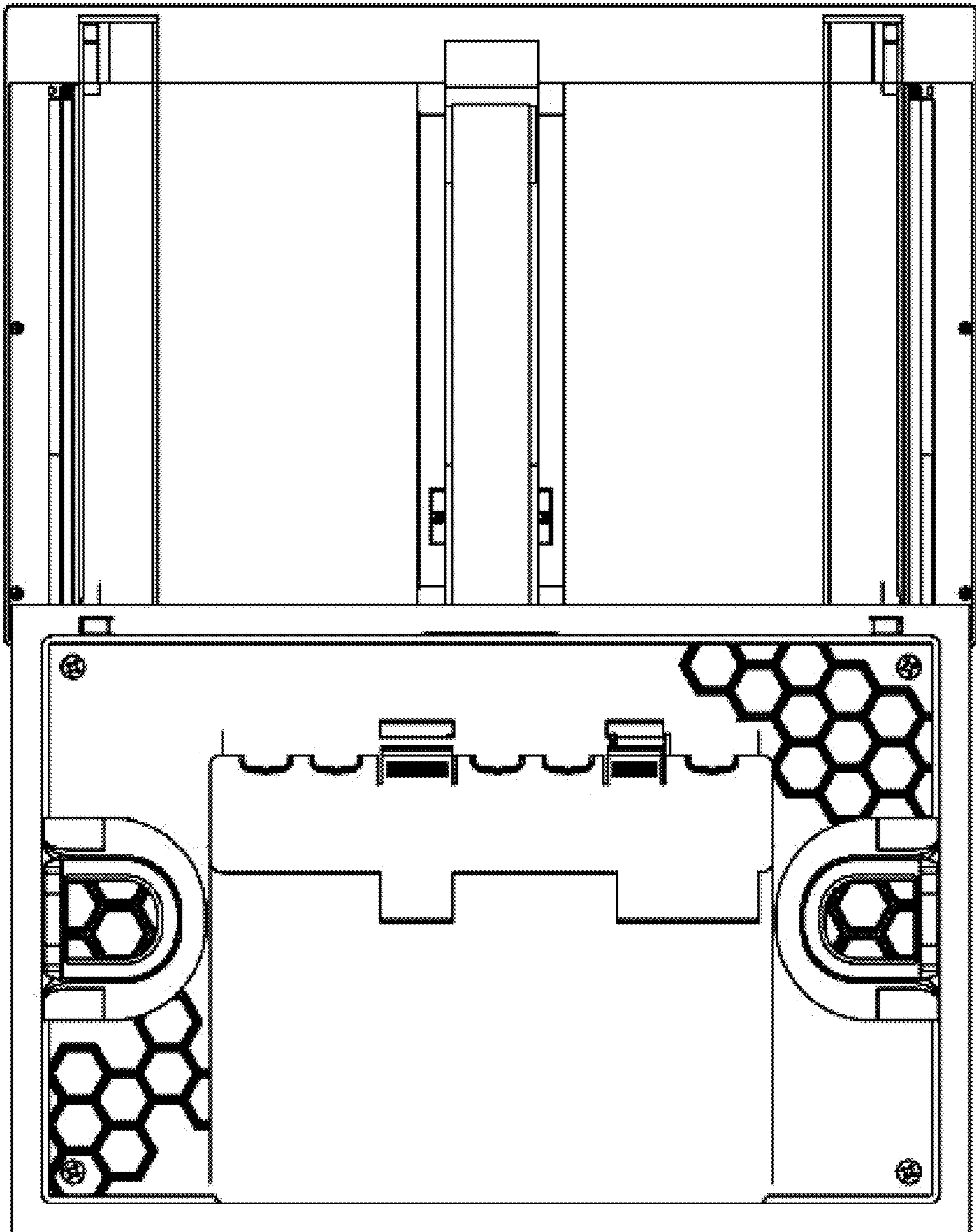


FIG. 3

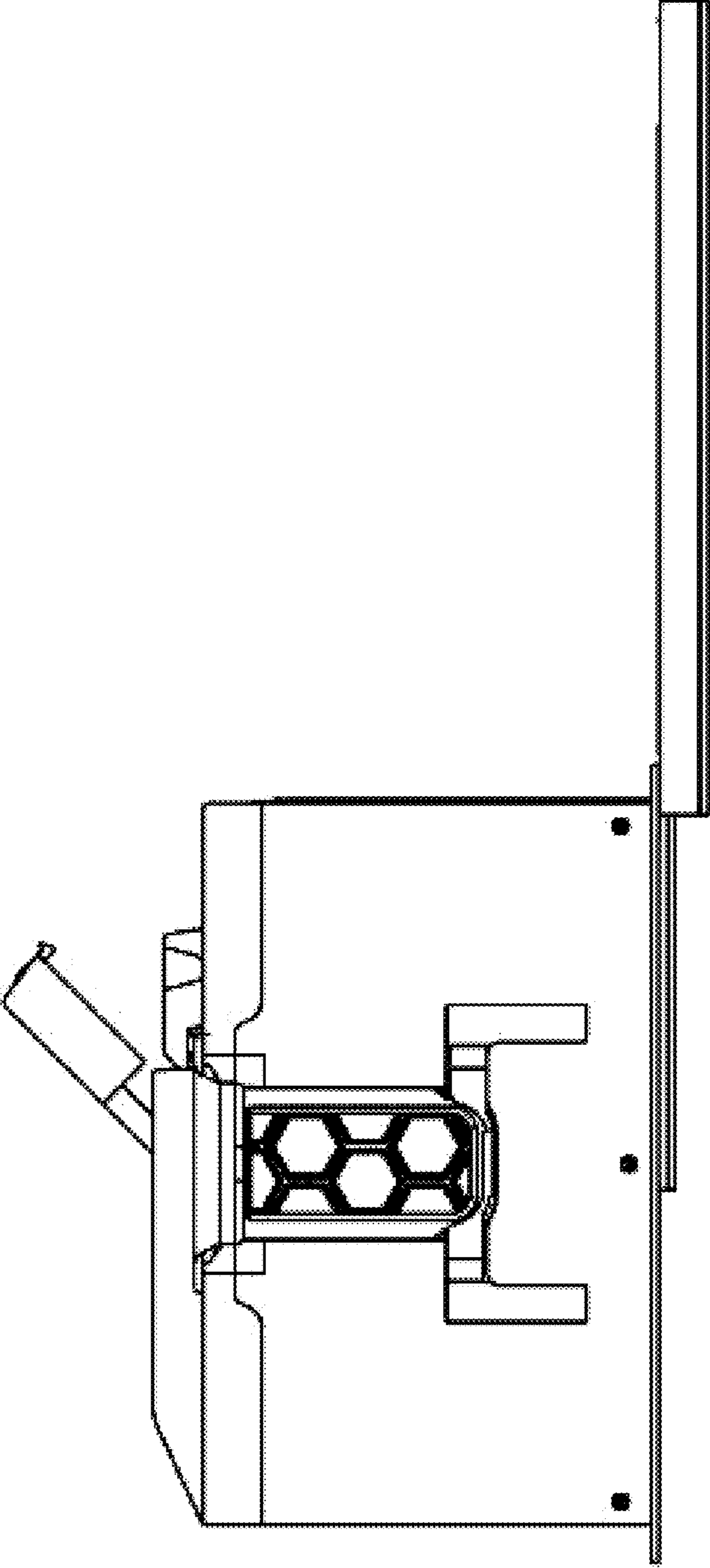


FIG. 4

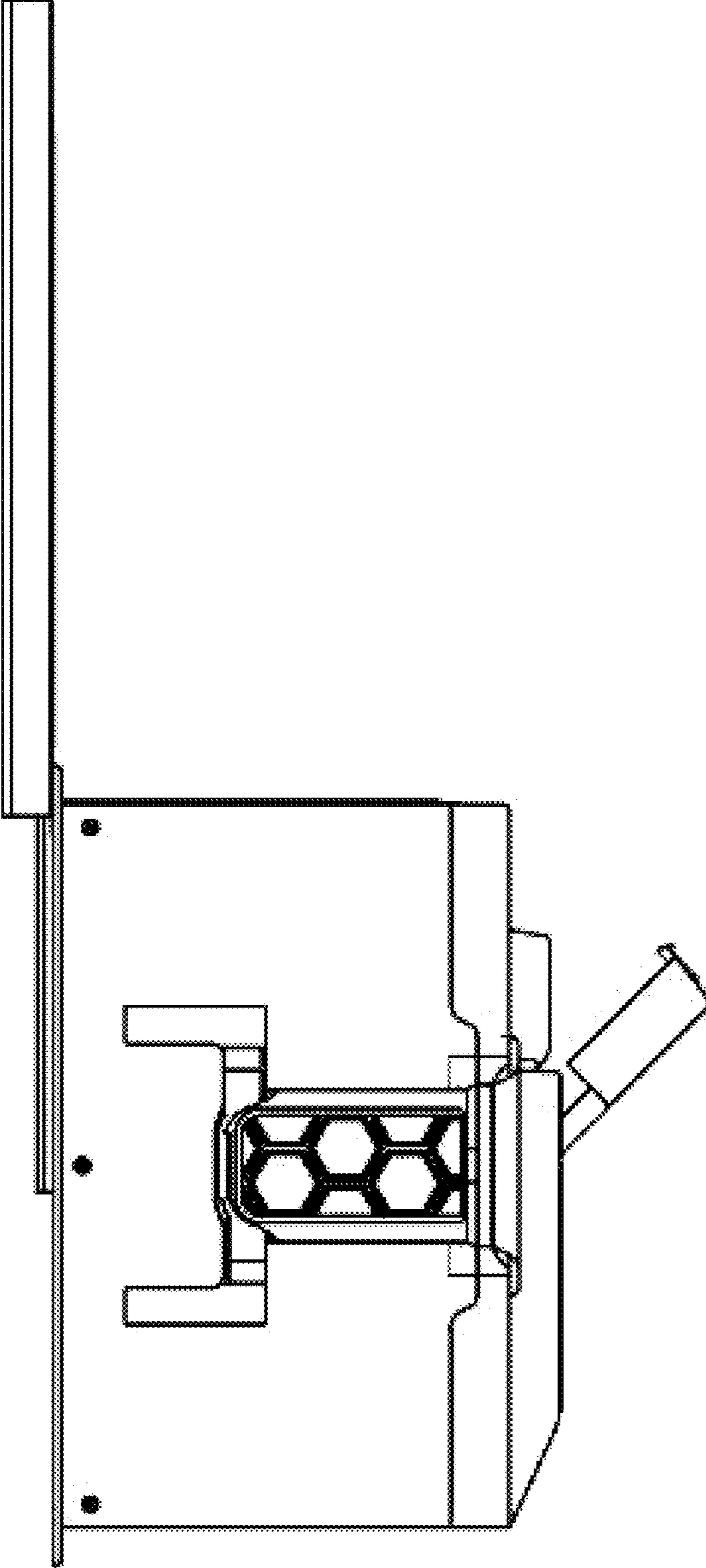


FIG. 5

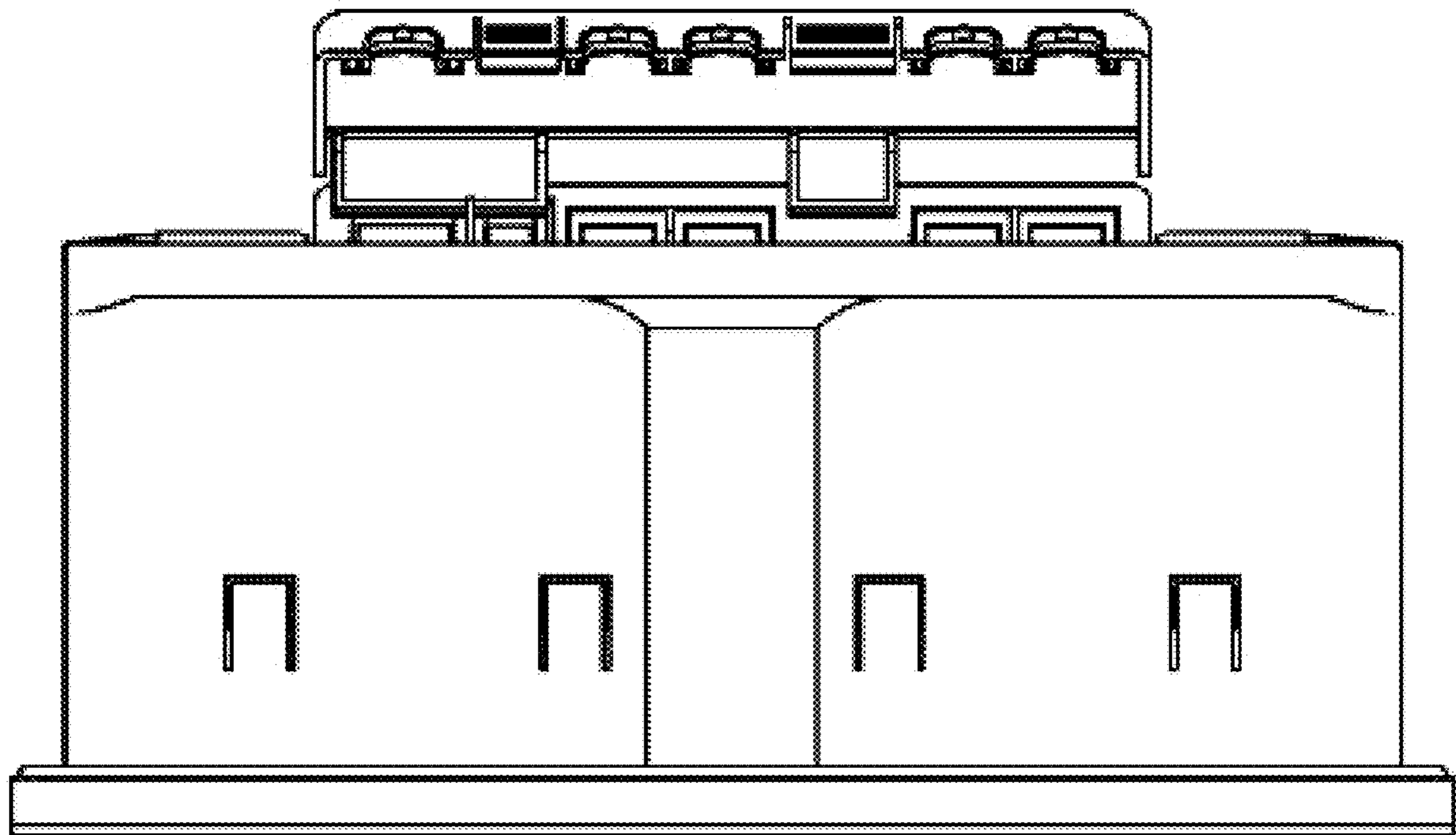


FIG. 6

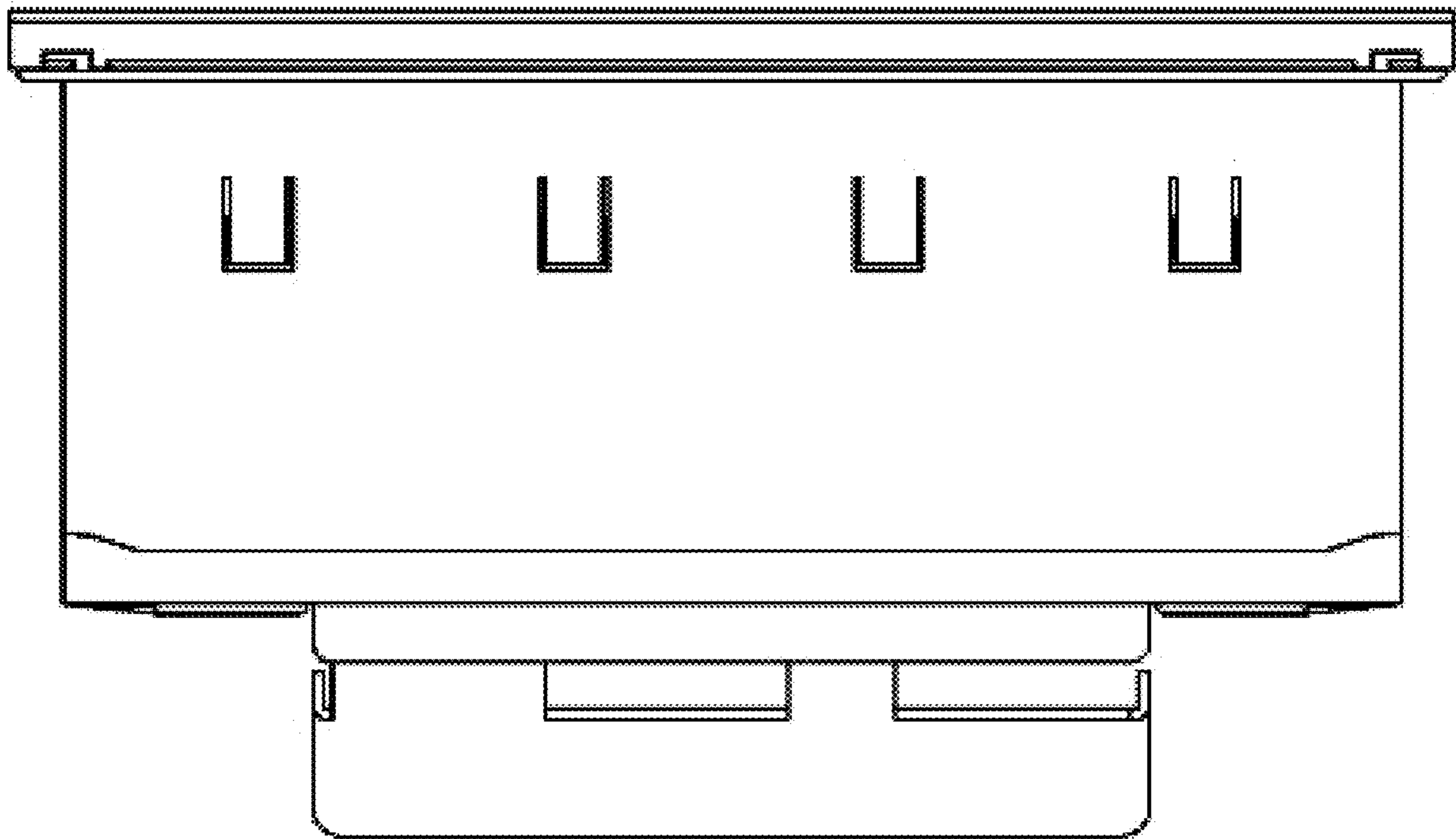


FIG. 7