



US00D950545S

(12) **United States Design Patent** (10) **Patent No.:** **US D950,545 S**  
**Harvey** (45) **Date of Patent:** **\*\* May 3, 2022**

(54) **BUILDING CONTROLLER**  
(71) Applicant: **PassiveLogic, Inc.**, Holladay, UT (US)  
(72) Inventor: **Troy Aaron Harvey**, Brighton, UT (US)  
(73) Assignee: **PASSIVELOGIC, INC.**, Holladay, UT (US)  
(\*\*) Term: **15 Years**  
(21) Appl. No.: **29/748,474**

D815,629 S \* 4/2018 Jones, Sr. .... D14/307  
D831,639 S \* 10/2018 Terry ..... D14/307  
D833,427 S \* 11/2018 Hansen ..... D14/307  
D873,262 S \* 1/2020 Fernando ..... D14/307  
D881,184 S \* 4/2020 Frezal ..... D14/307  
D886,096 S \* 6/2020 Mangeot ..... D14/307  
D892,110 S \* 8/2020 Birgeoglu ..... D14/307  
D902,918 S \* 11/2020 Friedli ..... D14/307  
D907,633 S \* 1/2021 Li ..... D14/358  
D912,663 S \* 3/2021 Cebe ..... D14/336  
D925,517 S \* 7/2021 Ushery, Jr. .... D14/307  
D937,259 S \* 11/2021 Li ..... D14/358  
D937,824 S \* 12/2021 Ye ..... D14/307  
D938,412 S \* 12/2021 Chen ..... D14/307  
D938,420 S \* 12/2021 Li ..... D14/358

\* cited by examiner

(22) Filed: **Aug. 28, 2020**  
(51) **LOC (13) Cl.** ..... **14-02**  
(52) **U.S. Cl.**  
USPC ..... **D14/307**  
(58) **Field of Classification Search**  
USPC ..... D14/302-307, 900-902, 358; D13/163,  
D13/162.1; D99/28; 700/300, 276, 182,  
700/19; 361/679.01, 679.02, 679.04,  
361/679.21, 679.57, 725  
CPC ..... G06Q 20/18; G06Q 20/10; G06Q 20/123;  
G06Q 20/20; G06Q 30/02; G06Q 30/06;  
A47F 9/047  
See application file for complete search history.

*Primary Examiner* — Austin Murphy  
(74) *Attorney, Agent, or Firm* — Kunzler Bean & Adamson, PC

(57) **CLAIM**

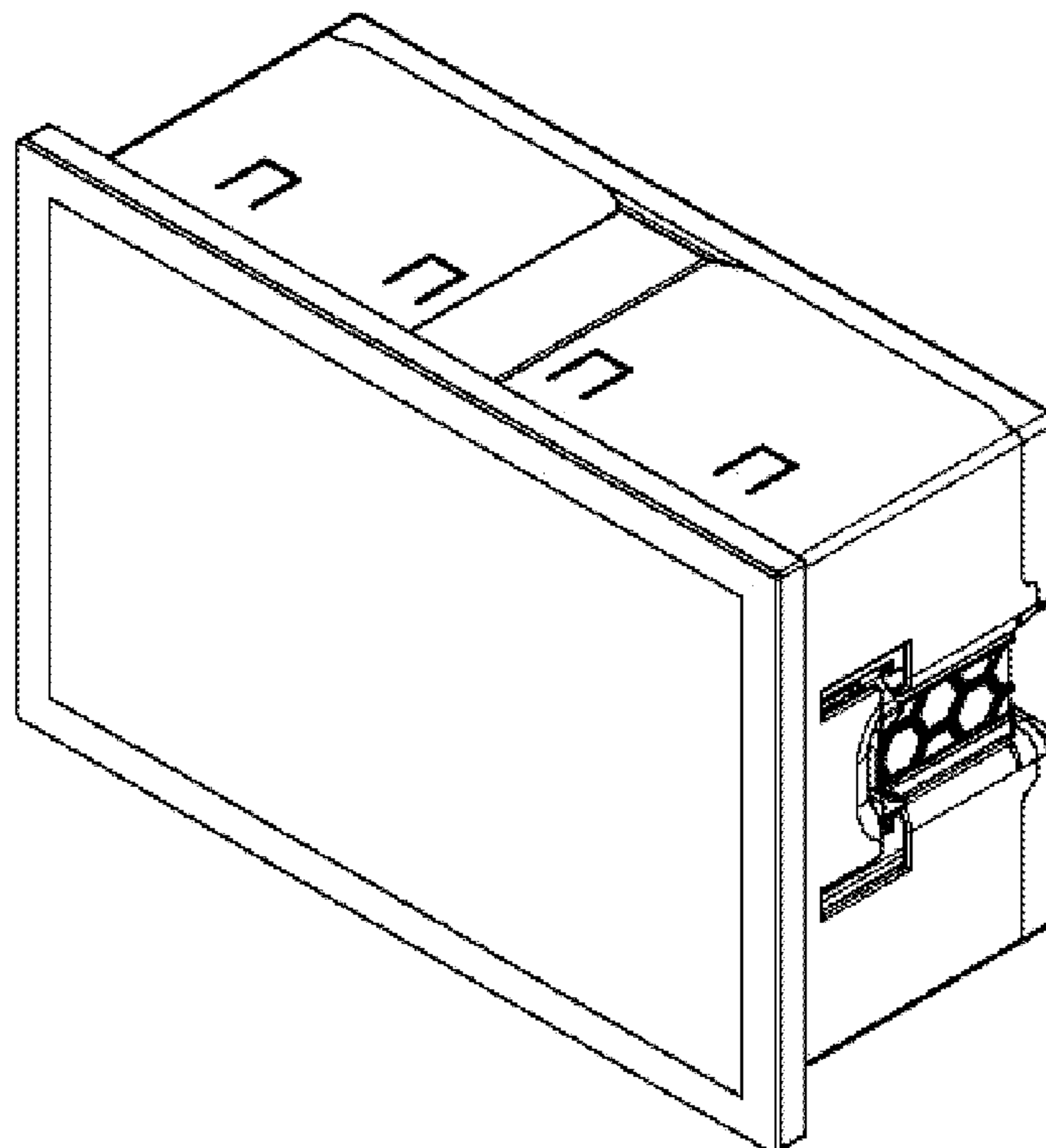
The ornamental design for a building controller, as shown and described.

**DESCRIPTION**

FIG. 1 is a perspective view of a building controller; FIG. 2 is a front view of the building controller; FIG. 3 is a rear view of the building controller; FIG. 4 is a left view of the building controller; FIG. 5 is a right view of the building controller; FIG. 6 is a top view of the building controller; and, FIG. 7 is a bottom view of the building controller.

**1 Claim, 7 Drawing Sheets**

(56) **References Cited**  
U.S. PATENT DOCUMENTS  
D640,252 S \* 6/2011 Kuroda ..... D14/307  
D687,429 S \* 8/2013 Nelson ..... D14/307  
D697,062 S \* 1/2014 Nagai ..... D14/307  
D721,695 S \* 1/2015 Birgeoglu ..... D14/307



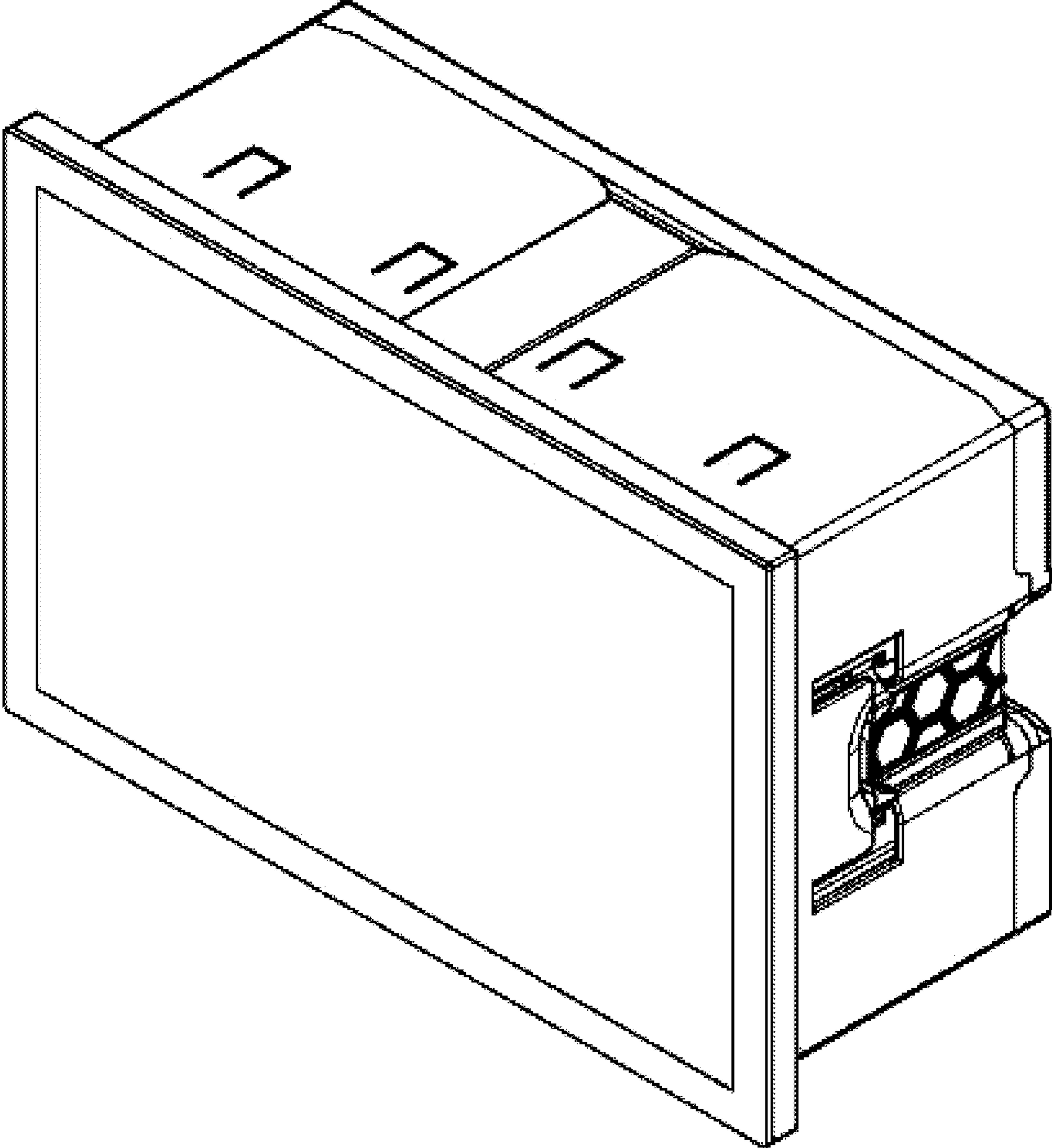


FIG. 1

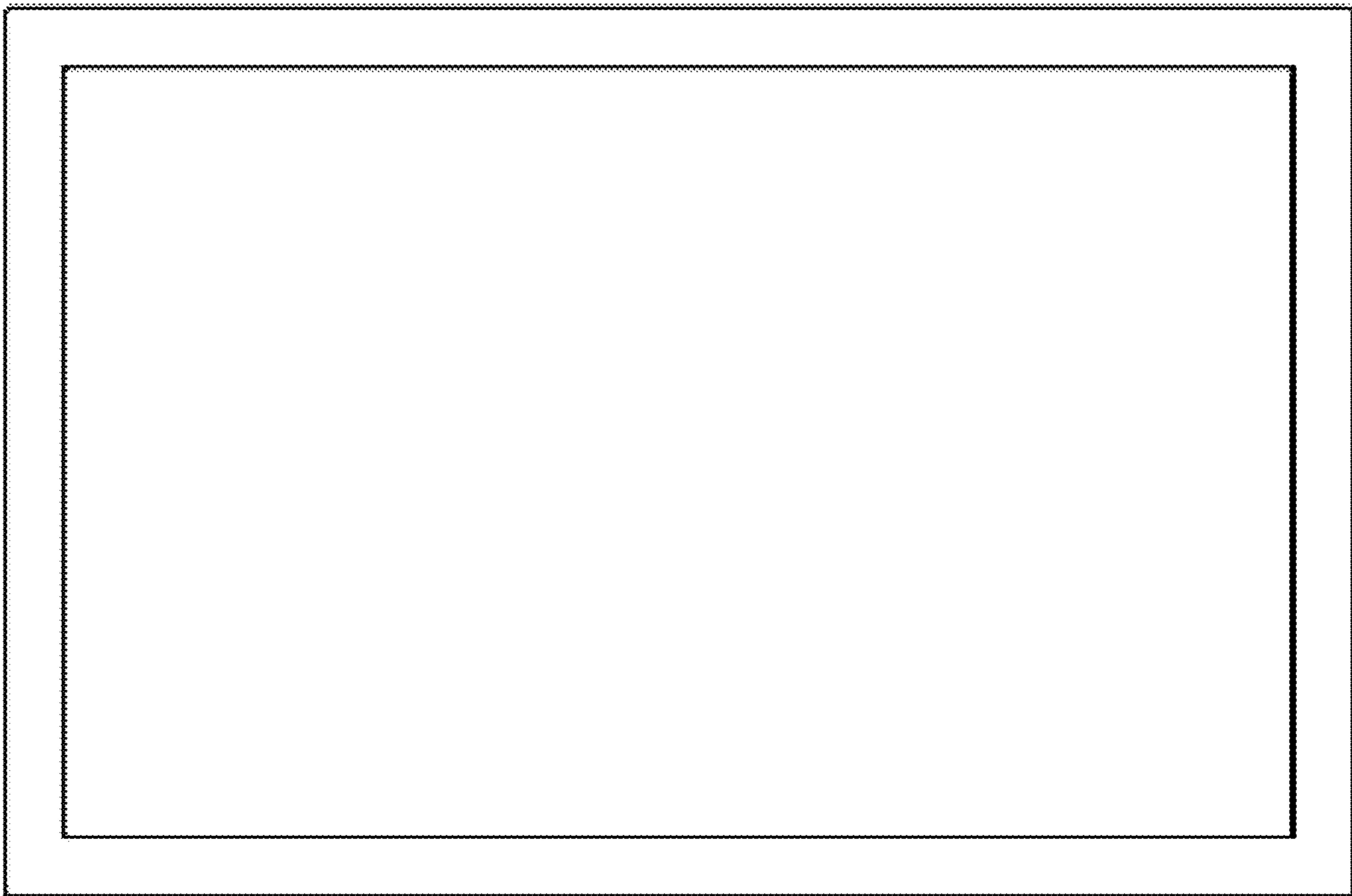


FIG. 2

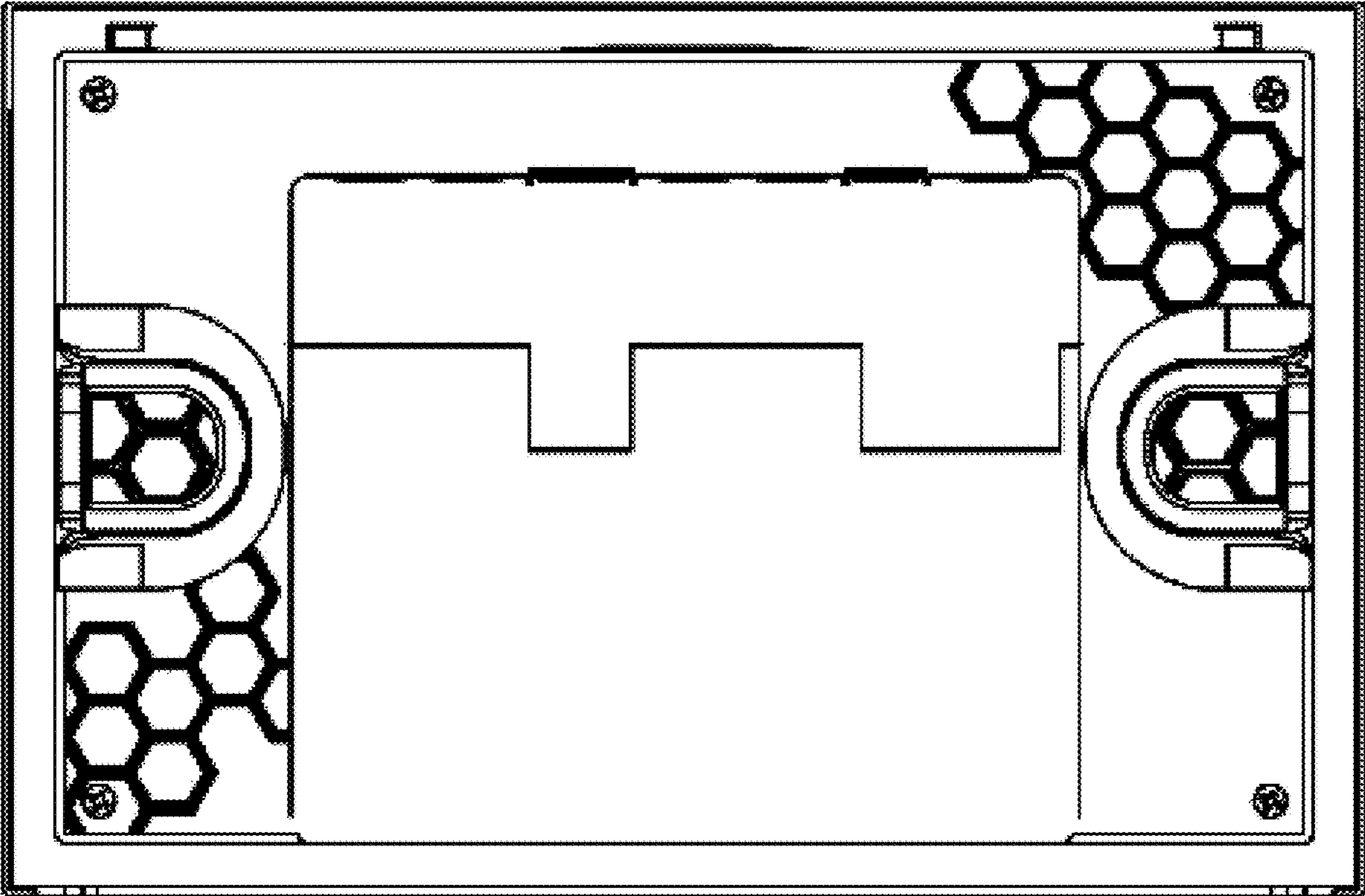


FIG. 3

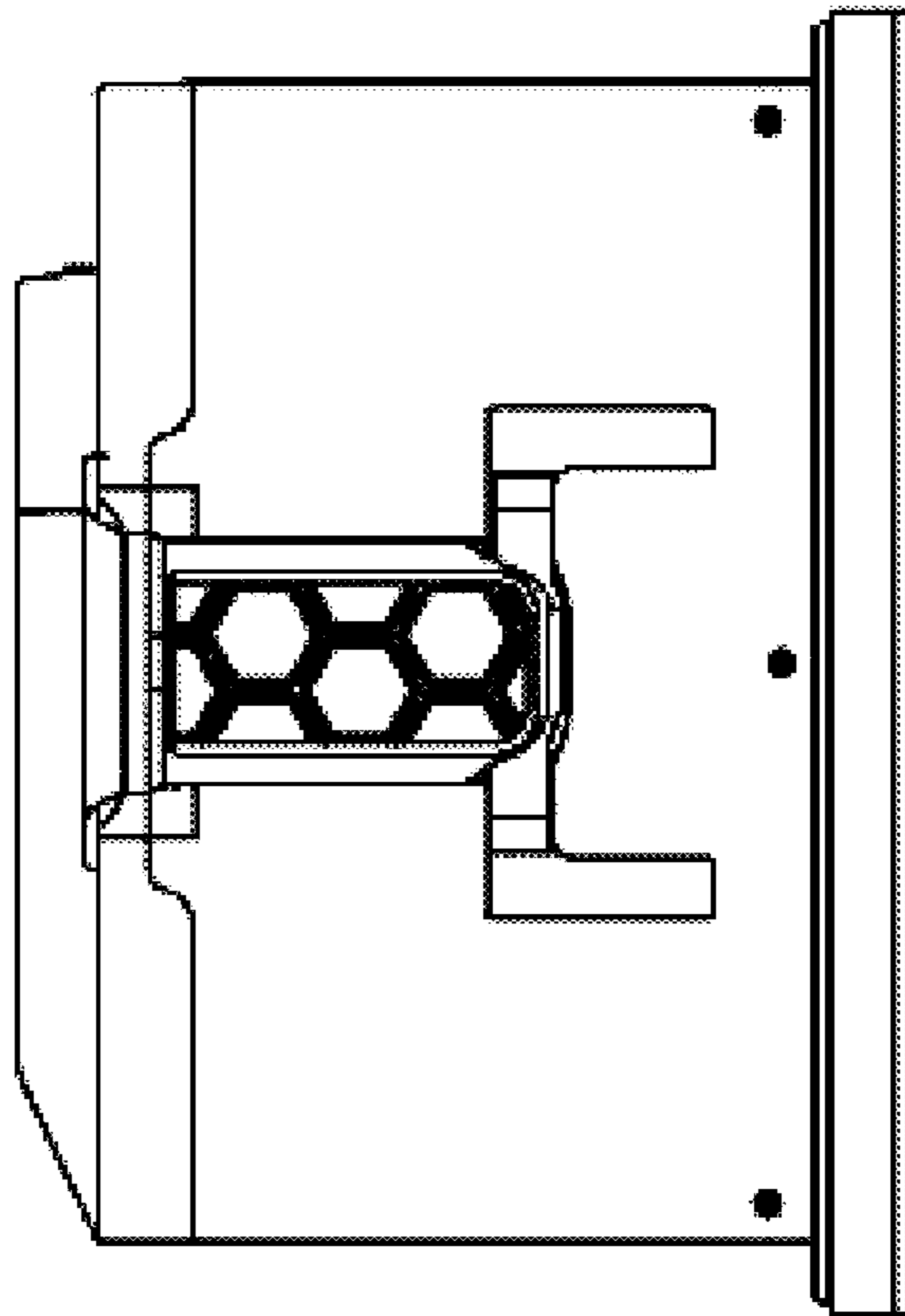


FIG. 4

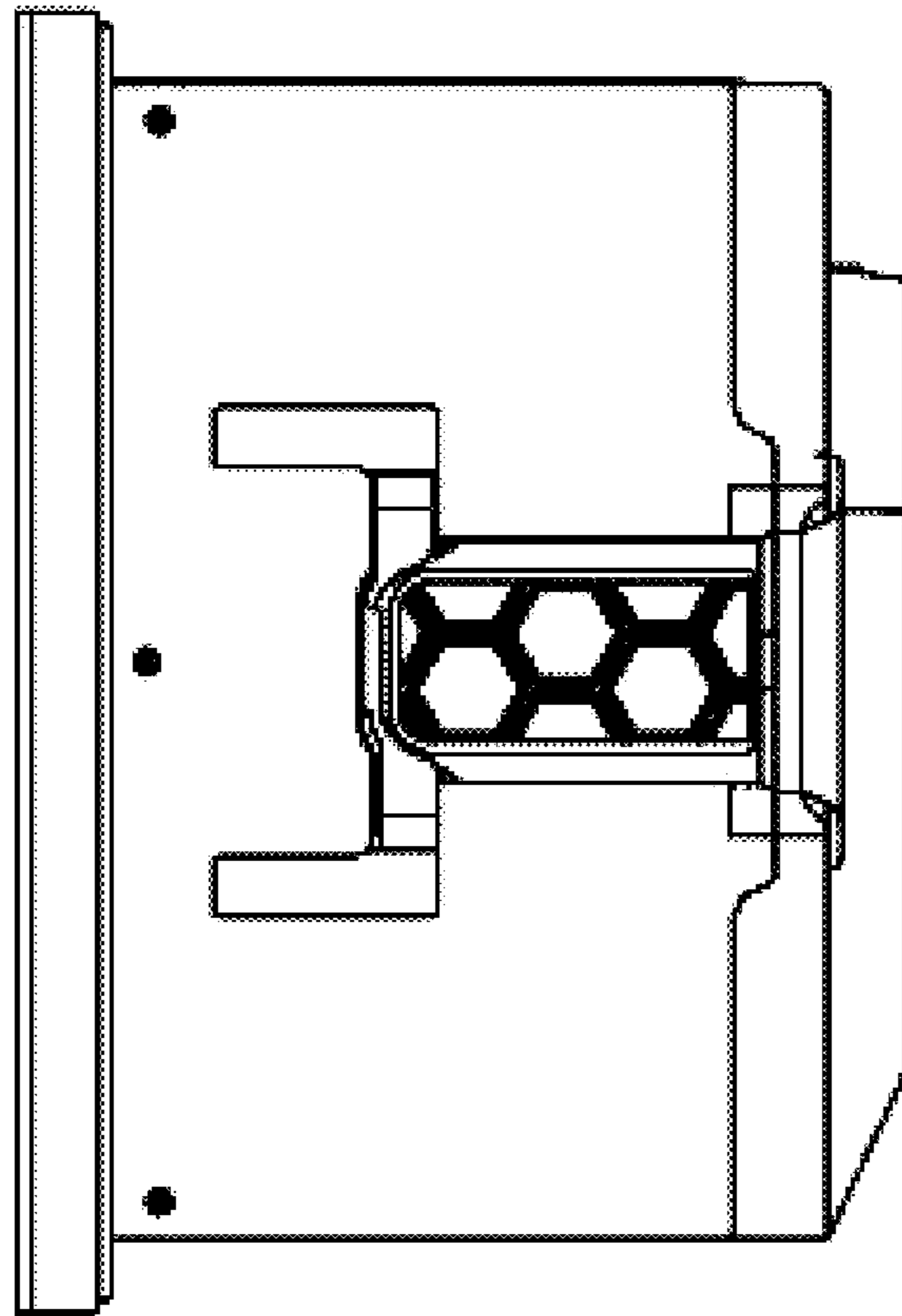


FIG. 5

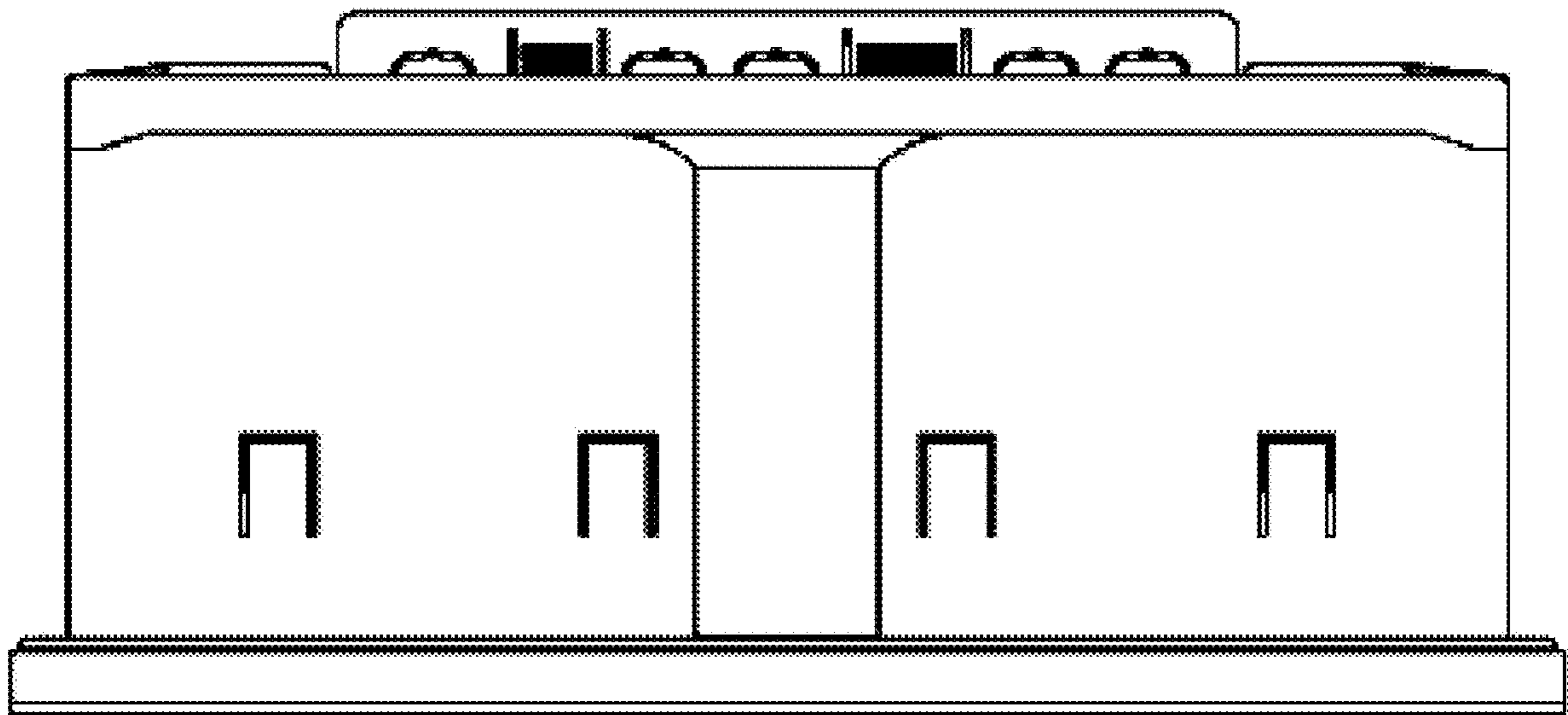


FIG. 6

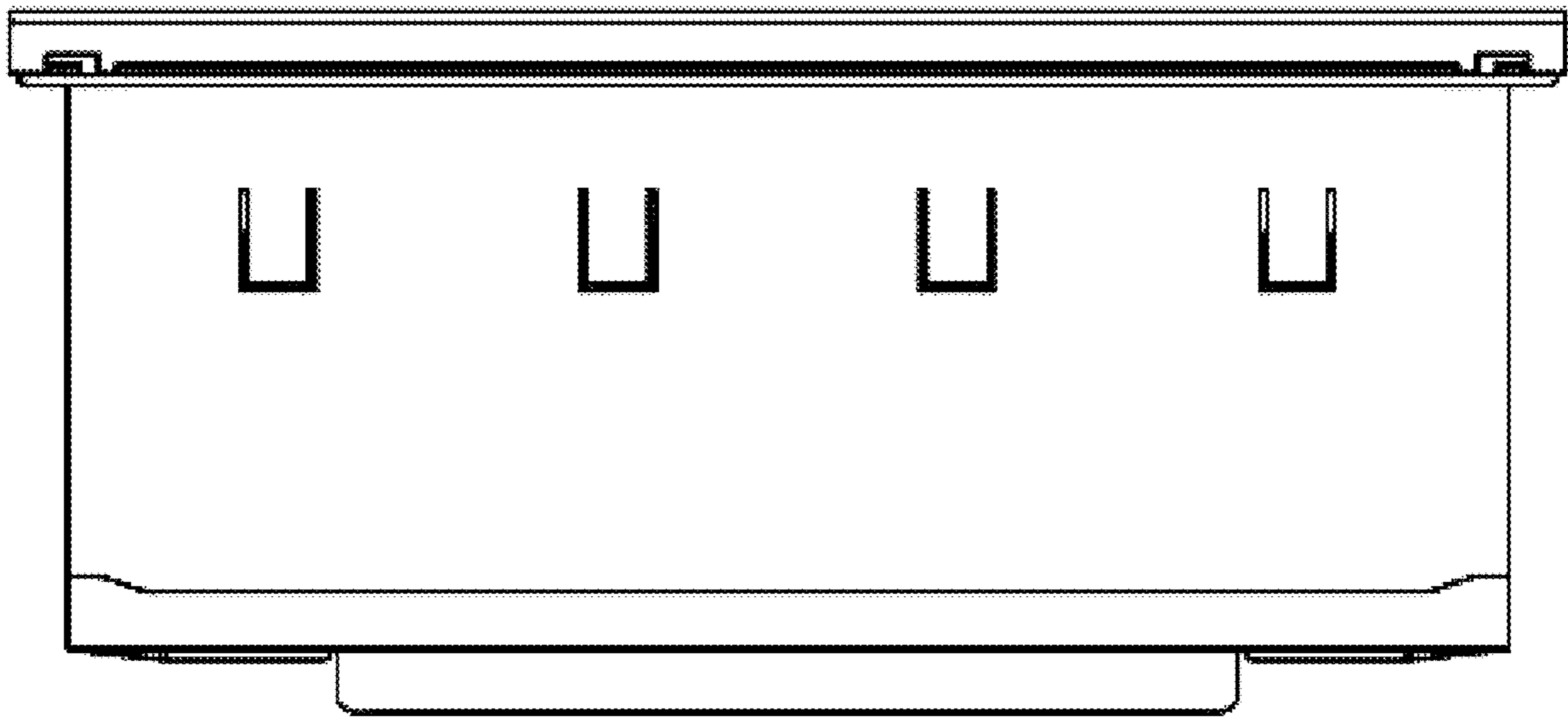


FIG. 7