



US00D950544S

(12) **United States Design Patent**  
**Bucher et al.**

(10) **Patent No.:** **US D950,544 S**  
(45) **Date of Patent:** **\*\* May 3, 2022**

(54) **GLOBAL NAVIGATION SATELLITE SYSTEM HOLDER**

(71) Applicant: **LEICA GEOSYSTEMS AG**,  
Heerbrugg (CH)

(72) Inventors: **Timothy Bucher**, Rorschacherberg  
(CH); **Alexander Fischer**, Buch am  
Erlbach (DE); **Stefan Riehle**,  
Ludwigsburg (DE); **Matthias Wieser**,  
Wendlingen am Neckar (DE)

(\*\*) Term: **15 Years**

(21) Appl. No.: **35/511,538**

(22) Filed: **Sep. 9, 2020**

(80) **Hague Agreement Data**

Int. Filing Date: **Sep. 9, 2020**  
Int. Reg. No.: **DM/210351**  
Int. Reg. Date: **Sep. 9, 2020**  
Int. Reg. Pub. Date: **Mar. 12, 2021**

(51) **LOC (13) Cl.** ..... **14-06**

(52) **U.S. Cl.**  
USPC ..... **D14/253; D14/447**

(58) **Field of Classification Search**  
USPC ..... D14/447, 432, 434, 439, 440, 451, 452,  
D14/457, 239, 251, 253  
CPC ..... A47B 21/04; A47B 2097/006; A47B  
2097/005; A47B 2023/049; A45C  
2011/002; A45C 2011/003; F16M  
2200/00; F16M 13/00  
See application file for complete search history.

(56) **References Cited**

**U.S. PATENT DOCUMENTS**

D320,992 S \* 10/1991 Jondelius ..... F16M 11/041  
D14/253  
D327,070 S \* 6/1992 Watanabe ..... D14/251

D388,795 S \* 1/1998 Richter ..... D14/253  
D535,252 S \* 1/2007 Sandnes ..... D13/108  
D607,817 S \* 1/2010 Tan ..... D13/108  
D658,168 S \* 4/2012 Werth ..... D14/253  
D667,012 S \* 9/2012 Chen ..... D14/447  
D679,700 S \* 4/2013 Werth ..... D14/253  
D691,372 S \* 10/2013 Chun ..... D3/294  
D693,296 S \* 11/2013 Lin ..... D13/108  
D807,371 S \* 1/2018 Bertelle ..... D14/447  
D840,995 S \* 2/2019 Balmer ..... D14/253  
D863,290 S \* 10/2019 Ormsbee ..... D14/253  
D895,544 S \* 9/2020 Zhao ..... D13/108

(Continued)

*Primary Examiner* — Keli L Hill

(57) **CLAIM**

The ornamental design for a global navigation satellite system holder, as shown and described.

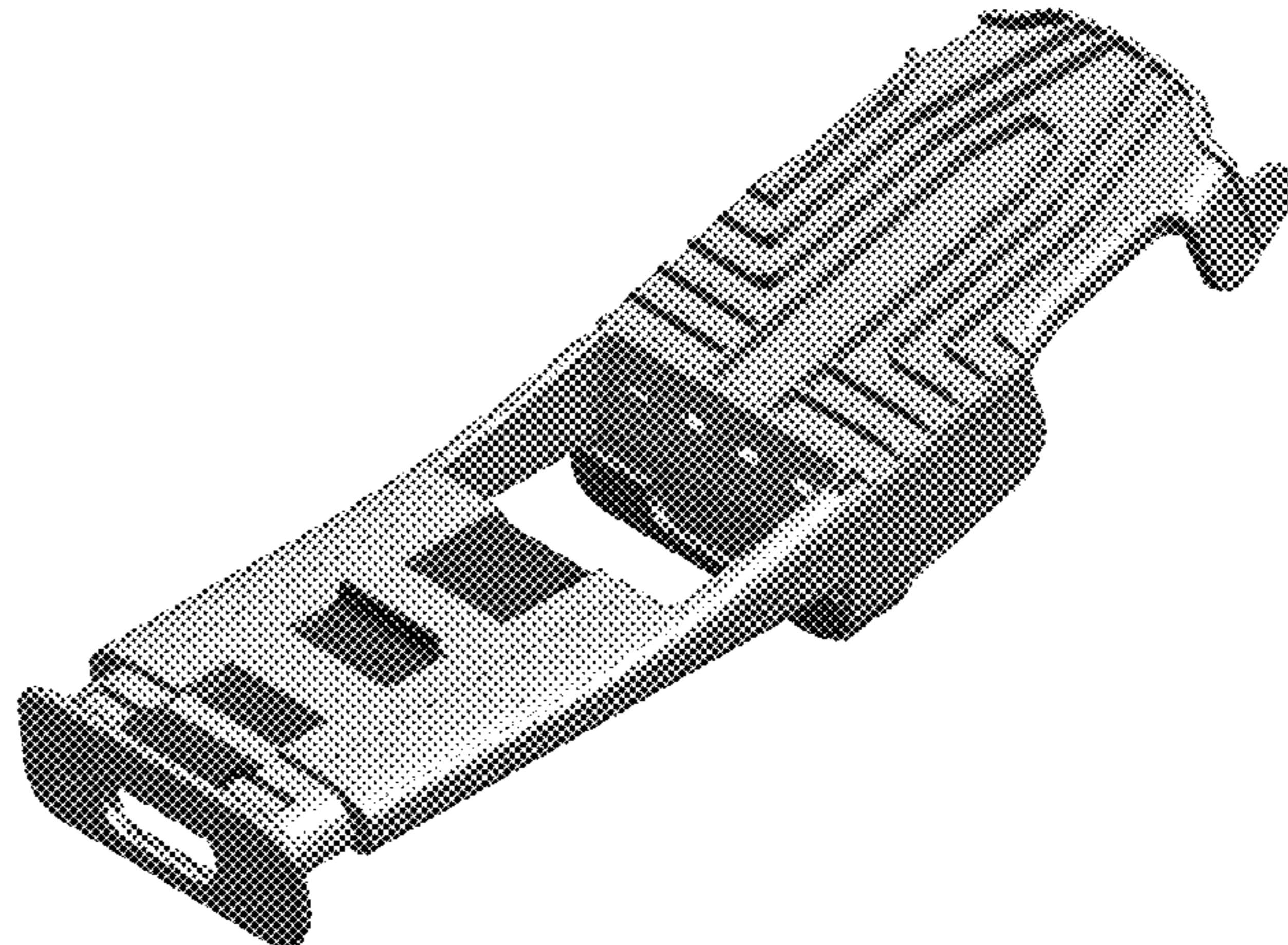
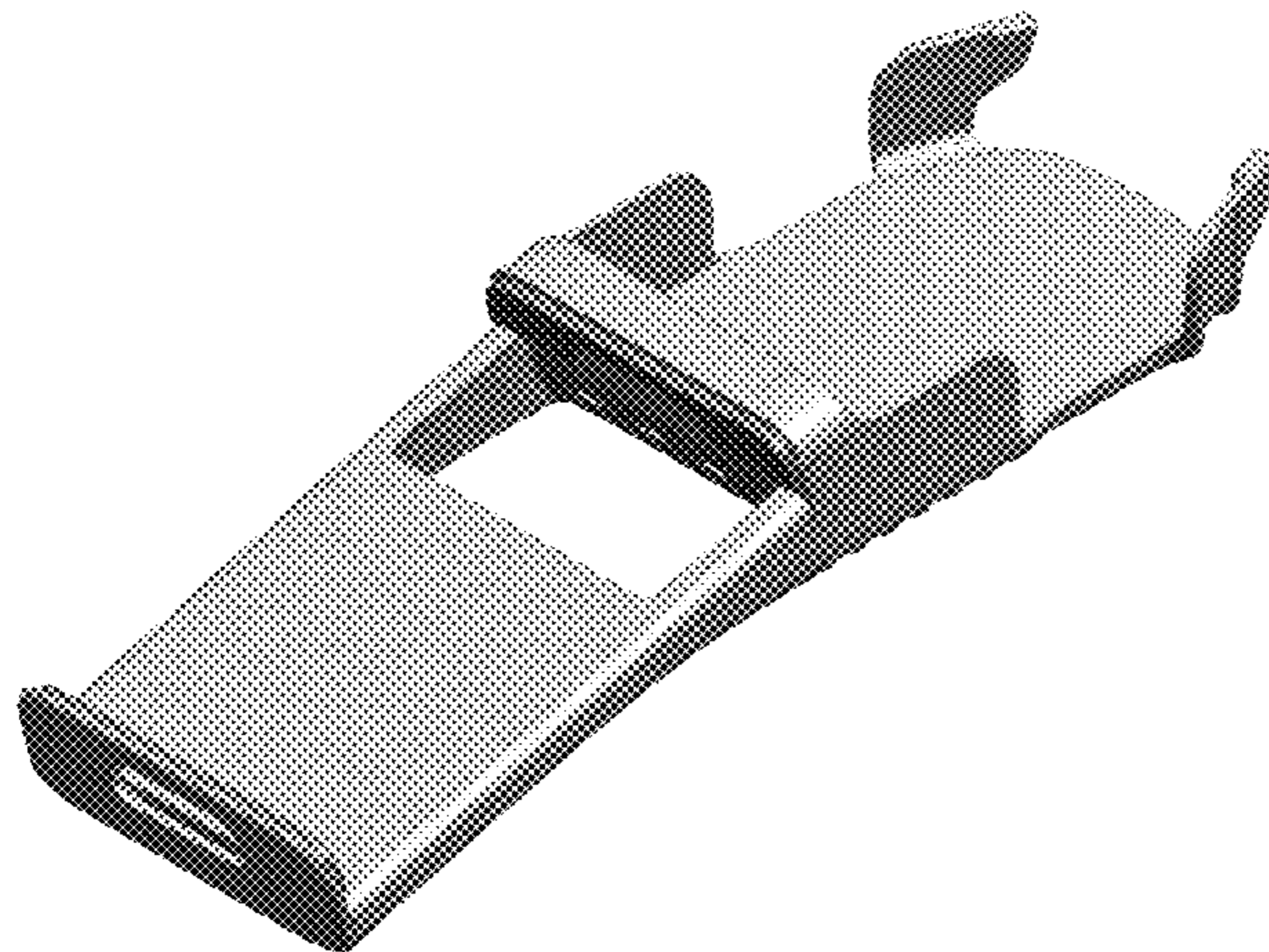
**DESCRIPTION**

1. Global navigation satellite system holder

- 1.1 : Perspective
- 1.2 : Perspective
- 1.3 : Top
- 1.4 : Bottom
- 1.5 : Right
- 1.6 : Left
- 1.7 : Front
- 1.8 : Back
- 1.9 : Perspective
- 1.10 : Perspective
- 1.11 : Top
- 1.12 : Bottom
- 1.13 : Right
- 1.14 : Left
- 1.15 : Front
- 1.16 : Back

Reproductions **1.1-1.8** show the global navigation satellite system holder in a state in which the slider is retracted; reproductions **1.9-1.16** show the global navigation satellite system holder in a state in which the slider is extended.

**1 Claim, 16 Drawing Sheets**



(56)

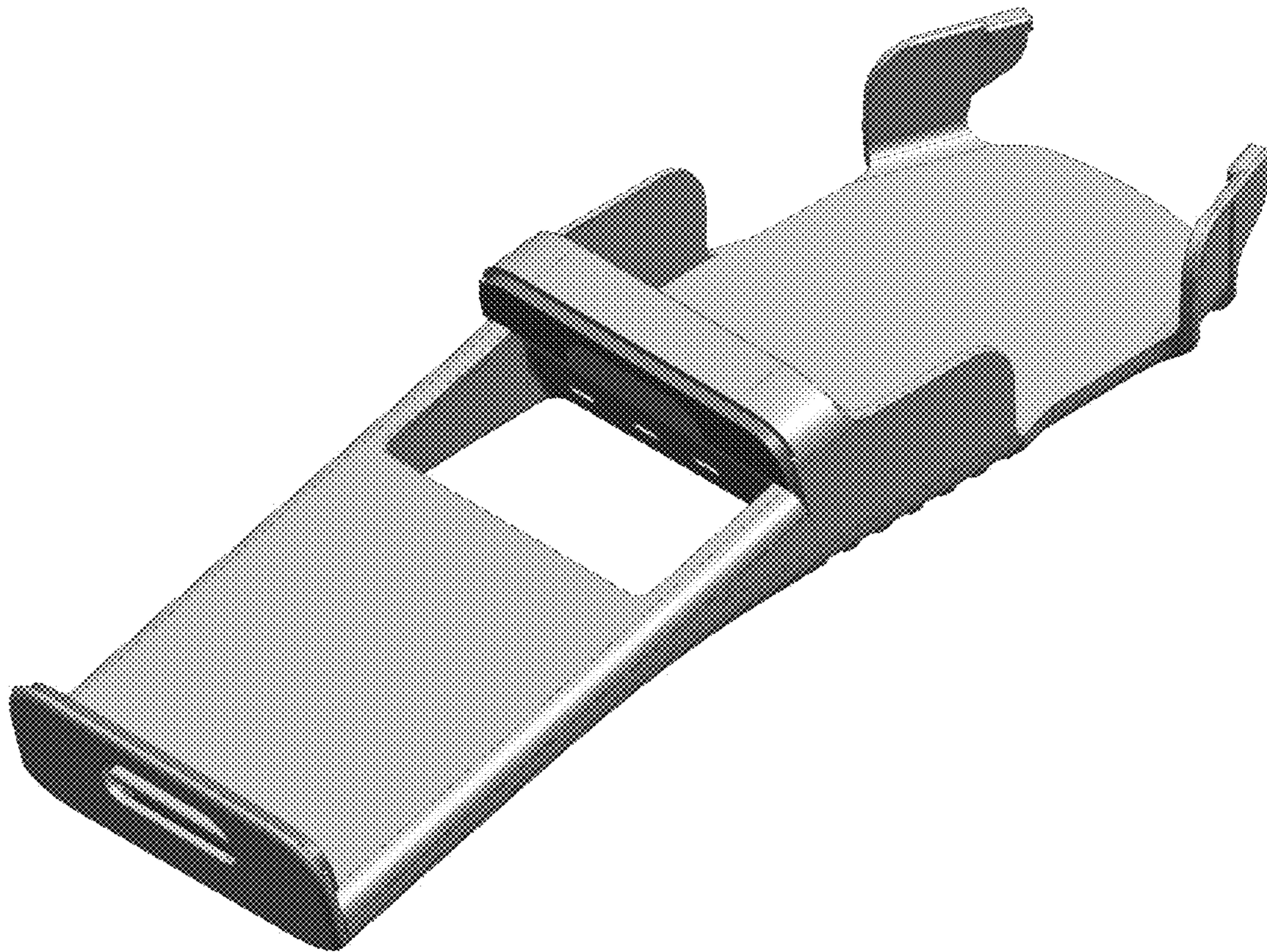
**References Cited**

U.S. PATENT DOCUMENTS

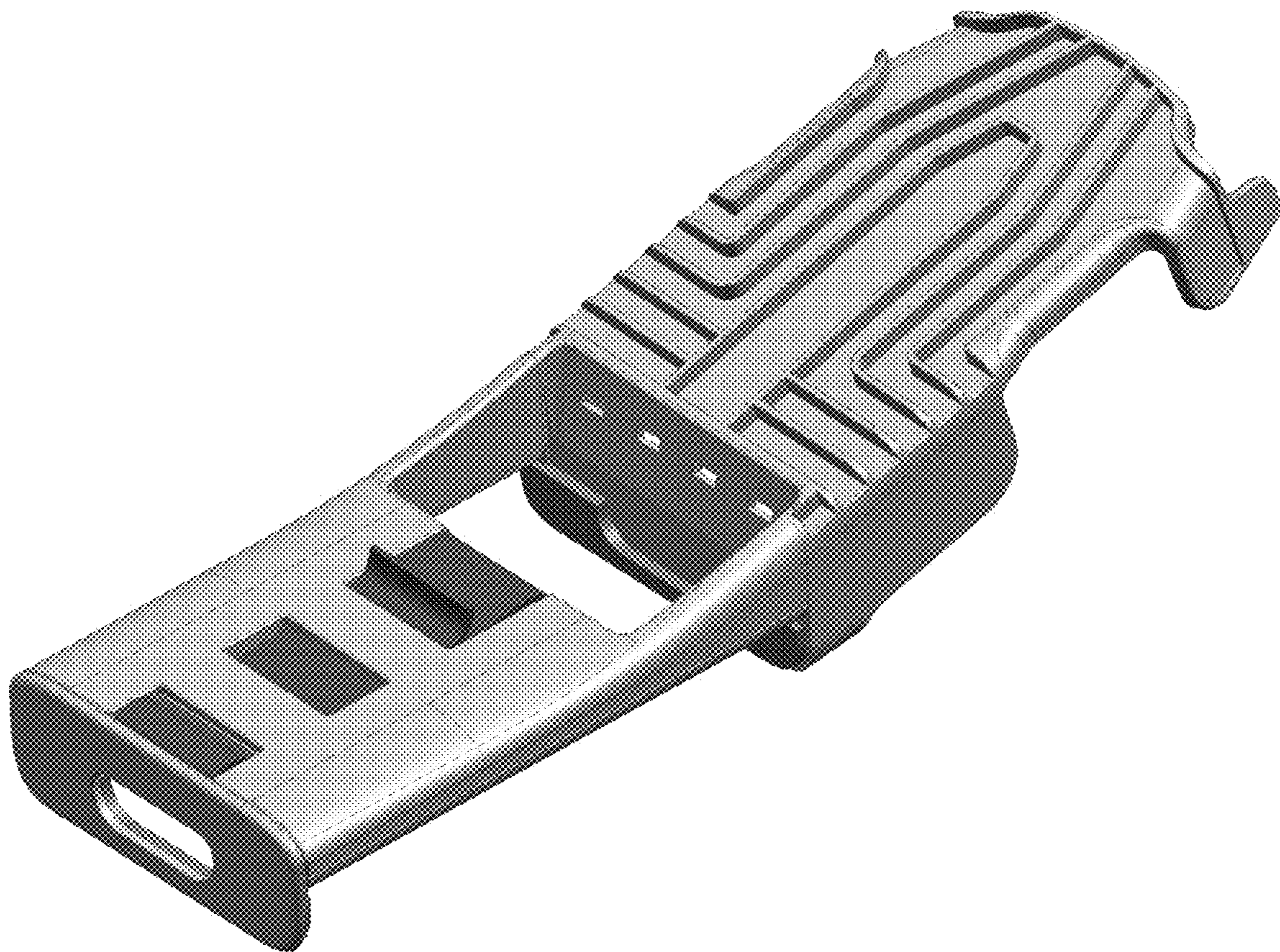
D936,645 S \* 11/2021 Deng ..... D12/114  
2016/0183393 A1\* 6/2016 Groom ..... F16M 11/041  
248/452  
2017/0318138 A1\* 11/2017 Lai ..... B42D 5/006

\* cited by examiner

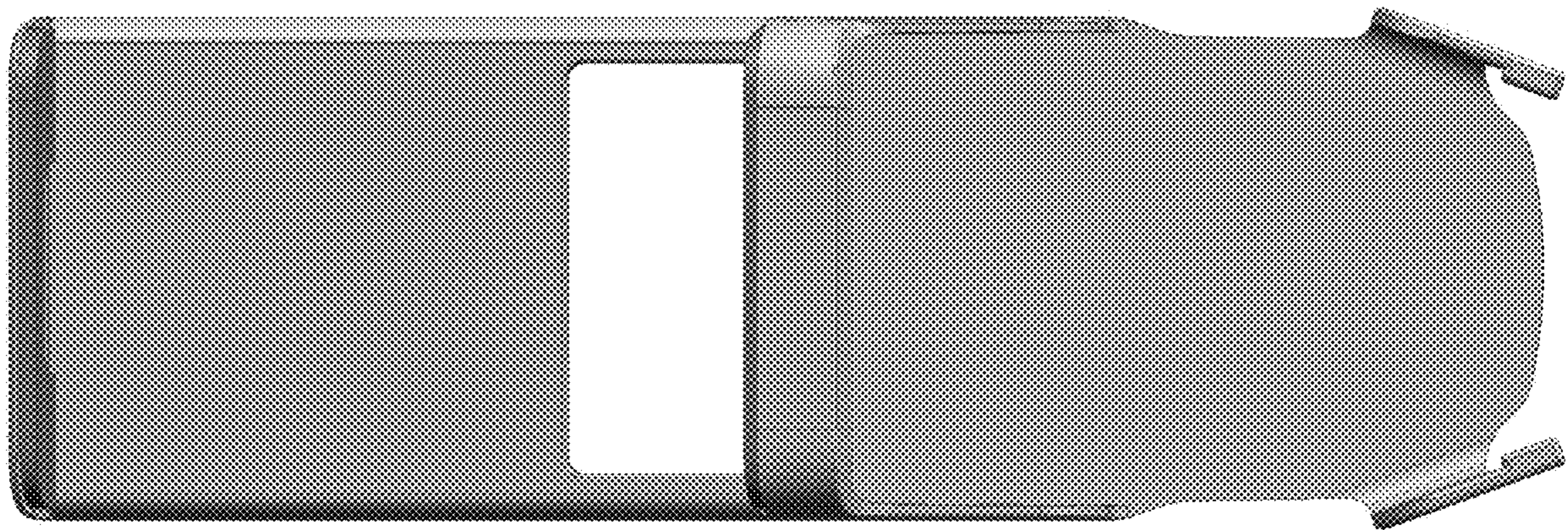
1.1



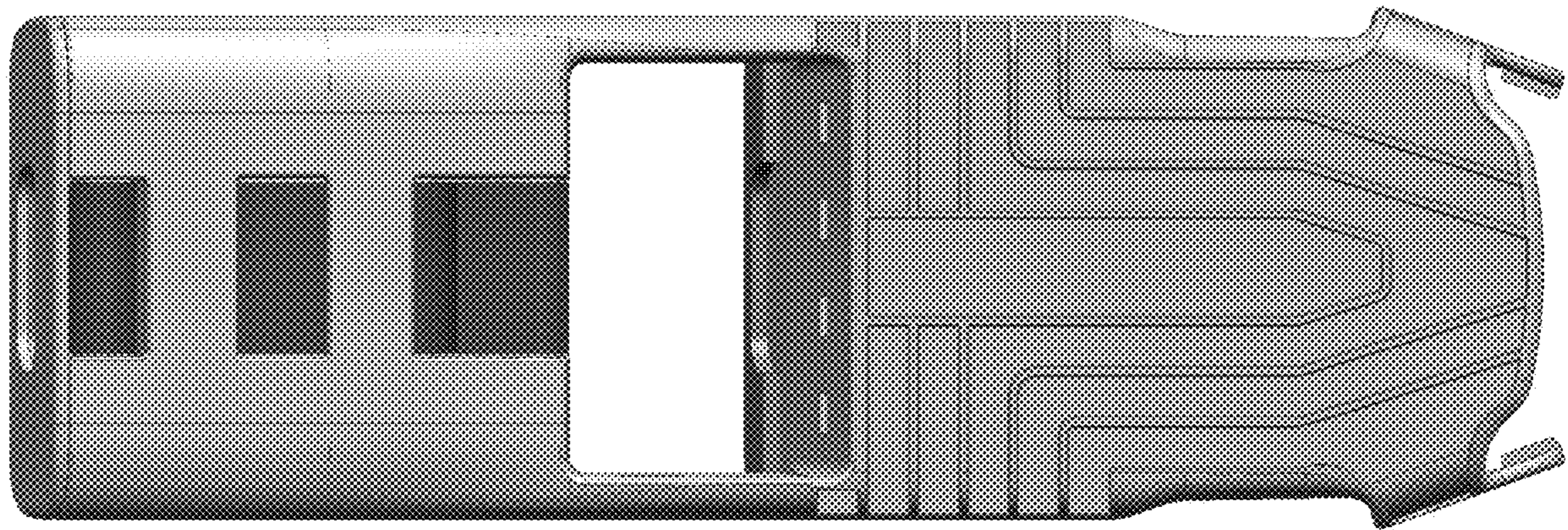
1.2



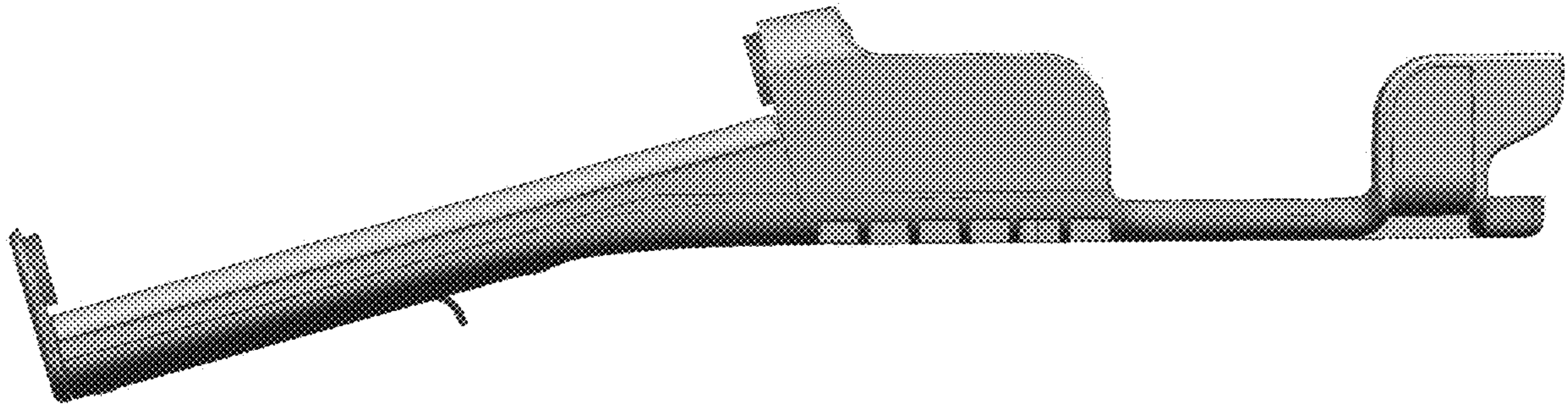
1.3



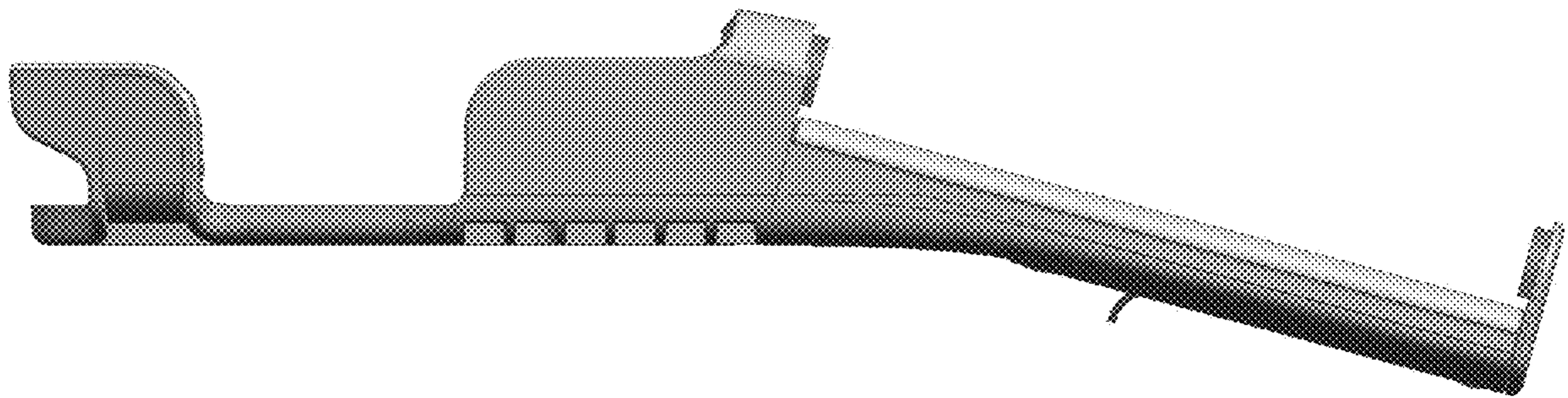
1.4



1.5

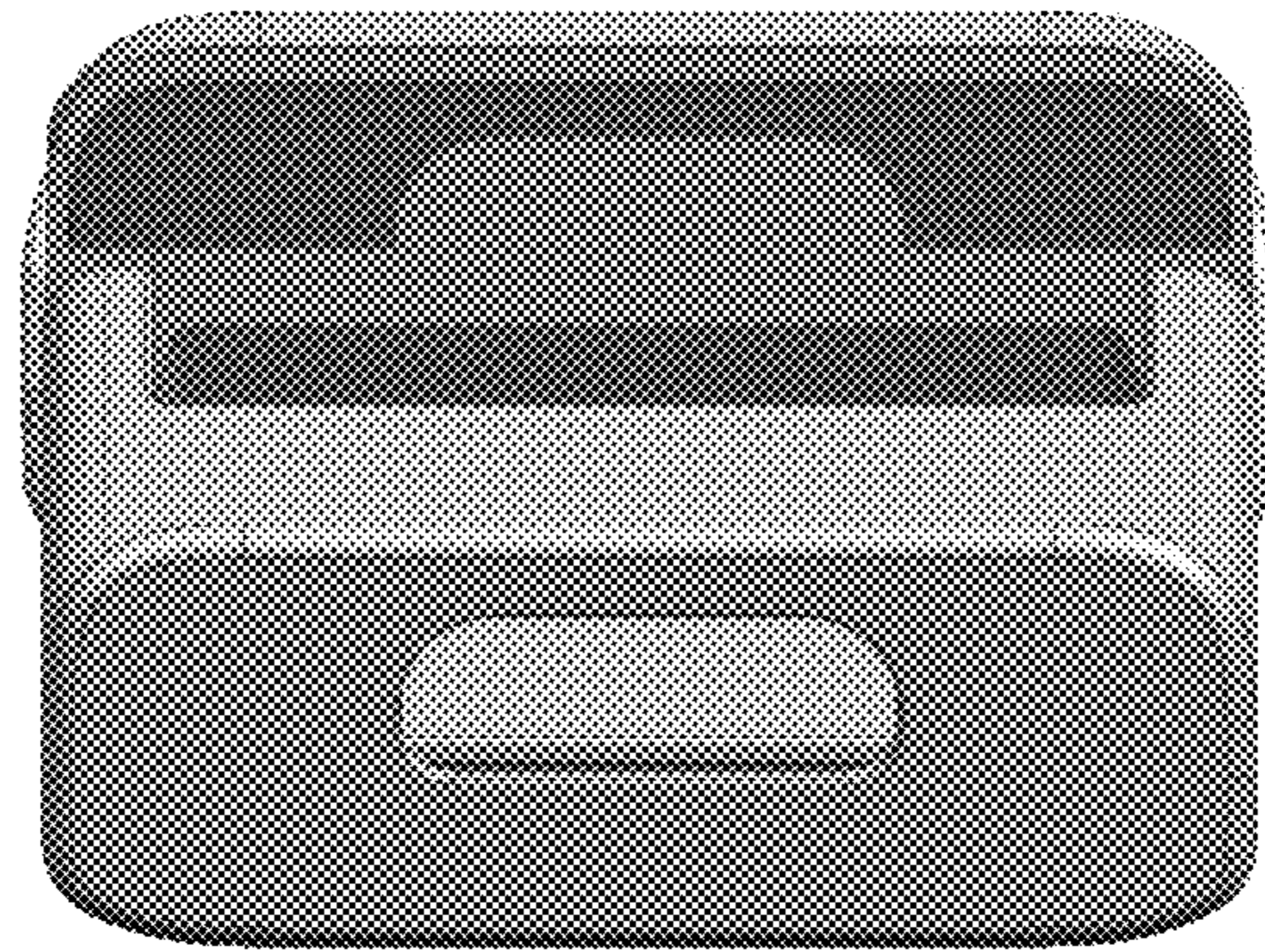


1.6

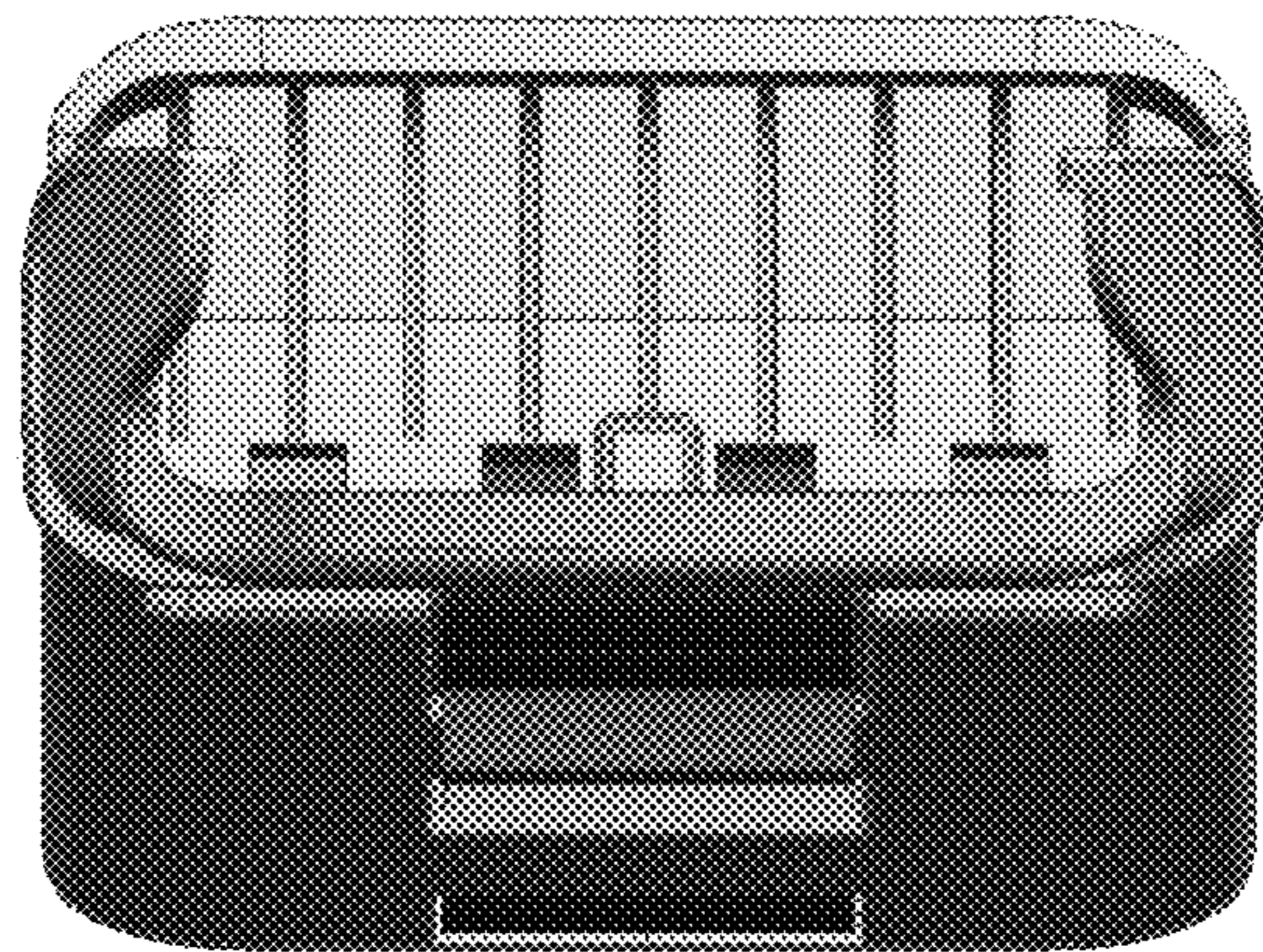




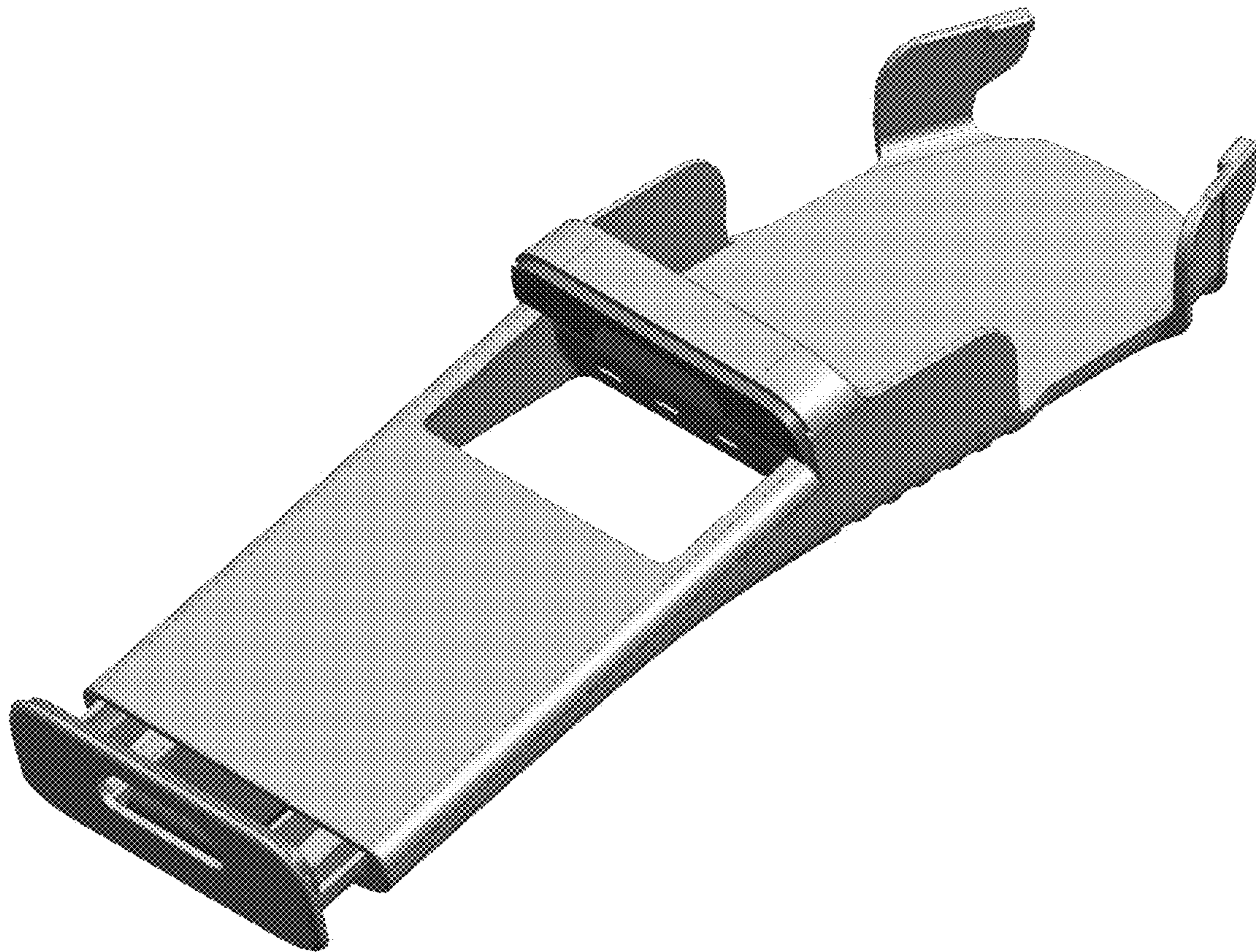
1.7



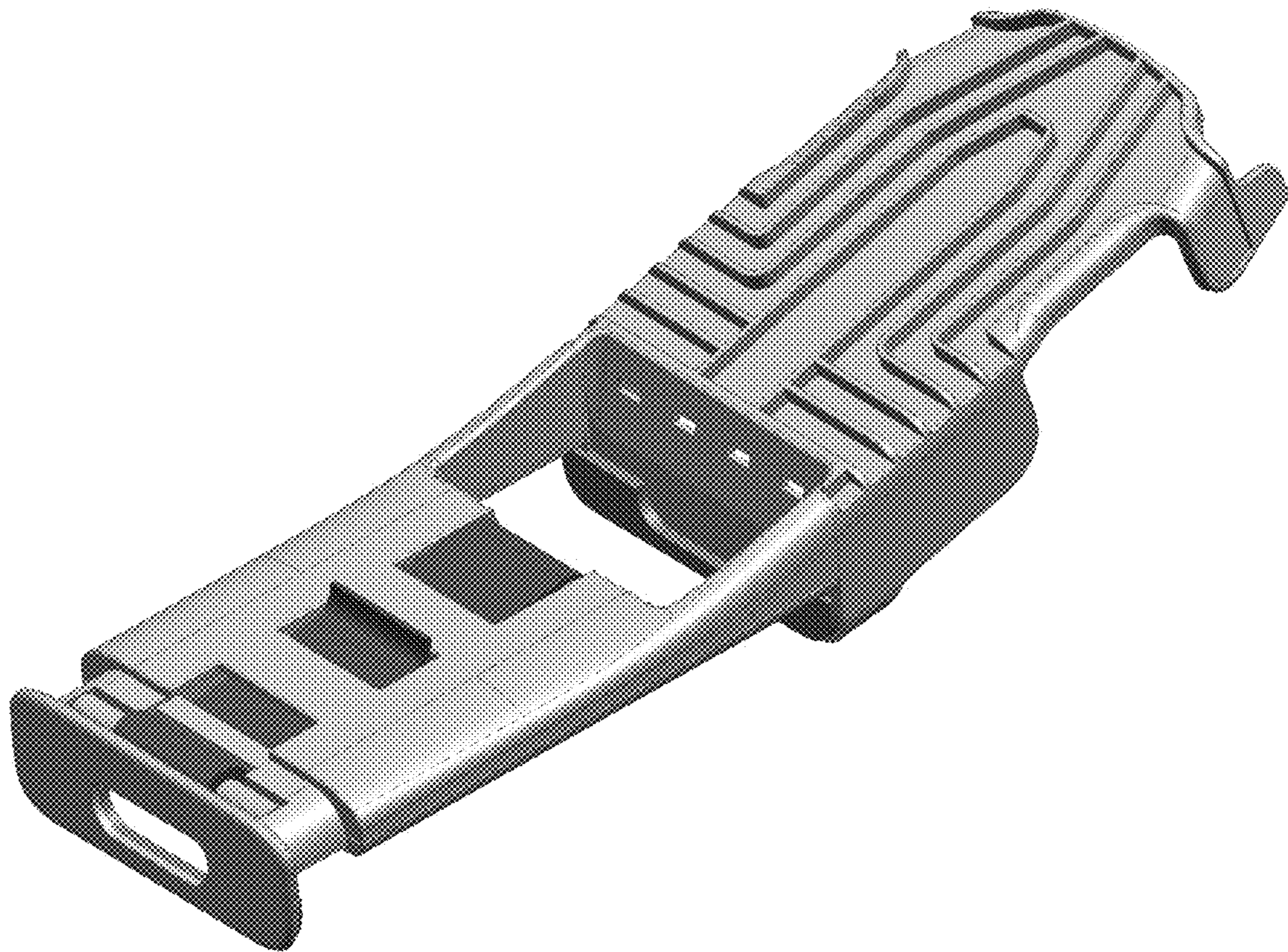
1.8



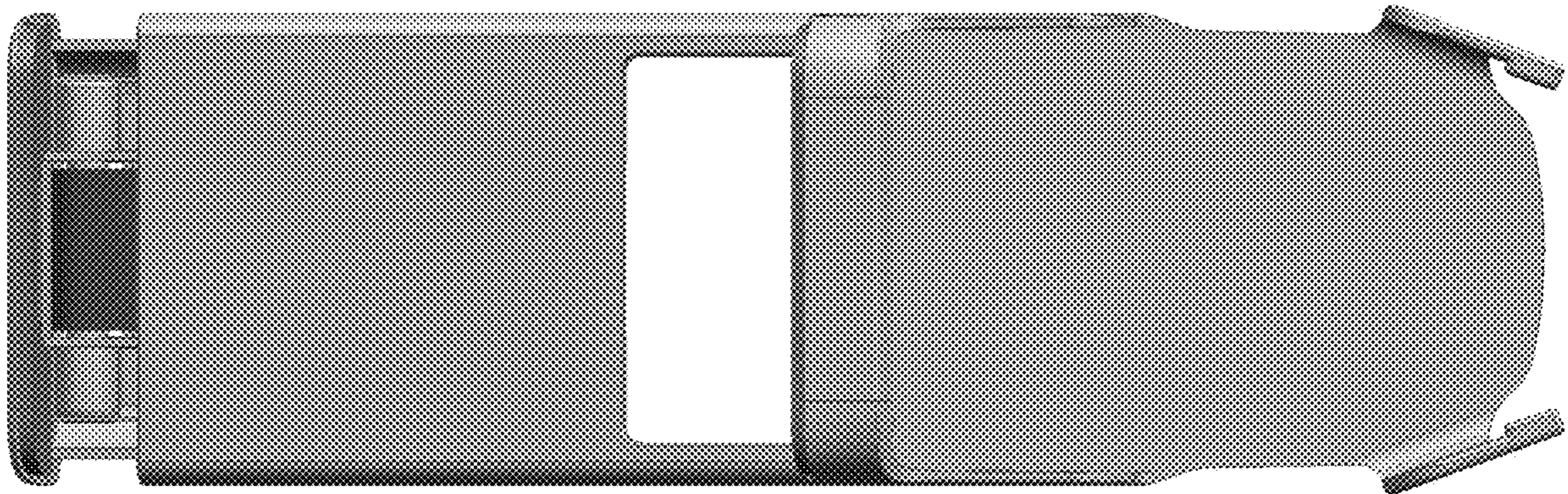
1.9



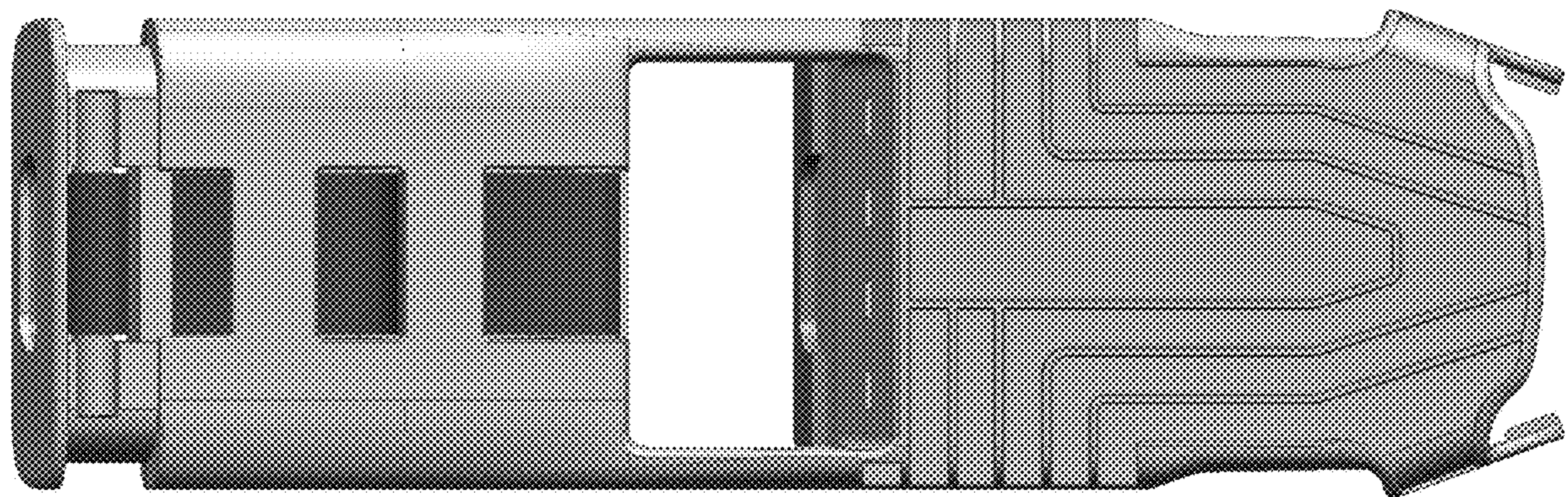
1.10



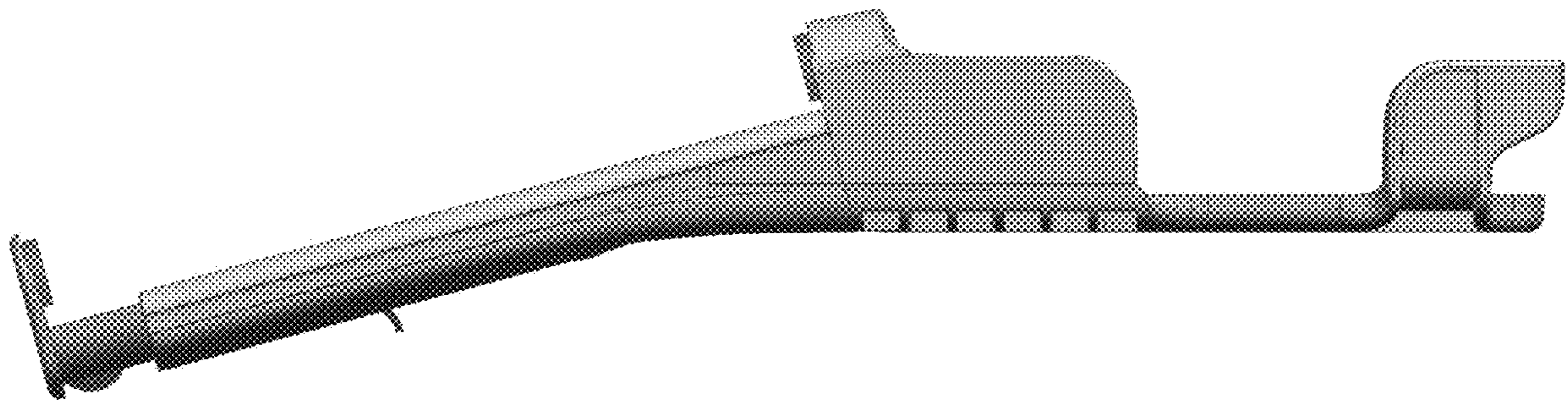
1.11



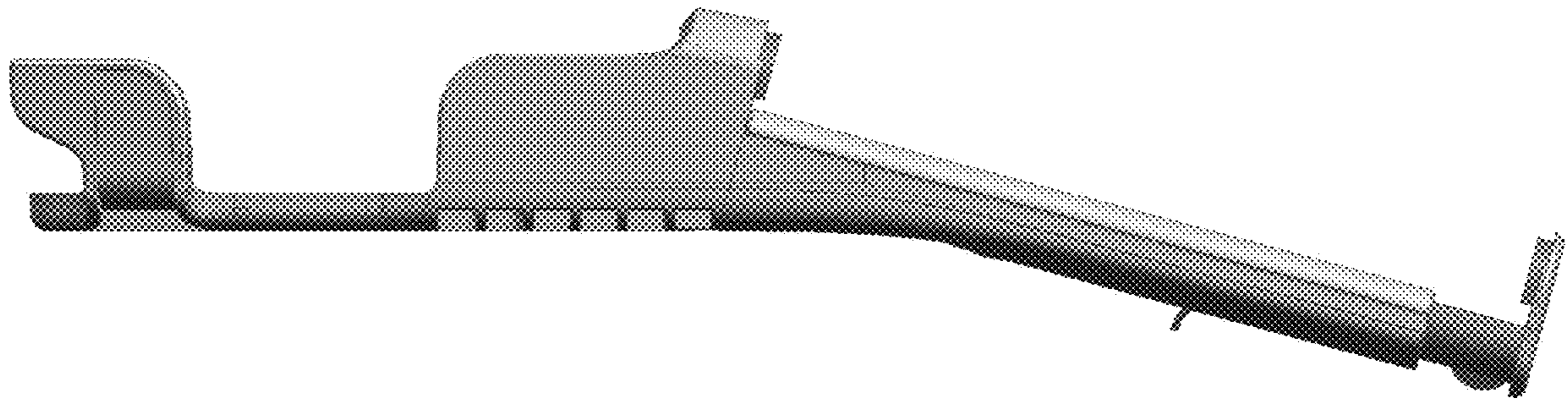
1.12



1.13

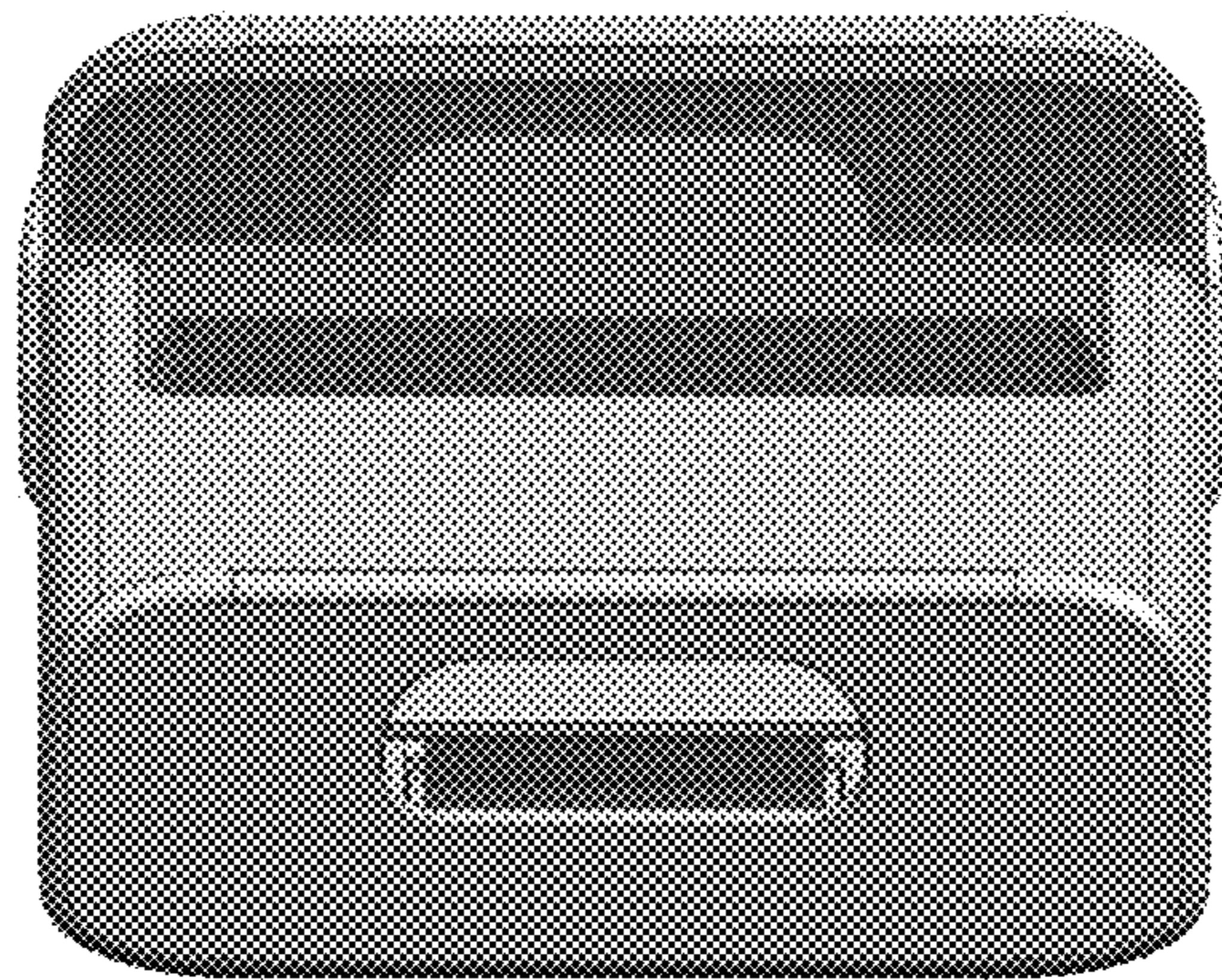


1.14





1.15



1.16

