



US00D950543S

(12) **United States Design Patent**
Zhang et al.

(10) **Patent No.:** **US D950,543 S**

(45) **Date of Patent:** **** May 3, 2022**

(54) **DASHBOARD BRACKET**

(71) Applicant: **Ugreen Group Limited**, Shenzhen (CN)

(72) Inventors: **Qingsen Zhang**, Shenzhen (CN);
Junling Chen, Shenzhen (CN); **Yunkai Wang**, Shenzhen (CN)

(**) Term: **15 Years**

(21) Appl. No.: **29/745,799**

(22) Filed: **Aug. 10, 2020**

(51) **LOC (13) Cl.** **14-99**

(52) **U.S. Cl.**
USPC **D14/253**; D12/415

(58) **Field of Classification Search**
USPC D14/251–253, 224, 224.1, 432–434, 447,
D14/451, 452; D12/415, 426.1, 223, 406,
D12/407, 114; D16/242, 244, 245;
D3/218; D13/108

CPC B60R 11/00; B60R 11/02; B60R 11/0241;
B60R 11/0252; B60R 2011/0003; B60R
2011/0005; B60R 2011/0008; H04M
1/04; F16M 11/00; F16M 11/04; F16M
11/041; F16M 11/06; H05K 5/0204

See application file for complete search history.

(56) **References Cited**

U.S. PATENT DOCUMENTS

D646,315 S *	10/2011	Orf	D14/263
D671,950 S *	12/2012	Richter	D14/447
D692,436 S *	10/2013	Hung	D14/447
D696,241 S *	12/2013	Paugh	H04B 1/385
				D14/253
D834,583 S *	11/2018	Janzen	D14/447

D837,798 S *	1/2019	Janzen	D14/447
D873,272 S *	1/2020	Dang	D14/447
10,620,667 B2 *	4/2020	Janzen	A47B 23/04
D894,829 S *	9/2020	Zhang	D13/108
D909,362 S *	2/2021	Cheng	D14/253
D927,495 S *	8/2021	Kelsch	D14/447
D931,185 S *	9/2021	Zhang	D12/415
D943,569 S *	2/2022	Zhang	D12/415
2011/0019992 A1 *	1/2011	Orf	F16M 11/041
				396/419
2012/0025036 A1 *	2/2012	Huang	F16M 11/041
				248/122.1
2017/0188724 A1 *	7/2017	Lin	F16M 13/00

* cited by examiner

Primary Examiner — Rebekah A Caruso

(57) **CLAIM**

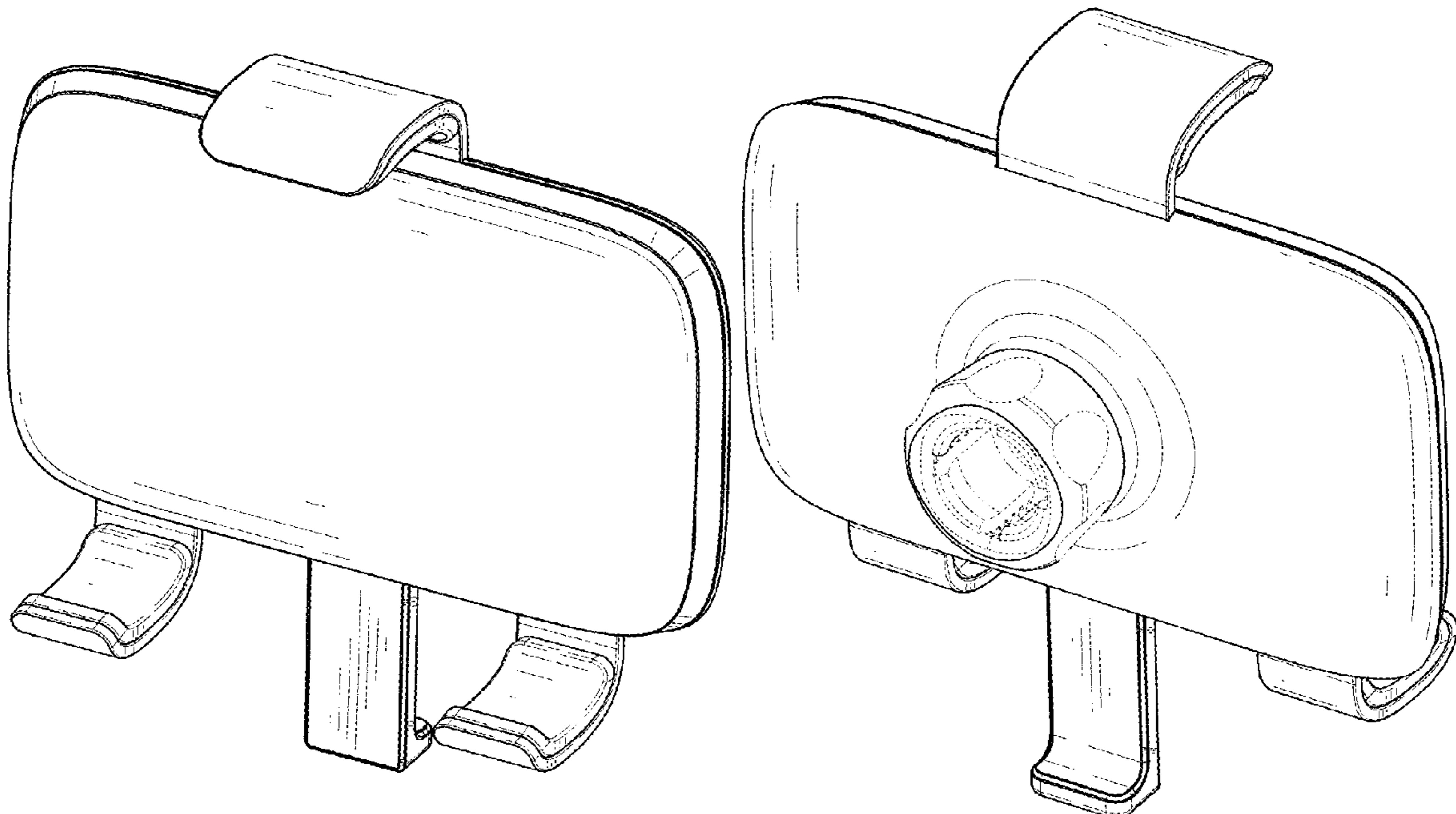
The ornamental design for a dashboard bracket, as shown and described.

DESCRIPTION

FIG. 1 is a first perspective view of a dashboard bracket showing my new design;
FIG. 2 is a second perspective view thereof;
FIG. 3 is a front view thereof;
FIG. 4 is a back view thereof;
FIG. 5 is a left side view thereof;
FIG. 6 is a right side view thereof;
FIG. 7 is a top view thereof; and,
FIG. 8 is a bottom view thereof.

The broken lines shown in the drawings depict portions of the dashboard bracket in which the design is embodied that form no part of the claimed design.

1 Claim, 8 Drawing Sheets



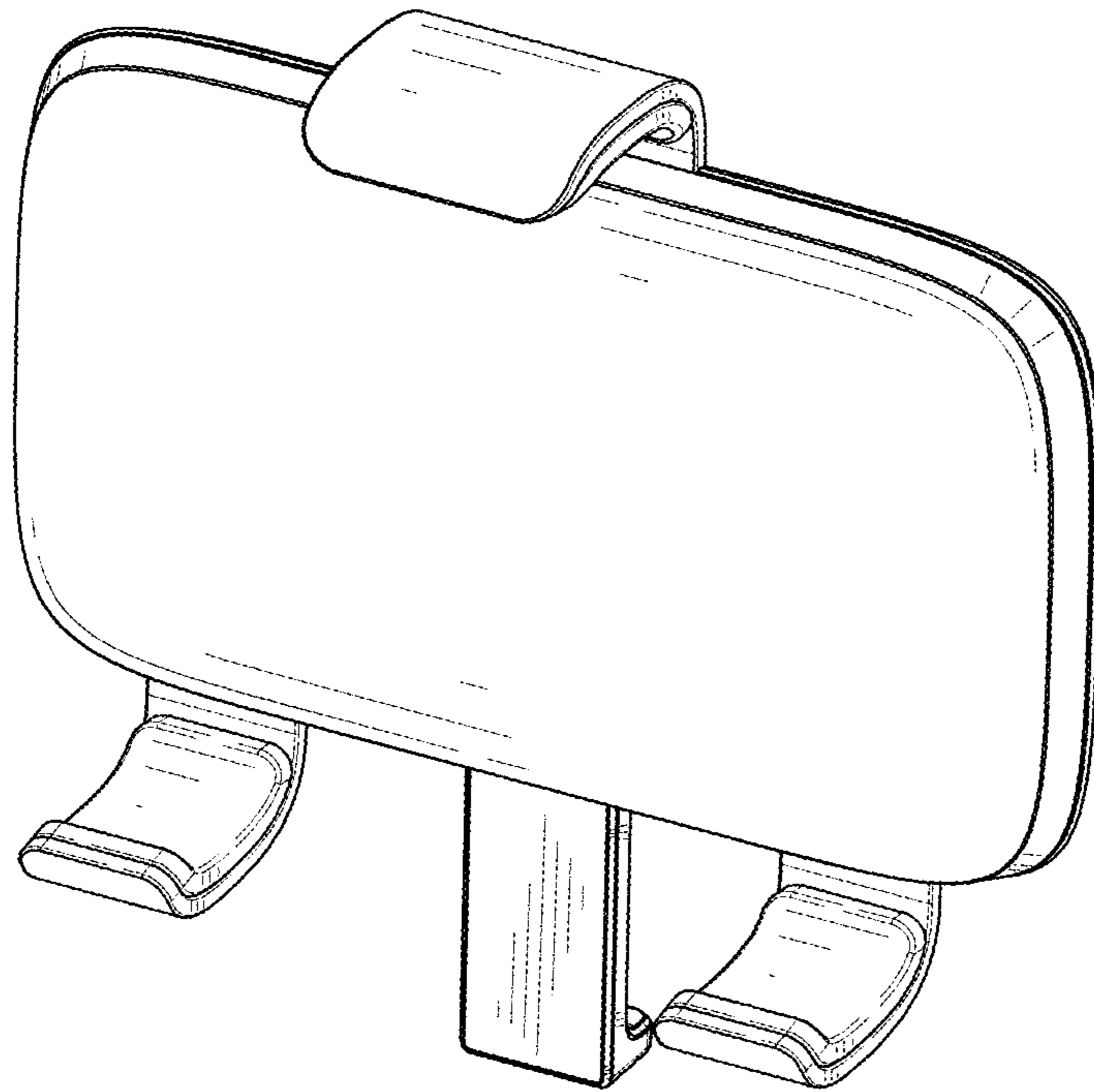


FIG. 1

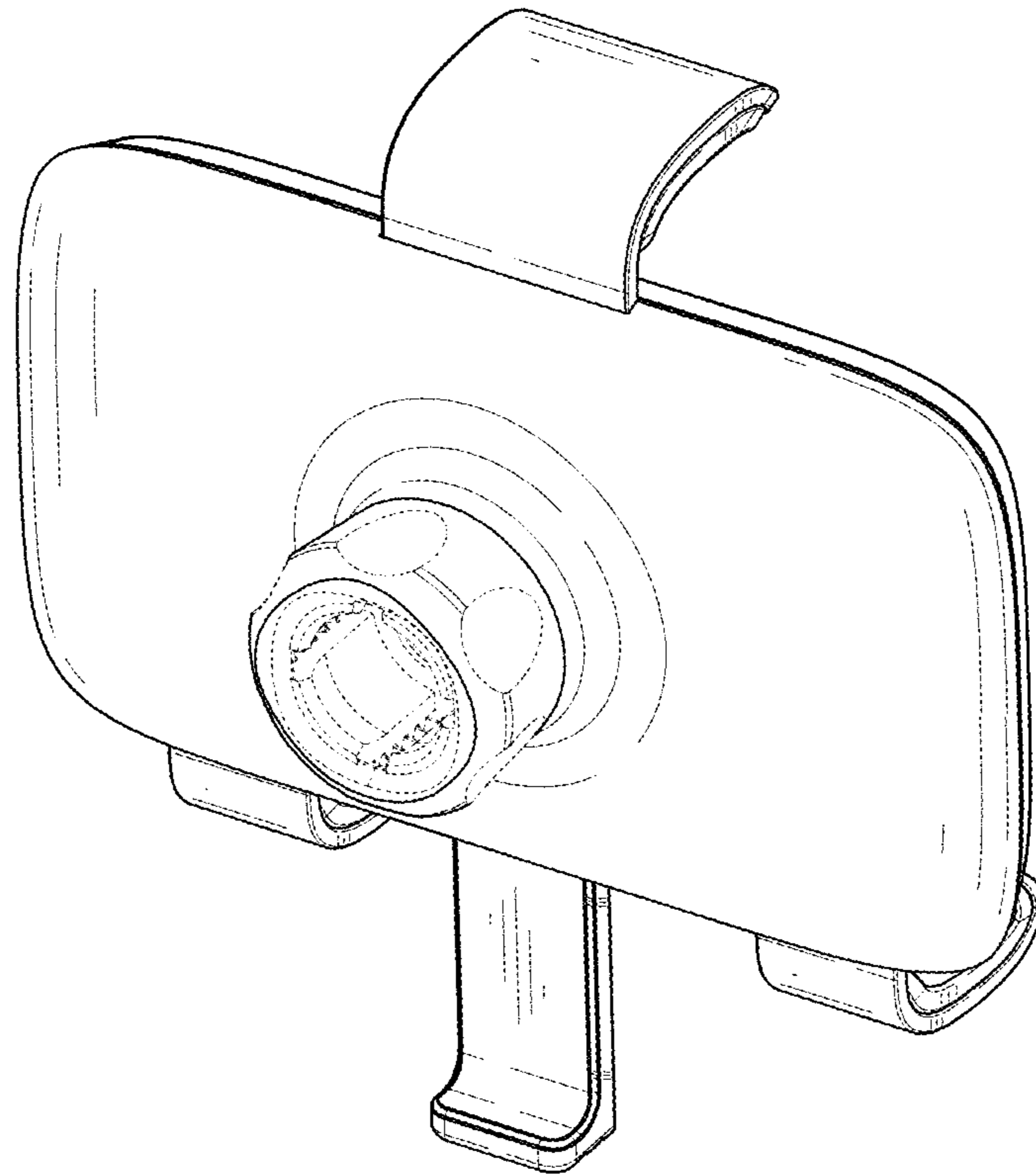


FIG. 2

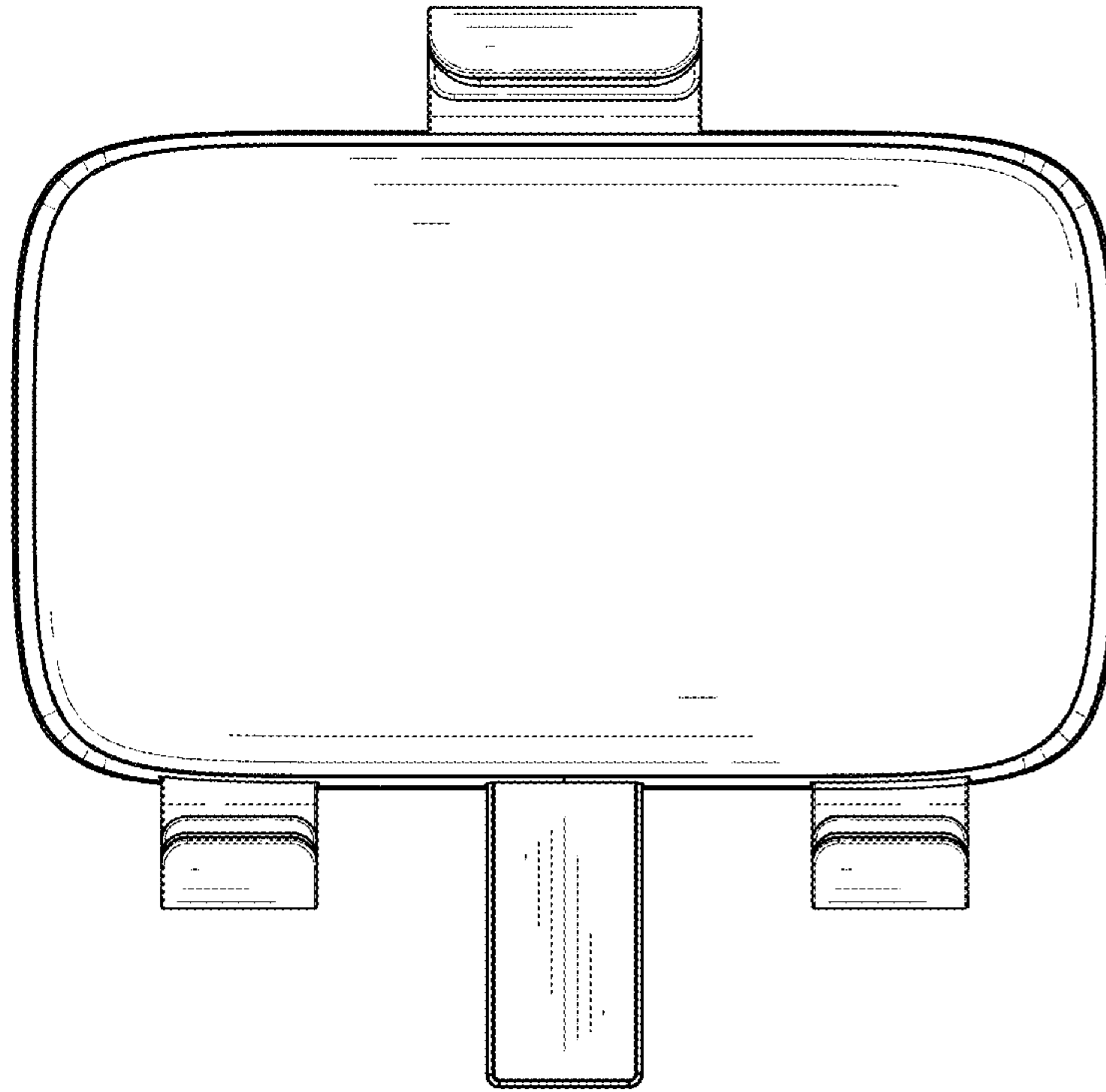


FIG. 3

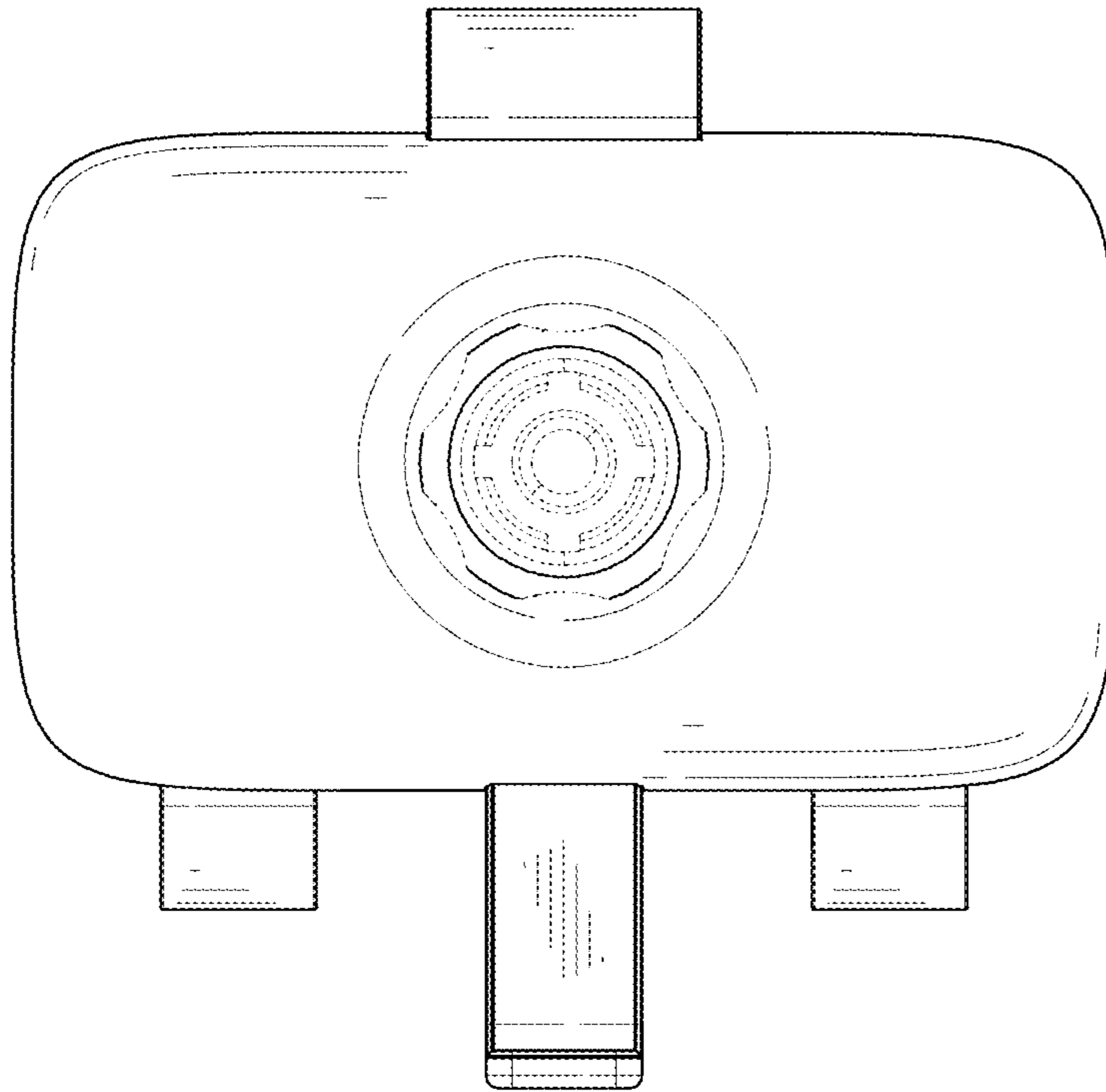


FIG. 4

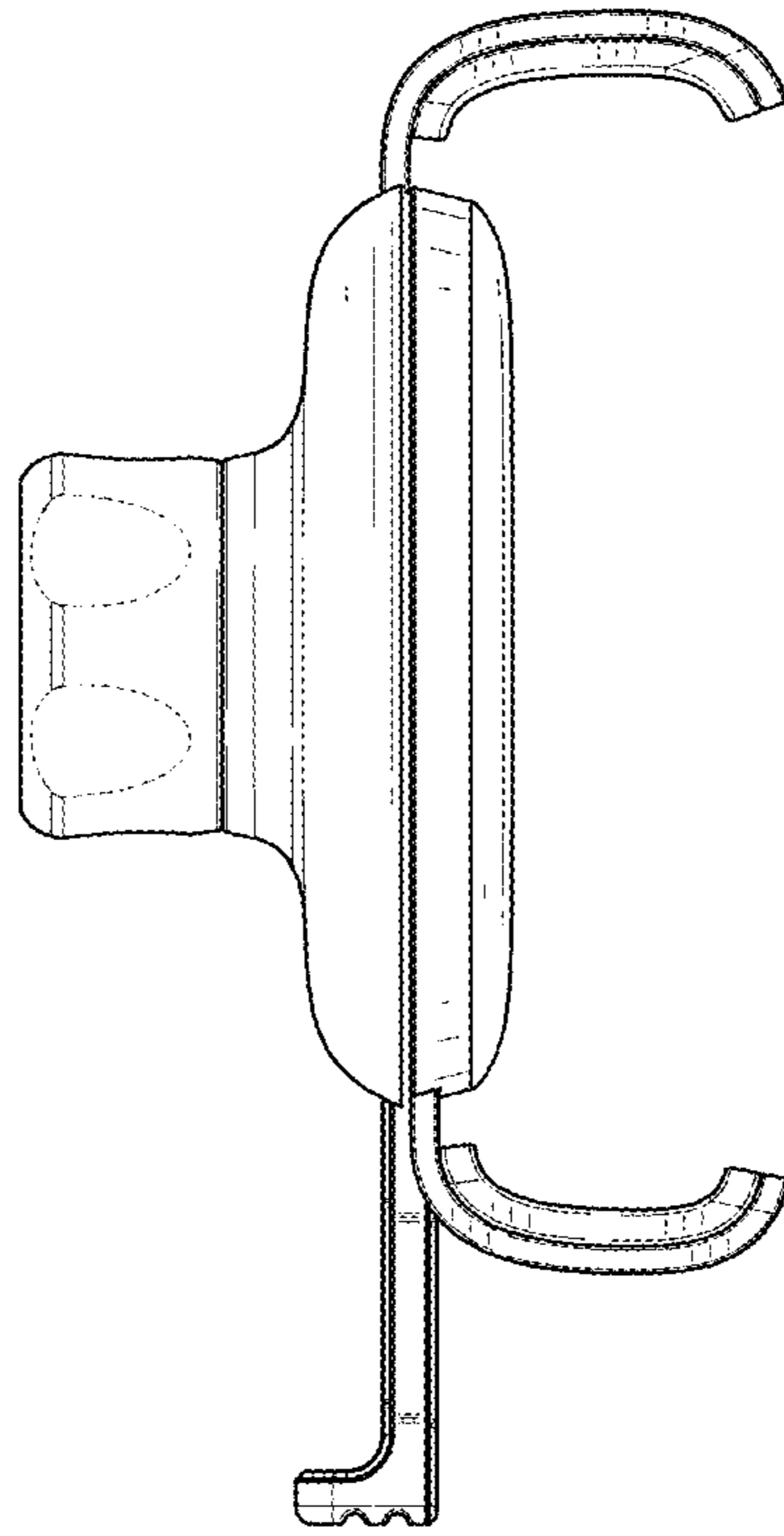


FIG. 5

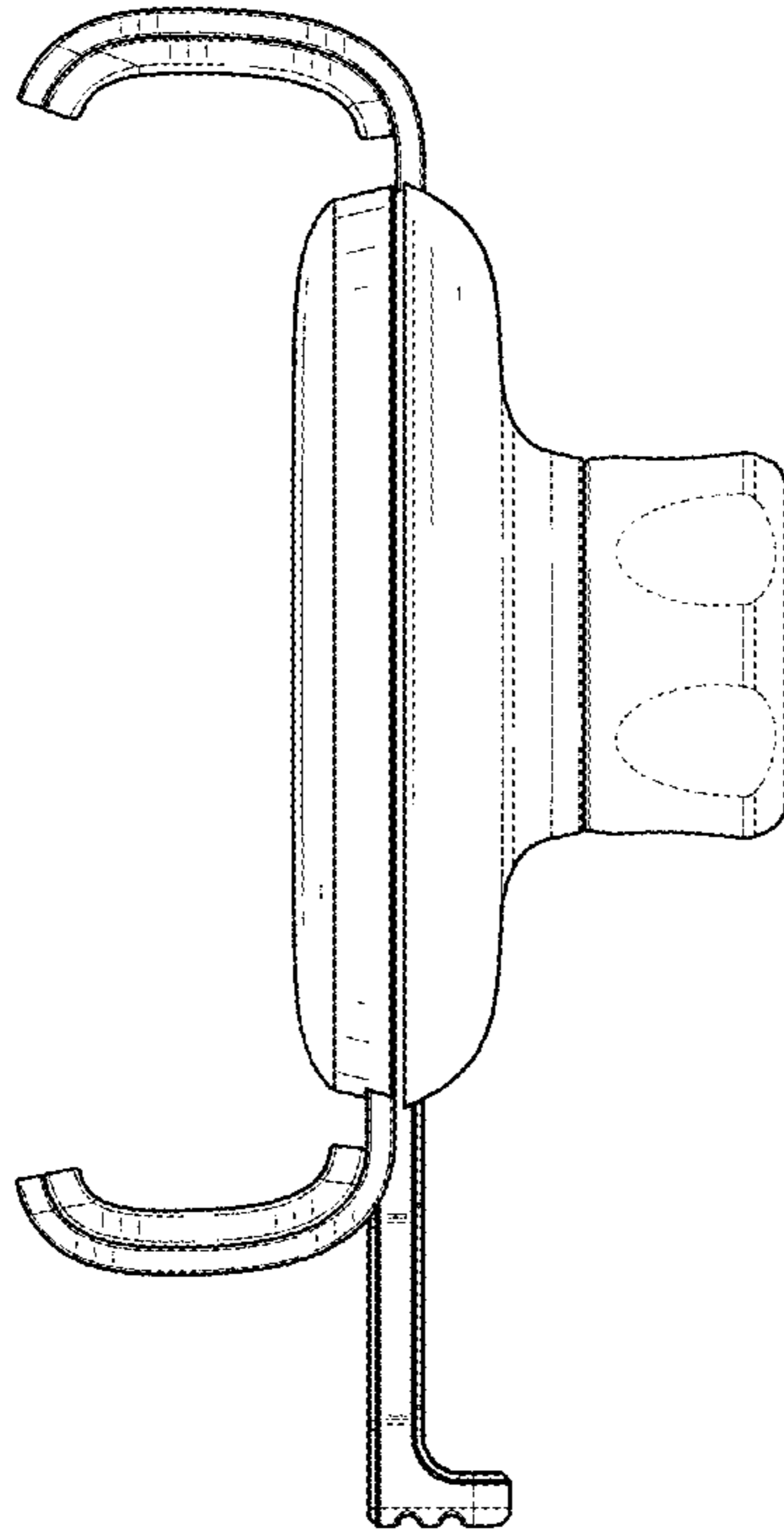


FIG. 6

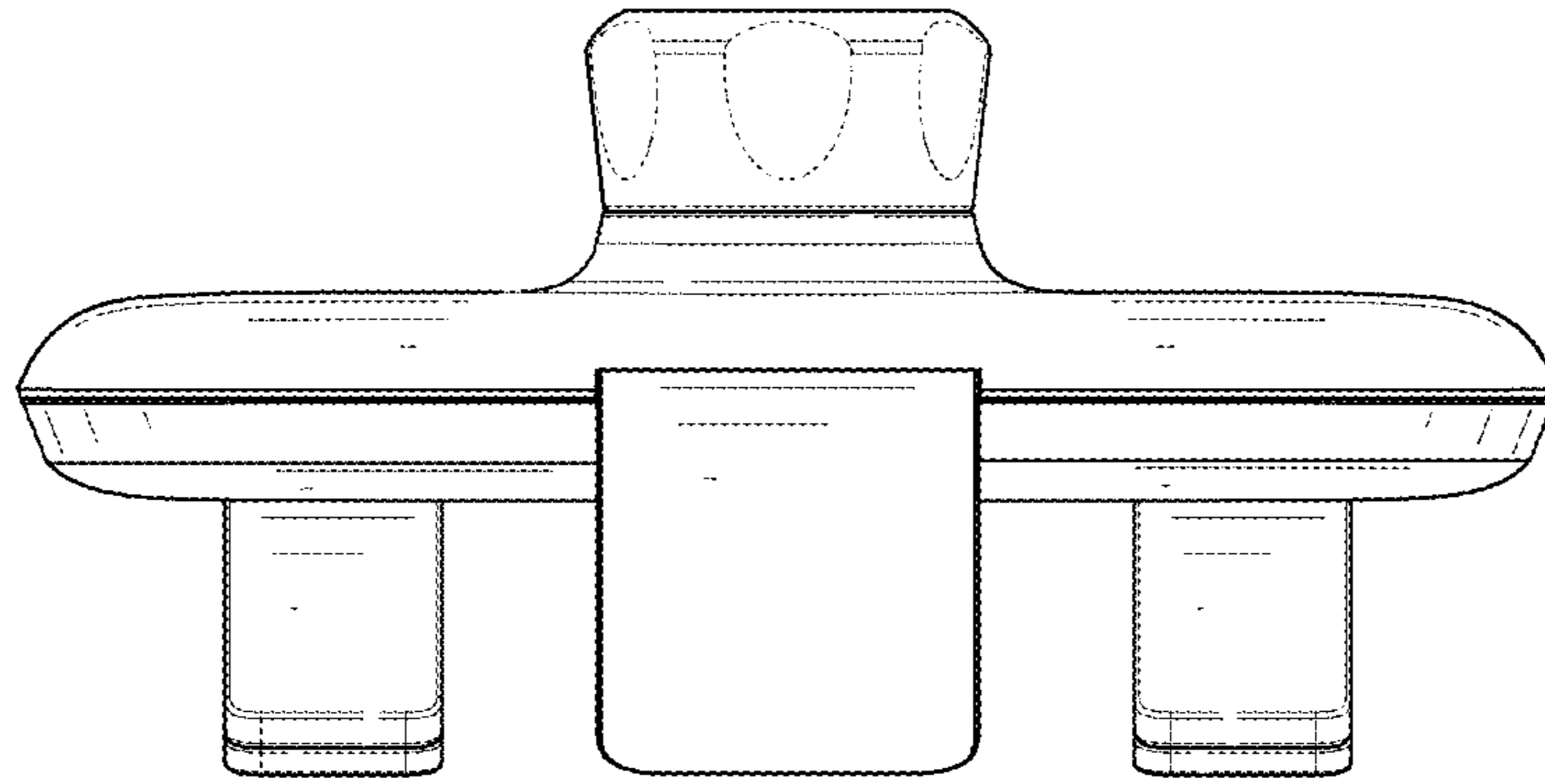


FIG. 7

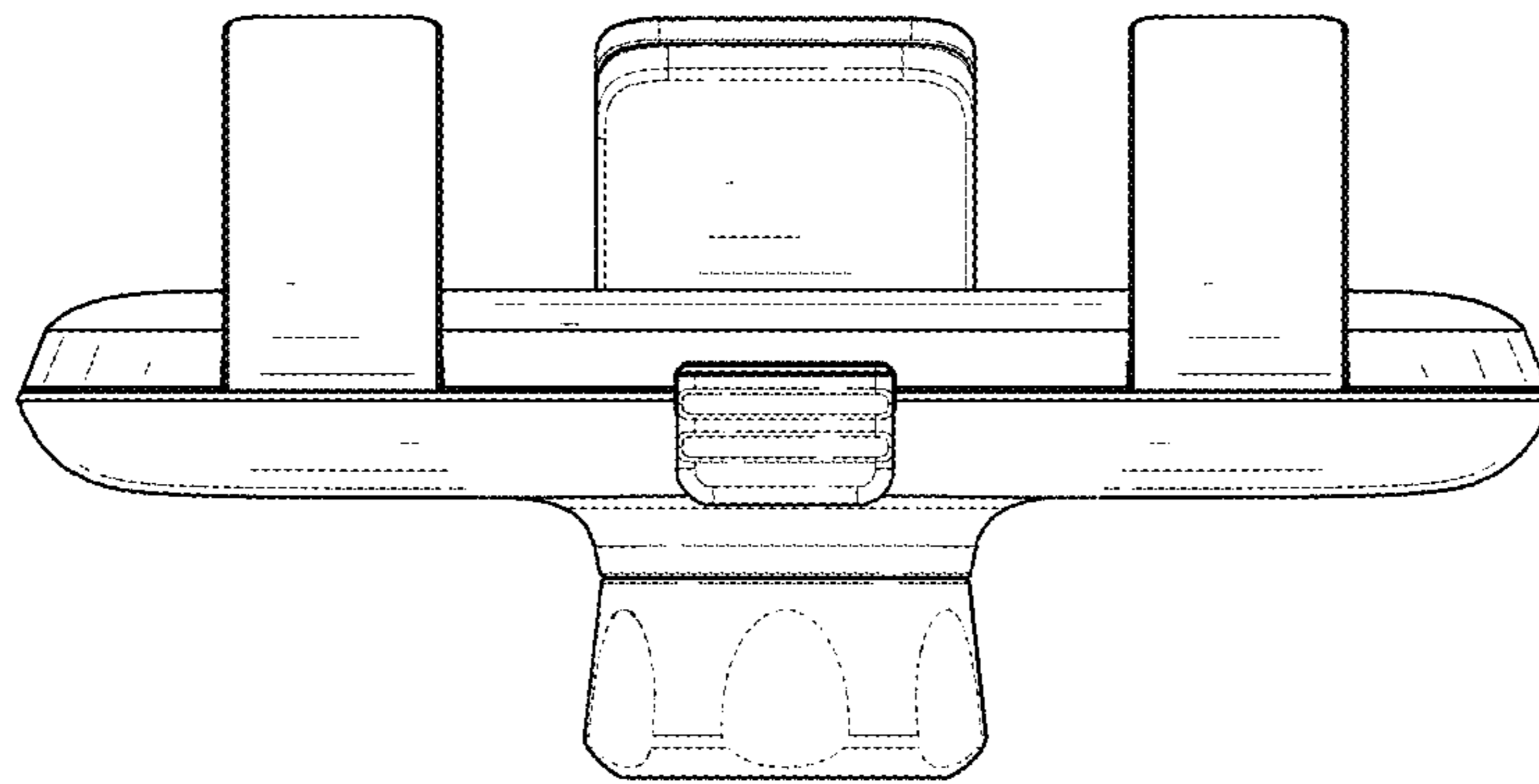


FIG. 8