



US00D950542S

(12) **United States Design Patent** (10) **Patent No.:** **US D950,542 S**
Du (45) **Date of Patent:** **** May 3, 2022**

(54) **BASE FOR A MOBILE PHONE BRACKET**

(71) Applicant: **Dongguan Wiiki-Tech Electronic Co., Ltd.**, Guangdong (CN)

(72) Inventor: **Pengcheng Du**, Guangdong (CN)

(**) Term: **15 Years**

(21) Appl. No.: **29/743,762**

(22) Filed: **Jul. 24, 2020**

(30) **Foreign Application Priority Data**

Mar. 30, 2020 (CN) 202030115725.1

(51) **LOC (13) Cl.** **14-99**

(52) **U.S. Cl.**
USPC **D14/253**

(58) **Field of Classification Search**
USPC D14/251–253, 224, 224.1, 432–434, 447, D14/451, 452; D12/415, 426.1, 223, 406, D12/407; D16/242, 244, 245; D3/218; D13/108

CPC B60R 11/00; B60R 11/02; B60R 11/0241; B60R 11/0252; B60R 2011/0003; B60R 2011/0005; B60R 2011/0008; H04M 1/04; F16M 11/00; F16M 11/04; F16M 11/041; F16M 11/06

See application file for complete search history.

(56) **References Cited**

U.S. PATENT DOCUMENTS

D690,306 S * 9/2013 Malisse D14/447
D714,775 S * 10/2014 Yoo D14/253
D737,606 S * 9/2015 King D6/682
D739,456 S * 9/2015 Poli D16/244

D835,705 S * 12/2018 Chun D16/244
10,247,353 B1 * 4/2019 Chen F16B 2/12
D852,875 S * 7/2019 Chun D16/244
D872,166 S * 1/2020 Chun D16/244
D907,028 S * 1/2021 Shen D14/253
D907,029 S * 1/2021 Khubani D14/253
D912,680 S * 3/2021 Zheng D14/447
D918,286 S * 5/2021 Lin D16/244
D934,231 S * 10/2021 Liao D14/253
2004/0264115 A1 * 12/2004 Greenidge B60R 11/02
361/679.56
2016/0318455 A1 * 11/2016 Zhang F16M 11/2007
2017/0350552 A1 * 12/2017 James A47C 3/30
2020/0290522 A1 * 9/2020 Iverson H04B 1/3888

* cited by examiner

Primary Examiner — Rebekah A Caruso

(74) *Attorney, Agent, or Firm* — Prakash Nama; Global IP Services, PLLC

(57) **CLAIM**

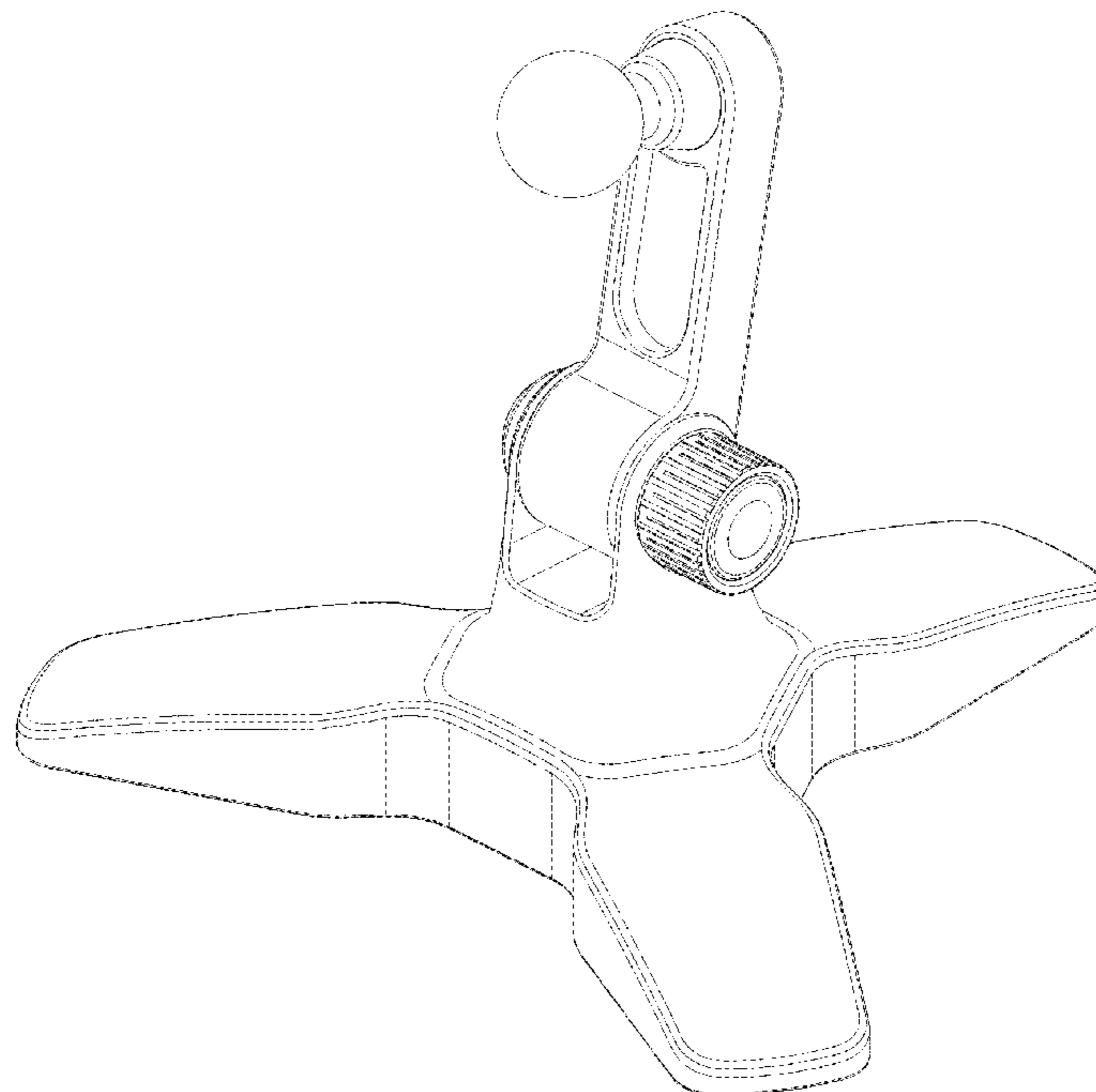
The ornamental design for a base for a mobile phone bracket, as shown and described.

DESCRIPTION

FIG. 1 is a front elevational view of a base for a mobile phone bracket showing my new design; FIG. 2 is a rear elevational view thereof; FIG. 3 is a left side view thereof; FIG. 4 is a right side view thereof; FIG. 5 is a top plan view thereof; FIG. 6 is a bottom plan view thereof; FIG. 7 is a perspective view thereof; and, FIG. 8 is another perspective view thereof.

The broken lines show portions of the base for a mobile phone bracket that form no part of the claimed design.

1 Claim, 8 Drawing Sheets



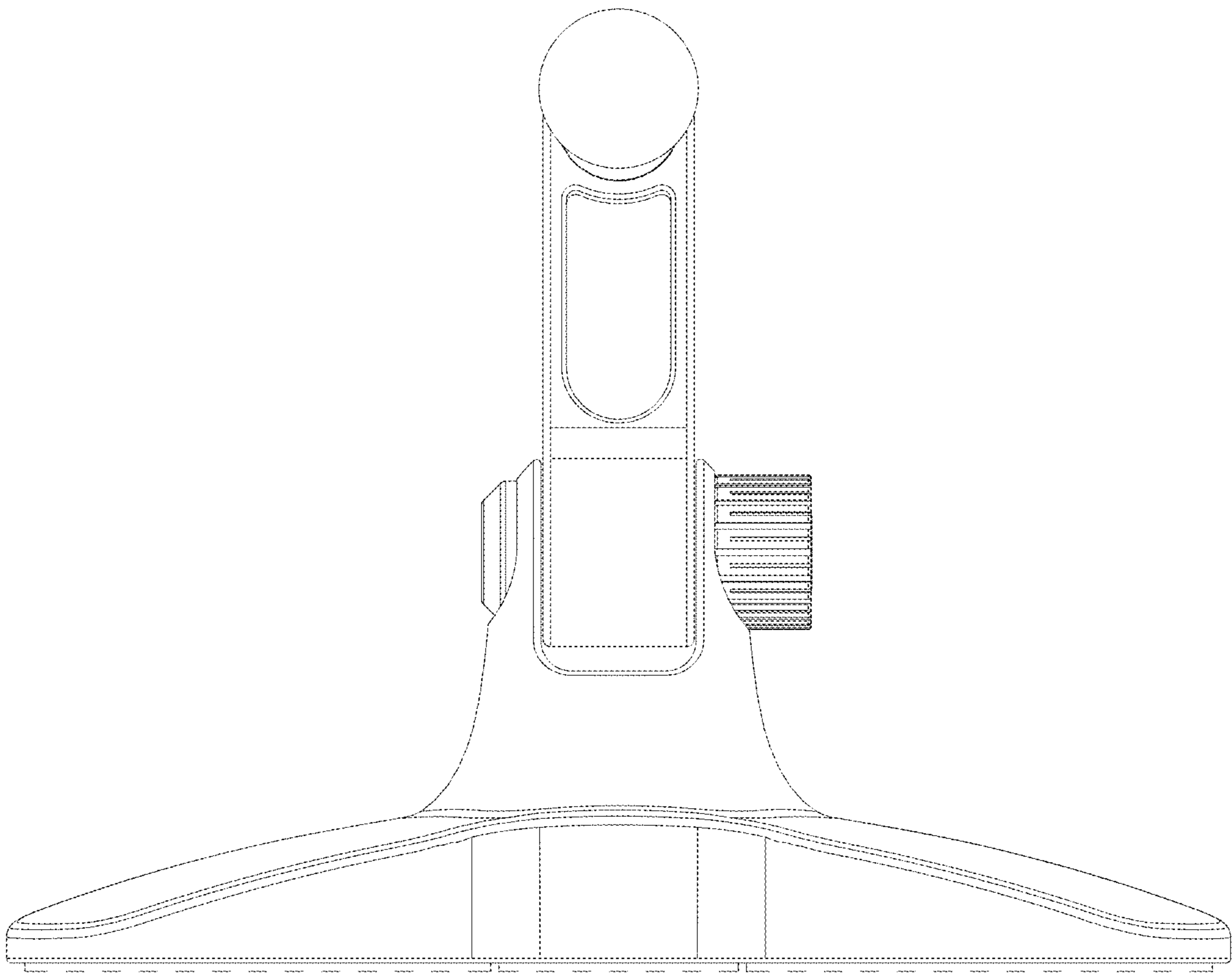


FIG. 1

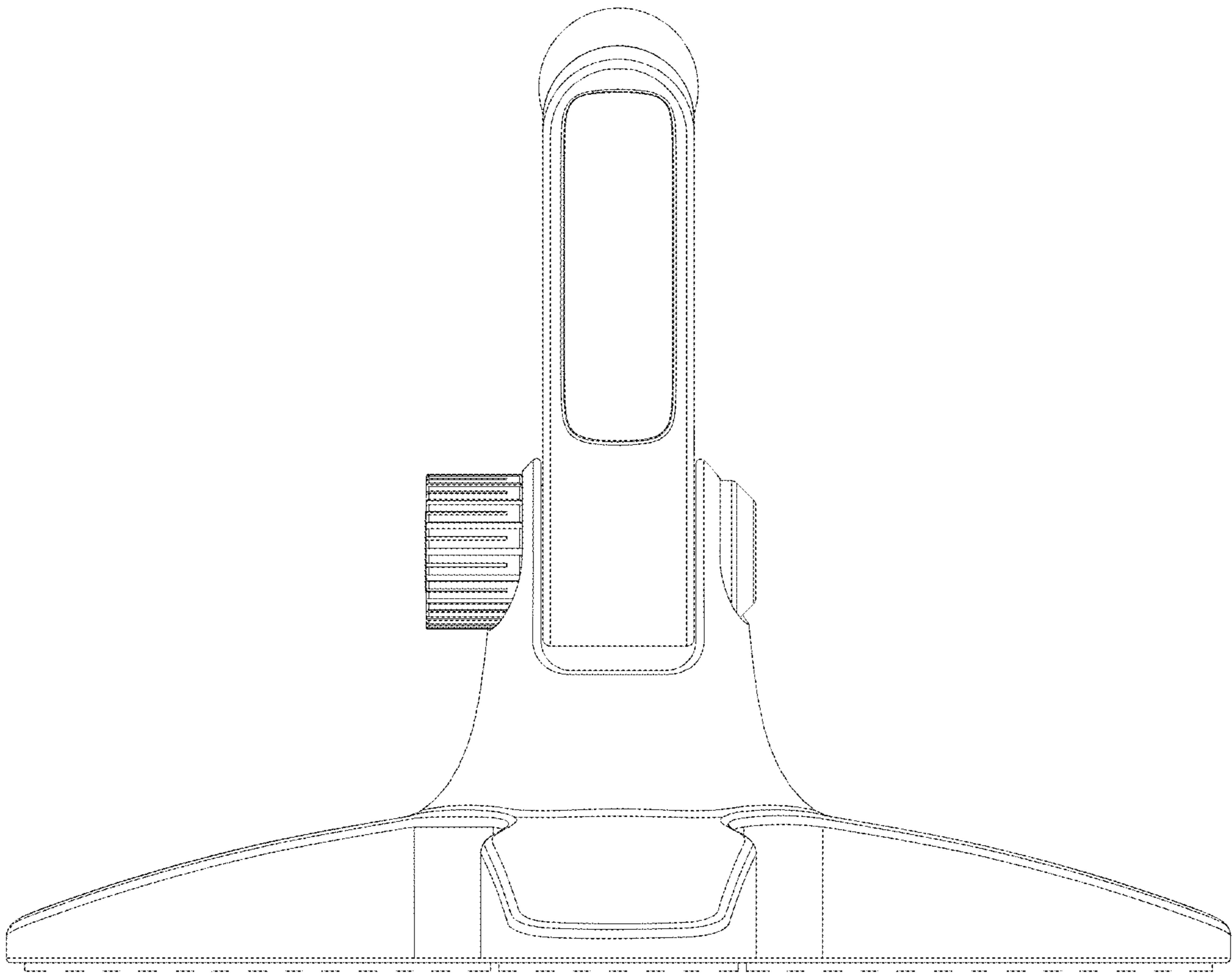


FIG. 2

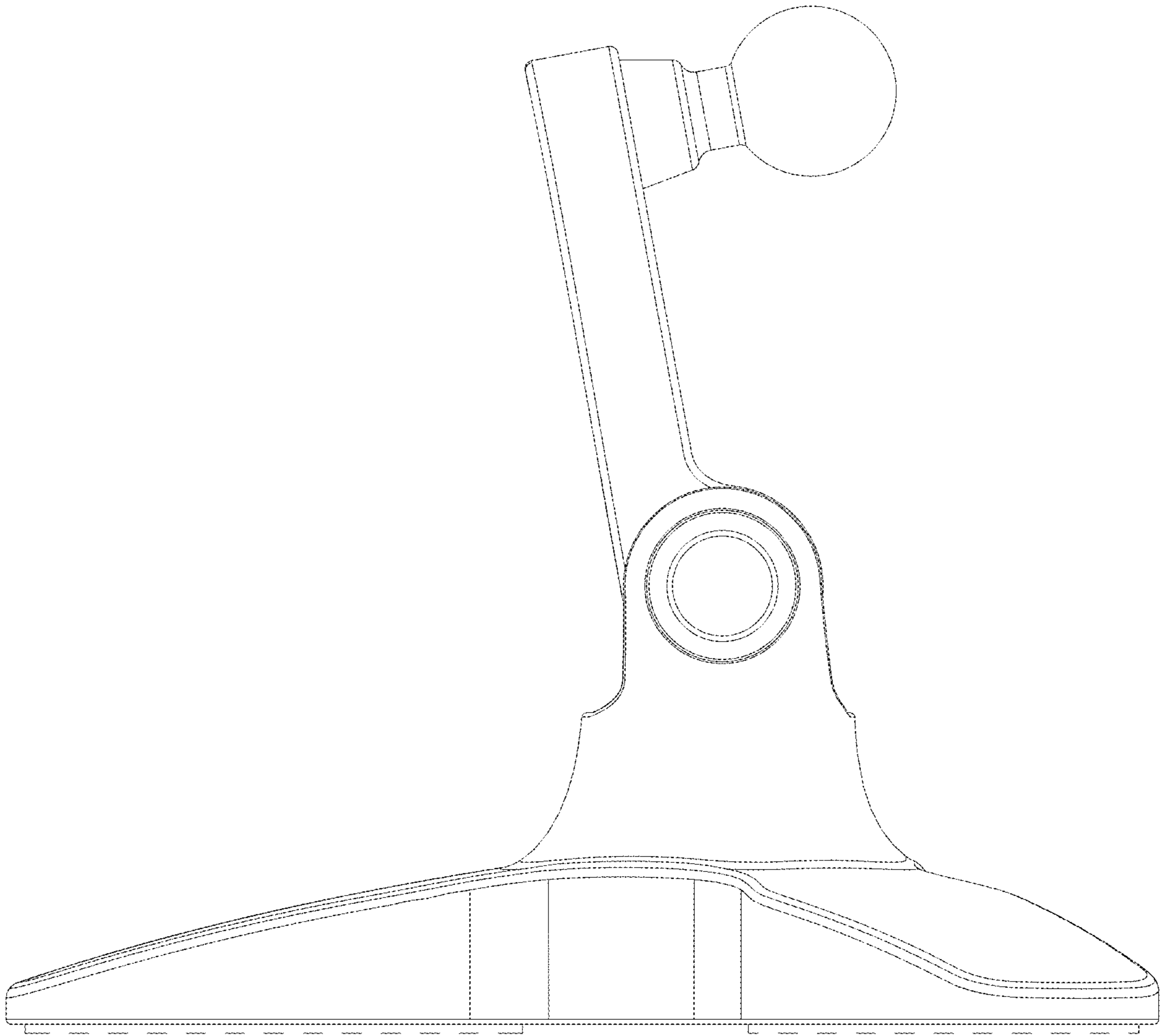


FIG. 3

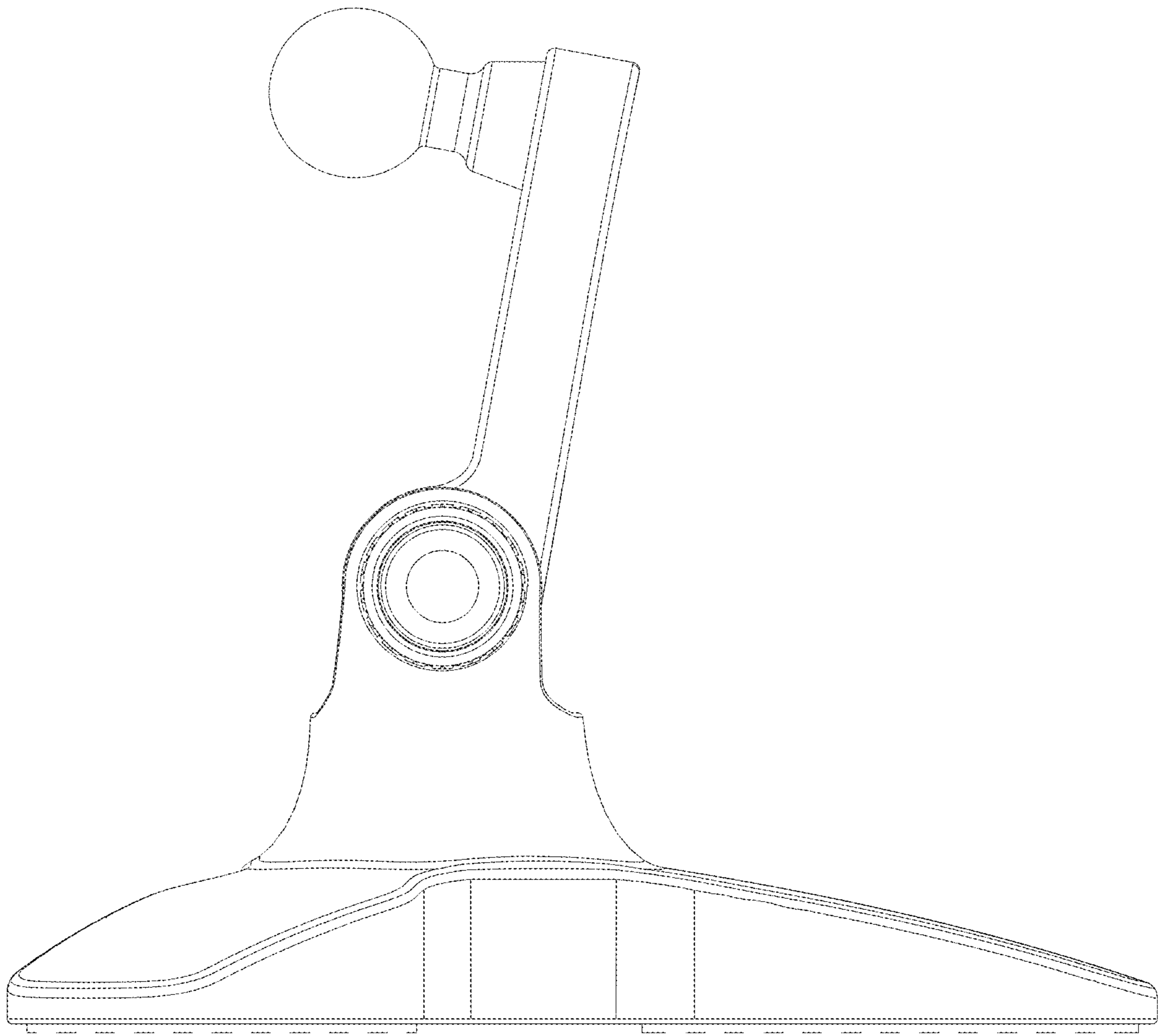


FIG. 4

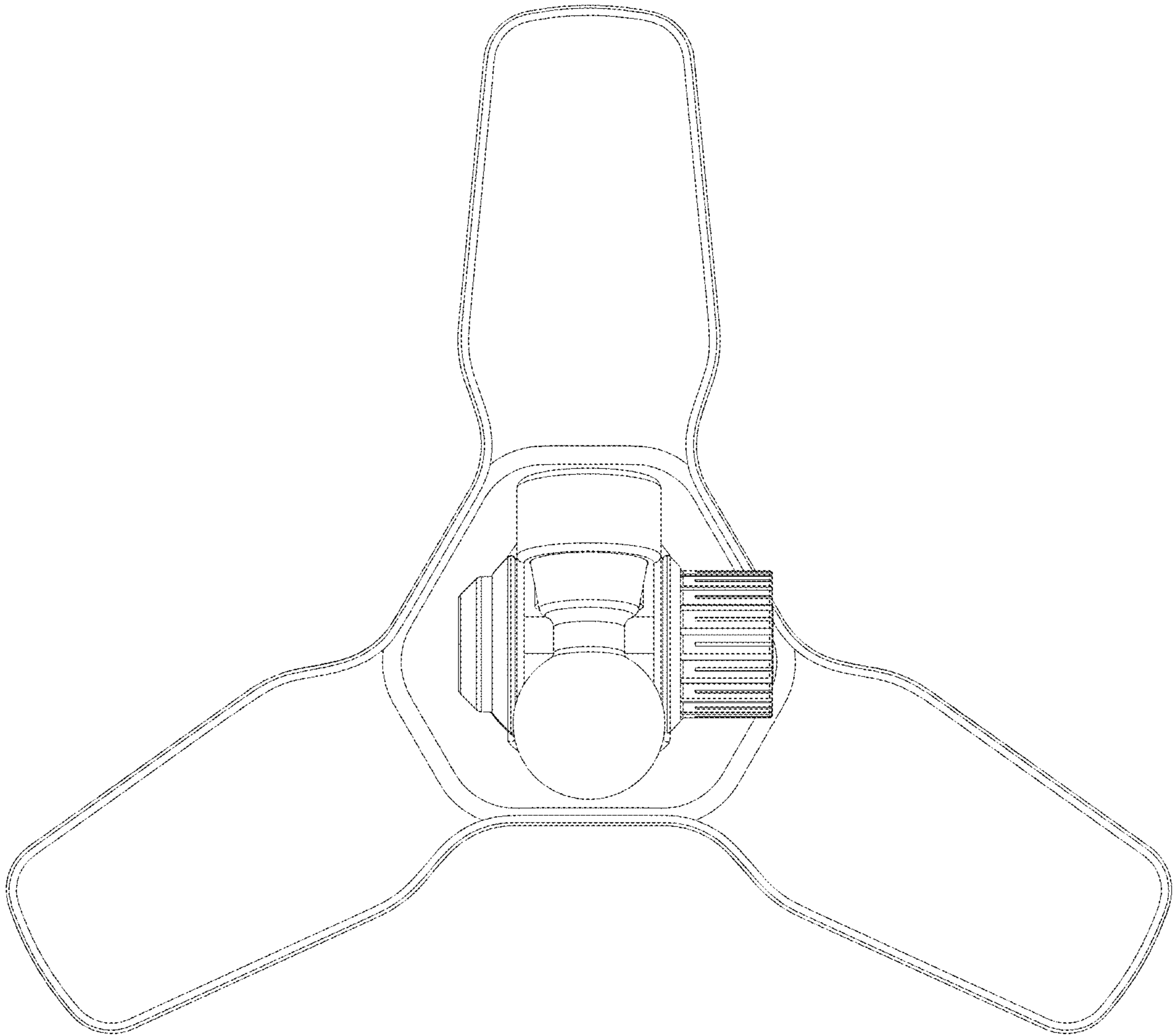


FIG. 5

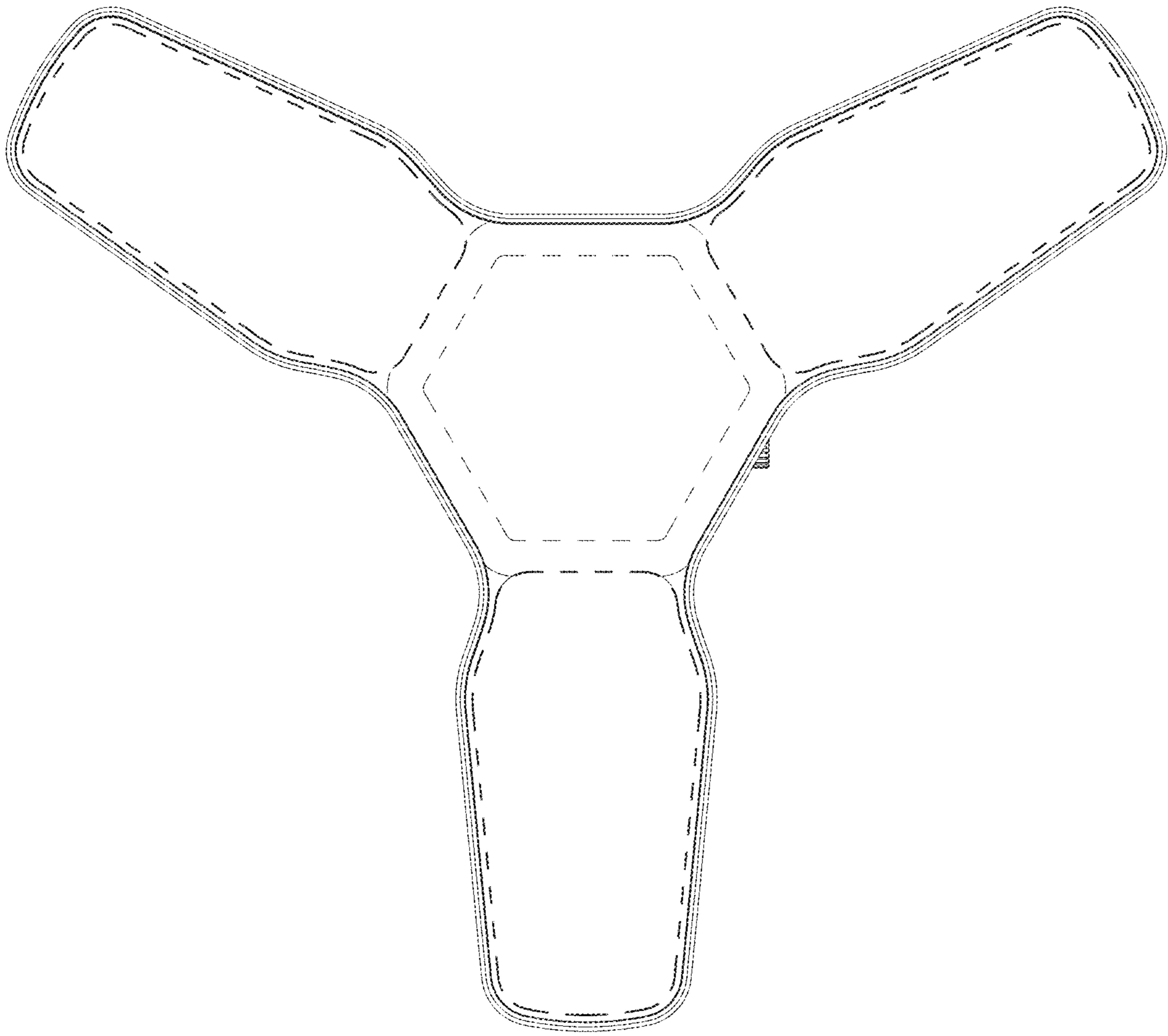


FIG. 6

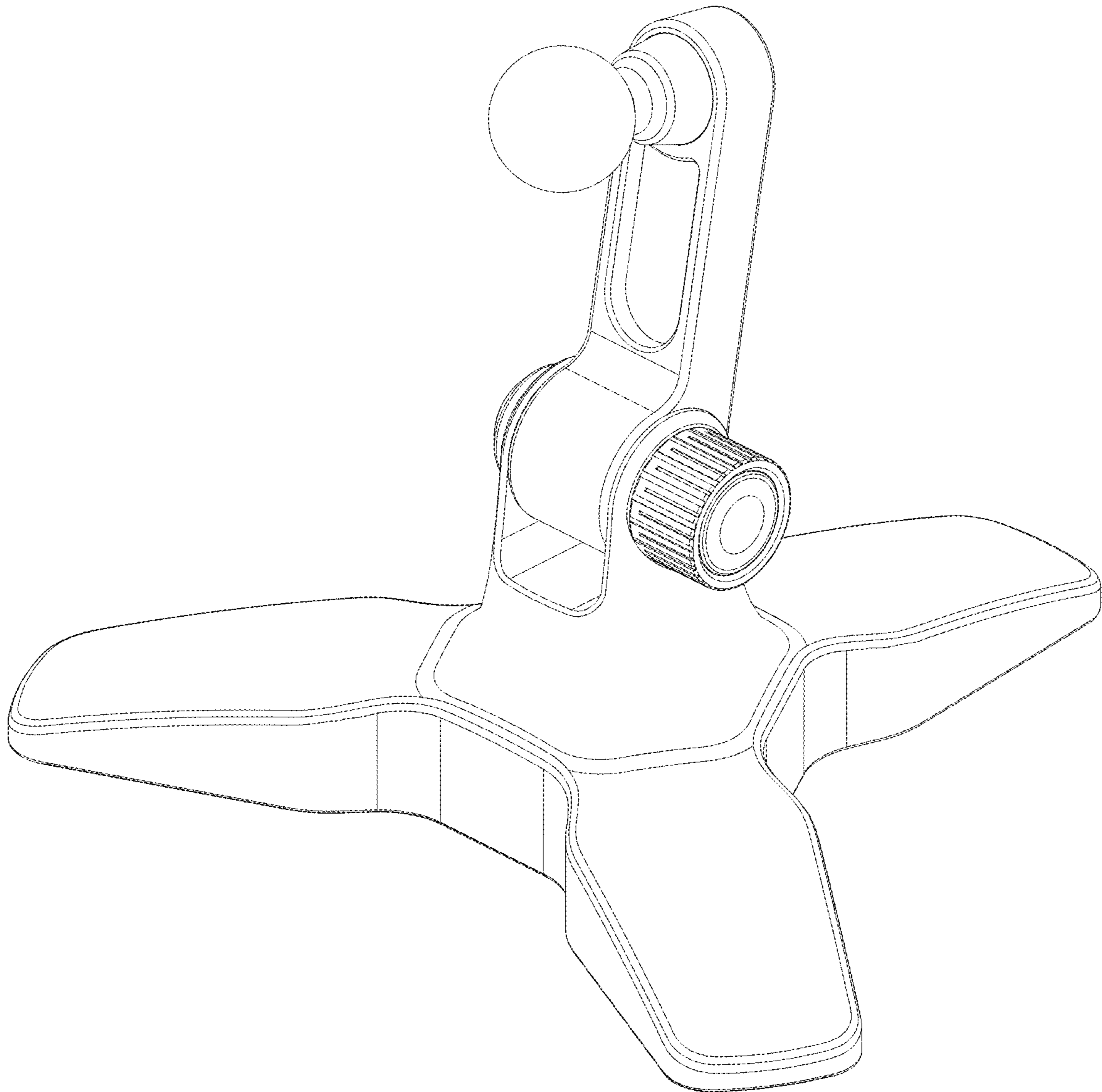


FIG. 7

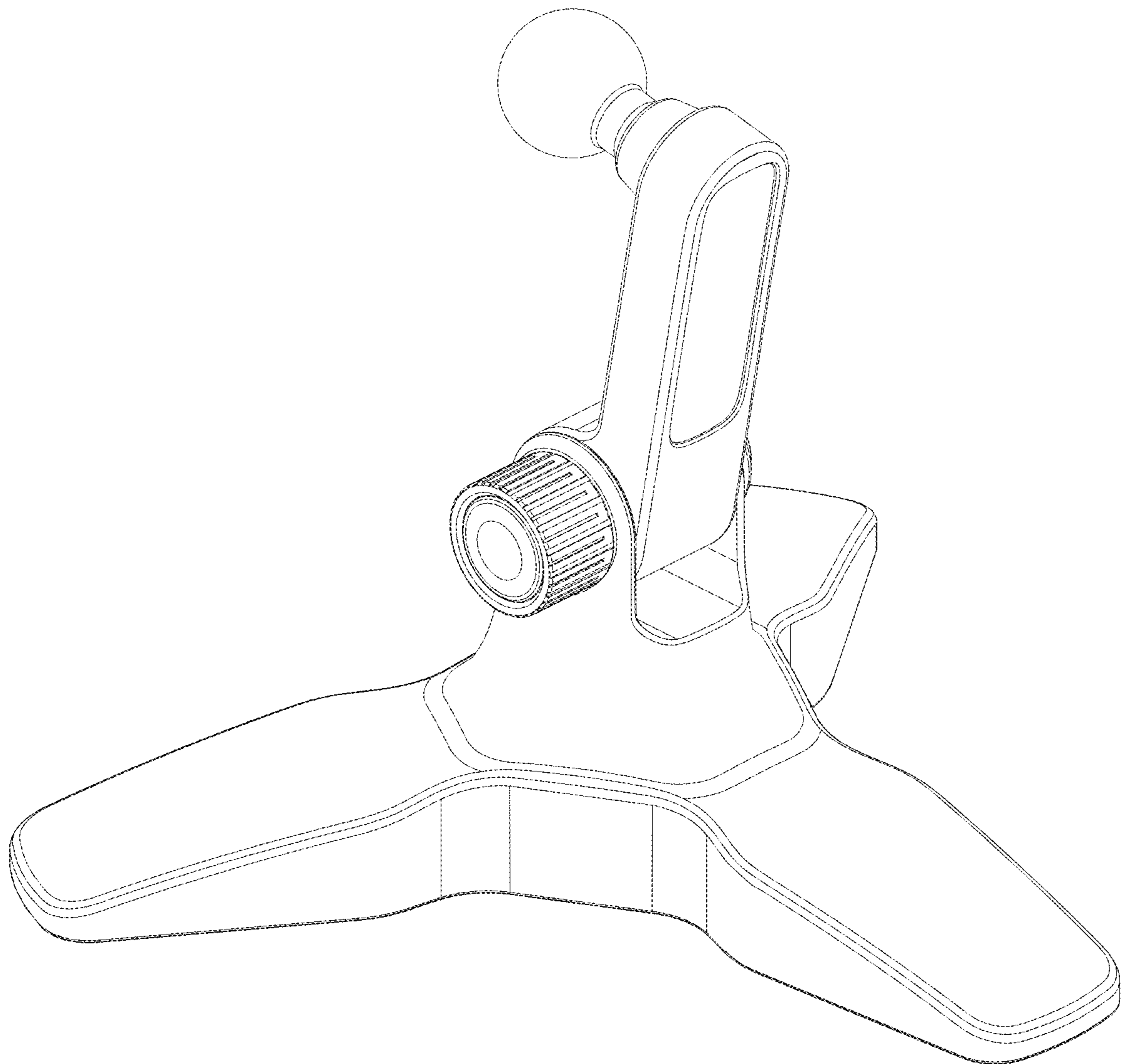


FIG. 8