



US00D950540S

(12) **United States Design Patent** (10) **Patent No.:** **US D950,540 S**
Yeo (45) **Date of Patent:** **** May 3, 2022**

(54) **PORTABLE DEVICE HOLDER**

(71) Applicant: **Changki Yeo**, Incheon (KR)

(72) Inventor: **Changki Yeo**, Incheon (KR)

(**) Term: **15 Years**

(21) Appl. No.: **29/711,383**

(22) Filed: **Oct. 30, 2019**

(51) **LOC (13) Cl.** **14-03**

(52) **U.S. Cl.**
USPC **D14/253**; D3/218

(58) **Field of Classification Search**
USPC D14/251–253, 447, 452, 432–434, 440,
D14/439, 254, 217, 224, 224.1, 238.1,
D14/299, 451, 483, 250, 458;
D12/415–426, 426.1, 114, 223; D3/218,
D3/215, 201, 207, 208, 212, 247, 232;
D16/242, 245, 208, 206, 218, 219, 243,
D16/237; D8/349, 363, 306, 307, 352,
D8/401; D2/624, 625, 627, 635, 632,
D2/999; D7/620, 619.1, 602, 701;
D6/553, 512

CPC A45C 11/00; A45C 13/1069; A45F 5/00;
A45F 5/10; A45F 5/02; A45F 2200/0516;
A45F 2200/0525; A45F 2200/0533; A45F
2200/0508; A45F 2005/008; A47G
23/0216; B60R 11/00; B60R 11/02; B60R
11/0241; B60R 11/0252; B60R
2011/0005; B60R 2011/0008; F16B 2/06;
F16M 11/00; F16M 11/04; F16M 11/06;
F16M 11/2021; F16M 11/38; F16M
11/046; F16M 11/08; F16M 11/16; F16M
11/041; F16M 11/2014; F16M 11/2007;
F16M 13/00; F16C 11/045; G03B
17/561; G03B 17/563; H04M 1/02;
H04M 1/04; H04M 1/11; H04M 1/15;
H04M 1/026; H04M 1/0266; H04M
1/0281; H04M 1/0202; H04M 1/6041;
H04B 1/3877; H04B 1/3888; H04B
1/385; H01F

(Continued)

(56) **References Cited**

U.S. PATENT DOCUMENTS

D721,373 S * 1/2015 Logreau D14/432
D725,659 S * 3/2015 Tussy D14/440

(Continued)

Primary Examiner — Catherine R Oliver-Garcia

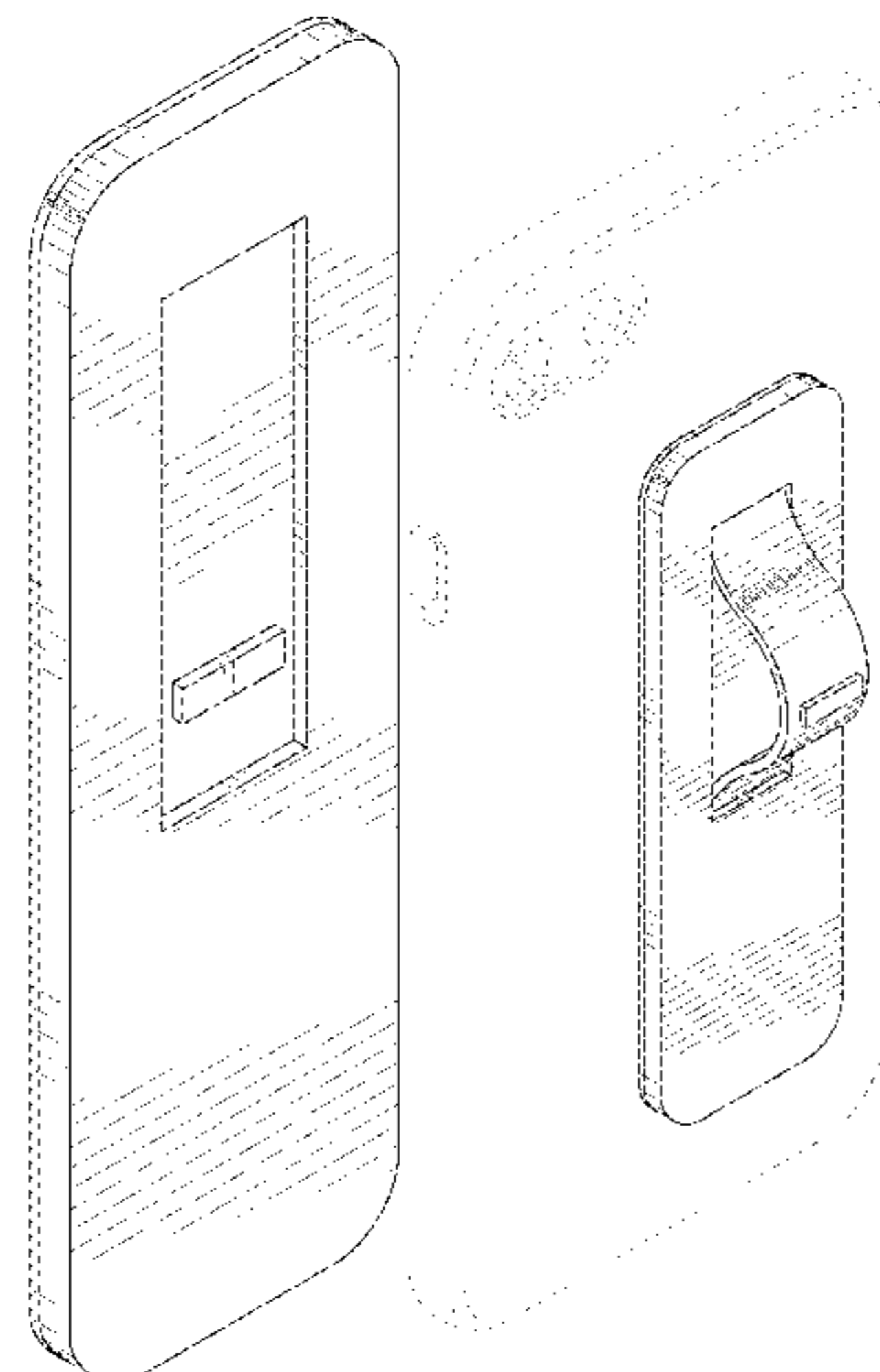
(57) **CLAIM**

The ornamental design for a portable device holder, as shown and described.

DESCRIPTION

FIG. 1 is a front perspective view of a portable device holder showing my new design;
FIG. 2 is a front elevation view thereof;
FIG. 3 is a rear elevation view thereof;
FIG. 4 is a left side elevation view thereof, the right side elevation view being a mirror image thereof;
FIG. 5 is a top plan view thereof, the bottom plan view being a mirror image thereof;
FIG. 6 is a front perspective view thereof, shown with the portable device holder in an extended position;
FIG. 7 is a front perspective view thereof; shown with the portable device holder in a retracted position and in a condition of use with a portable device disclosed in broken lines to illustrate an environment;
FIG. 8 is a front perspective view thereof, shown with the portable device holder in an extended position;
FIG. 9 is a front perspective view thereof; shown with a human hand disclosed in broken lines to illustrate an environment; and,
FIG. 10 is a top plan view thereof; shown with a substrate disclosed in broken lines to illustrate an environment.
The broken lines showing a portable device, a human hand and a substrate in FIGS. 7-10 represent environmental structure and form no part of the claimed design.

1 Claim, 10 Drawing Sheets



(58) **Field of Classification Search**

CPC .. 7/0252; H05K 5/0204; H04R 1/1033; E05D
3/02

See application file for complete search history.

(56) **References Cited**

U.S. PATENT DOCUMENTS

D794,007	S *	8/2017	Zhang	D14/250
D817,316	S *	5/2018	Srour	D14/251
10,610,004	B1 *	4/2020	Yeo	A45F 5/10
D894,167	S *	8/2020	Feller	D14/251
D894,889	S *	9/2020	Feller	D14/251
2010/0222118	A1 *	9/2010	Interdanato	A45F 5/00 455/575.6
2015/0011269	A1 *	1/2015	Liu	H04M 1/0202 455/575.1
2018/0234126	A1 *	8/2018	Yeo	A45F 5/00
2019/0055062	A1 *	2/2019	Winn	H04B 1/3888
2020/0028951	A1 *	1/2020	Hummel	H04B 1/3877
2020/0093231	A1 *	3/2020	Mora	A45C 13/1069

* cited by examiner

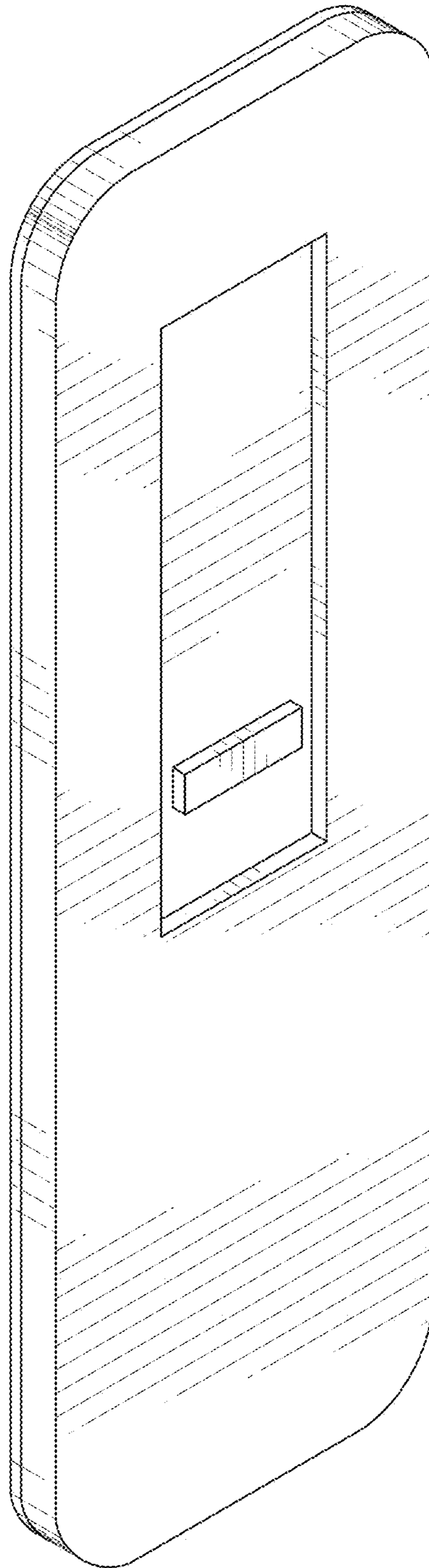


FIG. 1

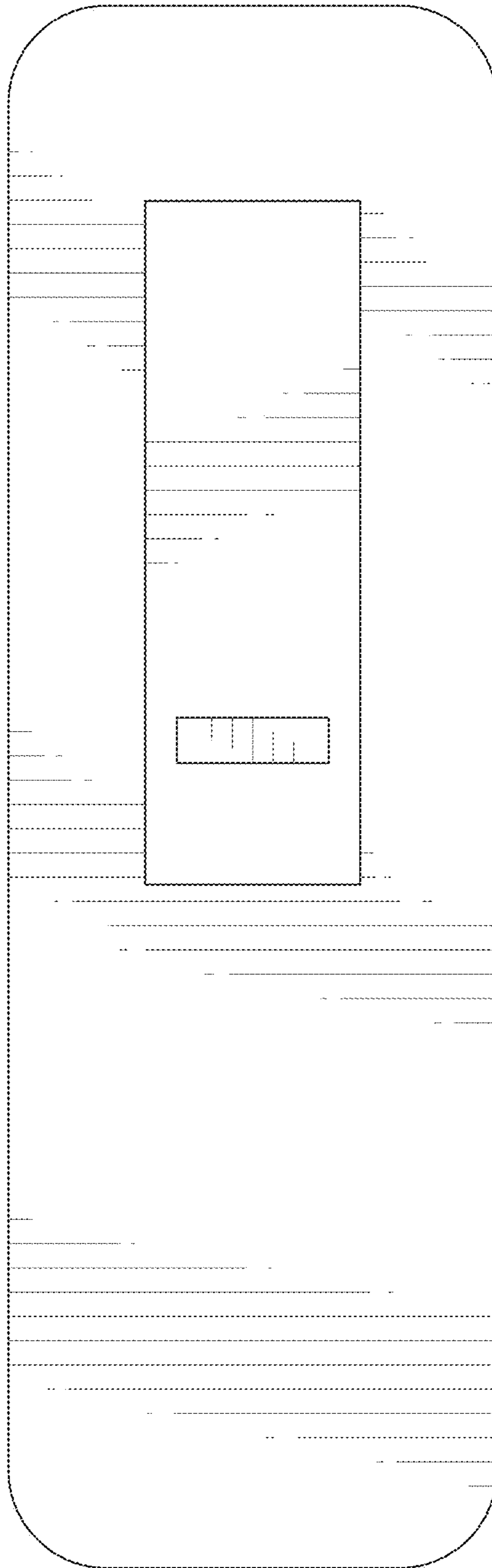


FIG. 2

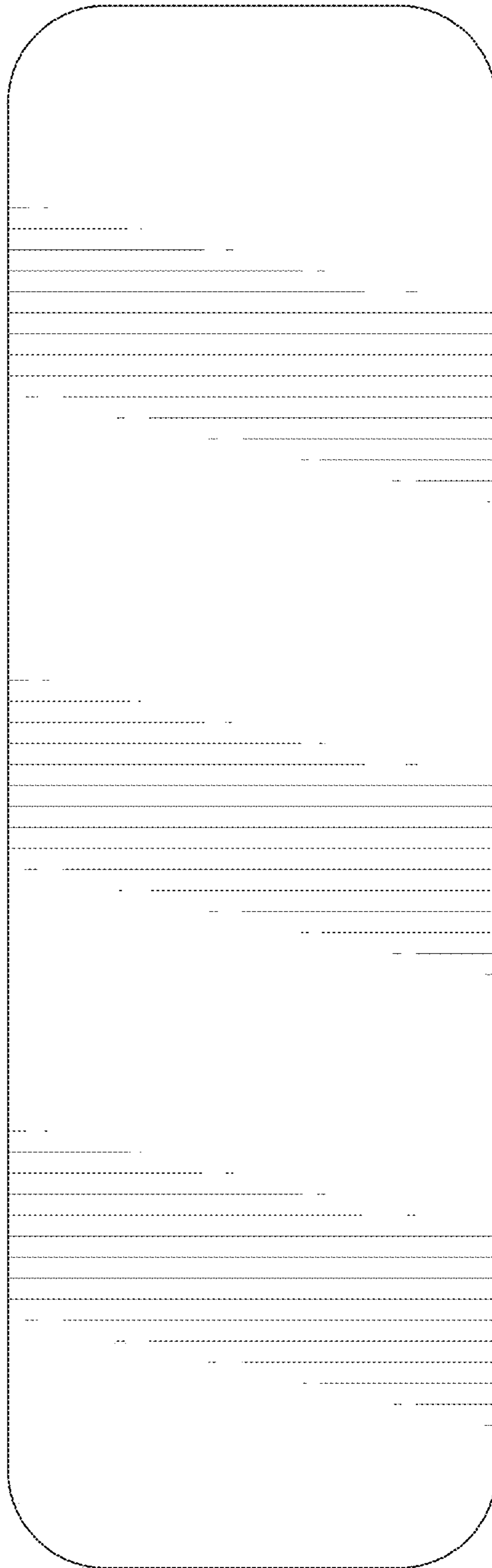


FIG. 3

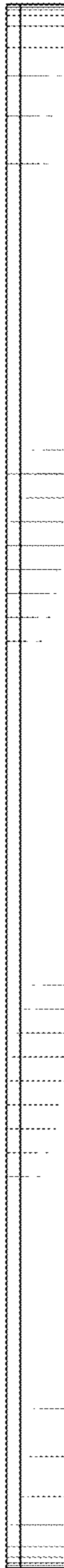


FIG. 4



FIG. 5

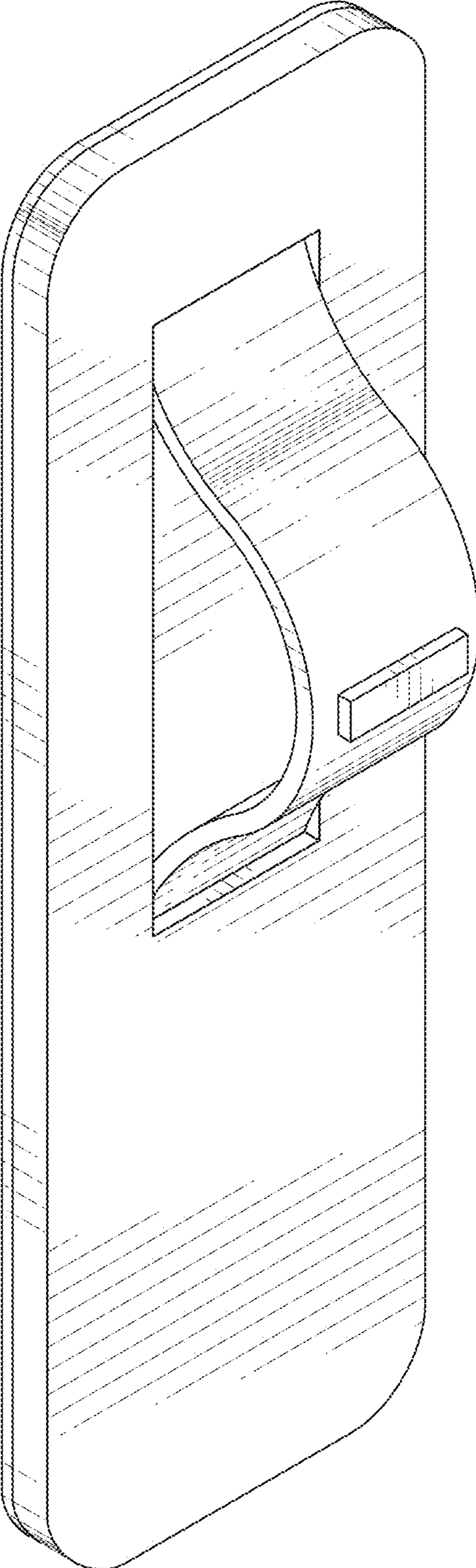


FIG. 6

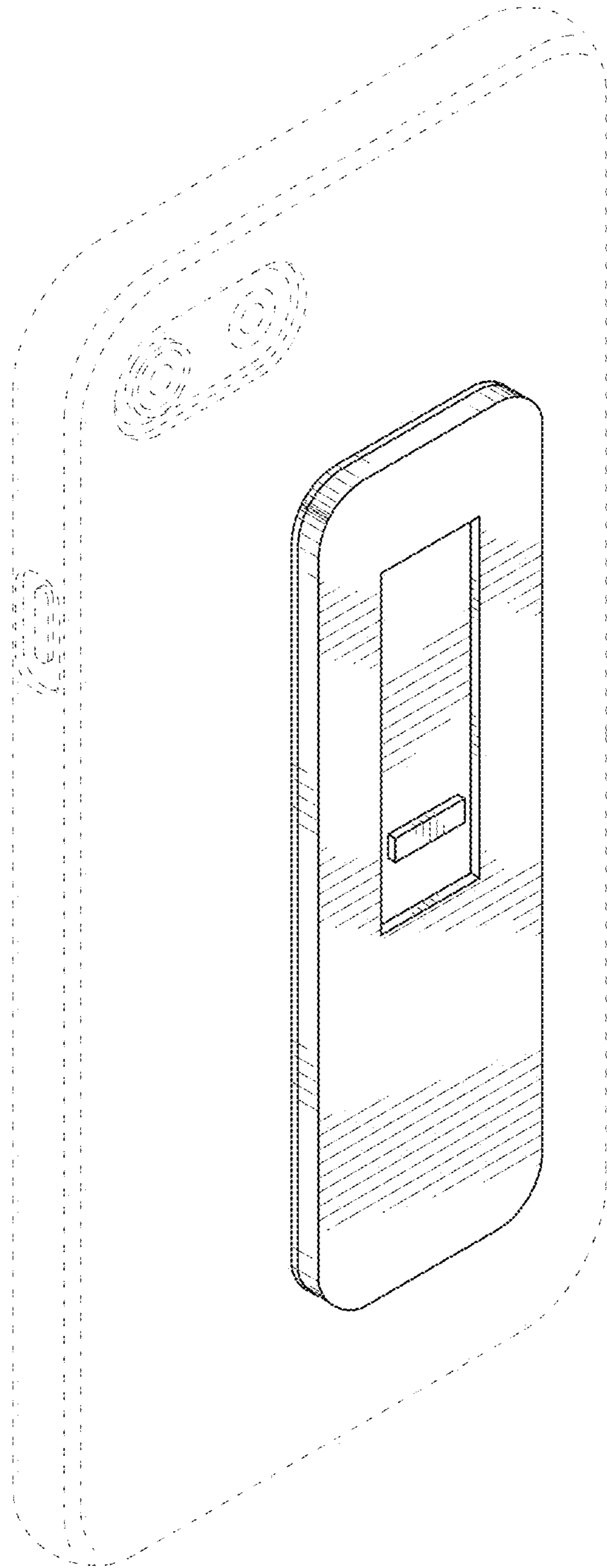


FIG. 7

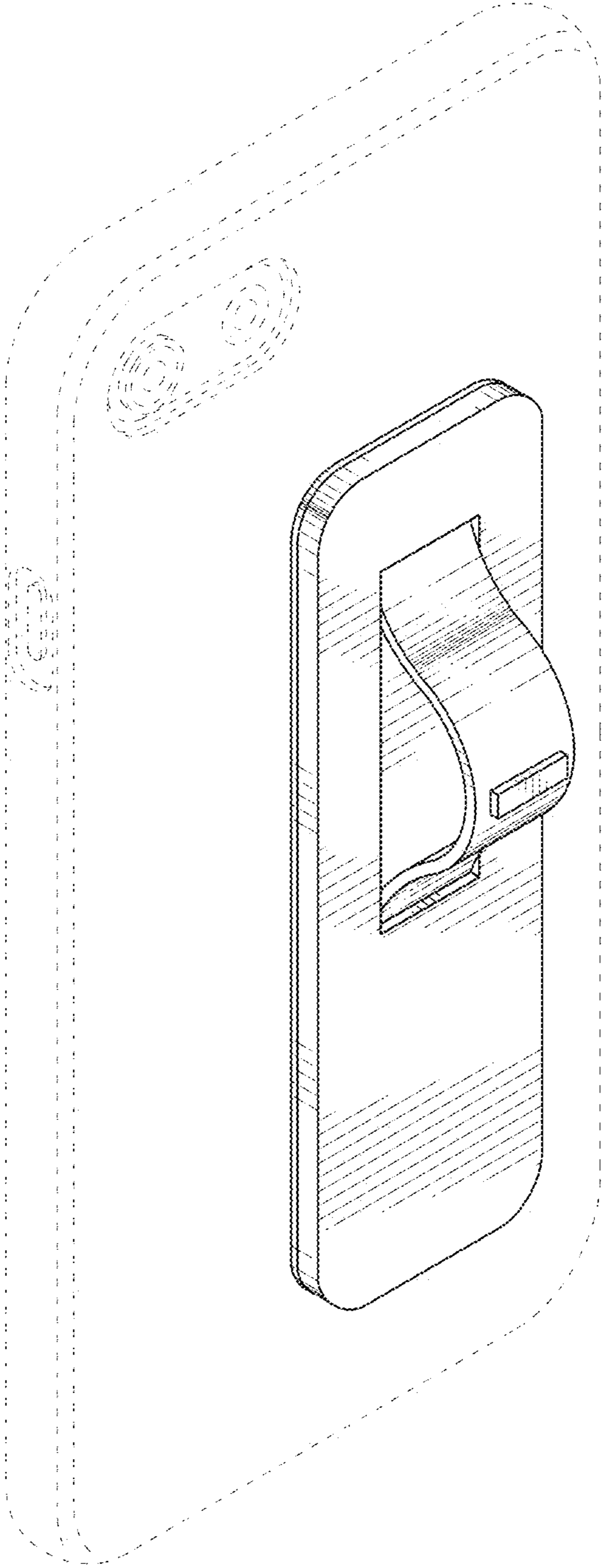


FIG. 8

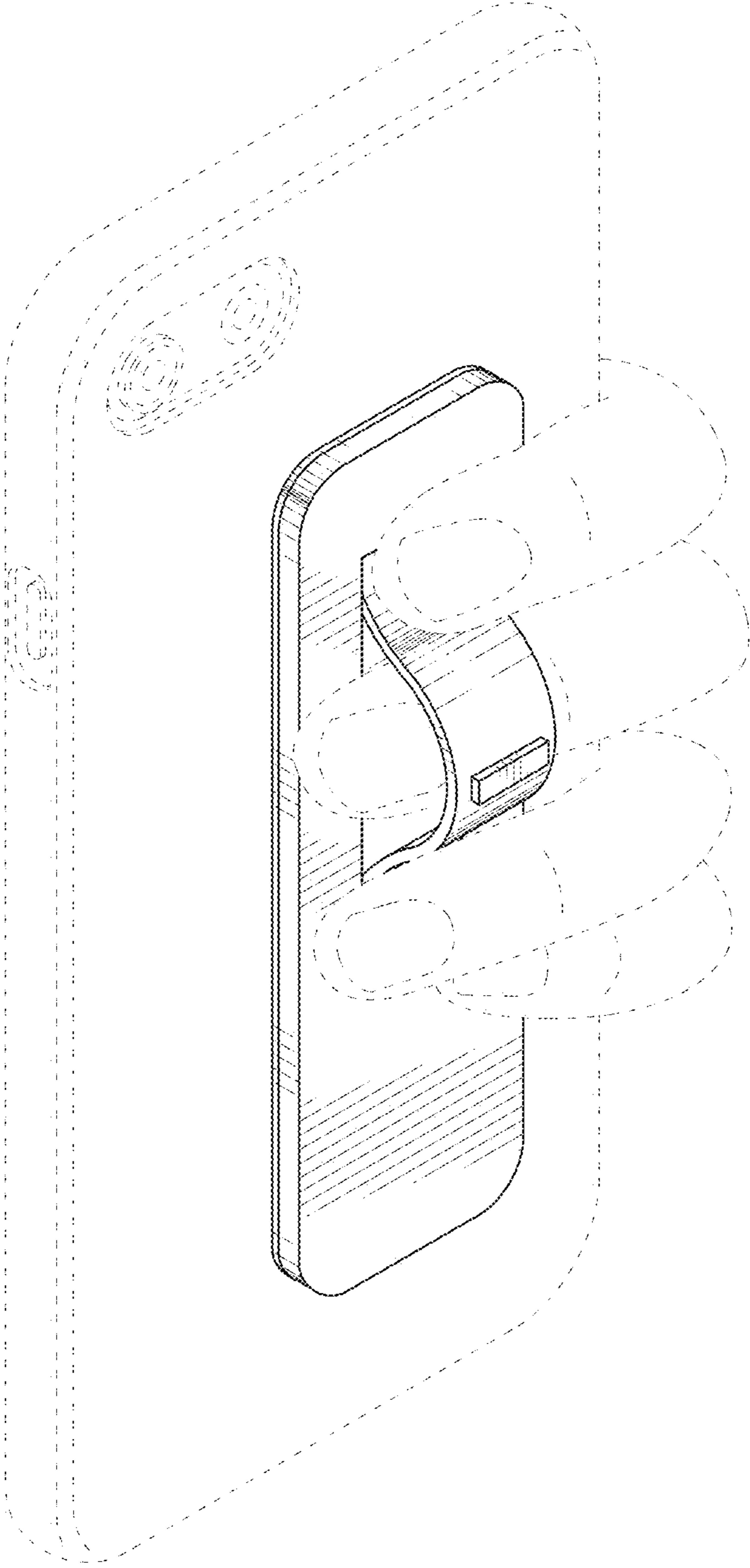


FIG. 9

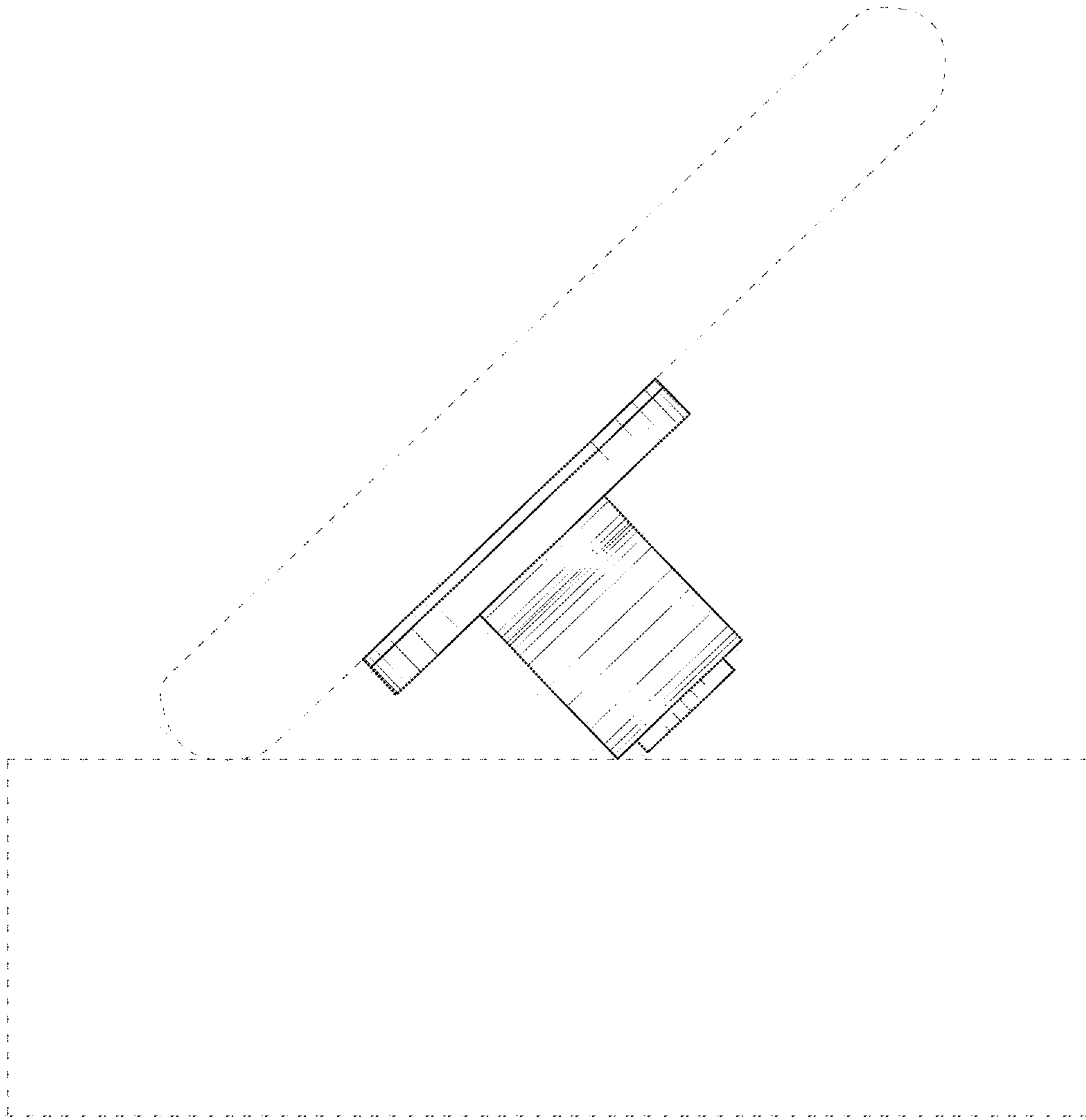


FIG. 10