



US00D950533S

(12) **United States Design Patent** (10) **Patent No.:** **US D950,533 S**
Jia (45) **Date of Patent:** **** May 3, 2022**

(54) **DISPLAY MOUNT**

(71) Applicant: **SHENZHEN BESTQI INNOVATION TECHNOLOGY CO., LTD**, Shenzhen (CN)

(72) Inventor: **Daqiang Jia**, Shenzhen (CN)

(73) Assignee: **SHENZHEN BESTQI INNOVATION TECHNOLOGY CO., LTD**, Shenzhen (CN)

(**) Term: **15 Years**

(21) Appl. No.: **29/756,186**

(22) Filed: **Oct. 27, 2020**

(51) **LOC (13) Cl.** **14-03**

(52) **U.S. Cl.**
USPC **D14/239**

(58) **Field of Classification Search**
USPC D14/239, 371, 372, 373, 374, 375, 376, D14/377, 447-450, 451, 452, 335-337, D14/125, 127, 128, 129, 341; D8/355, D8/363, 373; D6/672, 682
CPC F16M 11/2085; F16M 11/2092; F16M 11/2007; F16M 11/2014; F16M 11/2021; F16M 11/105; F16M 11/048; F16M 11/12; F16M 13/022; F16M 11/10
See application file for complete search history.

(56) **References Cited**

U.S. PATENT DOCUMENTS

D841,631	S	*	2/2019	Pei	D14/239
D842,284	S	*	3/2019	Pei	D14/239
D848,988	S	*	5/2019	Pei	D14/239
D878,382	S	*	3/2020	Pei	D14/452
D912,025	S	*	3/2021	Lyu	D14/239
D912,027	S	*	3/2021	Lyu	D14/239
D915,361	S	*	4/2021	Pei	D14/239
D915,362	S	*	4/2021	Pei	D14/239

D918,217	S	*	5/2021	Lyu	D14/452
D935,869	S	*	11/2021	Chen	D8/363
D935,873	S	*	11/2021	Chen	D8/363
2016/0353885	A1	*	12/2016	Feldman	F16M 11/10
2019/0191879	A1	*	6/2019	Pei	F16M 11/105

FOREIGN PATENT DOCUMENTS

CN	306795262	*	8/2021
GB	6123241	*	3/2021
GB	6123252	*	3/2021

OTHER PUBLICATIONS

Amazon. Link: https://www.amazon.com/dp/B098H6D1WJ/ref=sspa_dk_detail_0?psc=1. Jul. 2, 2021. KDG Full Motion TV Wall Mount. (Year: 2021).*

(Continued)

Primary Examiner — Lauren D McVey

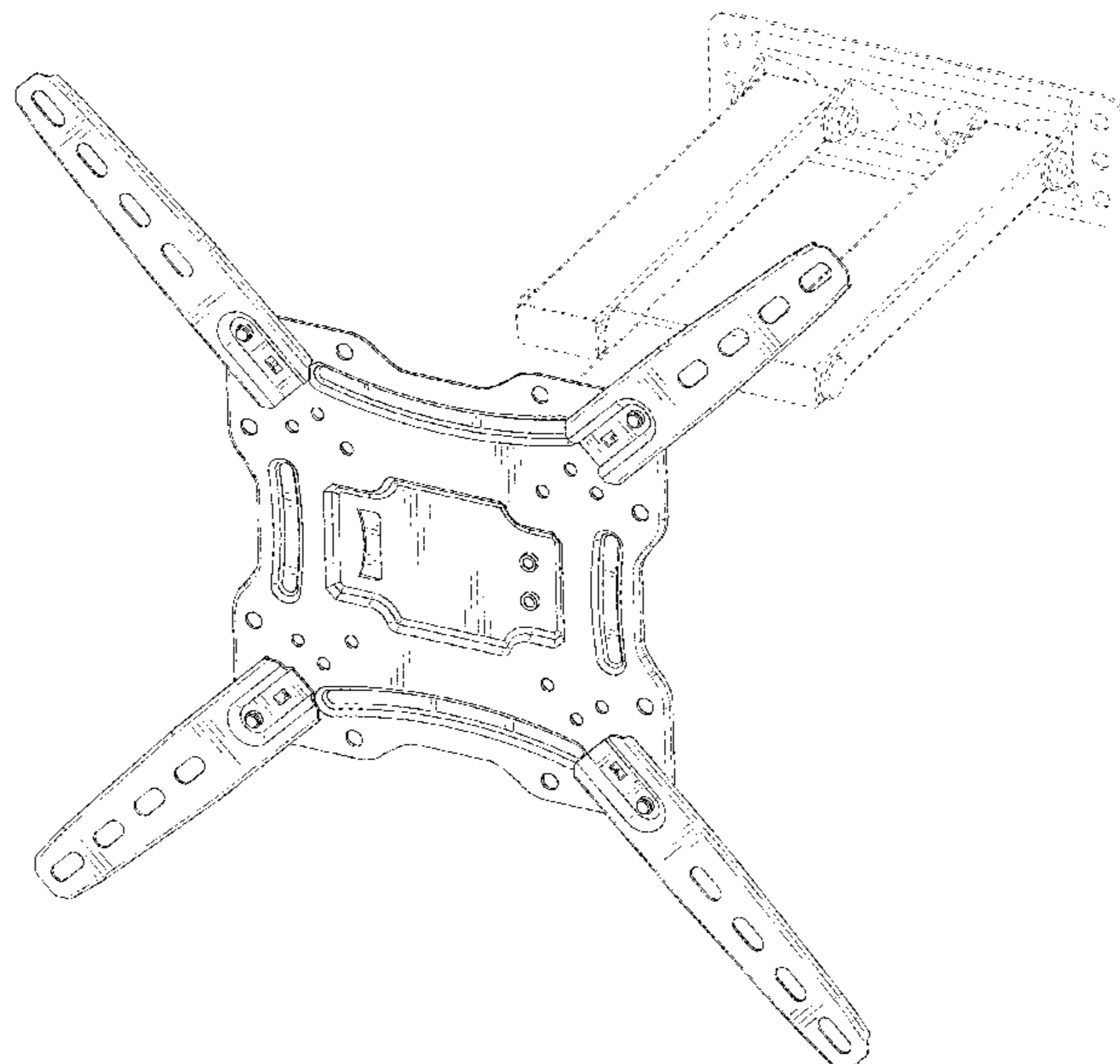
(57) **CLAIM**

The ornamental design for a display mount, as shown and described.

DESCRIPTION

FIG. 1 is a perspective view of a display mount showing my new design;
FIG. 2 is another perspective view thereof;
FIG. 3 is a front elevational view thereof;
FIG. 4 is a rear elevational view thereof;
FIG. 5 is a left side elevational view thereof;
FIG. 6 is a right side elevational view thereof;
FIG. 7 is a top plan view thereof; and,
FIG. 8 is a bottom plan view thereof.
The broken lines immediately adjacent to the shaded areas depict the bounds of the claimed design, while all other broken lines are directed to environment. The broken lines form no part of the claimed design.

1 Claim, 8 Drawing Sheets



(56)

References Cited

OTHER PUBLICATIONS

Amazon. Link: https://www.amazon.com/USX-MOUNT-XMM006-Articulating-400x400mm-Weight/dp/B07CXQRMLQ/ref=sr_1_2?crid=MKPBRLW8IR64&keywords=B07CXQRMLQ&qid=1642617929&s=electronics&prefix=b07cxqrmlq%2Celectronics%2C72&sr=1-2. May 8, 2018. Mounting Dream TV Wall Mount. (Year: 2018).*

Amazon. Link: https://www.amazon.com/Articulating-Extension-Rotation-400x400mm-Pipishell/dp/B07WMPKYGD/ref=sr_1_2?crid=QNX8G15DHWIW&keywords=B07WMPKYGD&qid=1642617375&s=electronics&prefix=b07wmpkygd%2Celectronics%2C55&sr=1-2. Aug. 14, 2019. Pipishell TV Wall Mount (Year: 2019).*

Amazon. Link: https://www.amazon.com/USX-MOUNT-XMM006-Articulating-400x400mm-Weight/dp/B07CXQRMLQ/ref=pd_day0fbt_img_2/133-7004299-7296243?%E2%80%A6. May 8, 2018. USX MOUNT Full Motion TV Mount (Year: 2018).*

* cited by examiner

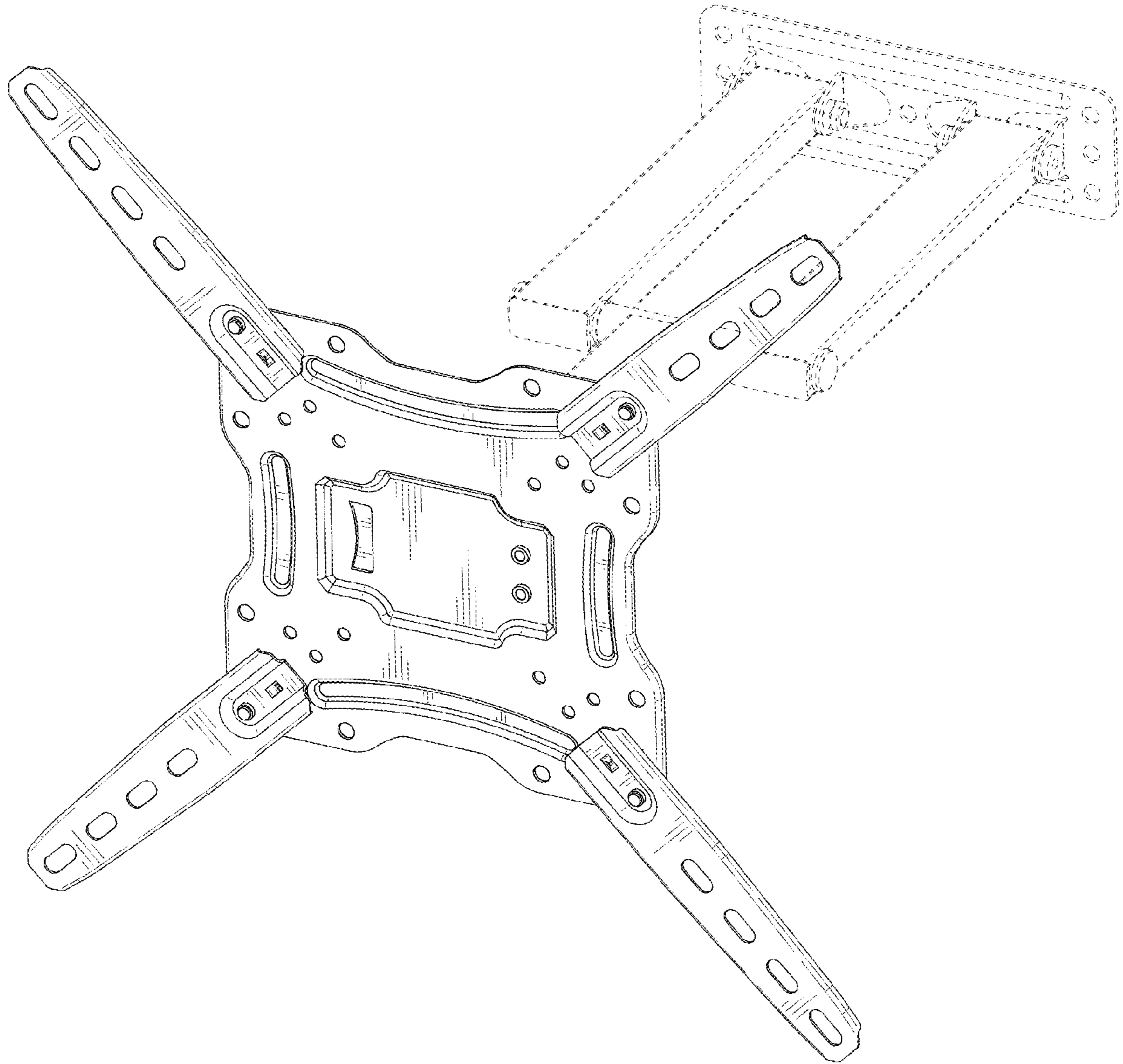


FIG. 1

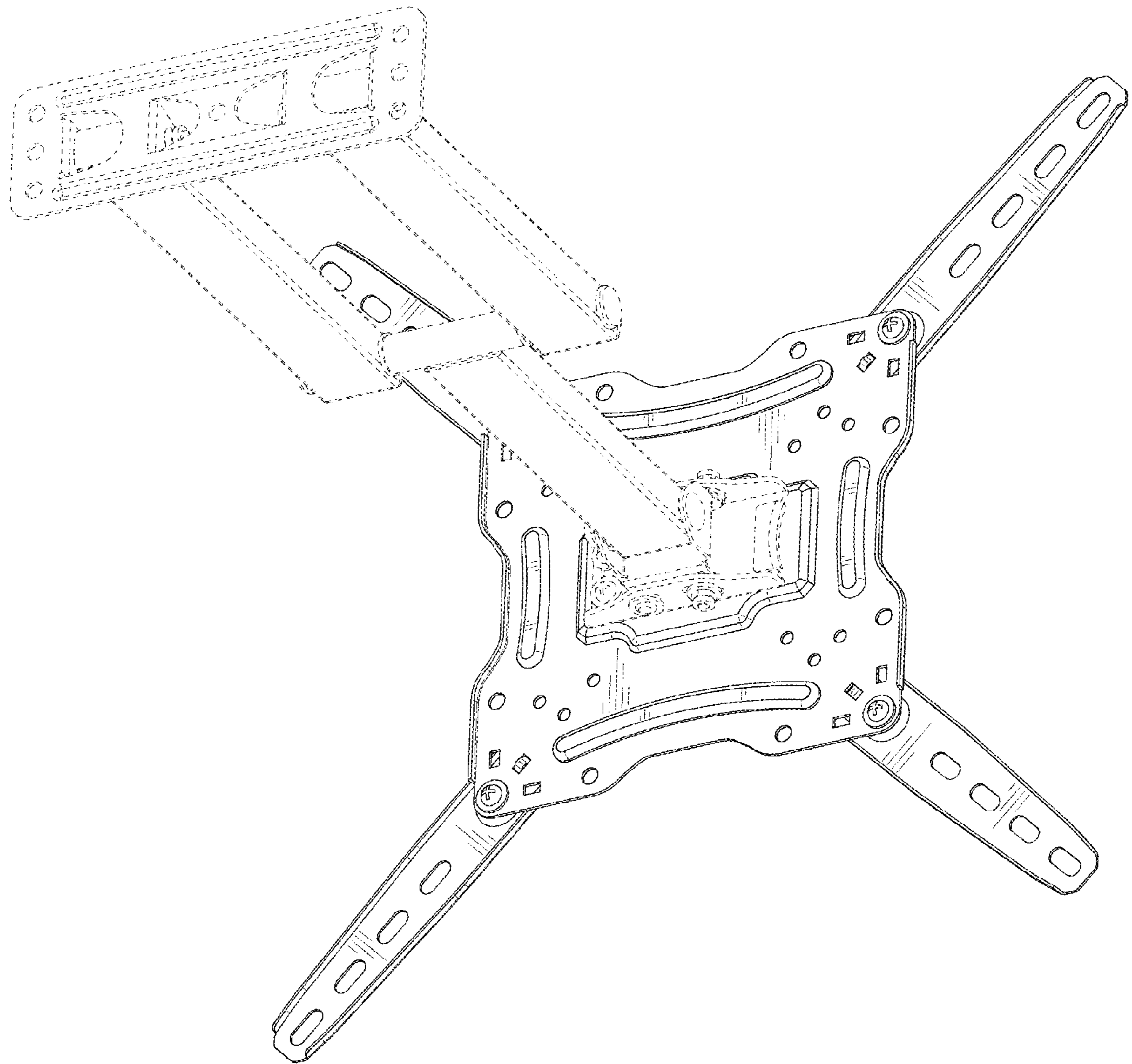


FIG. 2

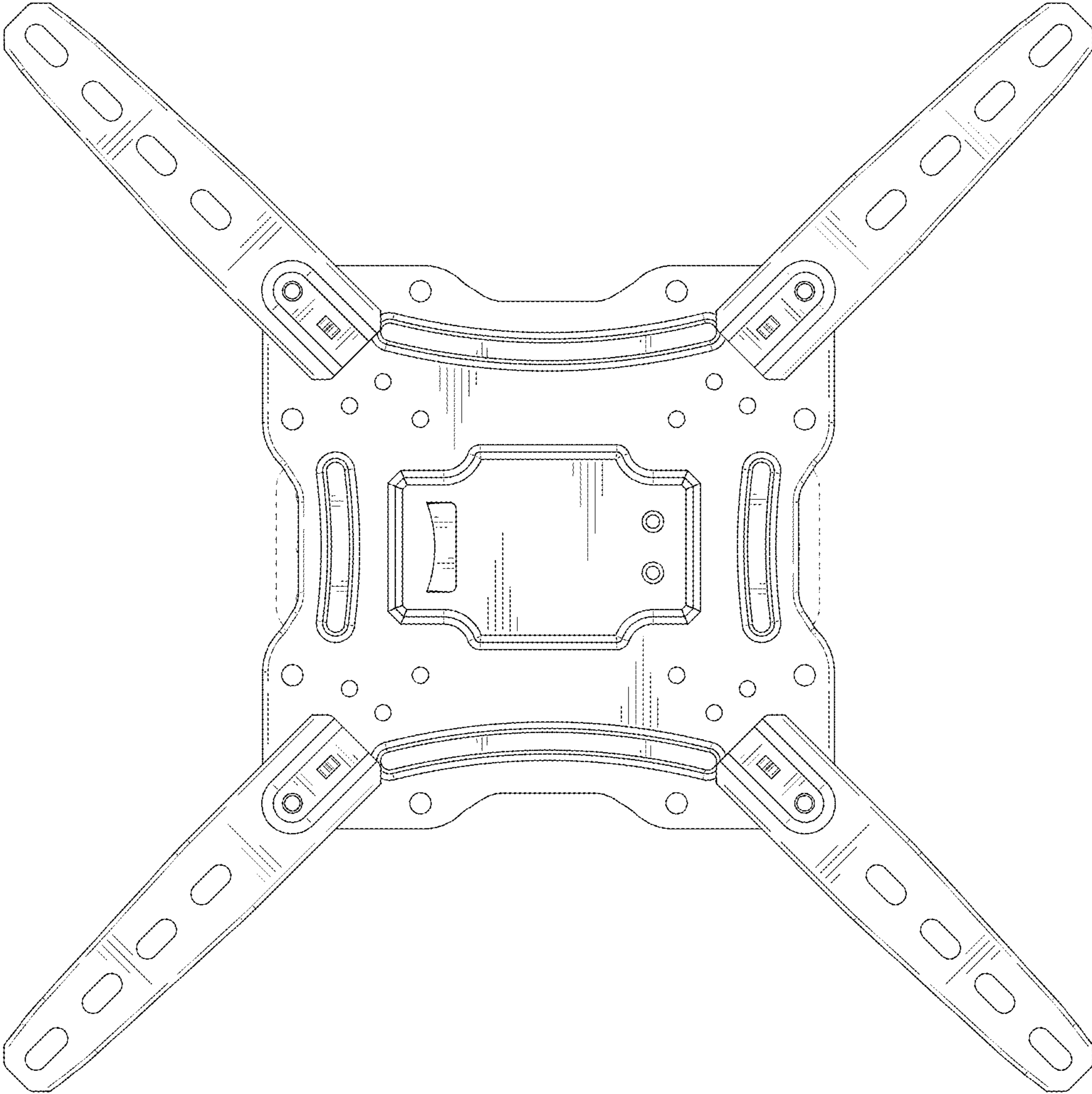


FIG. 3

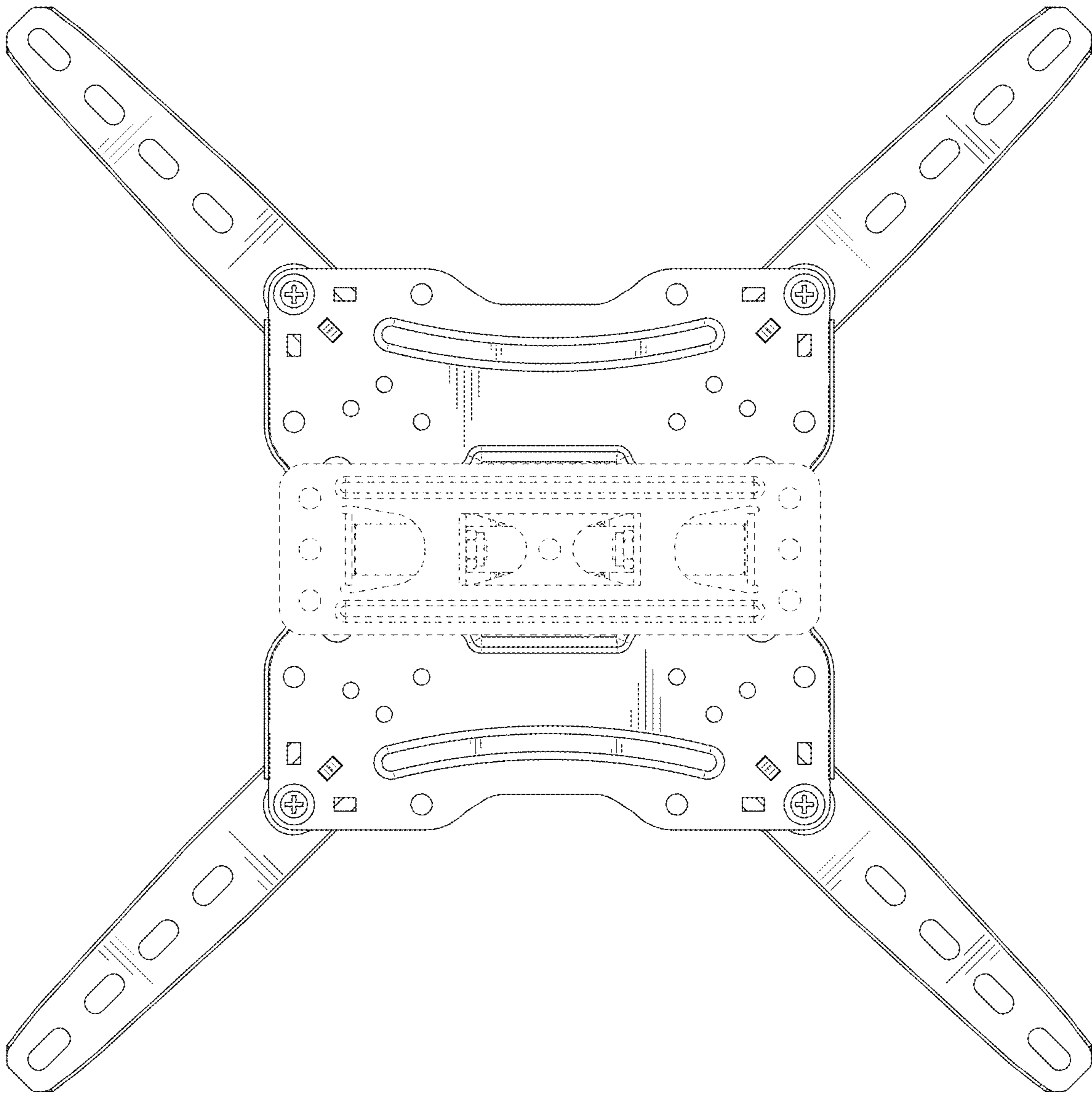


FIG. 4

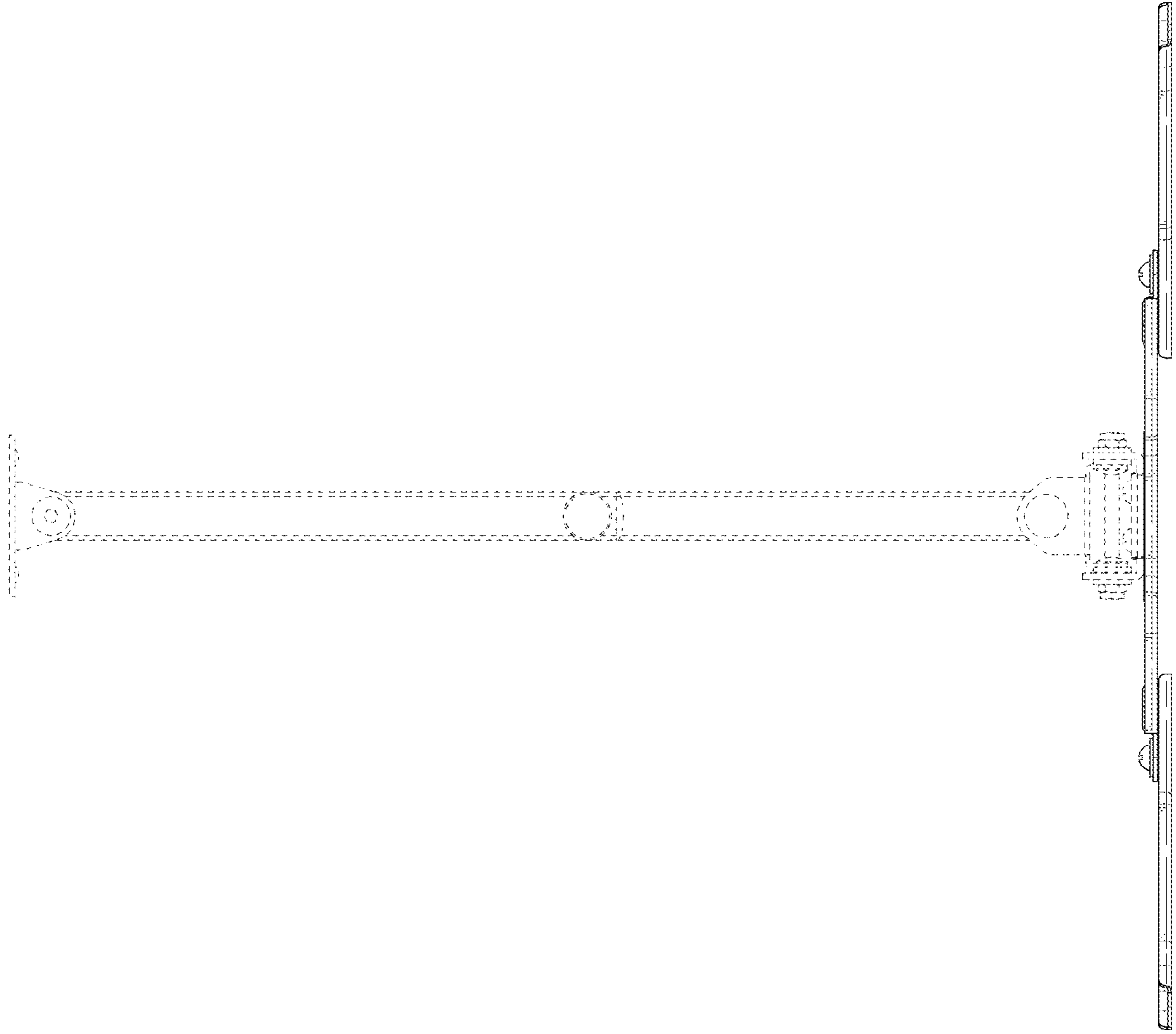


FIG. 5

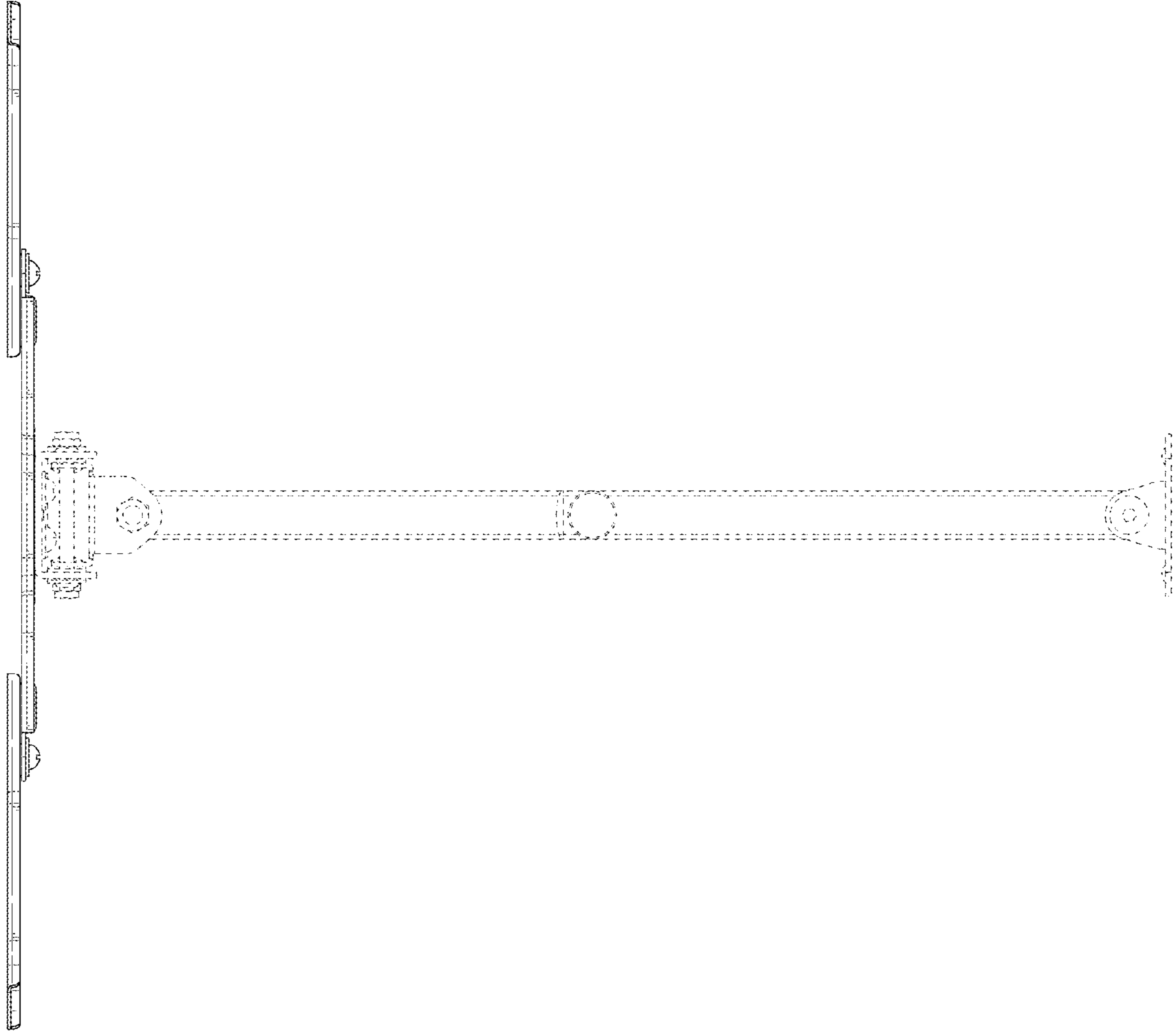


FIG. 6

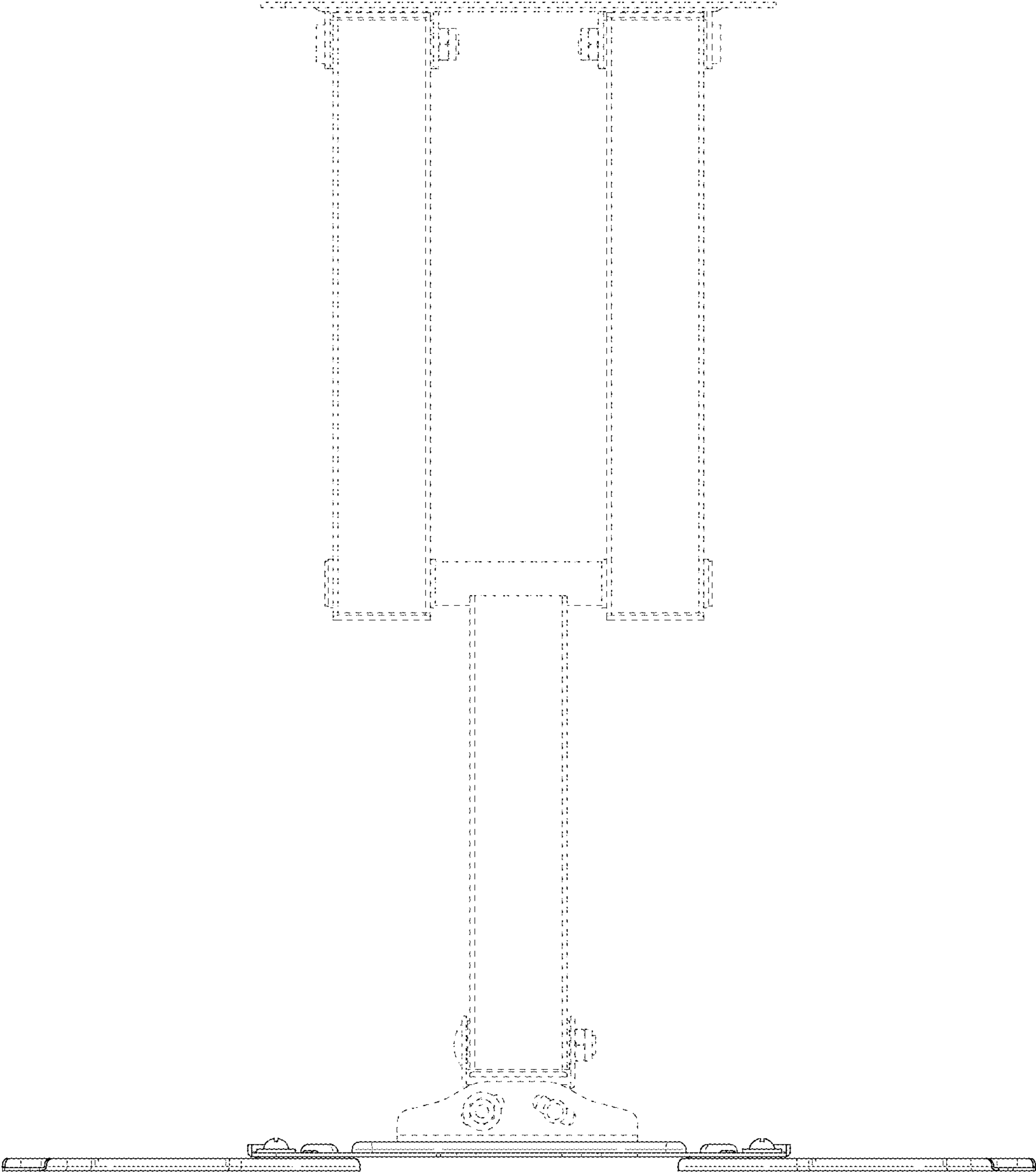


FIG. 7

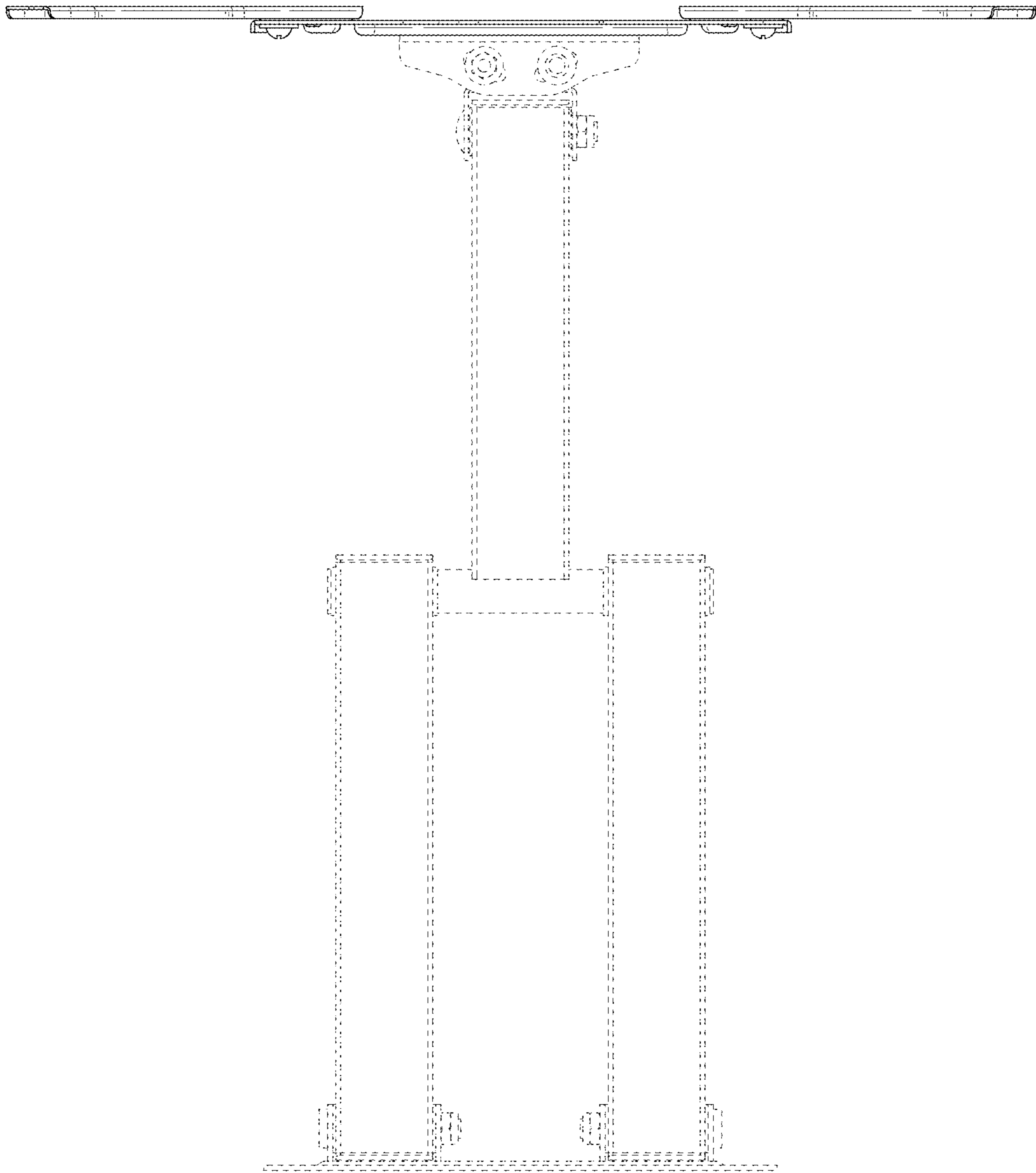


FIG. 8