



(12) **United States Design Patent** (10) **Patent No.:** **US D950,532 S**  
**Lee** (45) **Date of Patent:** **\*\* May 3, 2022**

(54) **STAND FOR A TV RECEIVER**  
 (71) Applicant: **LG ELECTRONICS INC.**, Seoul (KR)  
 (72) Inventor: **Nari Lee**, Seoul (KR)  
 (73) Assignee: **LG ELECTRONICS INC.**, Seoul (KR)

D640,692 S \* 6/2011 Waisman-Diamond ..... D14/358  
 D691,149 S \* 10/2013 Breton ..... D14/447  
 D693,248 S \* 11/2013 Anderssen ..... D10/65  
 D715,277 S \* 10/2014 Kim ..... D14/239  
 D723,011 S \* 2/2015 Symons ..... D14/224  
 (Continued)

(\*\*) Term: **15 Years**  
 (21) Appl. No.: **29/751,608**

(22) Filed: **Sep. 22, 2020**

(30) **Foreign Application Priority Data**

Apr. 9, 2020 (KR) ..... 30-2020-0015923

(51) **LOC (13) Cl.** ..... **14-03**  
 (52) **U.S. Cl.**  
 USPC ..... **D14/239**

(58) **Field of Classification Search**

USPC ..... D14/239, 371, 372-374, 447-452, 125,  
 D14/127-129, 335-337, 375-377, 341,  
 D14/126, 211, 238, 447-448, 450;  
 D8/355, 363, 373, 380, 366, 376, 377,  
 D8/354; D6/672, 682, 553, 300,  
 D6/310-313, 308, 708; D25/121, 119  
 CPC ..... F16M 11/2085; F16M 11/2092; F16M  
 11/2007; F16M 11/2014; F16M 11/2021;  
 F16M 11/105; F16M 11/10; F16M  
 11/048; F16M 11/12; F16M 13/022;  
 F16M 13/02; F16M 13/00; F16M 11/04;  
 F16M 2200/08; H04N 5/655; H02G  
 3/126; A47B 21/0314; A47B 88/044;  
 A47B 21/0335; A47G 1/17; A47K  
 2201/001; F16B 47/00; F16B 47/006

See application file for complete search history.

(56) **References Cited**

**U.S. PATENT DOCUMENTS**

D393,853 S \* 4/1998 Maas ..... D14/126  
 D587,251 S \* 2/2009 Morello ..... D14/239

**OTHER PUBLICATIONS**

AlCase Tablet Floor Stand Gooseneck Tablet Holder Mount, first available Aug. 21, 2020, amazon.co.uk, [online], [site visited Dec. 15, 2021], Available from internet URL: [https://www.amazon.co.uk/dp/B08GCHPY9/ref=sspa\\_dk\\_detail\\_5?psc=1&pd\\_rd\\_i=B08GCHPY9&pd\\_rd\\_w=msGmb&pf\\_rd\\_p=828203ef-618e-4303%E2%80%A6](https://www.amazon.co.uk/dp/B08GCHPY9/ref=sspa_dk_detail_5?psc=1&pd_rd_i=B08GCHPY9&pd_rd_w=msGmb&pf_rd_p=828203ef-618e-4303%E2%80%A6) (Year: 2020).\*

(Continued)

*Primary Examiner* — Samantha Q Lawrence

*Assistant Examiner* — Holly M Rodriguez

(74) *Attorney, Agent, or Firm* — Birch, Stewart, Kolasch & Birch, LLP

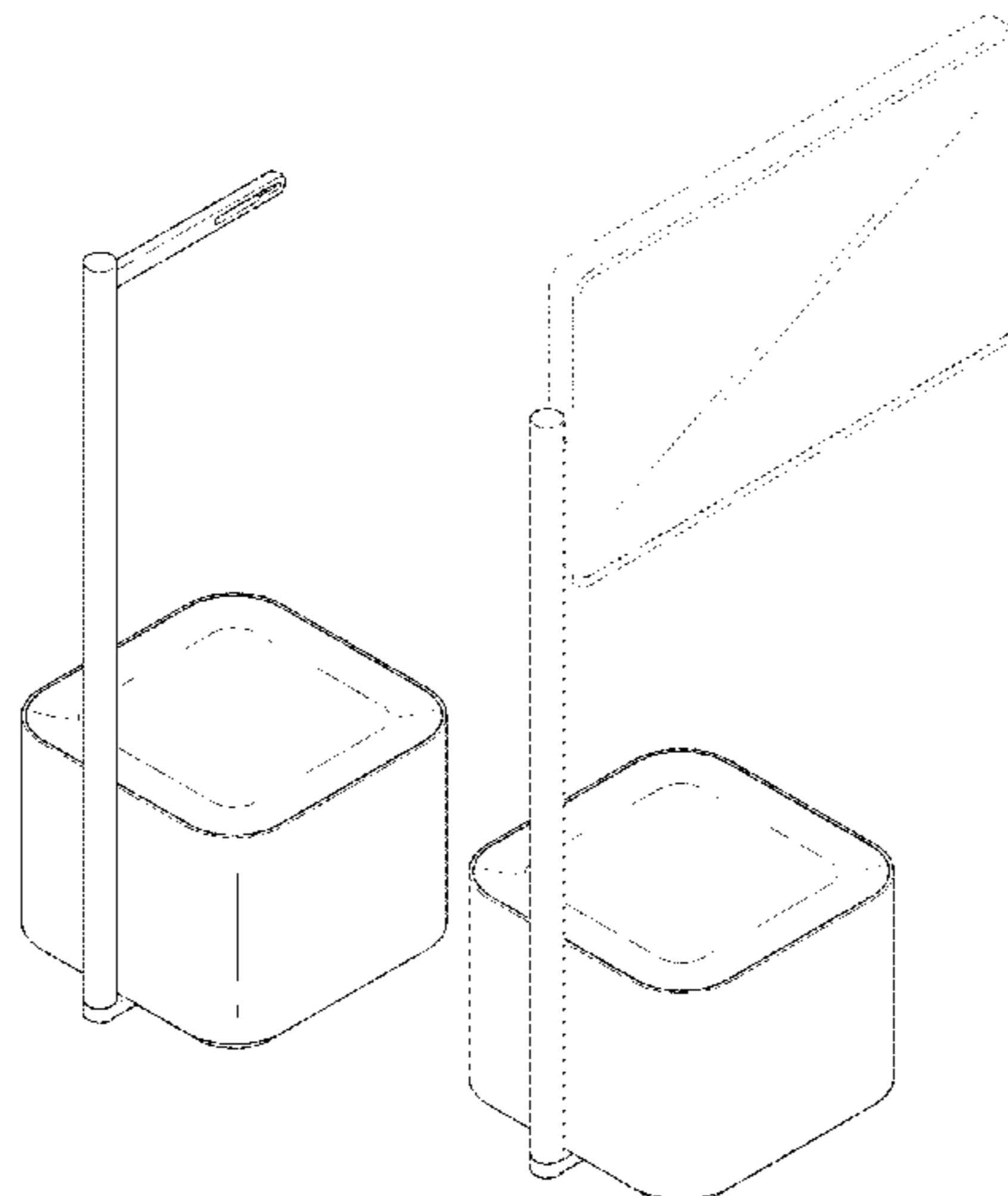
(57) **CLAIM**

The ornamental design for a stand for a TV receiver, as shown and described.

**DESCRIPTION**

FIG. 1 is a front, right side, perspective view of a stand for a TV receiver showing our new design;  
 FIG. 2 is a front view thereof;  
 FIG. 3 is a rear view thereof;  
 FIG. 4 is a left side view thereof;  
 FIG. 5 is a right side view thereof;  
 FIG. 6 is a top view thereof;  
 FIG. 7 is a bottom view thereof; and,  
 FIG. 8 is a reference view that shows a state of use in which a TV receiver is combined with a stand.  
 The broken lines shown in FIG. 8 illustrate environmental structure and form no part of the claimed design.

**1 Claim, 7 Drawing Sheets**



(56)

References Cited

U.S. PATENT DOCUMENTS

D724,072	S	*	3/2015	Jiang	.....	D14/253
D762,650	S	*	8/2016	Dang	.....	D14/434
D769,234	S	*	10/2016	Rami	.....	D14/253
D783,000	S	*	4/2017	Koo	.....	D14/209.1
D789,099	S	*	6/2017	Gorman	.....	D6/312
D790,868	S	*	7/2017	Gorman	.....	D6/310
D795,266	S	*	8/2017	Williams	.....	D14/447
D808,965	S	*	1/2018	Bergeron-Mirsky	.....	D14/371
D815,610	S	*	4/2018	Lee	.....	D14/125
D824,346	S	*	7/2018	Kim	.....	D14/125
D835,112	S	*	12/2018	Kim	.....	D14/447
D839,248	S	*	1/2019	Hwang	.....	D14/239
D877,746	S	*	3/2020	Pei	.....	D14/452
D884,711	S	*	5/2020	Zhang	.....	D14/447
D920,981	S	*	6/2021	Zhang	.....	D14/434
D928,703	S	*	8/2021	Liao	.....	D13/108
D934,234	S	*	10/2021	Deng	.....	D14/253
D934,932	S	*	11/2021	Han	.....	D15/199

OTHER PUBLICATIONS

Hitrends Cell Phone Stand, Tablet Holder, first available Apr. 21, 2020, amazon.co.uk, [online], [site visited Dec. 15, 2021], Available from internet URL: [https://www.amazon.co.uk/dp/B087GHF4M8/ref=sspa\\_dk\\_detail\\_6?pd\\_rd\\_w=uG96q&pf\\_rd\\_p=a8d38b47-cfdf-4208-95a0-1af779cb6e7d&pd\\_rd\\_wg=1%E2%80%A6&th=1](https://www.amazon.co.uk/dp/B087GHF4M8/ref=sspa_dk_detail_6?pd_rd_w=uG96q&pf_rd_p=a8d38b47-cfdf-4208-95a0-1af779cb6e7d&pd_rd_wg=1%E2%80%A6&th=1) (Year: 2020).\*

Tablet Floor Stand with Flexible Gooseneck, first available Jul. 20, 2020, amazon.co.uk/, [online], [site visited Dec. 15, 2021], Available from internet URL: [https://www.amazon.co.uk/Tablet-Flexible-Gooseneck-Adjustable-Roating-White/dp/B094ZF7BPS/ref=pd\\_sbs\\_6/257-3316196-6551215?pd\\_rd\\_w=a3h%E2%80%A6](https://www.amazon.co.uk/Tablet-Flexible-Gooseneck-Adjustable-Roating-White/dp/B094ZF7BPS/ref=pd_sbs_6/257-3316196-6551215?pd_rd_w=a3h%E2%80%A6) (Year: 2020).\*

Tounee Tablet Stand and Holder for Desk, first available Nov. 27, 2020, amazon.com, [online], [site visited Dec. 15, 2021], Available from internet URL: [https://www.amazon.co.uk/dp/B08L4SYFSL/ref=sspa\\_dk\\_detail\\_4?pd\\_rd\\_w=msGMb&pf\\_rd\\_p=828203ef-618e-4303-a028-460d6b615038&pd\\_rd\\_w%E2%80%A6=undefined&th=1](https://www.amazon.co.uk/dp/B08L4SYFSL/ref=sspa_dk_detail_4?pd_rd_w=msGMb&pf_rd_p=828203ef-618e-4303-a028-460d6b615038&pd_rd_w%E2%80%A6=undefined&th=1) (Year: 2020).\*

\* cited by examiner

FIG. 1

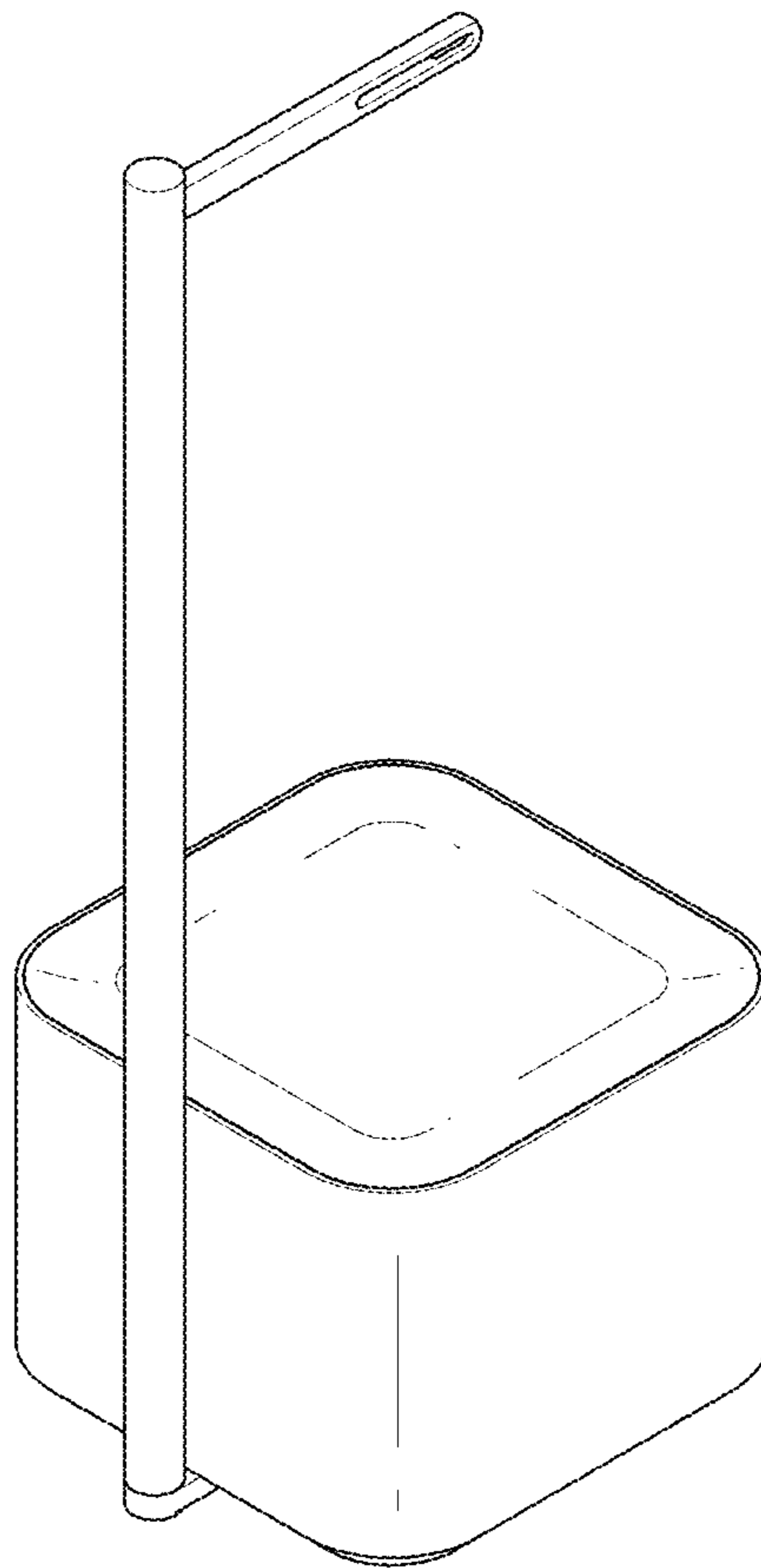


FIG. 2

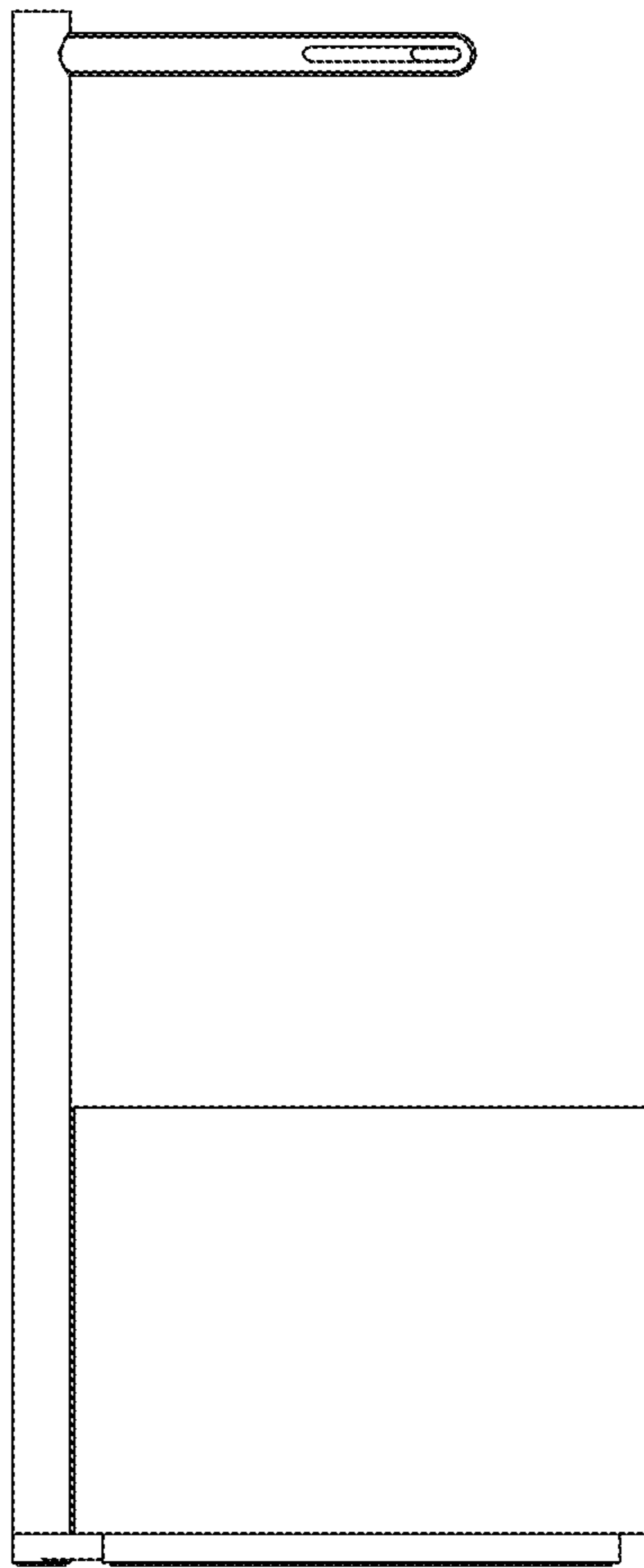


FIG. 3

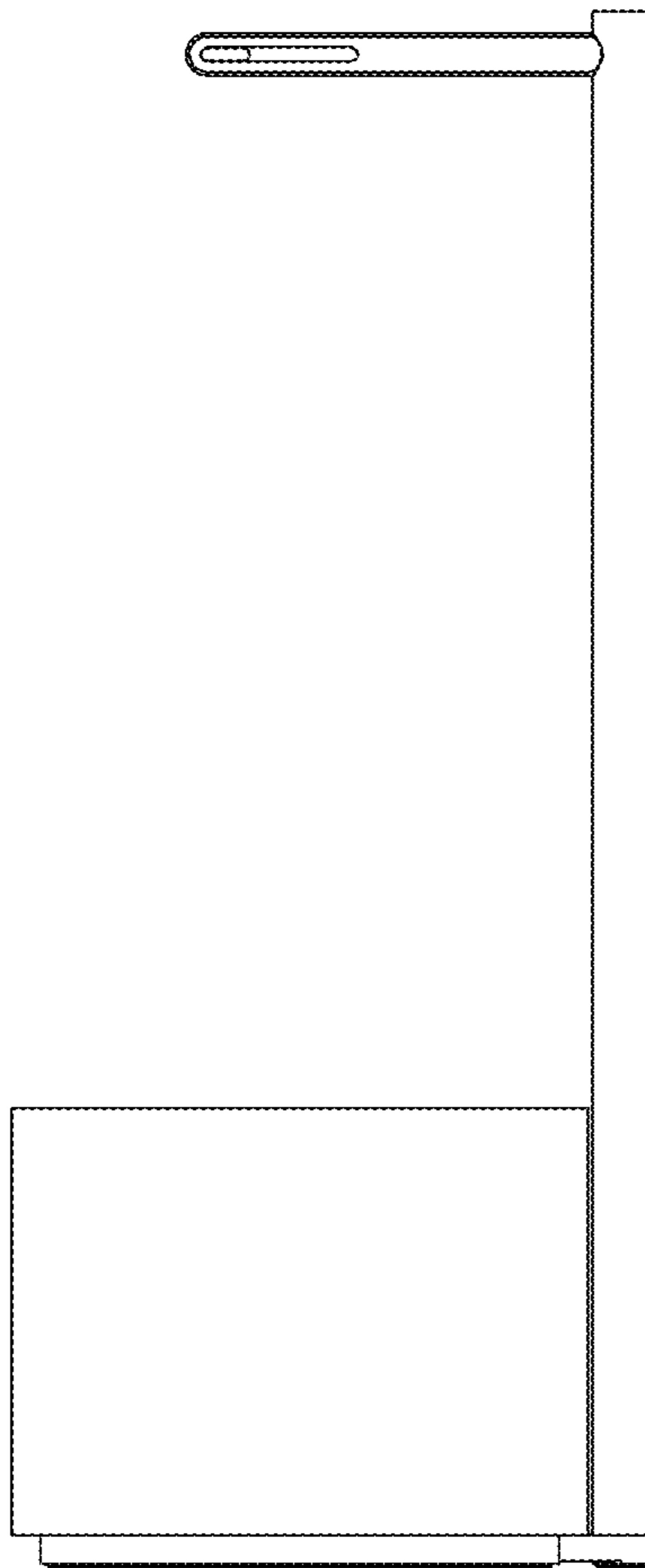


FIG. 4

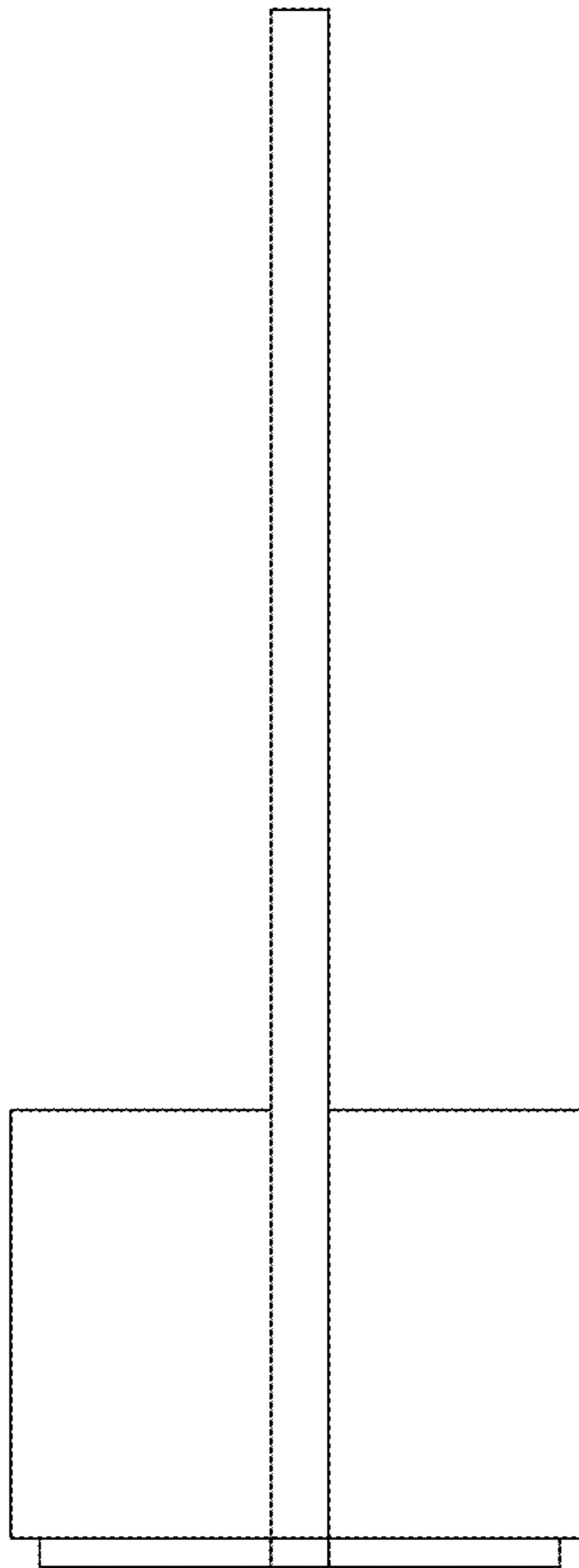


FIG. 5

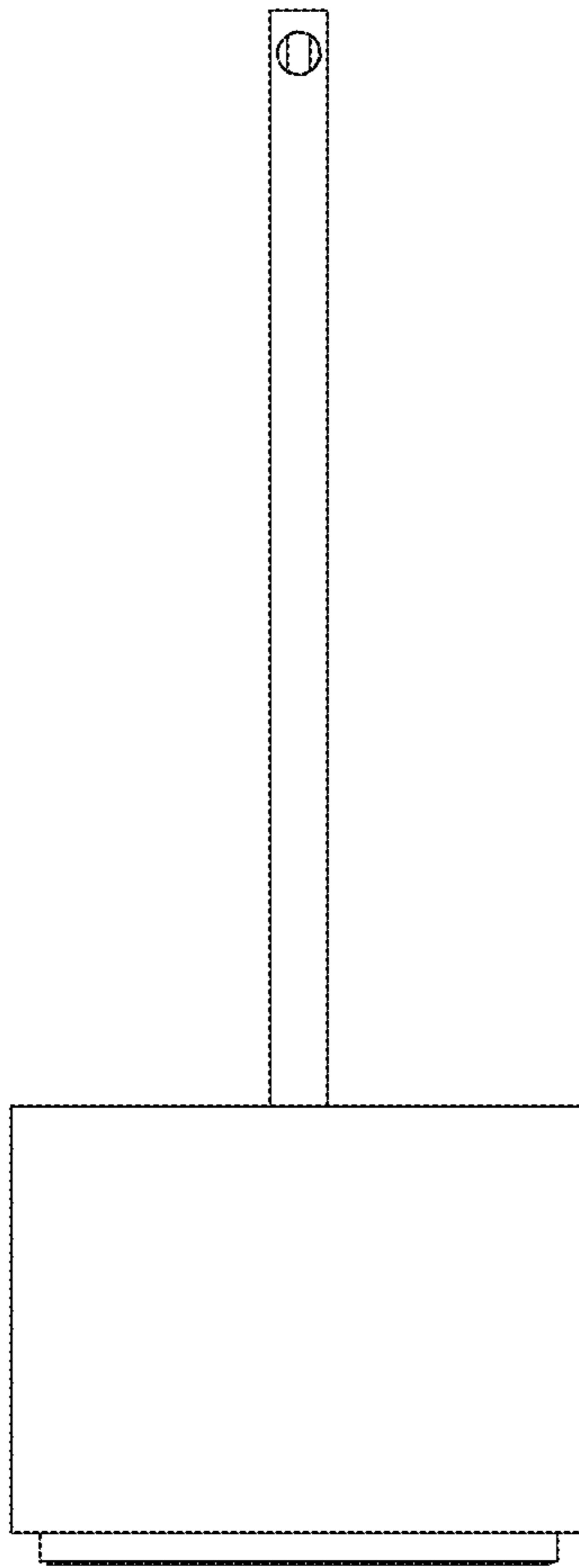


FIG. 6

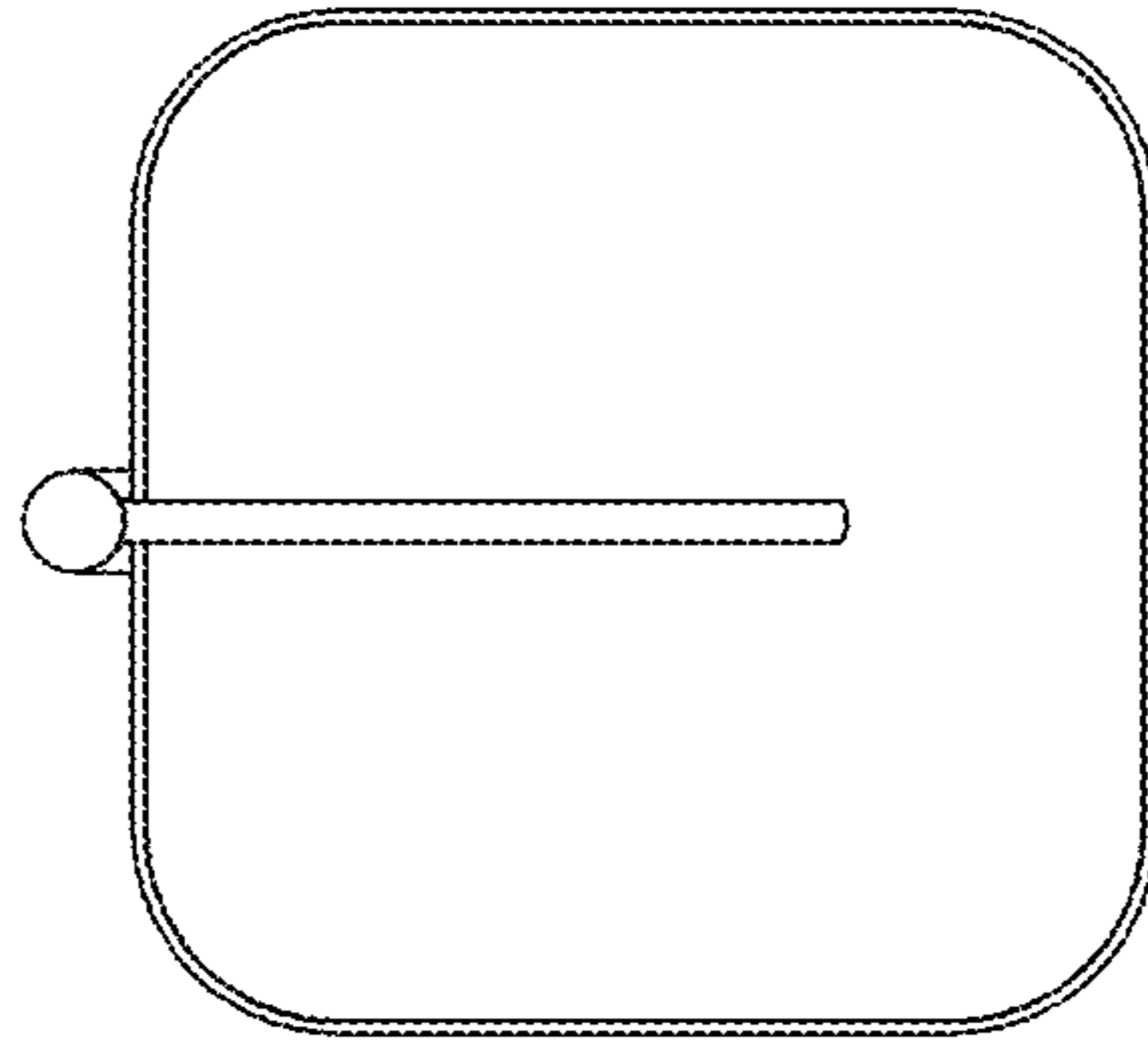


FIG. 7

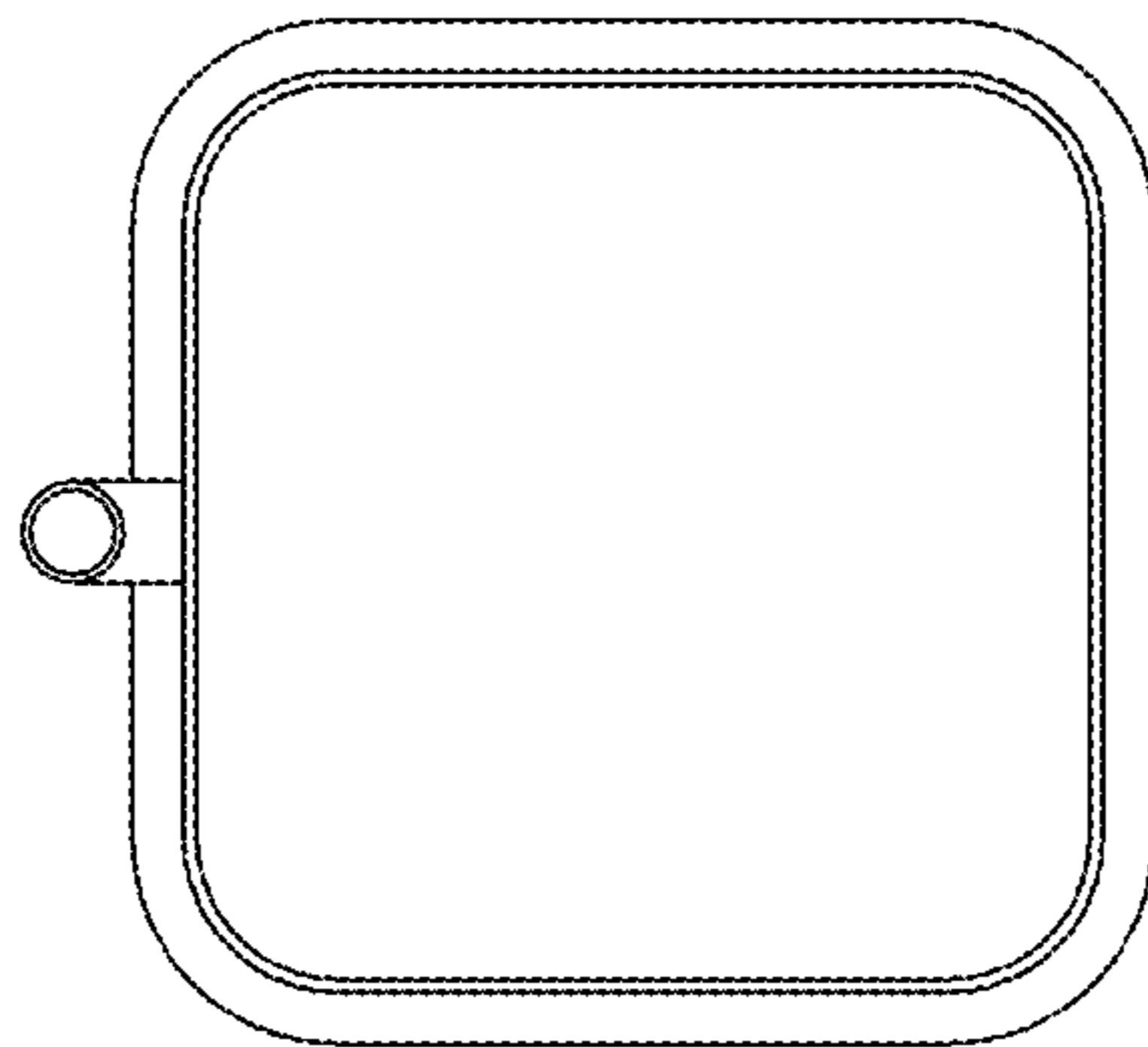




FIG. 8

