



US00D950531S

(12) **United States Design Patent**
Herpers et al.

(10) **Patent No.:** **US D950,531 S**
(45) **Date of Patent:** **** May 3, 2022**

- (54) **WALL MOUNT TILT SUPPORT**
- (71) Applicant: **Vogel's Holding B.V.**, Eindhoven (NL)
- (72) Inventors: **Tom Herpers**, Eindhoven (NL); **Stefan Luijben**, Helmond (NL)
- (73) Assignee: **Vogel IP B.V.**
- (**) Term: **15 Years**
- (21) Appl. No.: **29/750,817**
- (22) Filed: **Sep. 16, 2020**
- (30) **Foreign Application Priority Data**

D904,361 S * 12/2020 Pei D14/239
 D905,070 S * 12/2020 Pei D14/451
 D913,998 S * 3/2021 Pei D14/239

FOREIGN PATENT DOCUMENTS

EM 002127951-0001 * 11/2012

OTHER PUBLICATIONS

Vogel's WALL 3315 tiltable TV wall bracket, first available Apr. 27, 2020, amazon.ae [online], [site visited Oct. 19, 2021], Available from internet URL: https://www.amazon.ae/Vogels-WALL-3315-Universal-compatibility/dp/B0772J23DL/ref=sr_1_11?dchild=1&keywords=Vogel%27s&qid=1634749431&sr=8-11 (Year: 2020).*

(Continued)

Primary Examiner — Samantha Q Lawrence
Assistant Examiner — Holly M Rodriguez
 (74) *Attorney, Agent, or Firm* — Miller & Martin PLLC

- Mar. 16, 2020 (EM) 007757174-0002
- (51) **LOC (13) Cl.** **14-03**
- (52) **U.S. Cl.**
USPC **D14/239**
- (58) **Field of Classification Search**
USPC D14/204, 209.1, 211, 221, 224-225,
D14/227-228, 239, 371, 372, 373, 374,
D14/447-452, 125, 127, 128, 129,
D14/335-337, 375, 376, 377, 341, 126;
D8/355, 363, 373; D6/672, 682
CPC F16M 11/2085; F16M 11/2092; F16M
11/2007; F16M 11/2014; F16M 11/2021;
F16M 11/105; F16M 11/10; F16M
11/048; F16M 11/12; F16M 13/022;
H04R 9/06; H04R 1/24; H04R 11/02;
H04R 2400/00

See application file for complete search history.

(57) **CLAIM**

The ornamental design for the wall mount tilt support, as shown and described.

DESCRIPTION

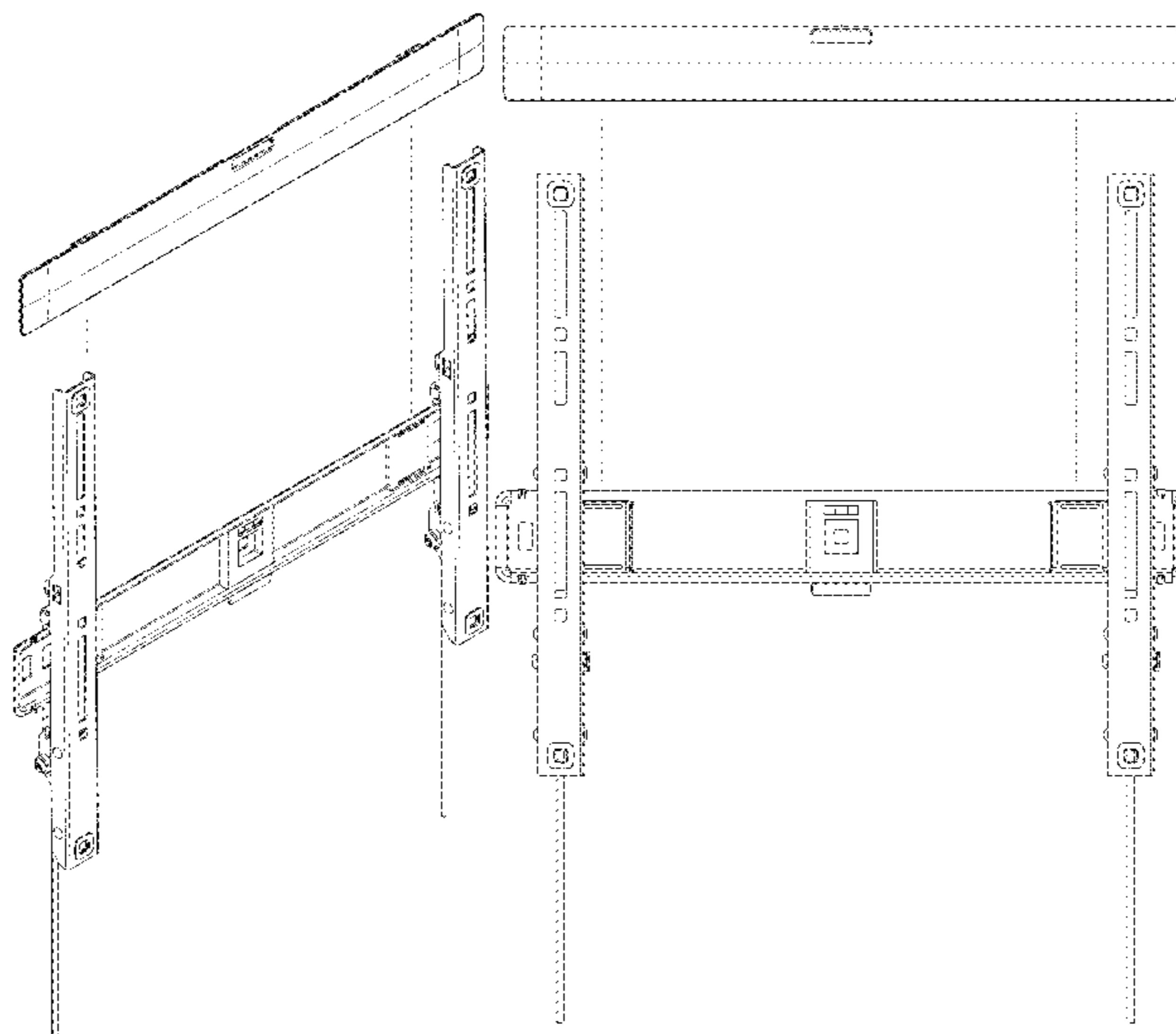
FIG. 1 is a top front left perspective view of the wall mount tilt support with the cover plate removed;
 FIG. 2 is a front plan view of the wall mount tilt support shown in FIG. 1 with the cover plate removed;
 FIG. 3 is a front plan view of the wall mount tilt support shown in FIG. 1 with the cover plate in place;
 FIG. 4 is a rear plan view of the wall mount tilt support shown in FIG. 1 with the cover plate in place;
 FIG. 5 is a left plan view of the wall mount tilt support shown in FIG. 1 with tilt arms extended, the right plan view being a mirror image thereof; and,
 FIG. 6 is a left plan view of the wall mount tilt support shown in FIG. 1 with tilt arms retracted, the right plan view being a mirror image thereof.

1 Claim, 6 Drawing Sheets

(56) **References Cited**

U.S. PATENT DOCUMENTS

D493,800 S * 8/2004 Pfister D14/451
 D517,085 S * 3/2006 Deuschle D14/451
 D563,962 S * 3/2008 Grey D14/452
 D691,121 S * 10/2013 Luijben D14/239



(56)

References Cited

OTHER PUBLICATIONS

NB North Bayou Tv Wall Mount, first available Aug. 4, 2019, amazon.ae, [online], [site visited Oct. 19, 2021], Available from internet URL: https://www.amazon.ae/NB-North-Bayou-Curved-Screen/dp/B0792S211_M/ref=pd_day0_9/262-8673280-5141250?pd_rd_w=bstBw&pf_rd_p=f861b6a5%E2%80%A6 (Year: 2019).*

WALL 3215 Tilting TV Wall Mount, first available 2018, vogels.com, [online], [site visited Oct. 19, 2021], Available from internet URL: <https://www.vogels.com/en-us/c/wall-series-tilting?product=4161> (Year: 2018).*

* cited by examiner

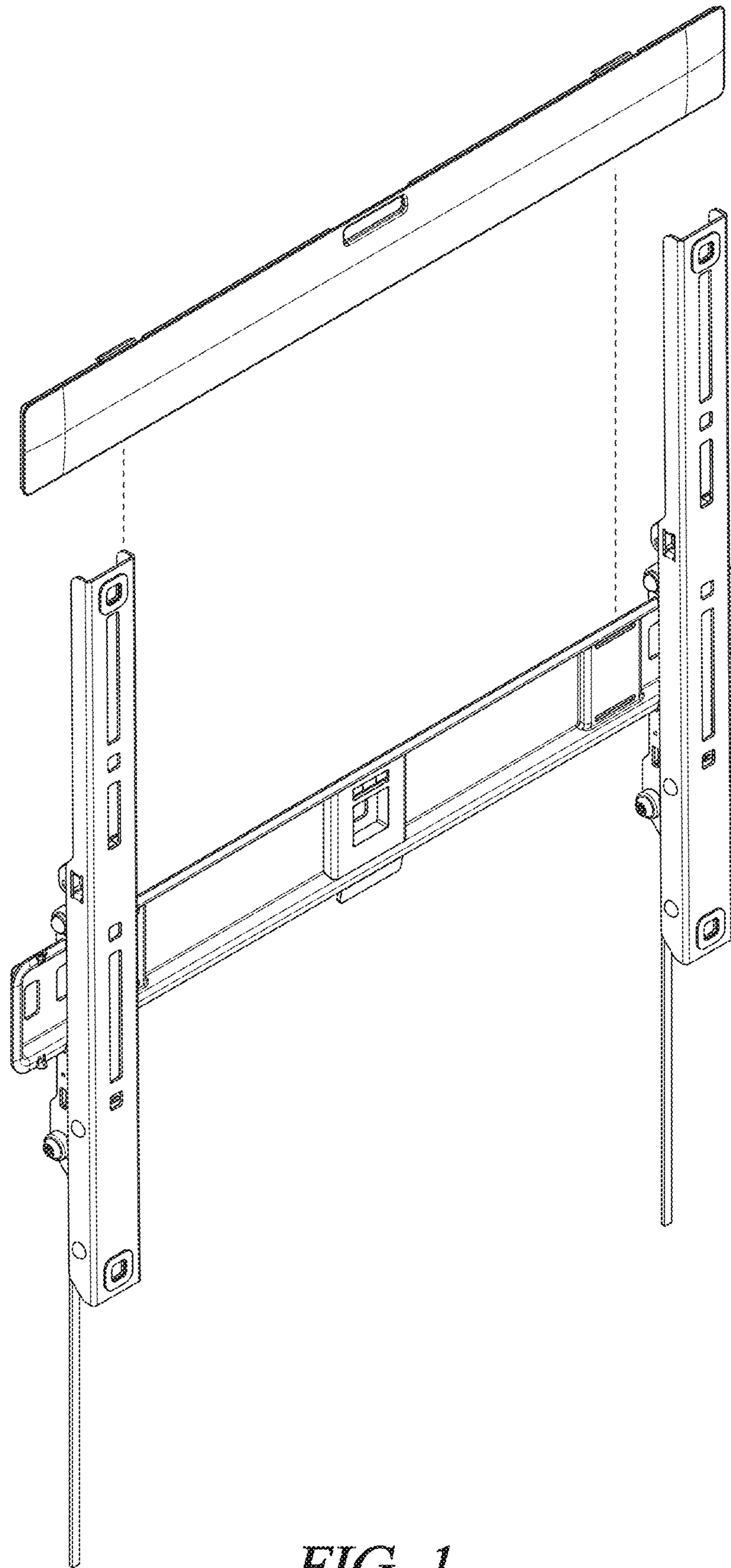


FIG. 1

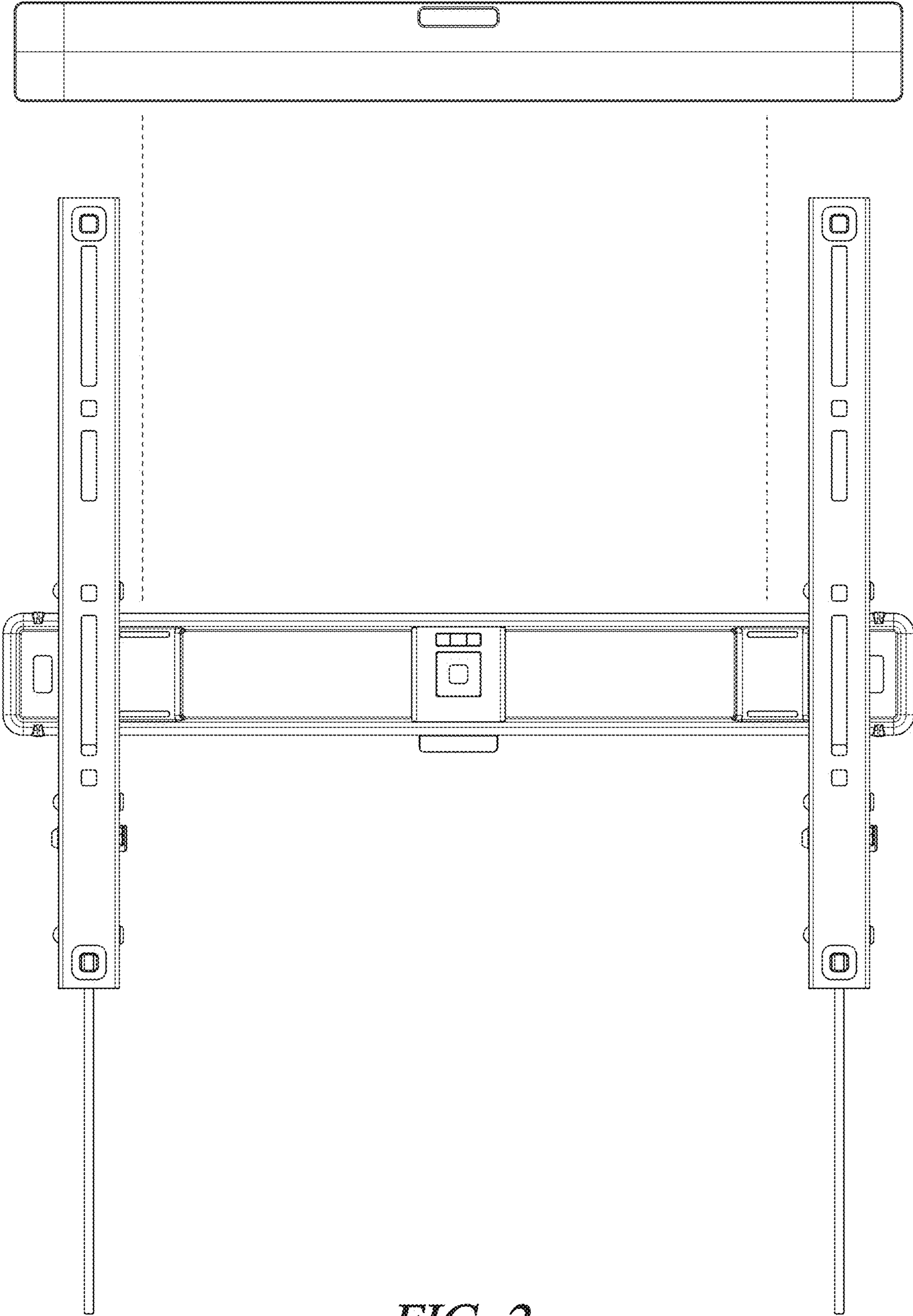


FIG. 2

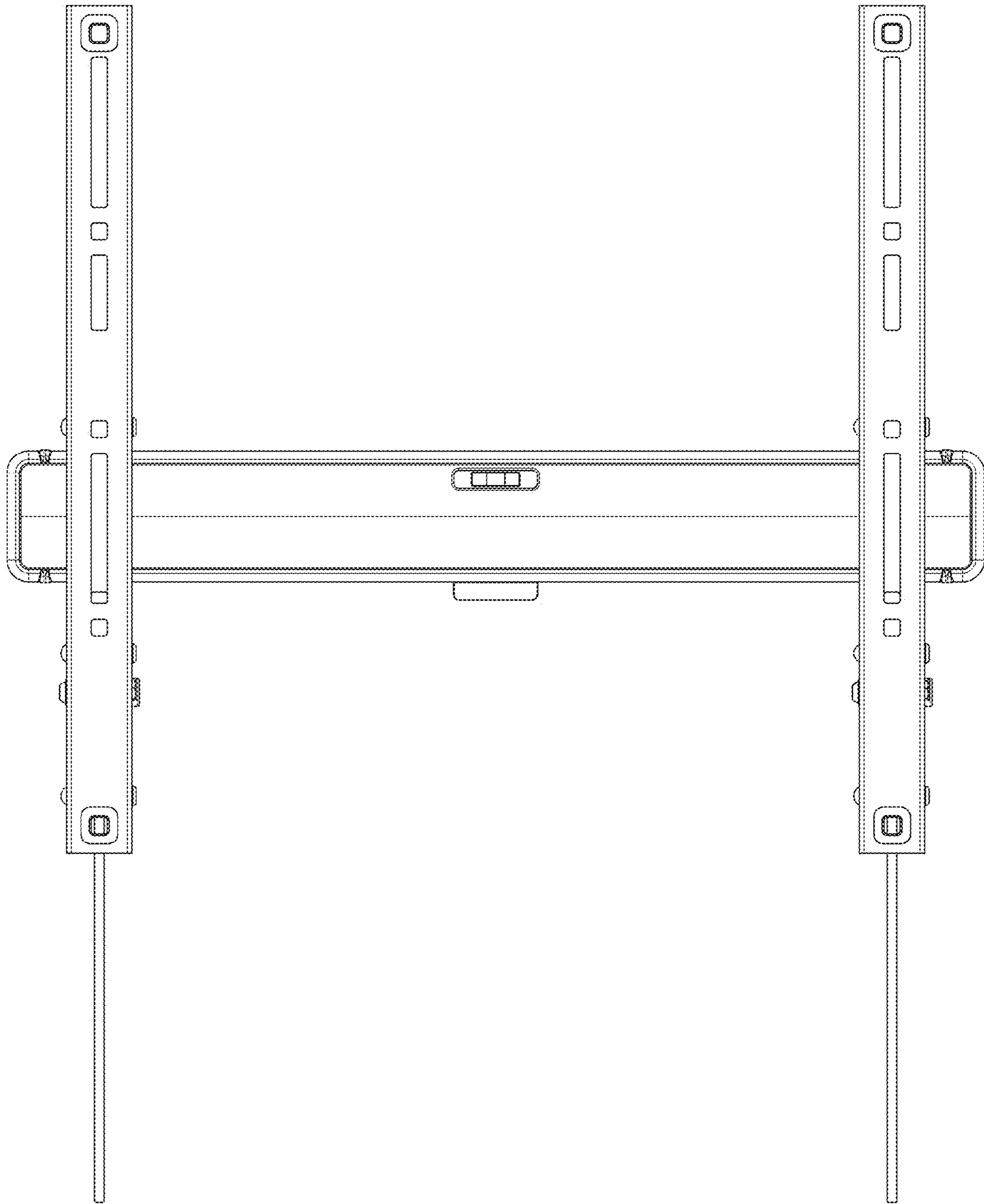


FIG. 3

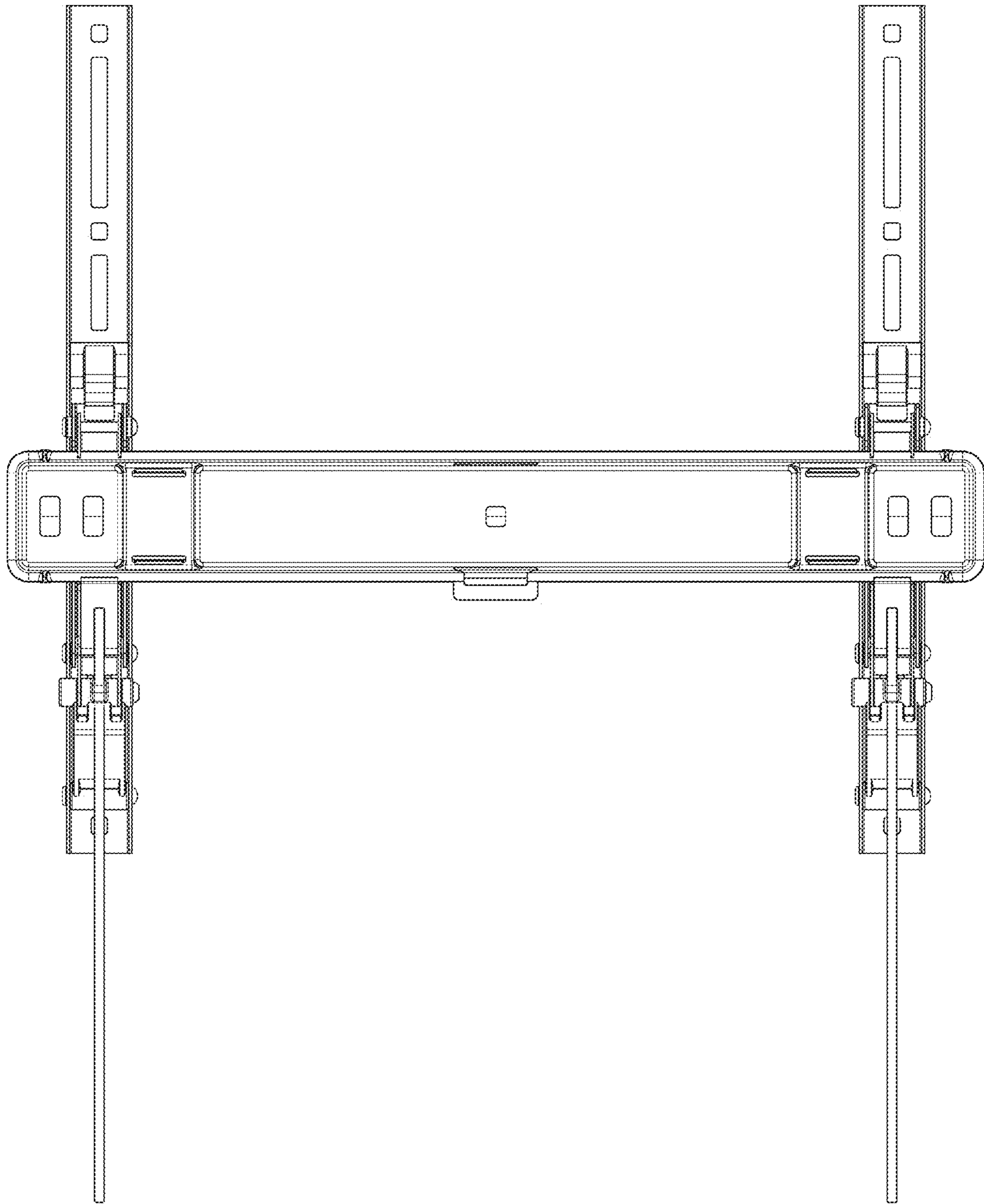


FIG. 4

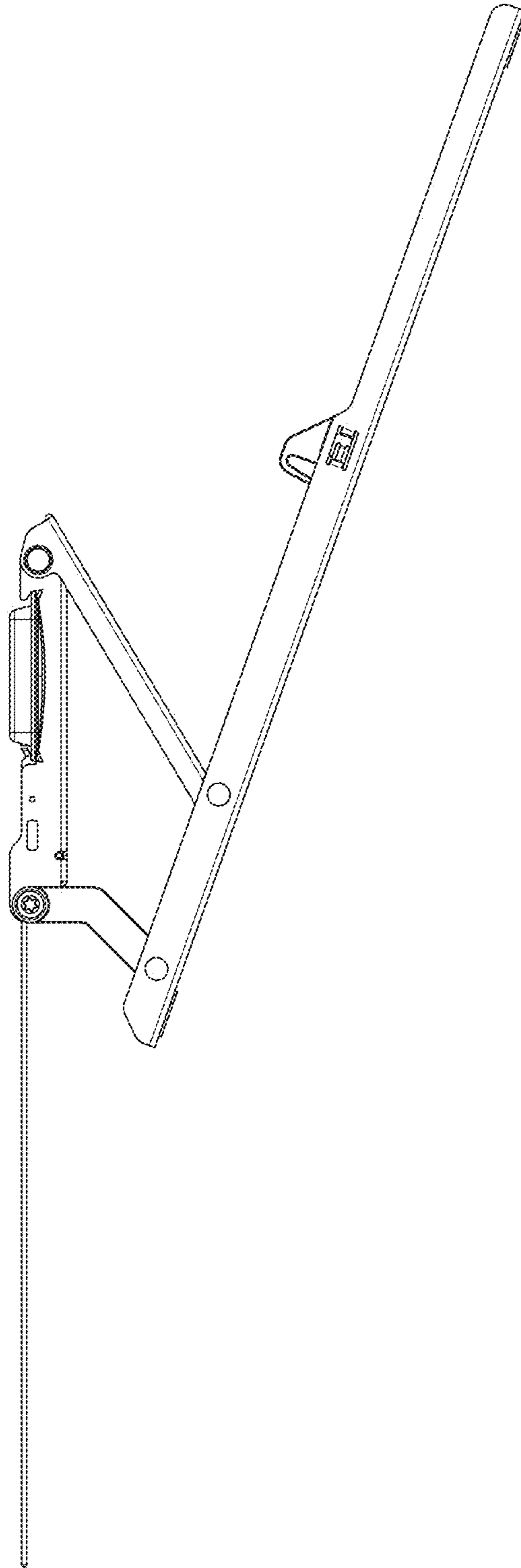


FIG. 5

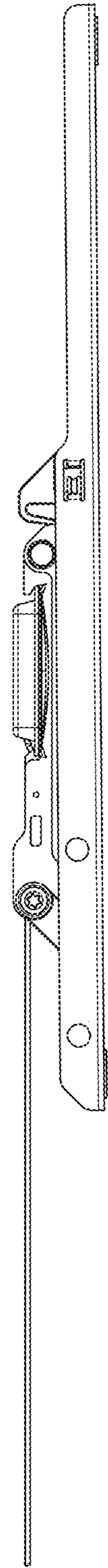


FIG. 6