



US00D950529S

(12) **United States Design Patent**
Bohnen et al.

(10) **Patent No.:** **US D950,529 S**
(45) **Date of Patent:** **** May 3, 2022**

(54) **WALL MOUNT TILT SUPPORT**

FOREIGN PATENT DOCUMENTS

(71) Applicant: **Vogel's Holding B.V.**, Eindhoven (NL)

EM 002127951-0001 * 10/2012

(72) Inventors: **Martijn Bohnen**, Roermond (NL);
Saskia Smits, Helmond (NL); **Ben Timmermans**, Deurne (NL)

OTHER PUBLICATIONS

(73) Assignee: **Vogel's IP B.V.**

THIN 415 Extra Thin Tilting TV Wall Mount, first available 2020, vogels.com/, [online], [site visited Oct. 19, 2021], Available from internet URL: <https://www.vogels.com/en-us/c/thin-series-tilting?product=4011> (Year: 2020).*

(**) Term: **15 Years**

(Continued)

(21) Appl. No.: **29/750,780**

Primary Examiner — Samantha Q Lawrence

(22) Filed: **Sep. 16, 2020**

Assistant Examiner — Holly M Rodriguez

(51) **LOC (13) Cl.** **14-03**

(74) *Attorney, Agent, or Firm* — Miller & Martin PLLC

(52) **U.S. Cl.**

USPC **D14/239**

(58) **Field of Classification Search**

USPC D14/204, 209.1, 211, 221, 224–225,
D14/227–228, 239, 371, 372, 373, 374,
D14/447–452, 125, 127, 128, 129,
D14/335–337, 375, 376, 377, 341, 126;
D8/355, 363, 373; D6/672, 682
CPC F16M 11/2085; F16M 11/2092; F16M
11/2007; F16M 11/2014; F16M 11/2021;
F16M 11/105; F16M 11/10; F16M
11/048; F16M 11/12; F16M 13/022;
H04R 9/06; H04R 1/24; H04R 11/02;
H04R 2400/00

See application file for complete search history.

(57) **CLAIM**

The ornamental design for the wall mount tilt support, as shown and described.

DESCRIPTION

FIG. 1 is a top front left perspective view of the wall mount tilt support with the tilt arms extended;
FIG. 2 is a top front left perspective view of the wall mount tilt support shown in FIG. 1 with the tilt arms in an upright position;
FIG. 3 is a front plan view of the wall mount tilt support shown in FIG. 2;
FIG. 4 is a rear plan view of the wall mount tilt support shown in FIG. 2;
FIG. 5 is a left plan view of the wall mount tilt support shown in FIG. 1 with the tilt arms extended, the right plan view being a mirror image thereof; and,
FIG. 6 is a left plan view of the wall mount tilt support shown in FIG. 2 with the tilt arms in an upright position, the right plan view being a mirror image thereof.

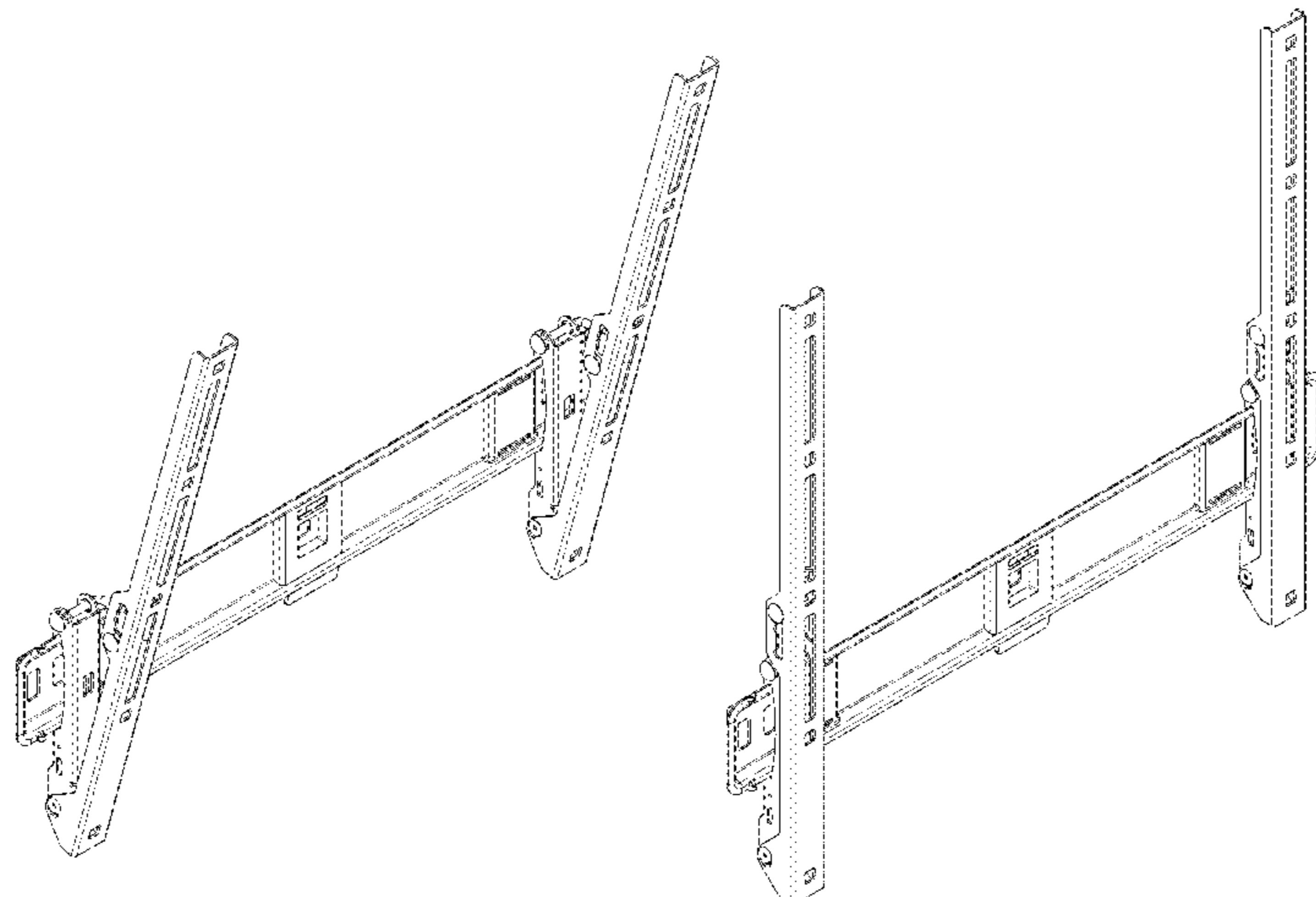
(56) **References Cited**

U.S. PATENT DOCUMENTS

D493,800 S *	8/2004	Pfister	D14/451
D540,154 S *	4/2007	Bremmon	D8/363
D563,416 S *	3/2008	Bremmon	D14/452
D565,054 S *	3/2008	Anderson	D14/452
D585,449 S *	1/2009	Anderson	D14/451
D633,505 S *	3/2011	van Alphen	D14/451
8,262,044 B2 *	9/2012	Luijben	F16M 11/10 248/276.1
2002/0179791 A1 *	12/2002	Kwon	G06F 1/1601 248/284.1

(Continued)

1 Claim, 6 Drawing Sheets



(56)

References Cited

U.S. PATENT DOCUMENTS

2021/0059413 A1* 3/2021 Pei F16M 11/10

OTHER PUBLICATIONS

Wall 3215 Tilting TV Wall Mount, first available 2018, vogels.com, [online], [site visited Oct. 19, 2021], Available from internet URL: <https://www.vogels.com/en-us/c/wall-series-tilting?product=4161> (Year: 2018).*

* cited by examiner

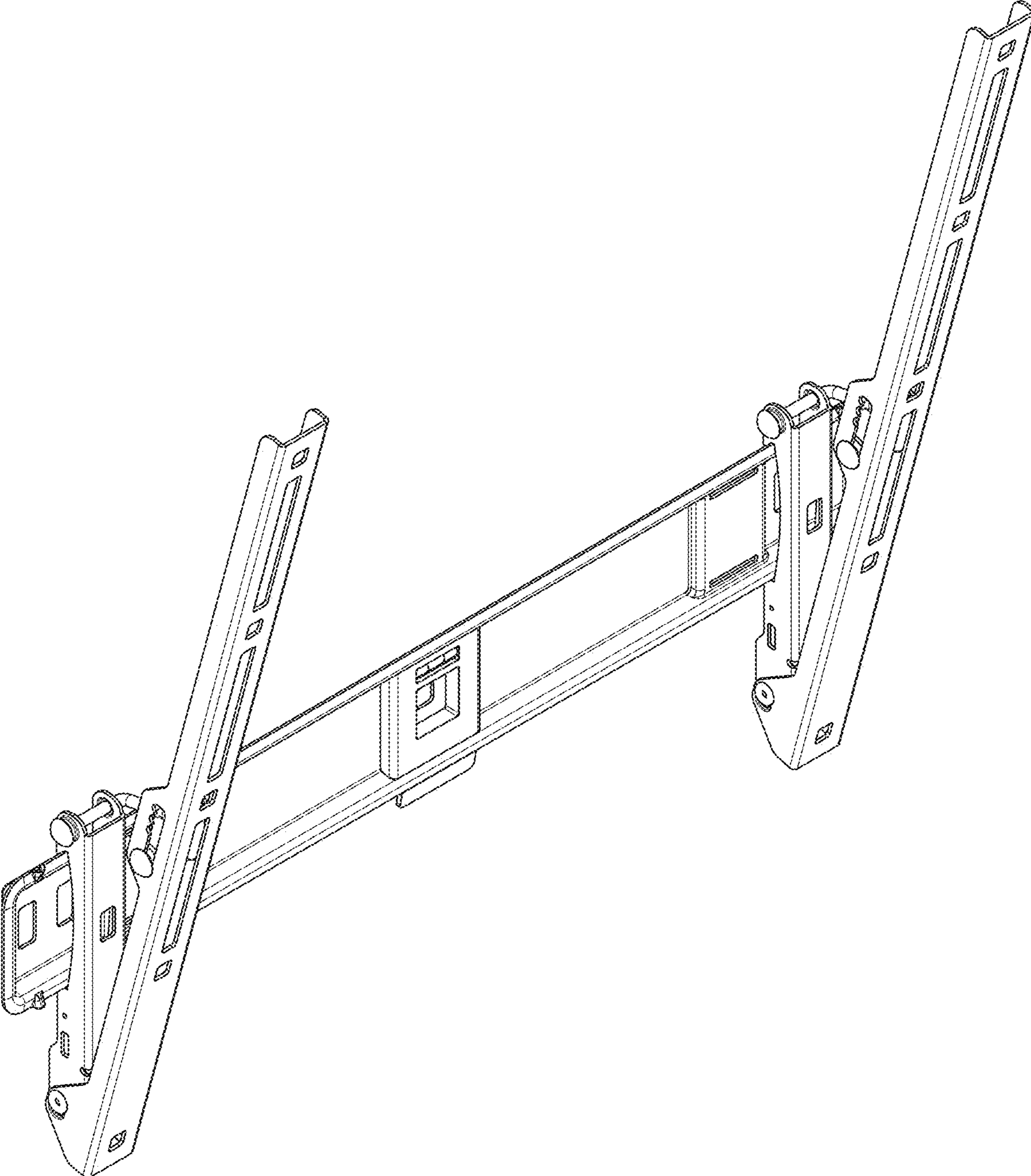


FIG. 1

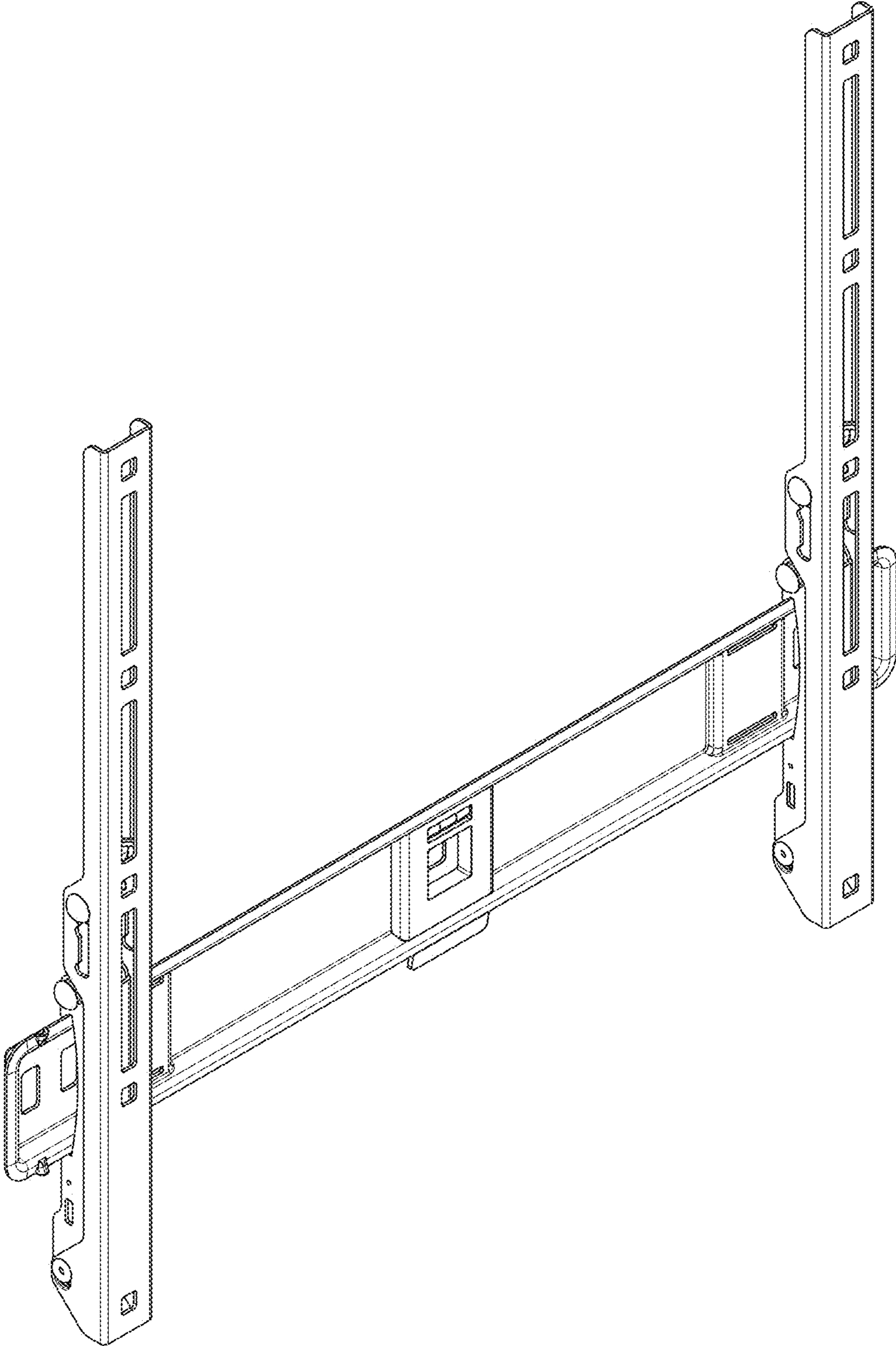


FIG. 2

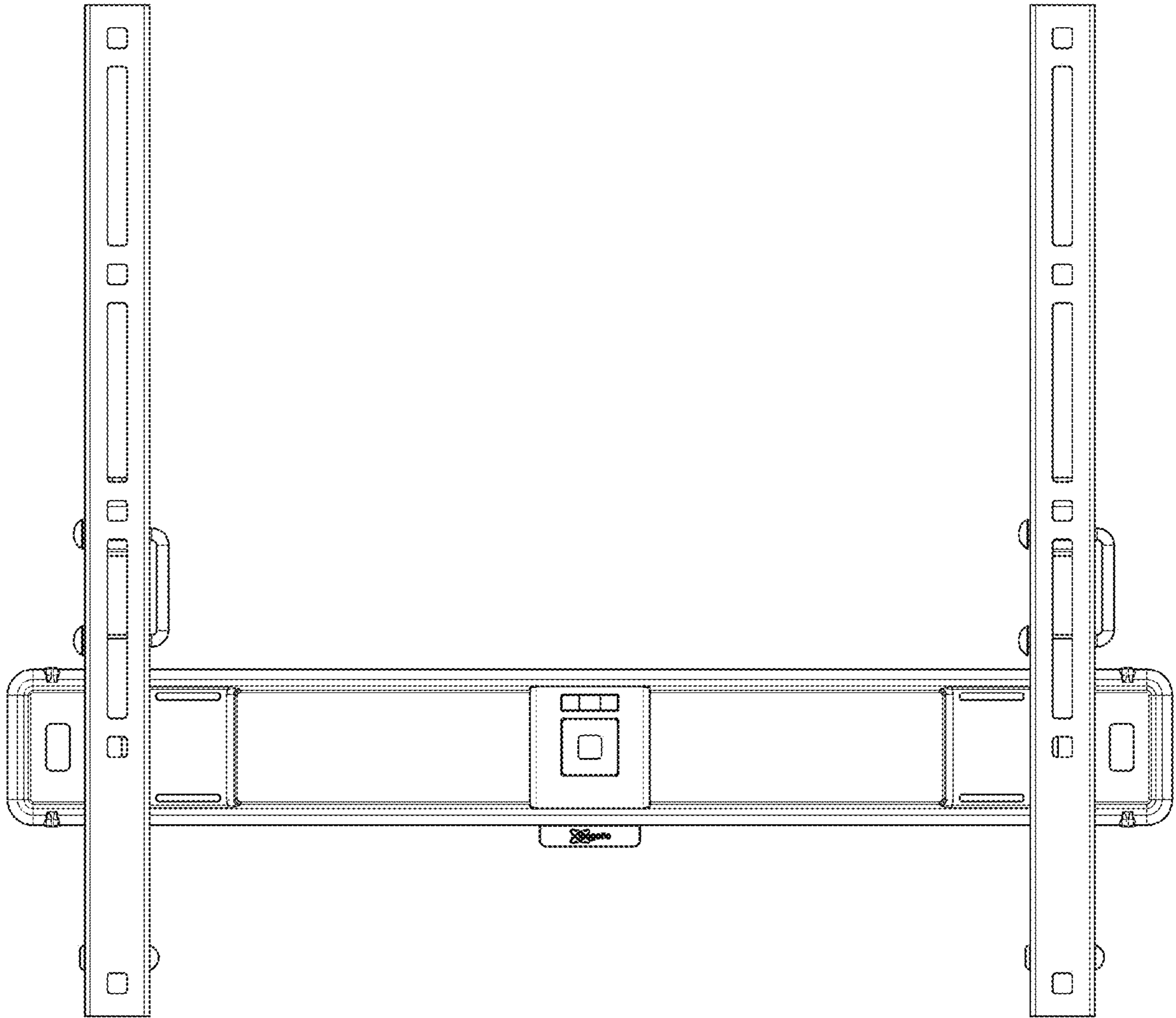


FIG. 3

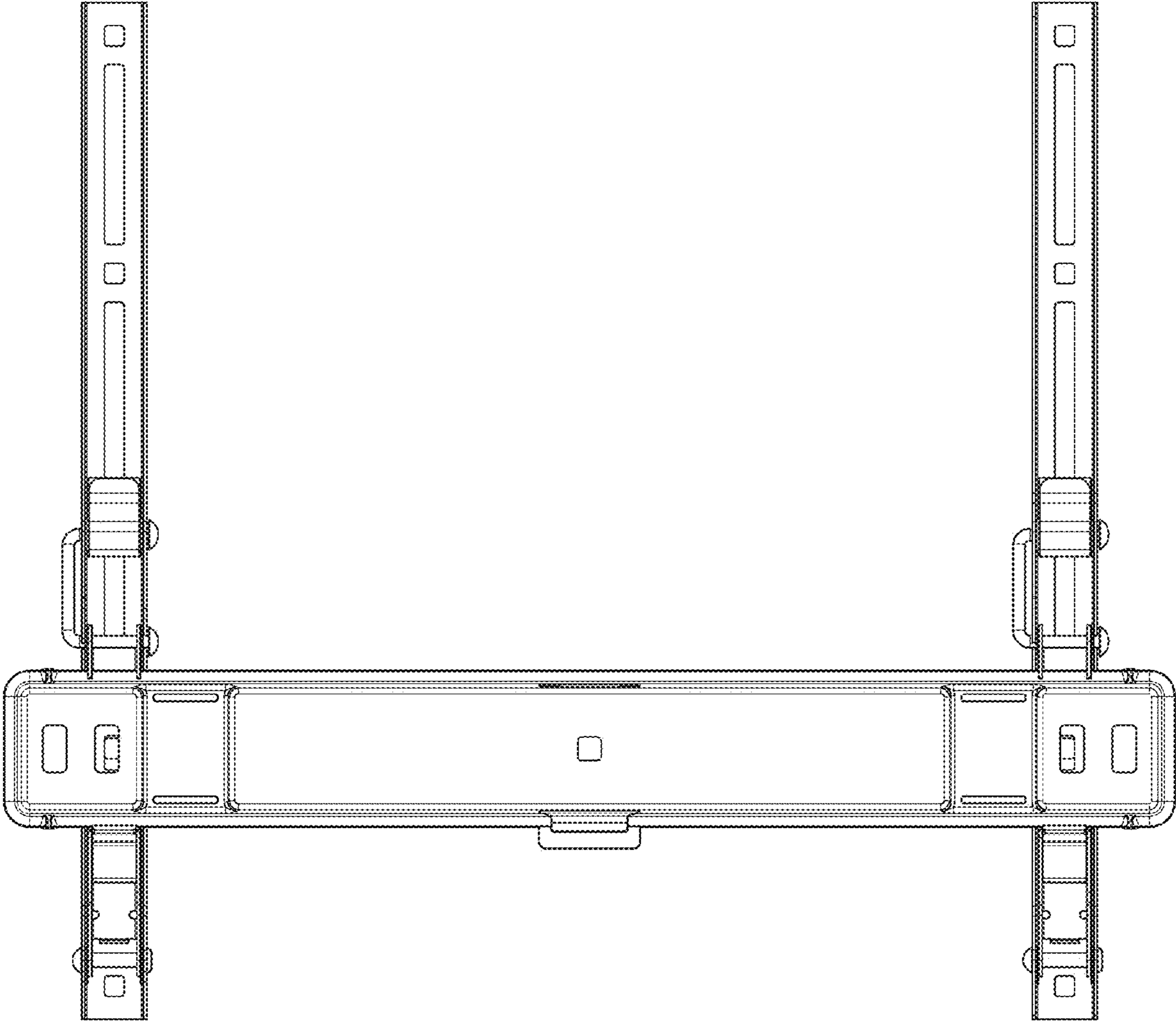


FIG. 4

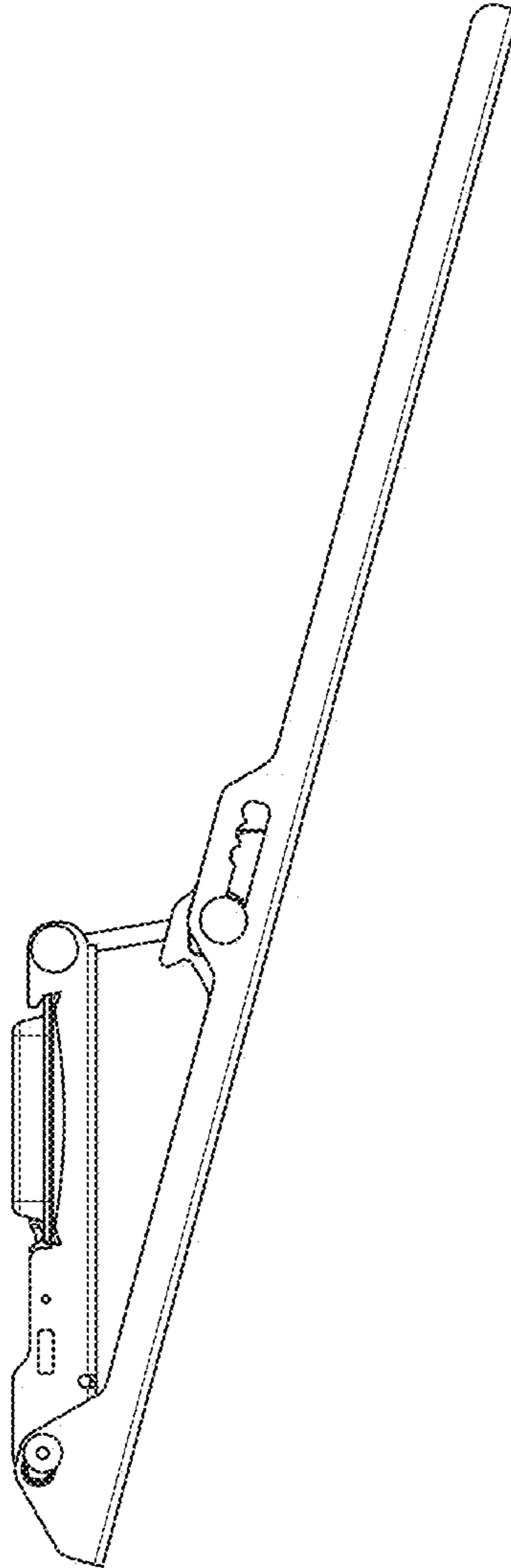


FIG. 5



FIG. 6