



US00D950528S

(12) **United States Design Patent** (10) **Patent No.:** **US D950,528 S**
Bohnen et al. (45) **Date of Patent:** **** May 3, 2022**

(54) **WALL MOUNT SUPPORT**

FOREIGN PATENT DOCUMENTS

(71) Applicant: **Vogel's Holding B.V.**, Eindhoven (NL)

EM 002127951-0001 * 11/2012

(72) Inventors: **Martijn Bohnen**, Roermond (NL);
Saskia Smits, Helmond (NL); **Ben Timmermans**, Deurne (NL)

OTHER PUBLICATIONS

(73) Assignee: **Vagel's IP B.V.**

One For All Ultra Slim TV Wall Bracket Mount, first available Apr. 10, 2020, amazon.com, [online], [site visited Oct. 19, 2021], Available from internet URL: [https://www.amazon.com/dp/B01M3TU0CC?CID=dotcom_source&ascsubtag=s1634661324162hioxa52619&tag=52619_iceleadscom-20&linkCode=o%E2%80%A6\(Year: 2020\).](https://www.amazon.com/dp/B01M3TU0CC?CID=dotcom_source&ascsubtag=s1634661324162hioxa52619&tag=52619_iceleadscom-20&linkCode=o%E2%80%A6(Year: 2020).)*
Vogel's WALL 3305 ultra strong flat TV, first available Aug. 29, 2018, amazon.ae, [online], [site visited Oct. 19, 2021], Available from internet URL: [https://www.amazon.ae/Vogels-WALL-3305-Universal-compatibility/dp/B076PHNTWG/ref=pd_sbs_7/262-8673280-5141250?pd_rd_w=ISwqM&pf_rd_%E2%80%A6=undefined&th=1\(Year: 2018\).](https://www.amazon.ae/Vogels-WALL-3305-Universal-compatibility/dp/B076PHNTWG/ref=pd_sbs_7/262-8673280-5141250?pd_rd_w=ISwqM&pf_rd_%E2%80%A6=undefined&th=1(Year: 2018).)*
WALL 3205 Fixed TV Wall Mount, first available 2018, vogels.com, [online], [site visited Oct. 19, 2021], Available from internet URL: [https://www.vogels.com/en-us/c/wall-series-fixed?product=4158\(Year: 2018\).](https://www.vogels.com/en-us/c/wall-series-fixed?product=4158(Year: 2018).)*

(**) Term: **15 Years**

(21) Appl. No.: **29/750,774**

(22) Filed: **Sep. 16, 2020**

(51) **LOC (13) Cl.** **14-03**

(52) **U.S. Cl.**
USPC **D14/239**

(58) **Field of Classification Search**

USPC D14/204, 209.1, 211, 221, 224-225,
D14/227-228, 239, 371, 372, 373, 374,
D14/447-452, 125, 127, 128, 129,
D14/335-337, 375, 376, 377, 341, 126;
D8/355, 363, 373; D6/672, 682
CPC F16M 11/2085; F16M 11/2092; F16M
11/2007; F16M 11/2014; F16M 11/2021;
F16M 11/105; F16M 11/10; F16M
11/048; F16M 11/12; F16M 13/022;
H04R 9/06; H04R 1/24; H04R 11/02;
H04R 2400/00

See application file for complete search history.

* cited by examiner

Primary Examiner — Samantha Q Lawrence
Assistant Examiner — Holly M Rodriguez
(74) *Attorney, Agent, or Firm* — Miller & Martin PLLC

(57) **CLAIM**

The ornamental design for the wall mount support, as shown and described.

DESCRIPTION

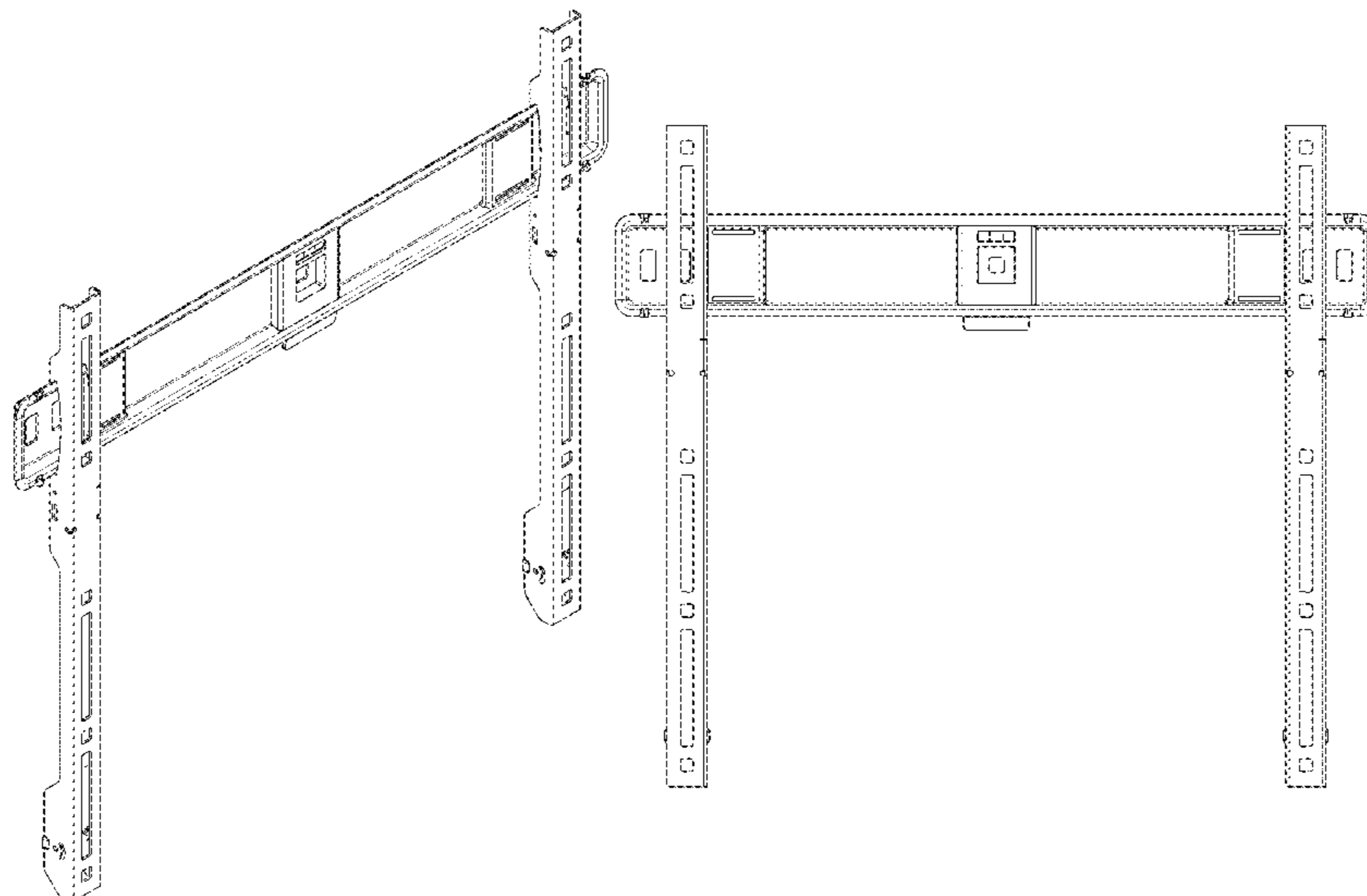
(56) **References Cited**

U.S. PATENT DOCUMENTS

D493,800 S * 8/2004 Pfister D14/451
D517,085 S * 3/2006 Deuschle D14/451
D570,199 S * 6/2008 Bremmon D8/363
D588,118 S * 3/2009 Townsend D14/239
D671,922 S * 12/2012 Sexton D14/239
D853,403 S * 7/2019 Lyu D14/451
D905,070 S * 12/2020 Pei D14/451
2021/0059413 A1 * 3/2021 Pei F16M 11/10

FIG. 1 is a top front left perspective view of the wall mount support;
FIG. 2 is a front plan view of the wall mount support shown in FIG. 1;
FIG. 3 is a rear plan view of the wall mount support shown in FIG. 1; and,
FIG. 4 is a left plan view of the wall mount support shown in FIG. 1, the right plan view being a mirror image thereof.

1 Claim, 4 Drawing Sheets



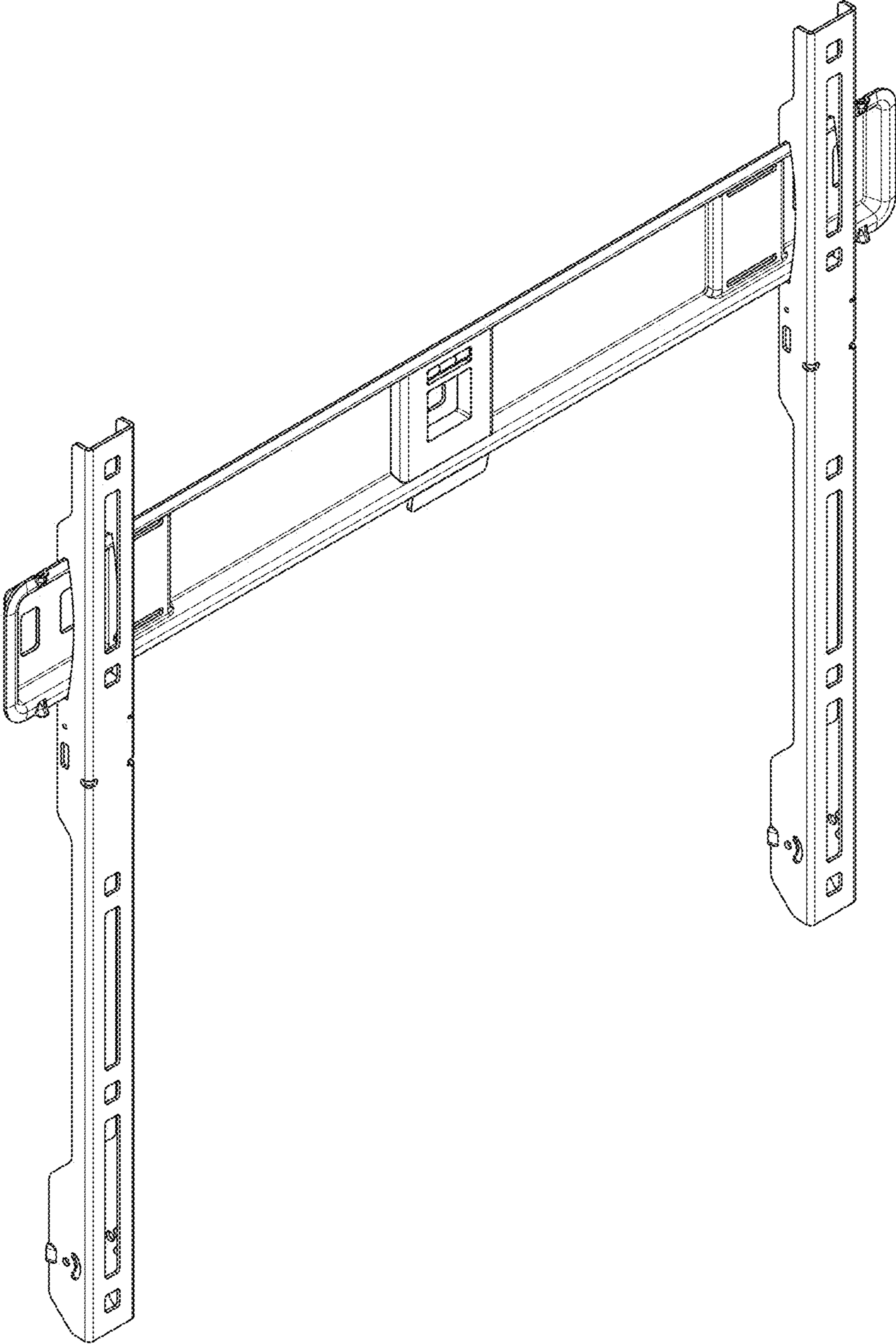


FIG. 1

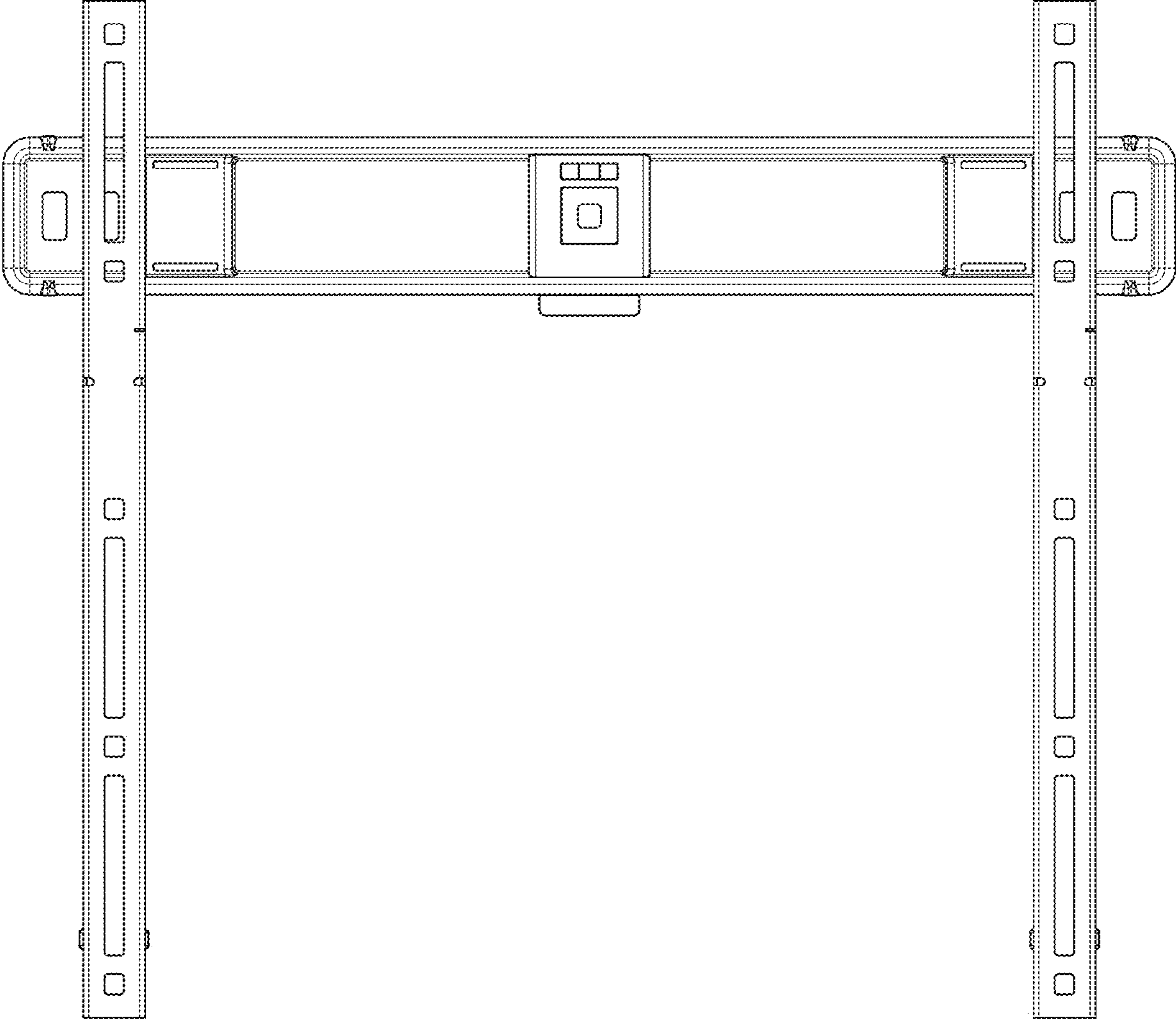


FIG. 2

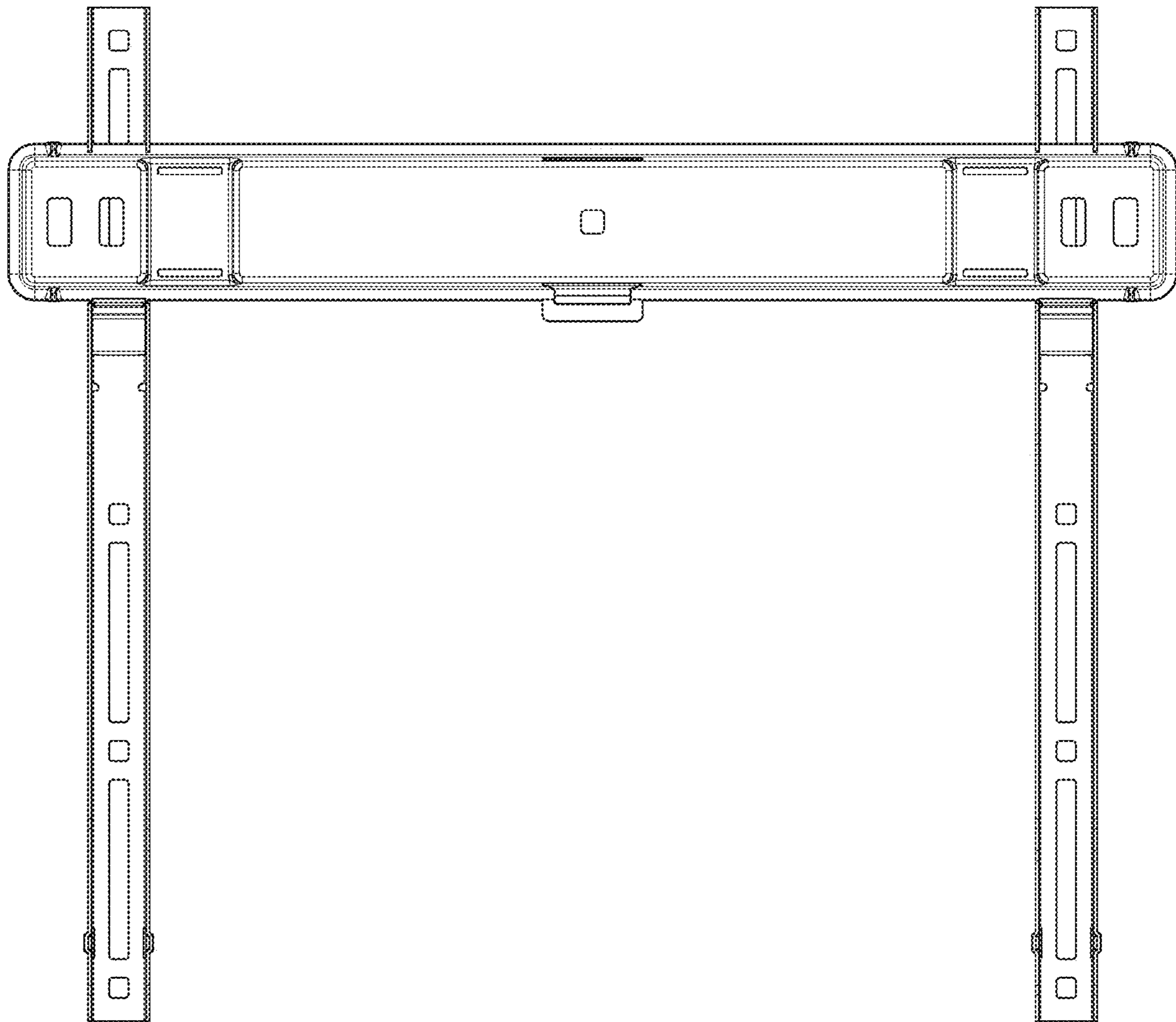


FIG. 3

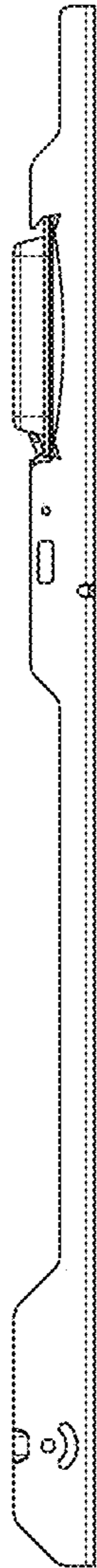


FIG. 4