



US00D950527S

(12) **United States Design Patent** (10) **Patent No.:** **US D950,527 S**
Baiz et al. (45) **Date of Patent:** **** May 3, 2022**

(54) **LAND VEHICLE ANTENNA**

FOREIGN PATENT DOCUMENTS

(71) Applicants: **Enrique J. Baiz**, Davie, FL (US);
Oswaldo Izquierdo, Homestead, FL
(US)

CN 301840648 * 2/2012
CN 306826082 * 9/2014

(Continued)

(72) Inventors: **Enrique J. Baiz**, Davie, FL (US);
Oswaldo Izquierdo, Homestead, FL
(US)

OTHER PUBLICATIONS

[1 Piece Moab Mother of All Bombs Bullet Style Aluminum Short Antenna Kit Black, Green, Gun Metal or Red Finish 5.5" Inches Long], available in vmsracing.com, announced 2020 [online], [site visited Nov. 10, 2021], Internet URL: web.archive.org/web/20200921001459/https://www.vmsracing.com/products (Year: 2020).*

(Continued)

(**) Term: **15 Years**

(21) Appl. No.: **29/673,930**

(22) Filed: **Dec. 18, 2018**

Primary Examiner — Daniel J Domino

Assistant Examiner — Samina Vieth

(51) **LOC (13) Cl.** **14-03**

(74) *Attorney, Agent, or Firm* — QuickPatents, Inc.;
Kevin Prince

(52) **U.S. Cl.**

USPC **D14/230**

(58) **Field of Classification Search**

USPC D14/230, 232; D21/572, 573; D22/103,
D22/108

CPC H01Q 1/32; H01Q 1/3208; H01Q 1/3205;
H01Q 1/325; H01Q 1/3266; H01Q
1/3283

See application file for complete search history.

(57) **CLAIM**

The ornamental design for a land vehicle antenna, as shown and described.

DESCRIPTION

(56) **References Cited**

U.S. PATENT DOCUMENTS

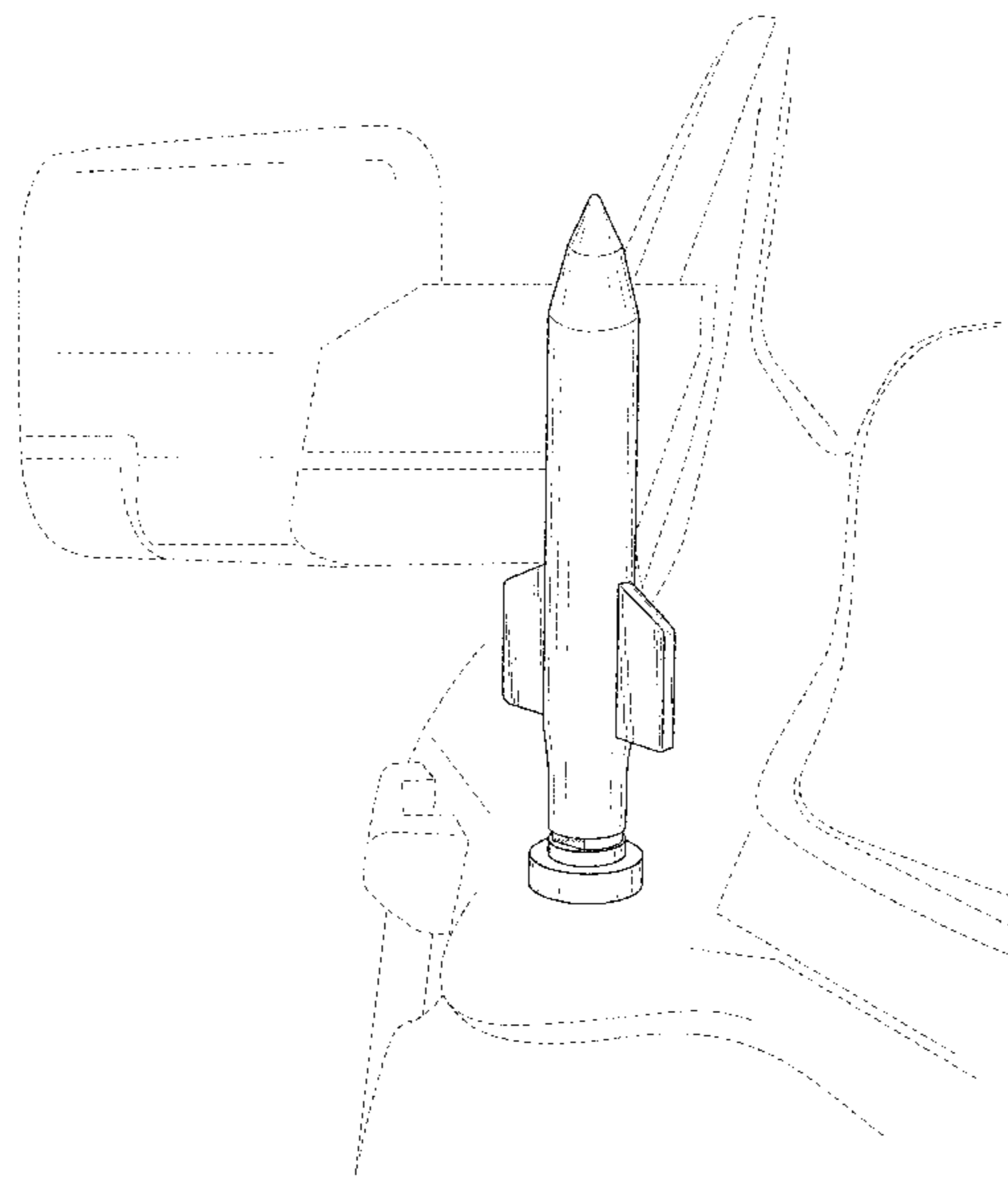
3,172,113 A * 3/1965 Heinard H01Q 1/286
343/771
D272,639 S * 2/1984 Lee D21/387
D321,693 S * 11/1991 Mailandt D14/234
D325,384 S * 4/1992 Cooper D14/234
D325,385 S * 4/1992 Cooper D14/234
D562,411 S * 2/2008 Jones D21/387
D591,735 S * 5/2009 Huckeby D14/232
8,077,099 B1 * 12/2011 Wesh H01Q 5/35
343/705

FIG. 1 is a reduced top perspective view of a land vehicle antenna, showing our new design;
FIG. 2 is a front elevational view thereof, the rear elevational view being a mirror image thereof;
FIG. 3 is a left-side elevational view thereof, the right-side elevational view being a mirror image thereof;
FIG. 4 is an enlarged top plan view thereof;
FIG. 5 is an enlarged bottom plan view thereof;
FIG. 6 is a reduced bottom perspective view thereof;
FIG. 7 is a cross-sectional view thereof, taken along line 7-7 of FIG. 4; and,
FIG. 8 is a cross-sectional view thereof, taken along line 8-8 of FIG. 3.

The broken lines showing a vehicle in FIG. 1 depict environmental matter and form no part of the claimed design.

(Continued)

1 Claim, 3 Drawing Sheets



(56)

References Cited

U.S. PATENT DOCUMENTS

8,125,398 B1 * 2/2012 Paulsen F41G 7/346
 343/705
 8,138,982 B1 * 3/2012 West H01Q 13/10
 343/705
 8,159,403 B1 * 4/2012 Chen H01Q 21/205
 343/705
 D696,231 S * 12/2013 Konishi D14/230
 8,963,786 B2 * 2/2015 Kowalewicz H01Q 11/08
 343/713
 D741,300 S * 10/2015 Yohai-Giochais D14/230
 D780,876 S * 3/2017 Boatright D22/116
 D792,077 S * 7/2017 Denet D2/966
 D832,718 S * 11/2018 Aboabdo D9/680
 D870,842 S * 12/2019 Fitzsimonds F42B 10/44
 D22/116
 D874,445 S * 2/2020 Petros D14/230
 D878,178 S * 3/2020 Cheng D8/47
 D891,403 S * 7/2020 Emerick D14/230
 D896,316 S * 9/2020 Johnson D21/387
 D896,801 S * 9/2020 Baiz D14/232
 D897,323 S * 9/2020 Baiz D14/230

10,784,560 B1 * 9/2020 Baiz H01Q 1/106
 D900,242 S * 10/2020 Ramirez D21/448
 D900,243 S * 10/2020 Ramirez D21/448
 10,819,003 B1 * 10/2020 Baiz H01Q 1/3275
 D905,176 S * 12/2020 Ramirez D21/448
 2010/0263565 A1 * 10/2010 Hugus, IV F42B 12/44
 102/364
 2020/0328514 A1 * 10/2020 Pasko H01Q 1/3283
 2021/0305709 A1 * 9/2021 Goldberg H01Q 11/105

FOREIGN PATENT DOCUMENTS

CN 303378620 * 9/2015
 CN 304894255 * 11/2018
 CN 305890923 * 6/2020

OTHER PUBLICATIONS

[1999-2020 Ford F250 F350 Super Duty 5.5" Billet MOAB AM FM Radio Antenna Black], available at ebay.com, announced Dec. 2019 [online], [site visited Nov. 10, 2021], Internet URL: <https://www.ebay.com/itm/233437242962> (Year: 2020).*

* cited by examiner

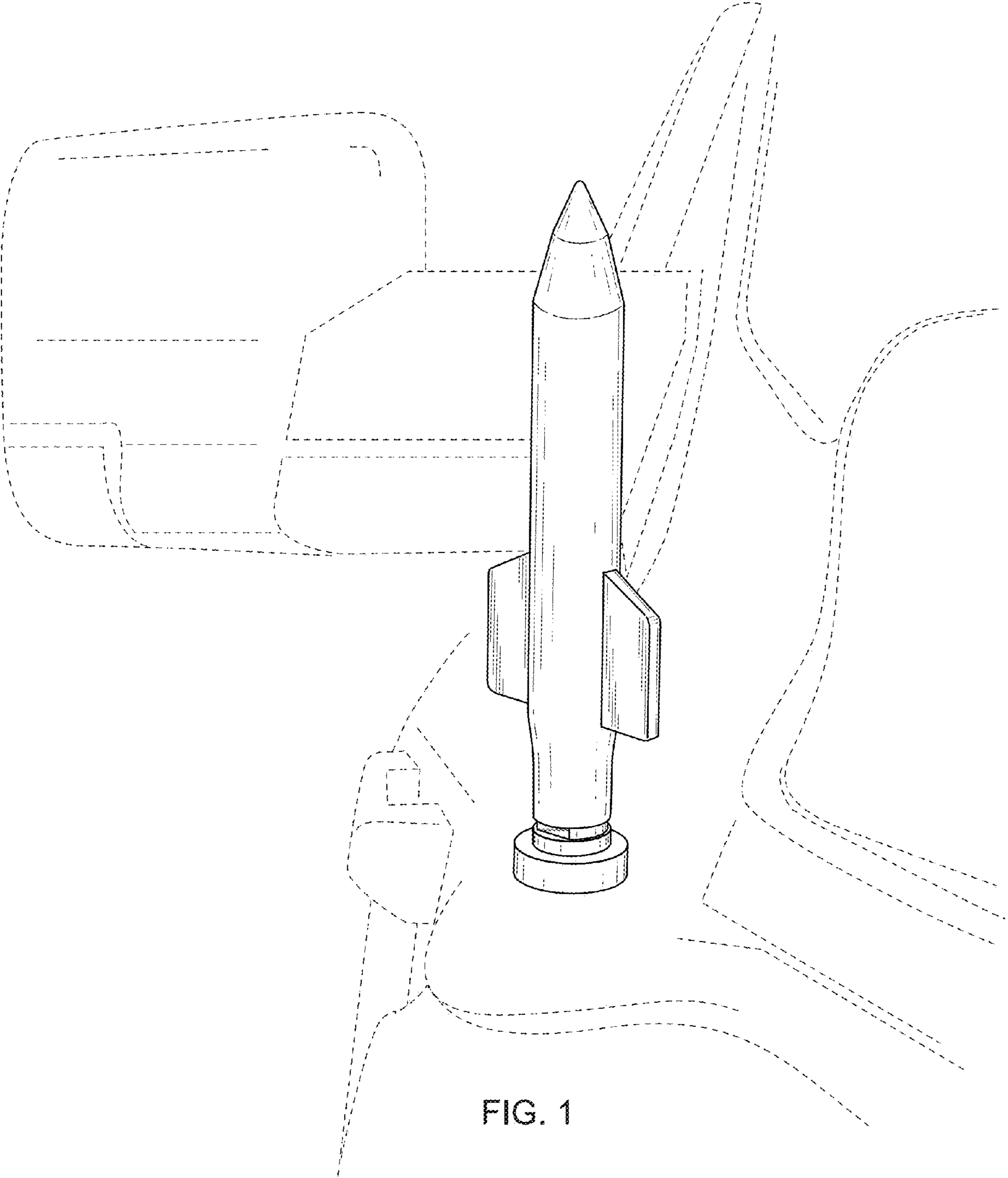


FIG. 1

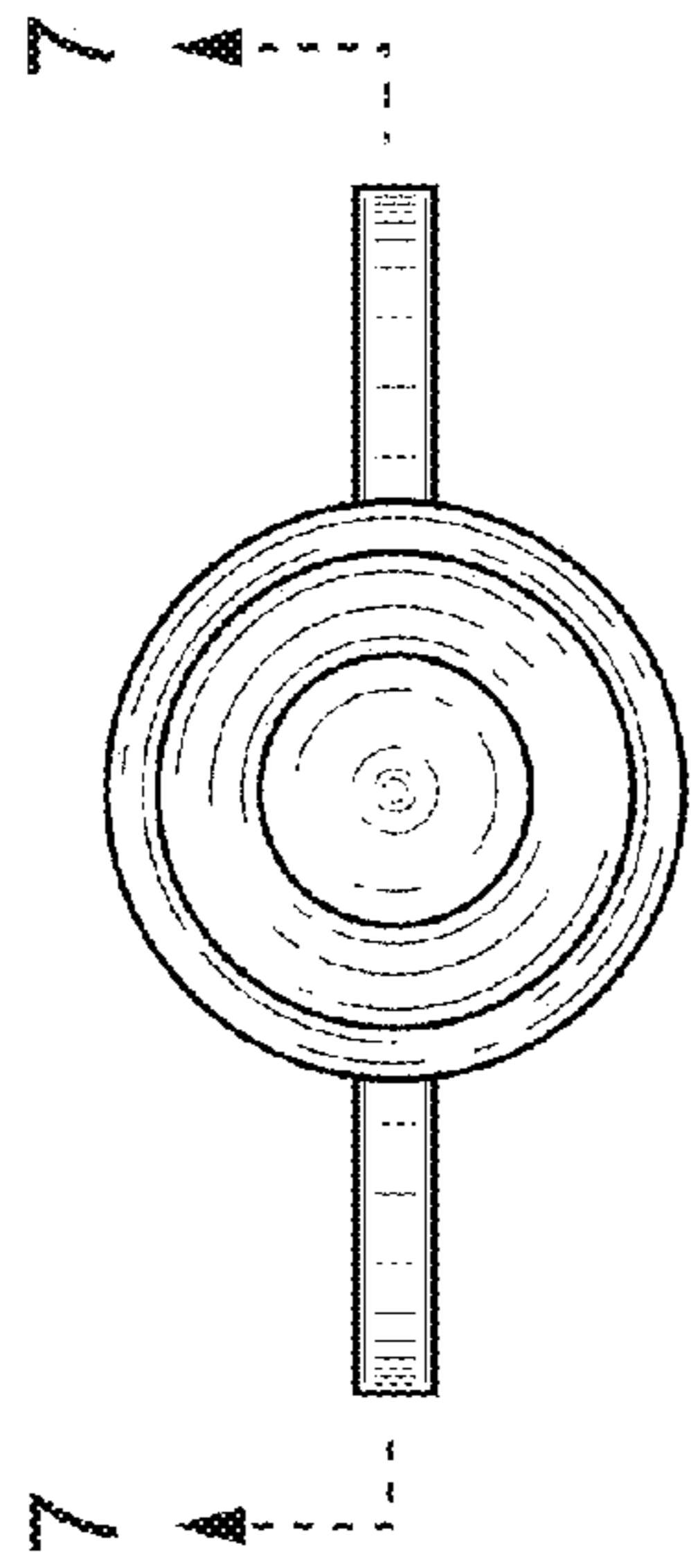
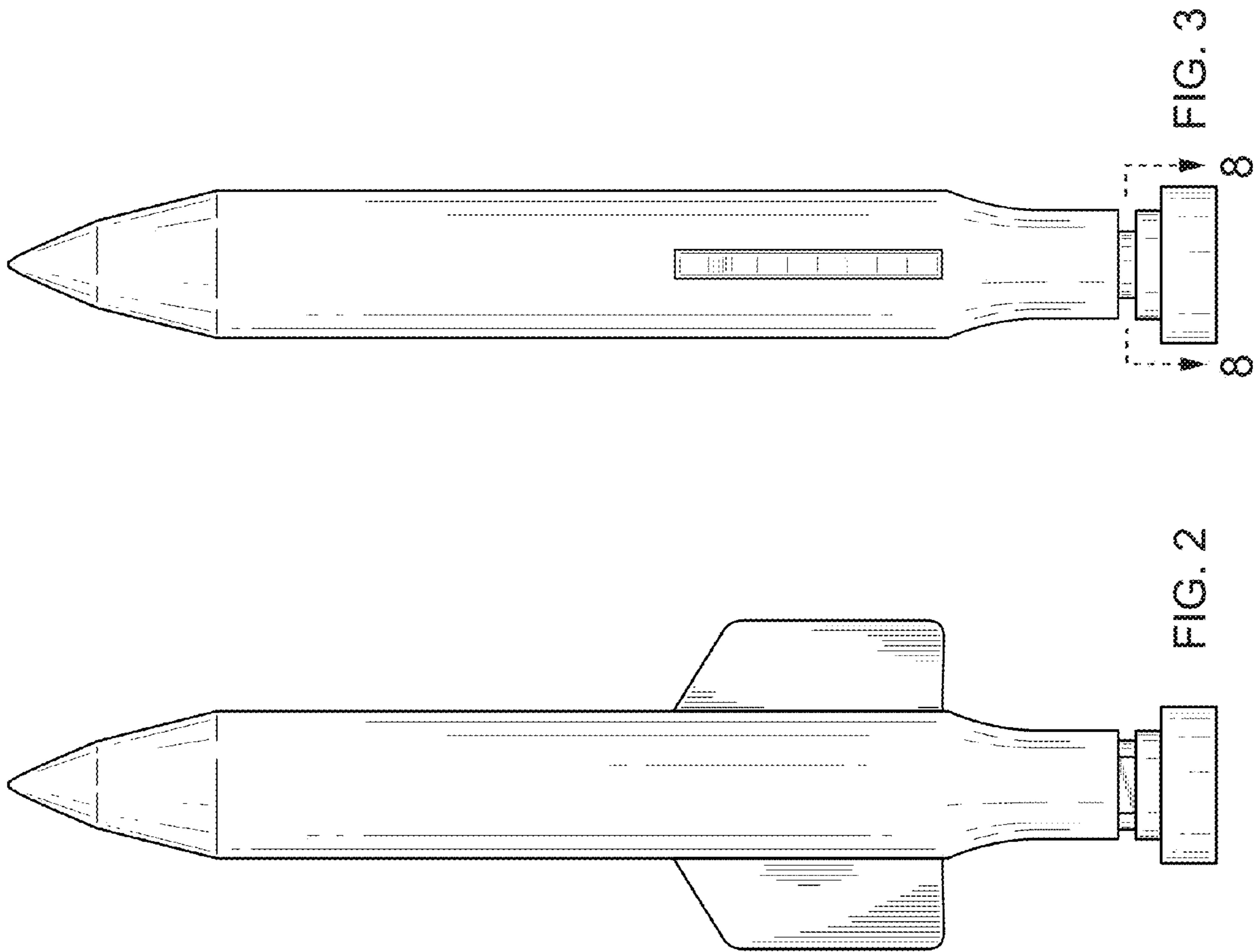


FIG. 4

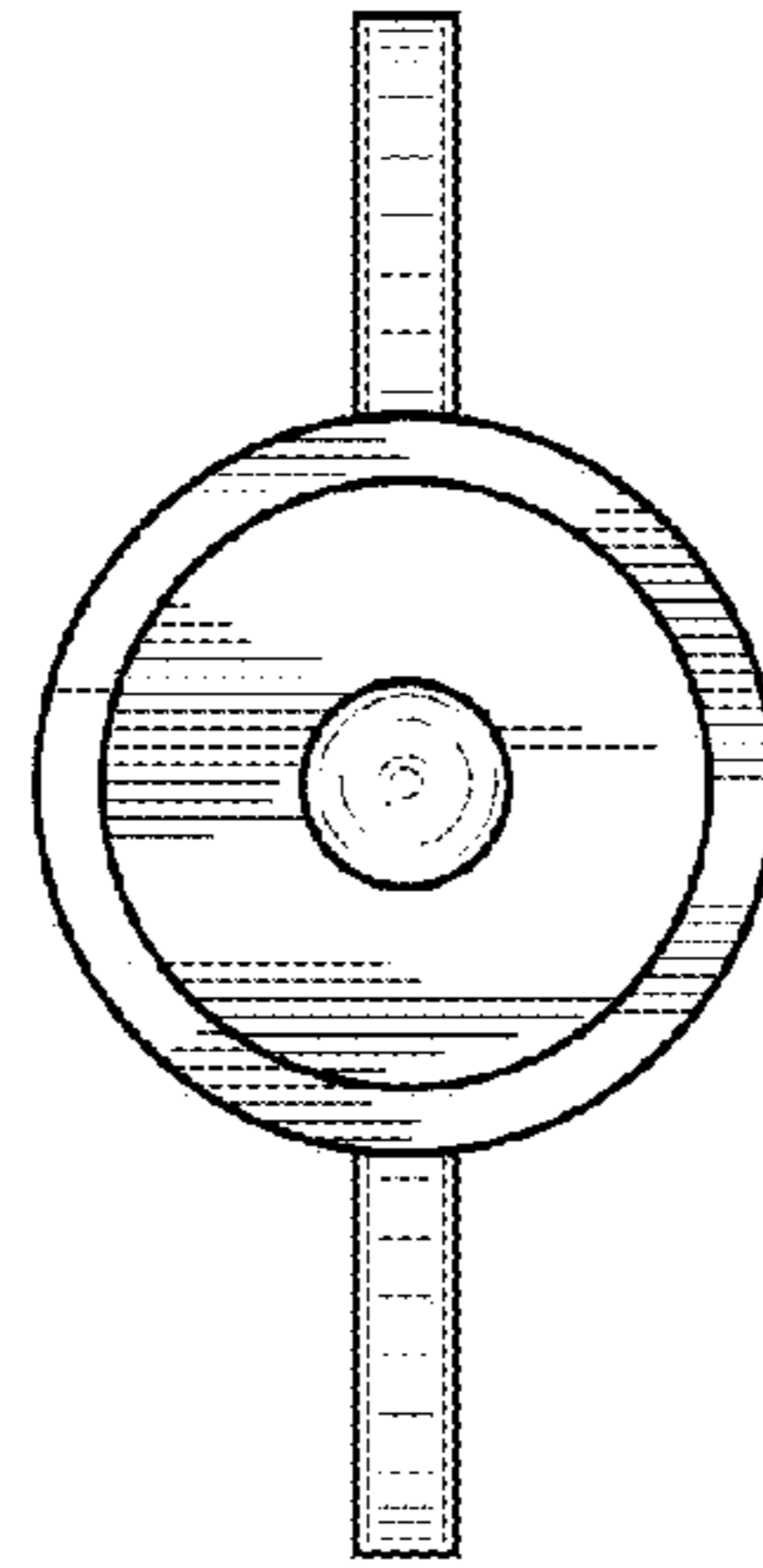


FIG. 5

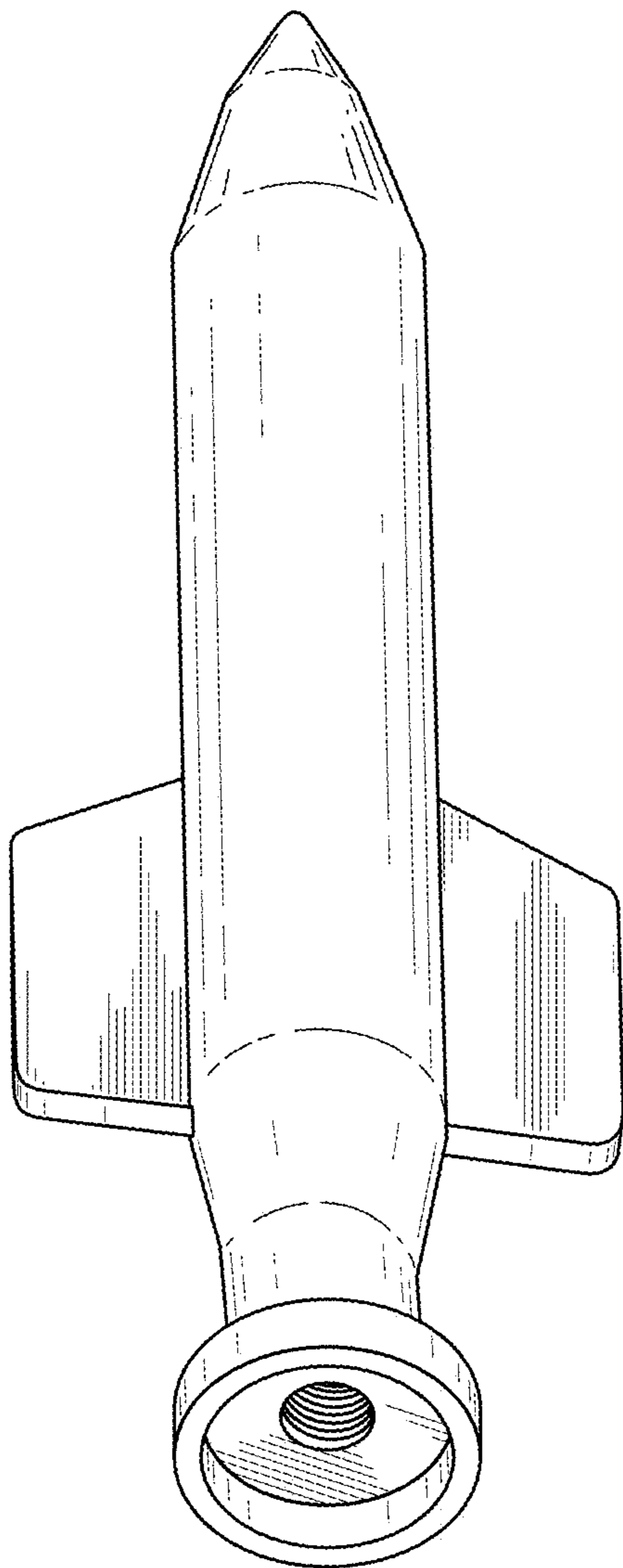


FIG. 6

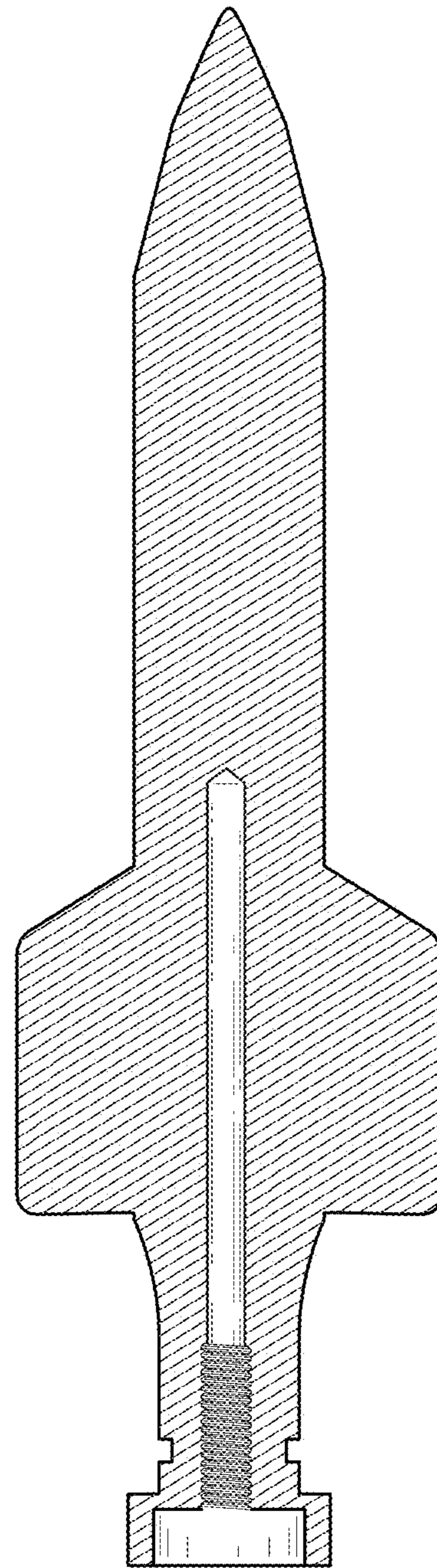


FIG. 7

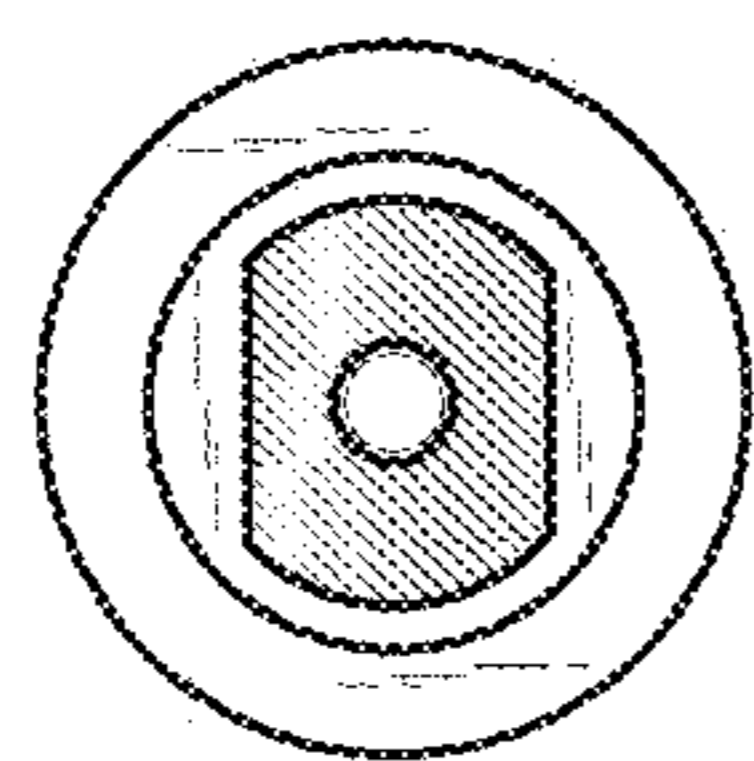


FIG. 8