



US00D950523S

(12) **United States Design Patent** (10) **Patent No.:** **US D950,523 S**  
**Lee** (45) **Date of Patent:** **\*\* \*May 3, 2022**

(54) **BLUETOOTH SPEAKER**

(71) Applicant: **LG ELECTRONICS INC.**, Seoul (KR)

(72) Inventor: **Sangho Lee**, Seoul (KR)

(73) Assignee: **LG ELECTRONICS INC.**, Seoul (KR)

(\*) Notice: This patent is subject to a terminal disclaimer.

(\*\*) Term: **15 Years**

(21) Appl. No.: **35/510,658**

(22) Filed: **Apr. 28, 2020**

(80) **Hague Agreement Data**

Int. Filing Date: **Apr. 28, 2020**  
Int. Reg. No.: **DM/208143**  
Int. Reg. Date: **Apr. 28, 2020**  
Int. Reg. Pub. Date: **Oct. 30, 2020**

(30) **Foreign Application Priority Data**

Nov. 26, 2019 (KR) ..... 30-2019-0056699

(51) **LOC (13) Cl.** ..... **14-01**

(52) **U.S. Cl.**  
USPC ..... **D14/214**

(58) **Field of Classification Search**

USPC ..... D14/167, 168, 170-172, 188, 194-196, D14/204, 209.1, 210-216, 219, 221, 222, D14/224, 239, 496  
CPC ..... B60R 11/0217; G06F 1/1688; G10K 9/22; G10K 11/004; H03F 1/327; H04M 1/03; H04M 1/035; H04N 5/642; H04N 21/4852; H04R 1/02; H04R 1/06; H04R 1/021; H04R 1/025; H04R 1/026; H04R 1/028; H04R 1/105; H04R 1/323; H04R 1/403; H04R 1/2803; H04R 1/2834; H04R 5/02; H04R 7/20; H04R 9/06;

H04R 9/025; H04R 2201/021; H04R 2400/00; H04R 2400/07; H04R 2499/11; H04R 2499/13; H04R 2499/15; H04S 3/00; H04S 7/30

See application file for complete search history.

(56) **References Cited**

**U.S. PATENT DOCUMENTS**

D690,281	S	*	9/2013	Carr	.....	D14/204
D789,329	S	*	6/2017	Tse	.....	D14/212
D831,002	S	*	10/2018	Distefano	.....	D14/216
D848,971	S	*	5/2019	Wang	.....	D14/204
D851,620	S	*	6/2019	Wang	.....	D14/204
D862,409	S	*	10/2019	Lee	.....	D14/204
D862,410	S	*	10/2019	Lee	.....	D14/204
D863,255	S	*	10/2019	Wang	.....	D14/214
D874,426	S	*	2/2020	Kim	.....	D14/204
D894,866	S	*	9/2020	Wijaya	.....	D14/214

(Continued)

*Primary Examiner* — Keli L Hill

(74) *Attorney, Agent, or Firm* — Birch, Stewart, Kolasch & Birch, LLP

(57) **CLAIM**

The ornamental design for a bluetooth speaker, as shown and described.

**DESCRIPTION**

1. Bluetooth speaker

**1.1** : Perspective

**1.2** : Front

**1.3** : Back

**1.4** : Left

**1.5** : Right

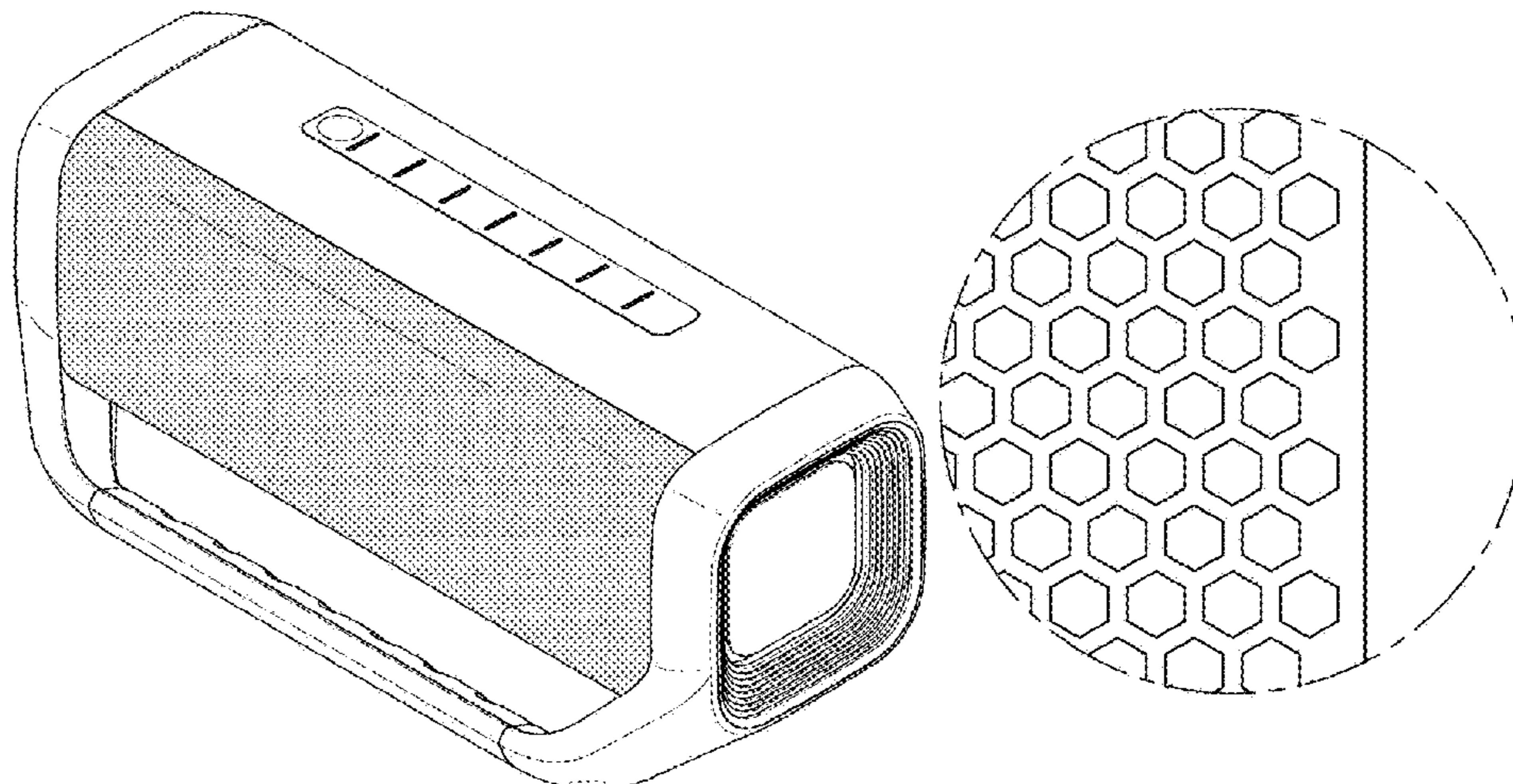
**1.6** : Top

**1.7** : Bottom

**1.8** : Enlarged

Reproduction **1.8** is an enlarged view showing the portion indicated by the dot-dashed line, wavy line and the number

(Continued)



1.8 on reproduction 1.2; The broken lines indicate portions of the article that form no part of the claimed design.

**1 Claim, 8 Drawing Sheets**

(56) **References Cited**

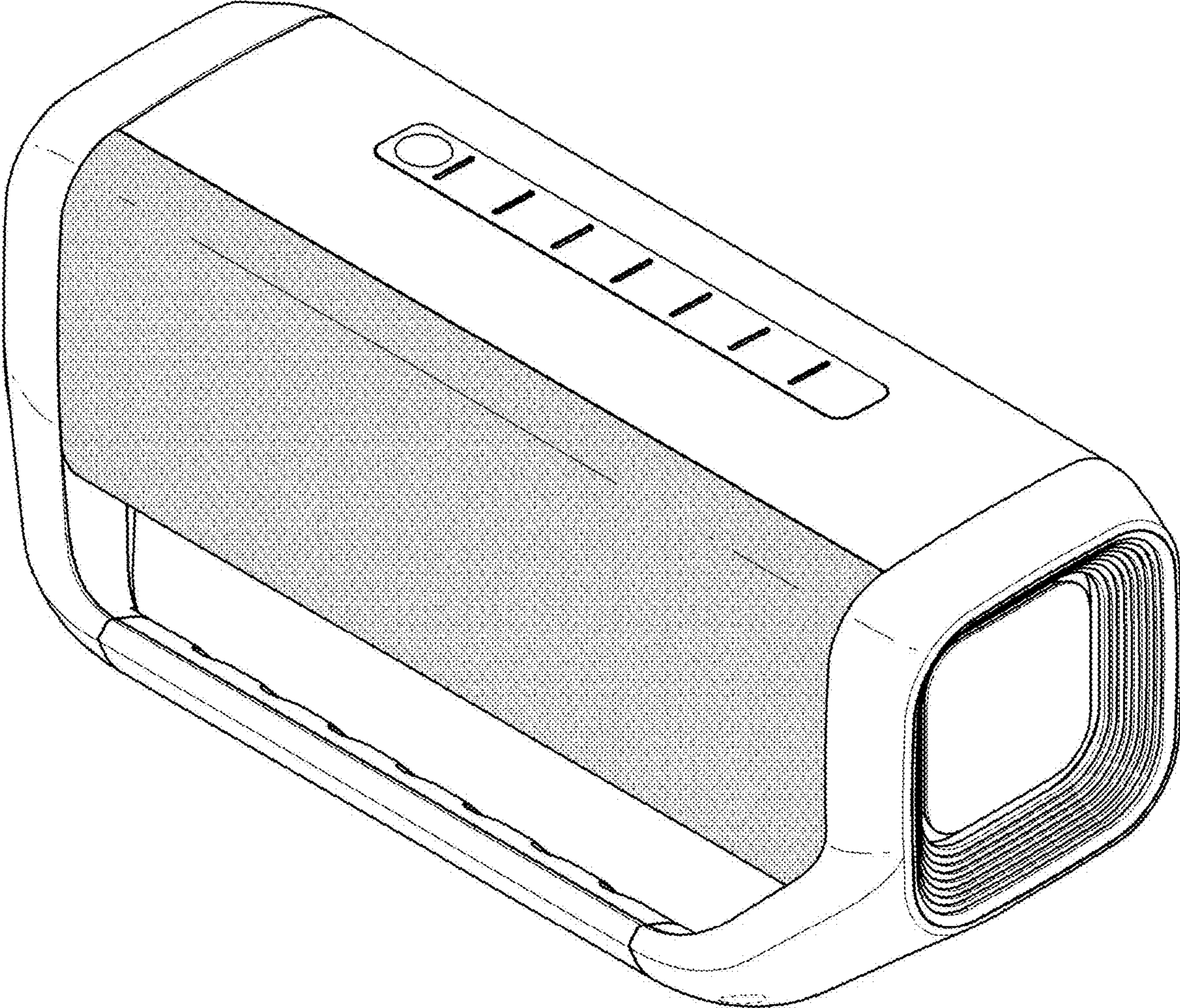
U.S. PATENT DOCUMENTS

D904,998 S \* 12/2020 Qiu ..... D14/204  
D920,946 S \* 6/2021 Lee ..... D14/204

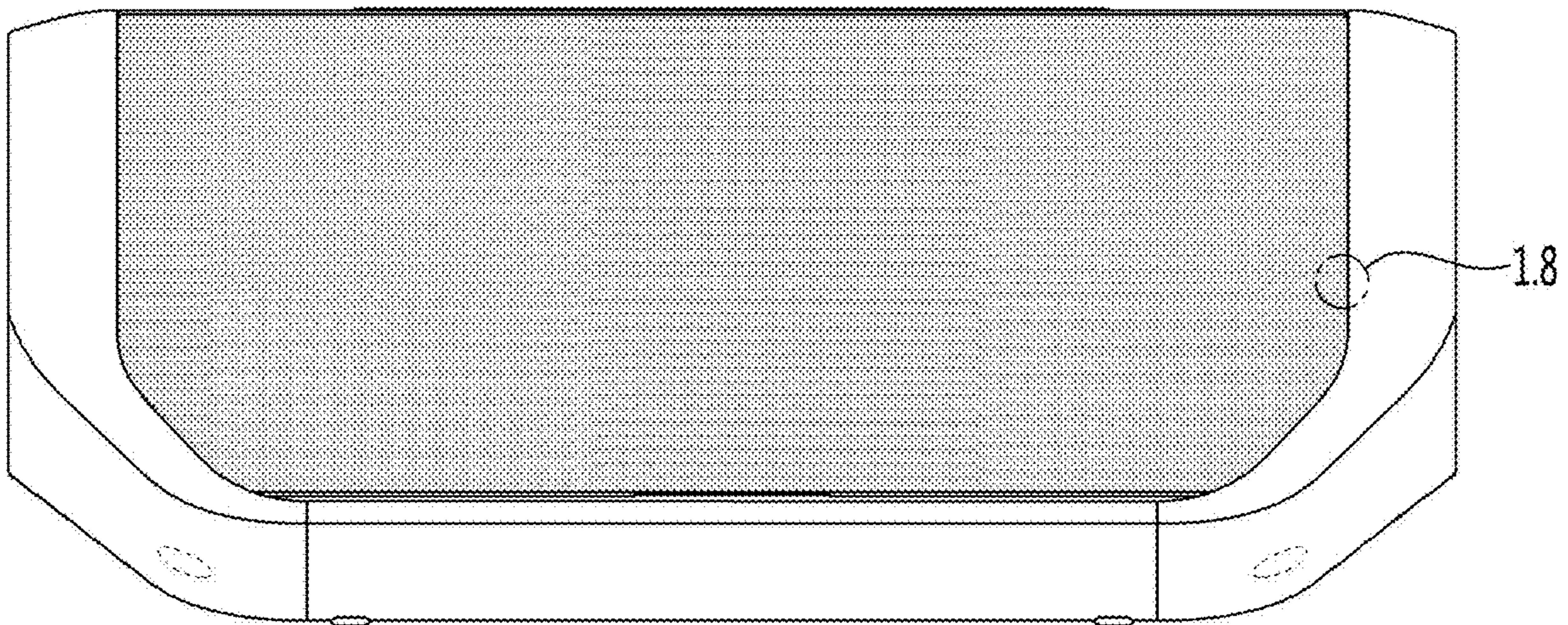
\* cited by examiner



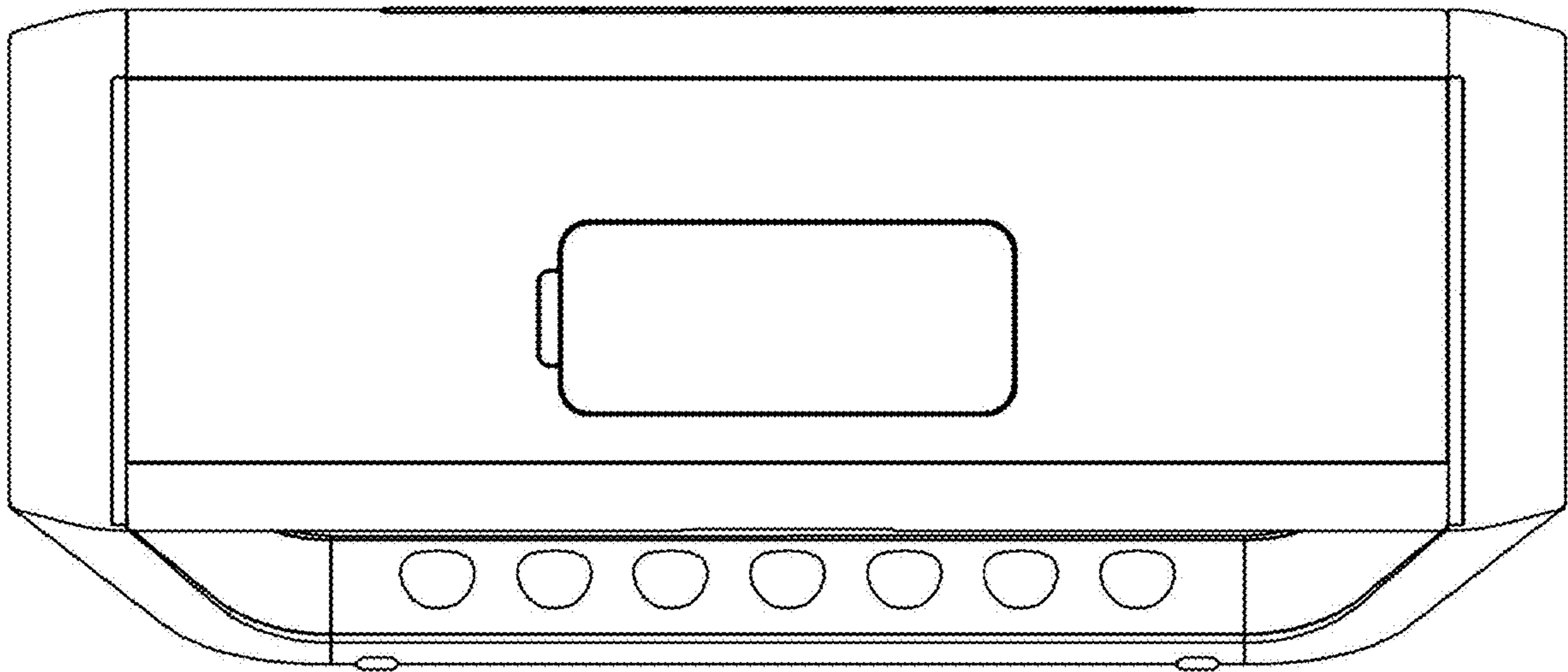
1.1



1.2

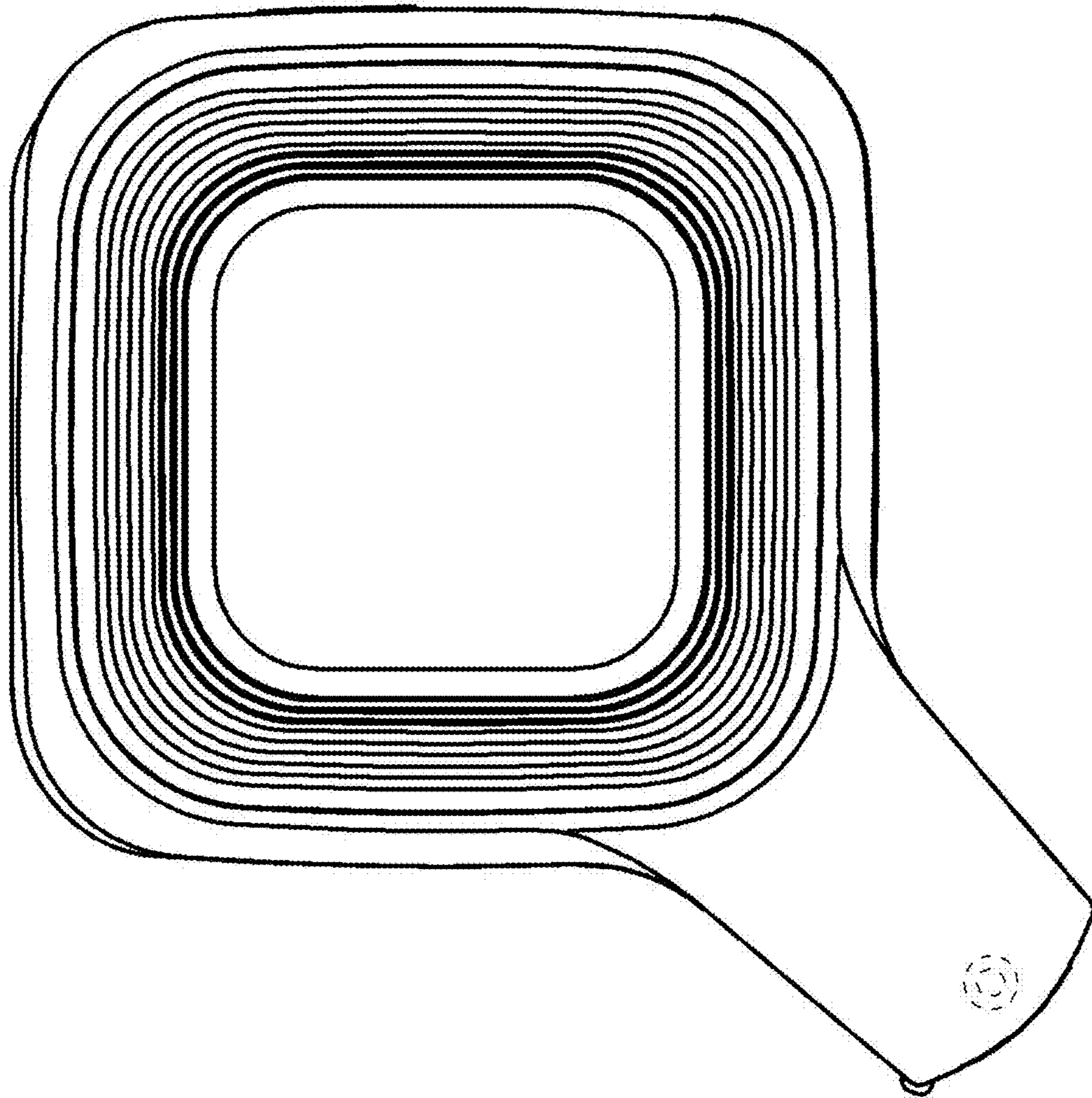


1.3

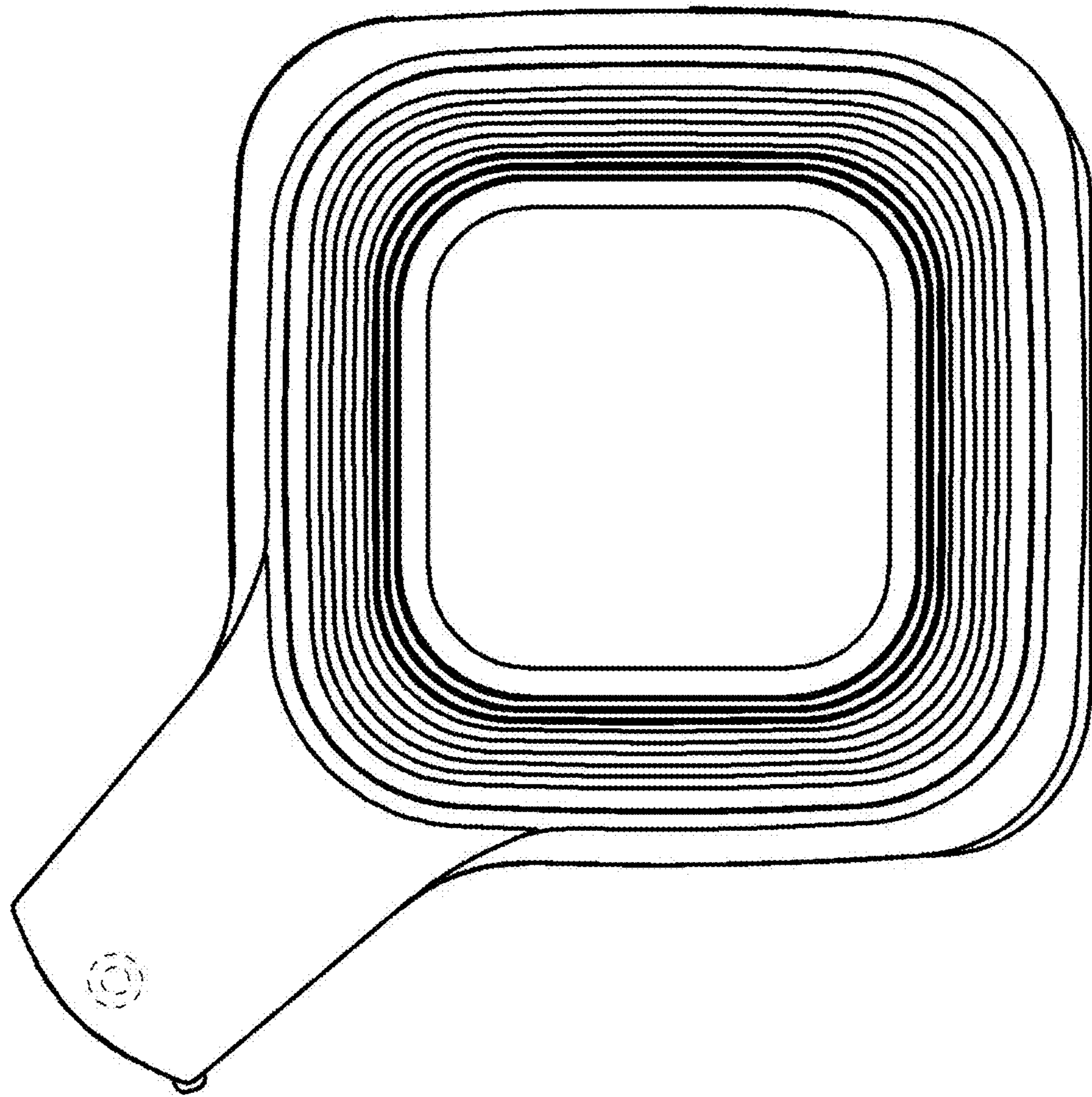




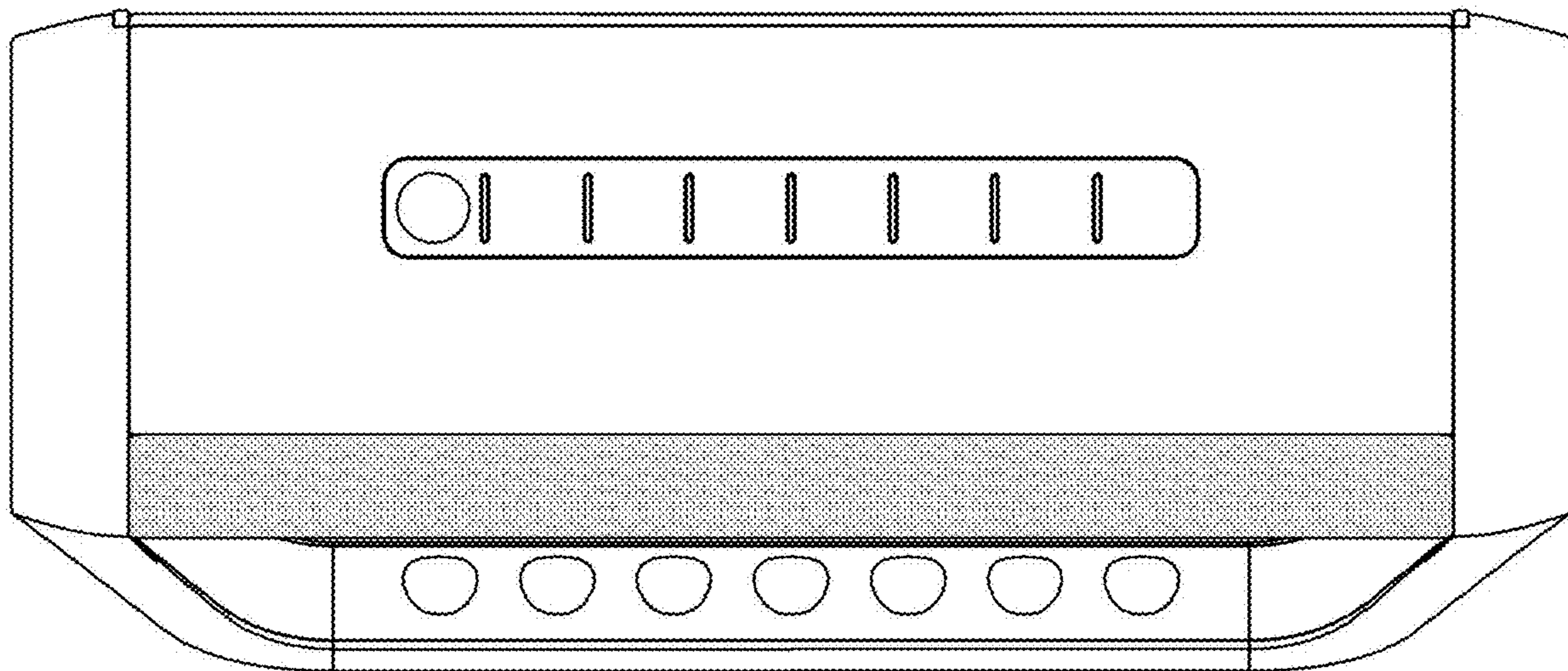
1.4



1.5

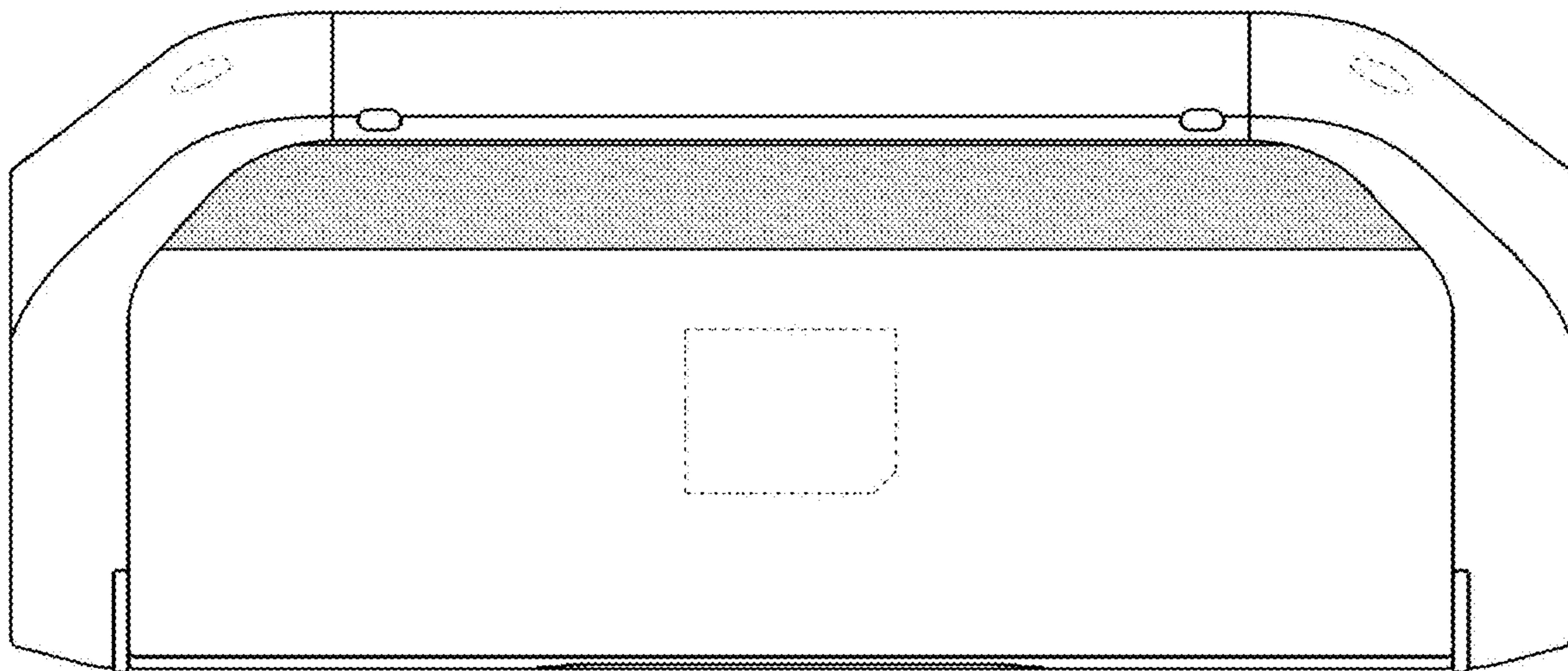


1.6





1.7



1.8

