



US00D950520S

(12) **United States Design Patent**
Yan

(10) **Patent No.:** **US D950,520 S**

(45) **Date of Patent:** **** May 3, 2022**

(54) **WIRELESS EARPHONE**

(71) Applicant: **Shenzhen FuShiKe Electronic Co., Ltd.**, Shenzhen (CN)

(72) Inventor: **Xiaohuang Yan**, Shenzhen (CN)

(73) Assignee: **Shenzhen FuShiKe Electronic Co., Ltd.**, Shenzhen (CN)

(**) Term: **15 Years**

(21) Appl. No.: **29/741,940**

(22) Filed: **Jul. 16, 2020**

(51) **LOC (13) Cl.** **14-01**

(52) **U.S. Cl.**
USPC **D14/206; D14/223**

(58) **Field of Classification Search**
USPC D14/206, 226, 205, 188, 192, 225;
D29/112; 2/209; 381/380, 381, 374;
455/90.3, 575.1, 569.1
CPC H04R 25/00; H04R 25/02; H04R 1/1066;
H04R 1/1016; H04R 5/033; H04R
5/0335; H04R 19/04; H04R 11/04; H04R
1/1058; H04R 1/1091; H04R 1/105
See application file for complete search history.

(56) **References Cited**

U.S. PATENT DOCUMENTS

- 4,173,715 A * 11/1979 Gosman H04R 1/1058
181/129
- D457,874 S * 5/2002 Yoneda D14/205
- D484,485 S * 12/2003 Matsuoka D14/205
- D504,414 S * 4/2005 Yoshida D14/205
- D517,527 S * 3/2006 Suzuki D14/205
- D549,688 S * 8/2007 Suzuki D14/205
- D583,800 S * 12/2008 Jaakkola D14/205
- D592,182 S * 5/2009 Sanguinetti D14/205
- D592,640 S * 5/2009 Tkachuk D14/205
- D598,898 S * 8/2009 Davidson D14/215

- D604,266 S * 11/2009 Milde D14/205
- D632,668 S * 2/2011 Brunner D14/205
- D637,176 S * 5/2011 Brunner D14/205
- D660,824 S * 5/2012 Hardi D14/205
- D674,767 S * 1/2013 Brunner D14/205
- D677,647 S * 3/2013 Lee D14/205
- D689,463 S * 9/2013 Hardi D14/205
- D691,111 S * 10/2013 Lee D14/206
- D691,579 S * 10/2013 Lee D14/205

(Continued)

FOREIGN PATENT DOCUMENTS

- EM 008738264-0001 * 10/2021
- GB 9008190300-0001 * 9/2020

Primary Examiner — Paula Allen Greene

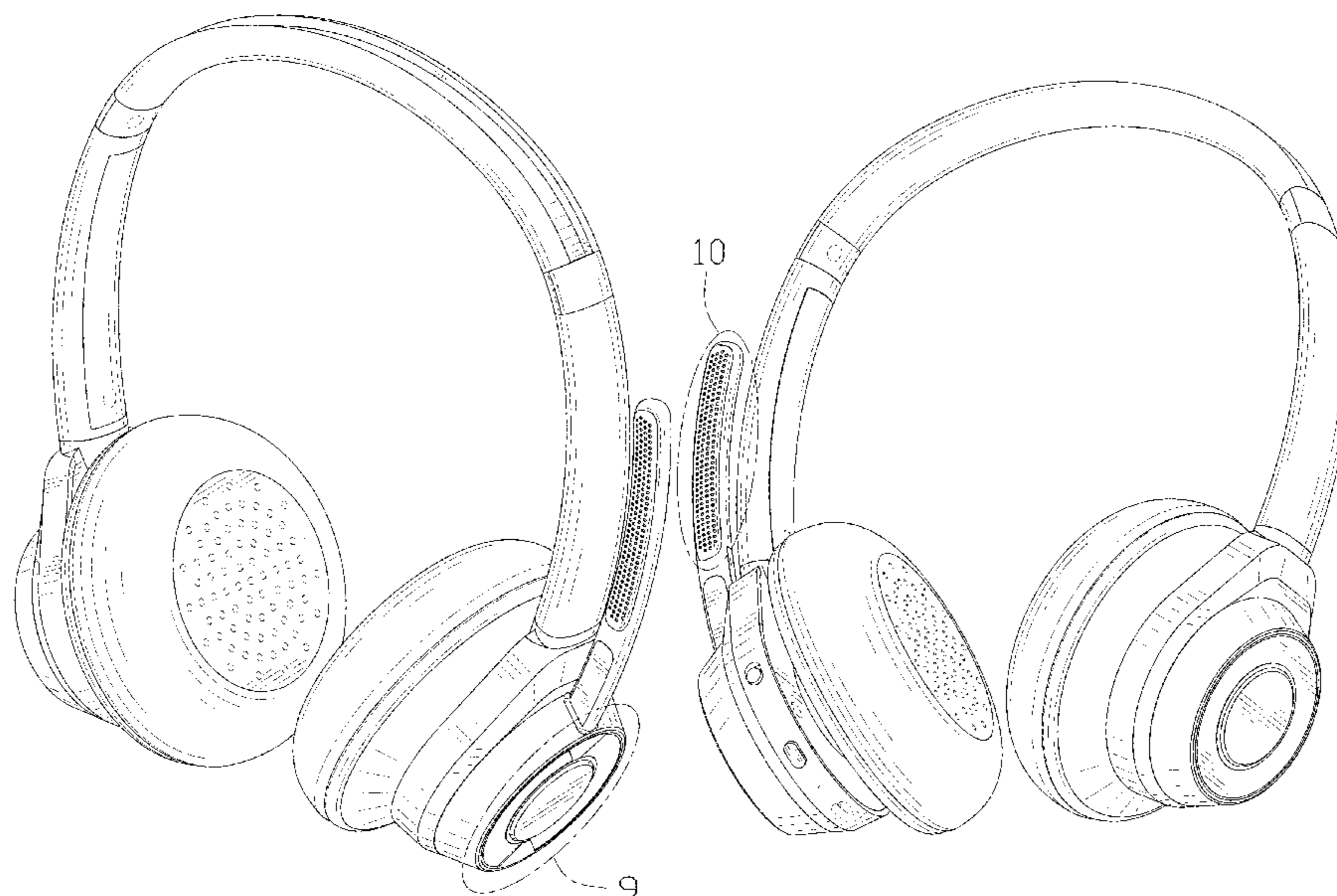
(57) **CLAIM**

The ornamental design for a wireless earphone, as shown and described.

DESCRIPTION

FIG. 1 is a front perspective view of a wireless earphone showing my new design;
 FIG. 2 is a rear perspective view thereof;
 FIG. 3 is a front elevational view thereof;
 FIG. 4 is a rear elevational view thereof;
 FIG. 5 is a left side elevational view thereof;
 FIG. 6 is a right side elevational view thereof;
 FIG. 7 is a top plan view thereof;
 FIG. 8 is a bottom plan view thereof;
 FIG. 9 is an enlarged view of a circle portion 9 of FIG. 1; and,
 FIG. 10 is an enlarged view of a circle portion 10 of FIG. 2.
 The broken lines in the drawing depict portions of the wireless earphone that form no part of the claimed design. The dot dash dot broken lines encircling portions of the wireless earphone in FIGS. 1, 2, 9, and 10 and illustrated in enlarged views, form no part of the claimed design.

1 Claim, 10 Drawing Sheets



(56)

References Cited

U.S. PATENT DOCUMENTS

D702,210 S *	4/2014	Birger	H04S 1/005	D830,339 S *	10/2018	Yan	D14/206
			D14/205	D843,345 S *	3/2019	Brunner	D14/205
D704,161 S *	5/2014	Morimoto	H04R 1/1066	D847,117 S *	4/2019	Summerson	D14/206
			D14/205	D851,064 S *	6/2019	Wang	D14/206
D706,244 S *	6/2014	Goransson	D14/225	D856,303 S *	8/2019	Ando	D14/205
D713,375 S *	9/2014	Dedinas	D14/206	D857,652 S *	8/2019	Wang	D14/205
D713,376 S *	9/2014	Dedinas	D14/206	D860,161 S *	9/2019	Xia	D14/205
D713,817 S *	9/2014	Paterson	D14/205	D864,903 S *	10/2019	Liu	D14/206
D716,762 S *	11/2014	Greve	D14/206	D870,069 S *	12/2019	Hu	D14/206
D717,767 S *	11/2014	Mistry	D14/206	D875,708 S *	2/2020	Tang	D14/205
D719,136 S *	12/2014	Schaal	D14/206	D879,066 S *	3/2020	Chen	D14/205
D723,508 S *	3/2015	Garland	D14/205	D881,842 S *	4/2020	Hu	D14/205
D737,799 S *	9/2015	Carr	D14/205	D891,399 S *	7/2020	Chen	D14/206
D750,041 S *	2/2016	Birger	D14/205	D917,421 S *	4/2021	Zheng	D14/206
D750,043 S *	2/2016	Birger	D14/206	D927,451 S *	8/2021	Paterson	D14/206
D765,055 S *	8/2016	Hsieh	D14/205	D935,440 S *	11/2021	Liu	D14/206
D778,258 S *	2/2017	Hsu	D14/205	2014/0140528 A1 *	5/2014	Wei	H04R 1/1091
D782,999 S *	4/2017	Spio	D14/206				381/74
D800,691 S *	10/2017	Ando	D14/205	2016/0181718 A1 *	6/2016	Kann	H01R 13/447
D820,813 S *	6/2018	Sharp	D14/206				439/142
10,028,049 B2 *	7/2018	Inoue	H04R 1/1066	2018/0206023 A1 *	7/2018	Lee	H04R 1/1025
				2019/0224491 A1 *	7/2019	Dominijanni	A61N 5/06
				2019/0394554 A1 *	12/2019	Lee	H01M 50/105
				2021/0037317 A1 *	2/2021	Wahlin	H04R 5/0335

* cited by examiner



FIG. 1



FIG. 2



FIG. 3



FIG. 4

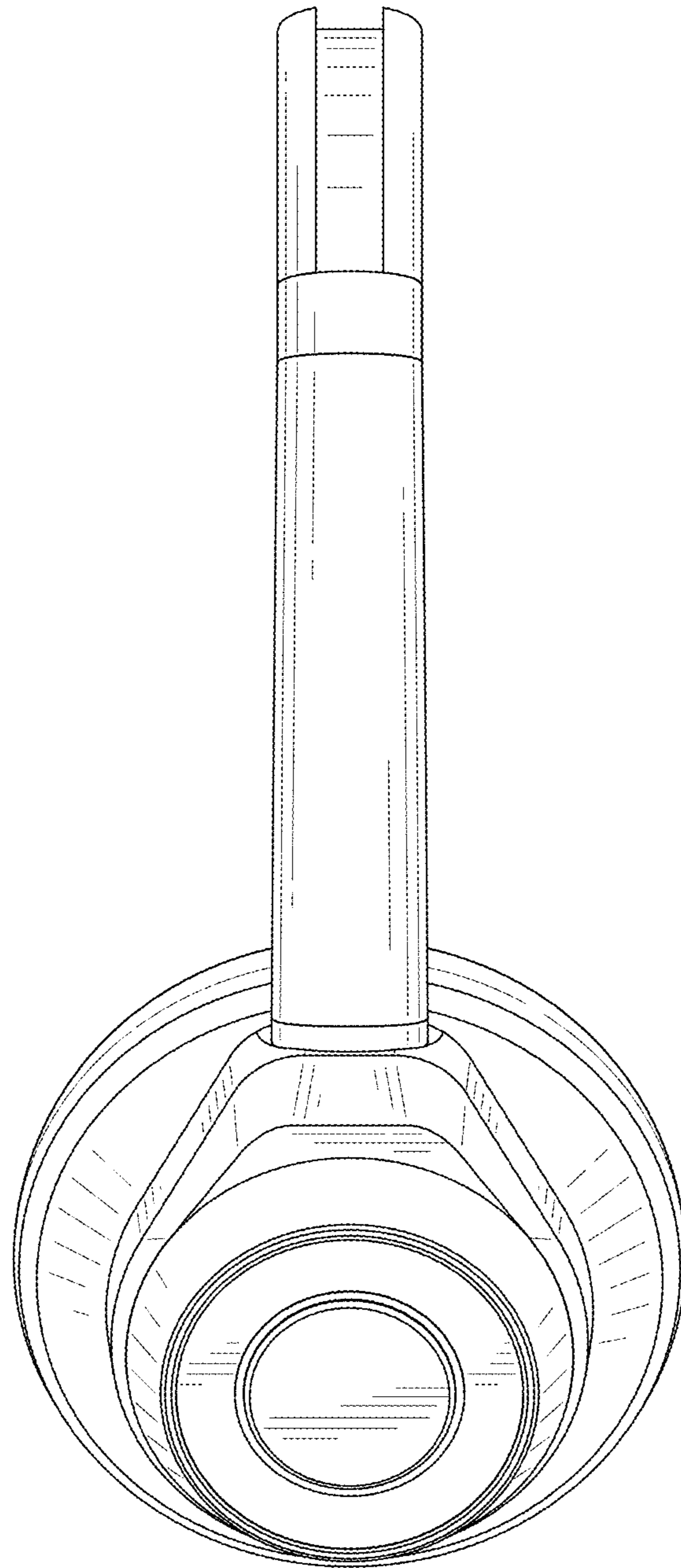


FIG. 5

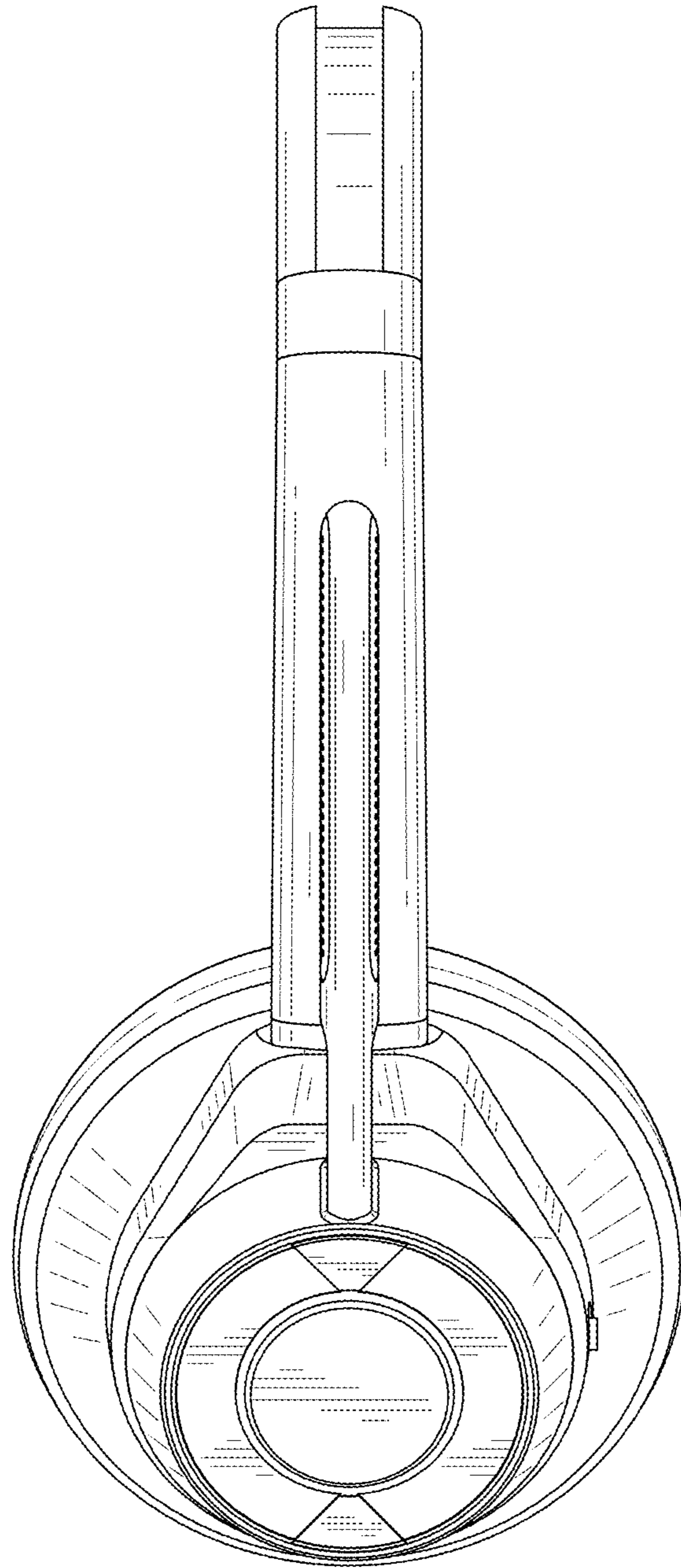


FIG. 6

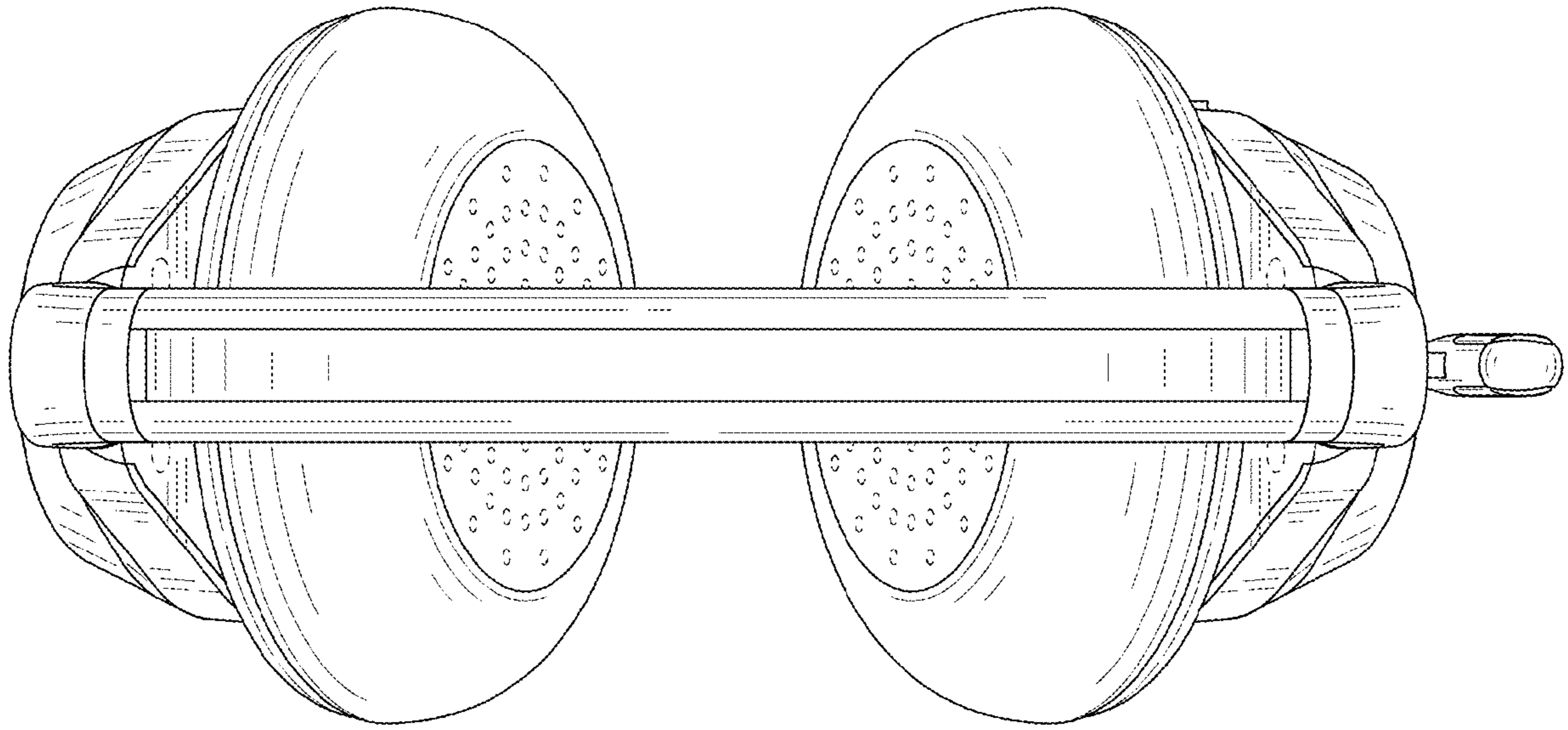


FIG. 7

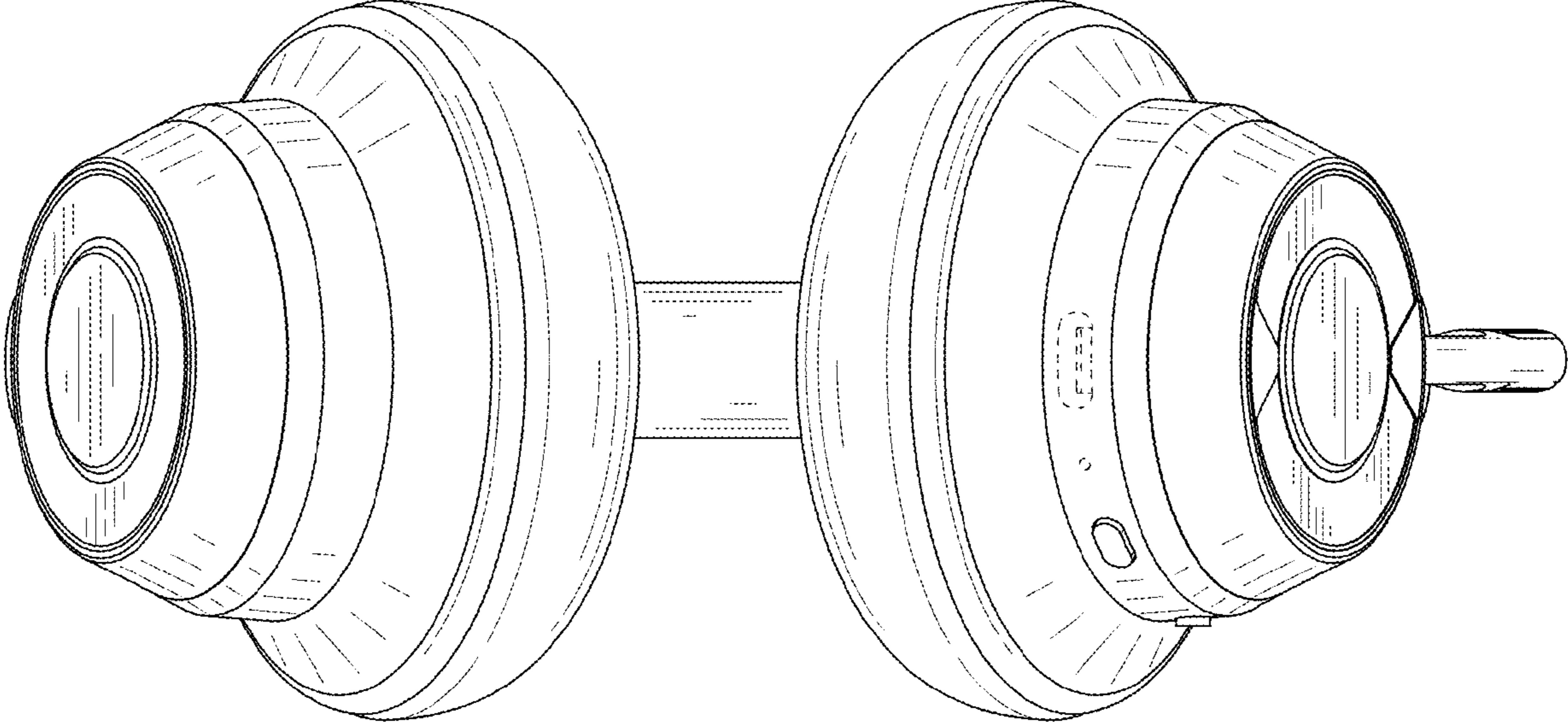


FIG. 8

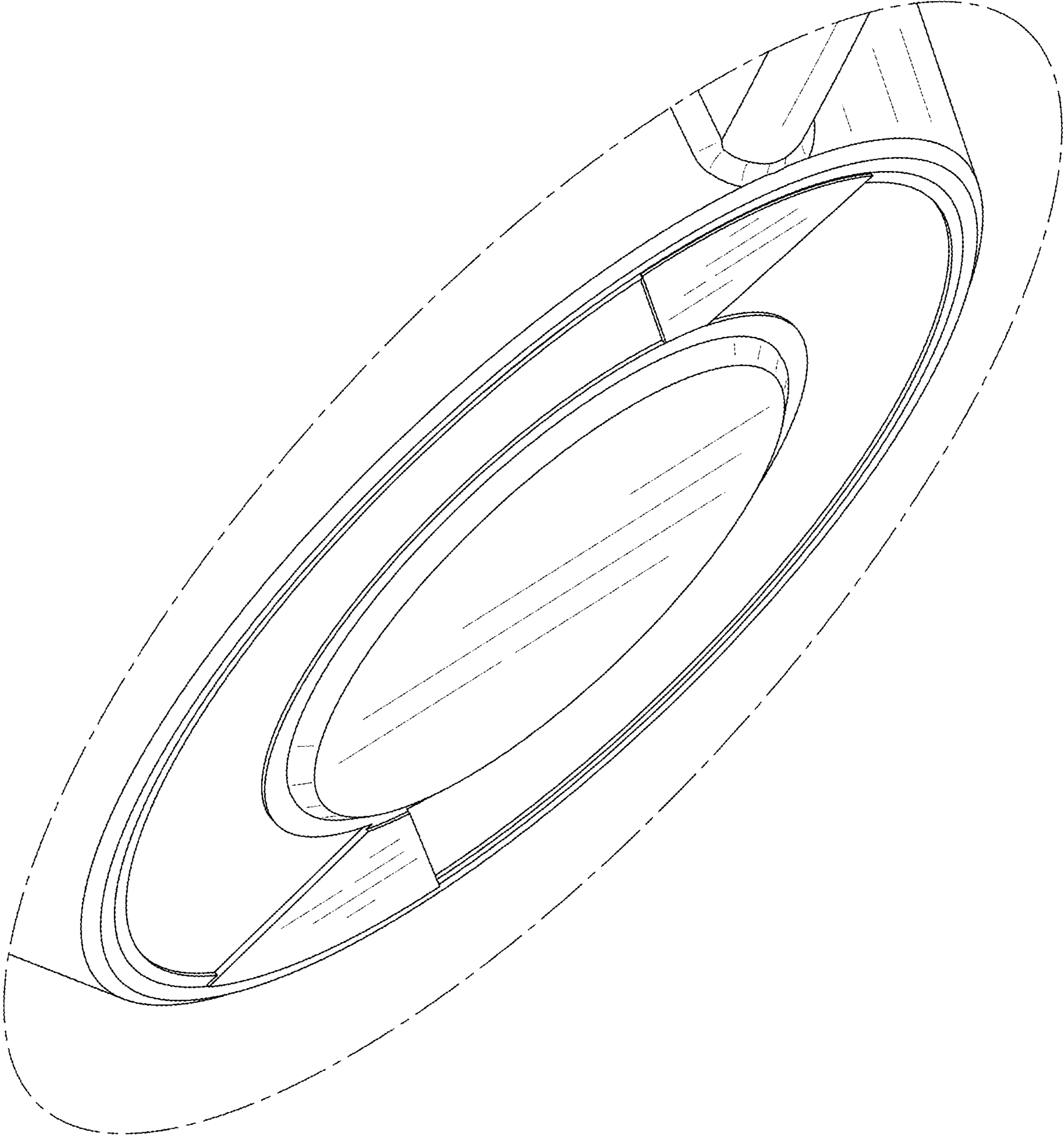


FIG. 9

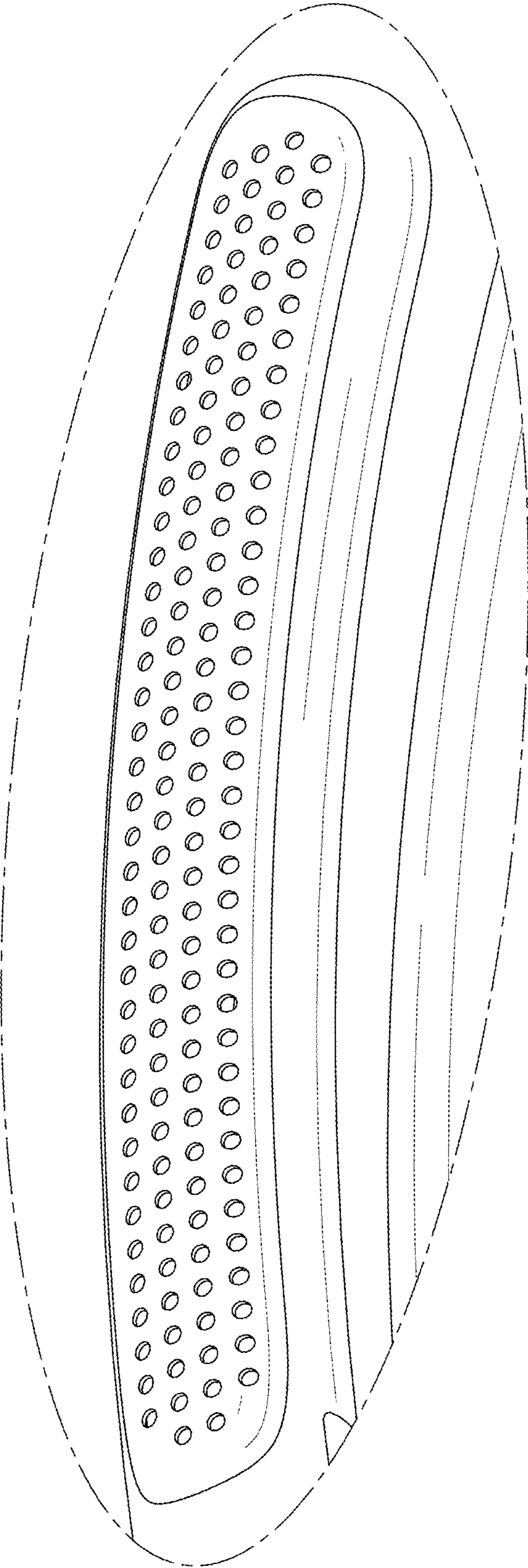


FIG. 10