



US00D950519S

(12) **United States Design Patent**  
**Xie**

(10) **Patent No.:** **US D950,519 S**  
(45) **Date of Patent:** **\*\* May 3, 2022**

(54) **EARPHONE**  
(71) Applicant: **Dongguan Lanye Electronic Technology Co., Ltd, Guangdong (CN)**  
(72) Inventor: **Rong Xie, Guangdong (CN)**  
(73) Assignee: **Dongguan Lanye Electronic Technology Co., Ltd, Guangdong (CN)**  
(\*\*) Term: **15 Years**

5,960,094 A \* 9/1999 Jensen ..... H04M 1/05  
381/381  
D418,509 S \* 1/2000 Zeitman ..... D14/192  
6,449,806 B1 \* 9/2002 Engelhard ..... H04M 1/05  
2/209  
6,724,906 B2 \* 4/2004 Naksen ..... H04R 1/1066  
381/370  
D491,163 S \* 6/2004 Green ..... D14/205  
7,106,873 B1 \* 9/2006 Harrison ..... A61N 1/36038  
381/330  
D538,261 S \* 3/2007 Taylor ..... D14/205  
(Continued)

(21) Appl. No.: **29/739,383**  
(22) Filed: **Jun. 24, 2020**  
(51) **LOC (13) Cl.** ..... **14-01**  
(52) **U.S. Cl.**  
USPC ..... **D14/206; D14/226**  
(58) **Field of Classification Search**  
USPC ..... D14/206, 226, 188, 192, 372, 225;  
D29/112; 2/209, 423; 381/380, 381,  
381/374; 345/7-9; 362/105, 86;  
455/90.3, 575.1, 569.1  
CPC ..... H04R 25/00; H04R 25/02; H04R 1/1066;  
H04R 1/1016; H04R 5/033; H04R  
5/0335; H04R 1/105; H04R 1/1058;  
H04R 19/04; H04R 11/04; H04R 1/1091;  
G02B 27/017; F21V 21/084  
See application file for complete search history.

**FOREIGN PATENT DOCUMENTS**

CN 305724783 \* 4/2020  
CN 306941733 \* 11/2021  
(Continued)

*Primary Examiner* — Paula Allen Greene  
(74) *Attorney, Agent, or Firm* — ScienBiziP, P.C.

(57) **CLAIM**

The ornamental design for an earphone, as shown and described.

**DESCRIPTION**

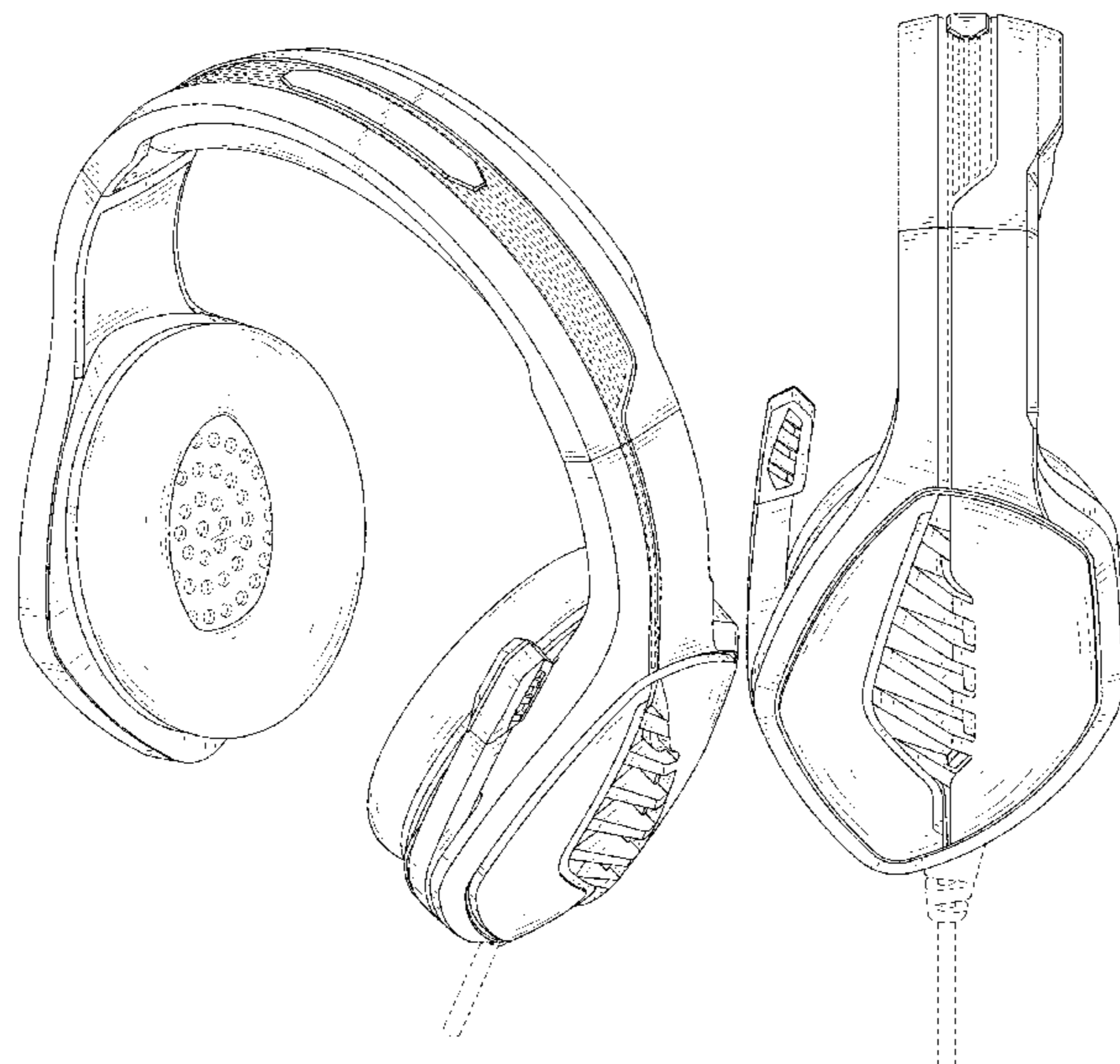
FIG. 1 is a front and top perspective view of an earphone, showing my design.  
FIG. 2 is a rear and bottom perspective view thereof.  
FIG. 3 is a front elevation view thereof.  
FIG. 4 is a rear elevation view thereof.  
FIG. 5 is a left side elevation view thereof.  
FIG. 6 is a right side elevation view thereof.  
FIG. 7 is a top plan view thereof; and,  
FIG. 8 is a bottom plan view thereof.  
The broken lines adjacent the shaded areas and solid lines illustrate the bounds of the claimed design and form no part of the claimed design. All other broken lines are directed to portions of the headphone that form no part of the claimed design.

(56) **References Cited**

**U.S. PATENT DOCUMENTS**

3,488,457 A \* 1/1970 Lahti ..... H04R 1/1008  
381/371  
3,786,519 A \* 1/1974 Aileo ..... A42B 3/10  
2/6.2  
5,018,599 A \* 5/1991 Dohi ..... H04R 1/1008  
181/129  
5,794,127 A \* 8/1998 Lansang ..... H04R 1/1041  
340/12.5  
D398,309 S \* 9/1998 Bergin ..... D14/206

**1 Claim, 8 Drawing Sheets**



(56)

References Cited

U.S. PATENT DOCUMENTS

D541,255 S \* 4/2007 Taylor ..... D14/205  
 D573,581 S \* 7/2008 Gondo ..... D14/205  
 7,457,649 B1 \* 11/2008 Wilson ..... H04R 1/1025  
 379/428.02  
 D604,266 S \* 11/2009 Milde ..... D14/205  
 D641,725 S \* 7/2011 Chong ..... D14/205  
 D641,727 S \* 7/2011 Krauss ..... D14/206  
 D645,023 S \* 9/2011 Brandis ..... D14/206  
 D652,017 S \* 1/2012 Groves ..... D14/206  
 8,189,847 B2 \* 5/2012 Huang ..... H04R 1/1075  
 381/380  
 D663,716 S \* 7/2012 Hardi ..... D14/205  
 8,239,807 B2 \* 8/2012 Arora ..... G06F 30/392  
 716/126  
 D666,991 S \* 9/2012 Lee ..... D14/205  
 D672,744 S \* 12/2012 Scarpa ..... D14/205  
 D689,464 S \* 9/2013 Bonahoom ..... D14/206  
 D690,284 S \* 9/2013 Brennwald ..... D14/205  
 D691,111 S \* 10/2013 Lee ..... D14/206  
 D693,327 S \* 11/2013 Chiu ..... D14/206  
 D699,216 S \* 2/2014 Bonahoom ..... D14/205  
 D713,375 S \* 9/2014 Dedinas ..... D14/206  
 D717,764 S \* 11/2014 Lee ..... D14/205  
 D723,509 S \* 3/2015 Garland ..... D14/205  
 D727,288 S \* 4/2015 Yamasaki ..... D14/205  
 D733,677 S \* 7/2015 Ling ..... D14/206  
 D766,208 S \* 9/2016 Paterson ..... D14/205  
 D772,842 S \* 11/2016 Sharp ..... D14/205  
 D788,071 S \* 5/2017 Logan ..... D14/205  
 D791,734 S \* 7/2017 Ou ..... D14/206  
 D800,092 S \* 10/2017 Paterson ..... D14/206  
 D815,614 S \* 4/2018 Tzeng ..... D14/205  
 D820,813 S \* 6/2018 Sharp ..... D14/206  
 D824,362 S \* 7/2018 Probst ..... D14/206  
 D841,620 S \* 2/2019 Liu ..... D14/206  
 D845,927 S \* 4/2019 Wang ..... D14/206  
 D851,063 S \* 6/2019 Deng ..... D14/206  
 D851,064 S \* 6/2019 Wang ..... D14/206  
 D856,967 S \* 8/2019 Tang ..... D14/206

D856,968 S \* 8/2019 Tang ..... D14/206  
 D856,969 S \* 8/2019 Tang ..... D14/206  
 D856,970 S \* 8/2019 Tang ..... D14/206  
 D856,971 S \* 8/2019 Tang ..... D14/206  
 D859,355 S \* 9/2019 Hu ..... D14/205  
 D864,903 S \* 10/2019 Liu ..... D14/206  
 D866,515 S \* 11/2019 Long ..... D14/206  
 D868,734 S \* 12/2019 Wang ..... D14/206  
 D870,696 S \* 12/2019 Deng ..... D14/206  
 D870,698 S \* 12/2019 Long ..... D14/206  
 D876,392 S \* 2/2020 Zhou ..... D14/206  
 D877,116 S \* 3/2020 Liu ..... D14/206  
 D880,450 S \* 4/2020 Liu ..... D14/206  
 D883,950 S \* 5/2020 Liu ..... D14/206  
 D890,131 S \* 7/2020 Shen ..... D14/206  
 D894,869 S \* 9/2020 Tang ..... D14/206  
 D910,595 S \* 2/2021 Shen ..... D14/206  
 D935,439 S \* 11/2021 Zheng ..... D14/206  
 D940,100 S \* 1/2022 Xie ..... D14/206  
 2004/0252487 A1 \* 12/2004 McCullough ..... F21V 33/0056  
 362/105  
 2010/0020252 A1 \* 1/2010 Otsuki ..... H04R 5/0335  
 348/838  
 2011/0194721 A1 \* 8/2011 Schmidt ..... H04M 1/05  
 381/370  
 2012/0288131 A1 \* 11/2012 Vaerum ..... H04R 1/1066  
 381/378  
 2015/0281850 A1 \* 10/2015 Wang ..... H04R 5/033  
 381/74  
 2016/0165021 A1 \* 6/2016 Broadley ..... H04M 1/0258  
 455/569.1  
 2017/0019728 A1 \* 1/2017 Cochran ..... H04R 1/1091  
 2019/0069065 A1 \* 2/2019 Brace ..... H04R 1/1058  
 2019/0110122 A1 \* 4/2019 Zelnick ..... H04R 1/1066  
 2019/0238998 A1 \* 8/2019 Zhang ..... H04R 1/04  
 2020/0288234 A1 \* 9/2020 Fletcher ..... H04R 1/1008

FOREIGN PATENT DOCUMENTS

CN 306964169 \* 11/2021  
 JP D1703654 \* 12/2021

\* cited by examiner

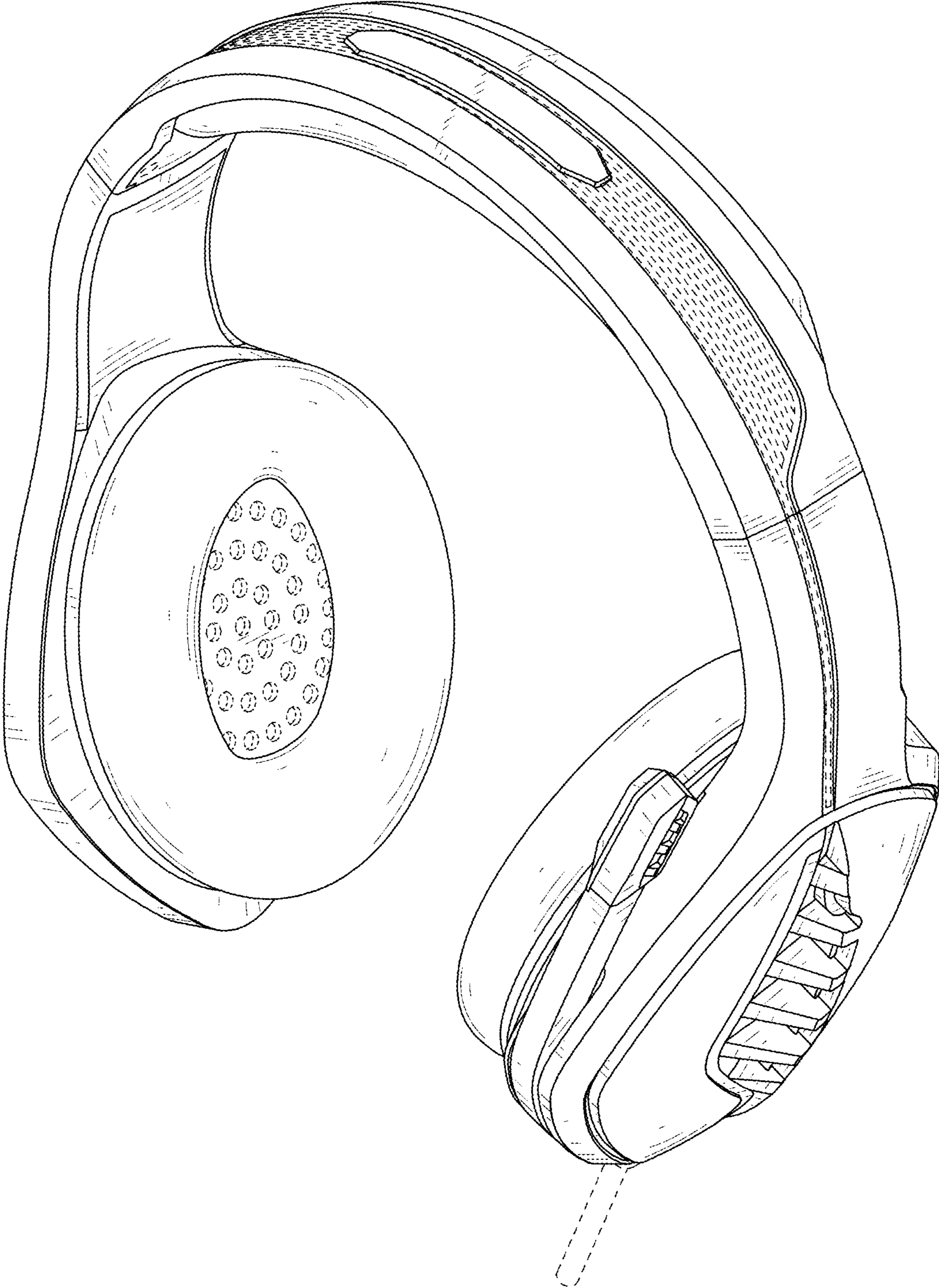


FIG. 1

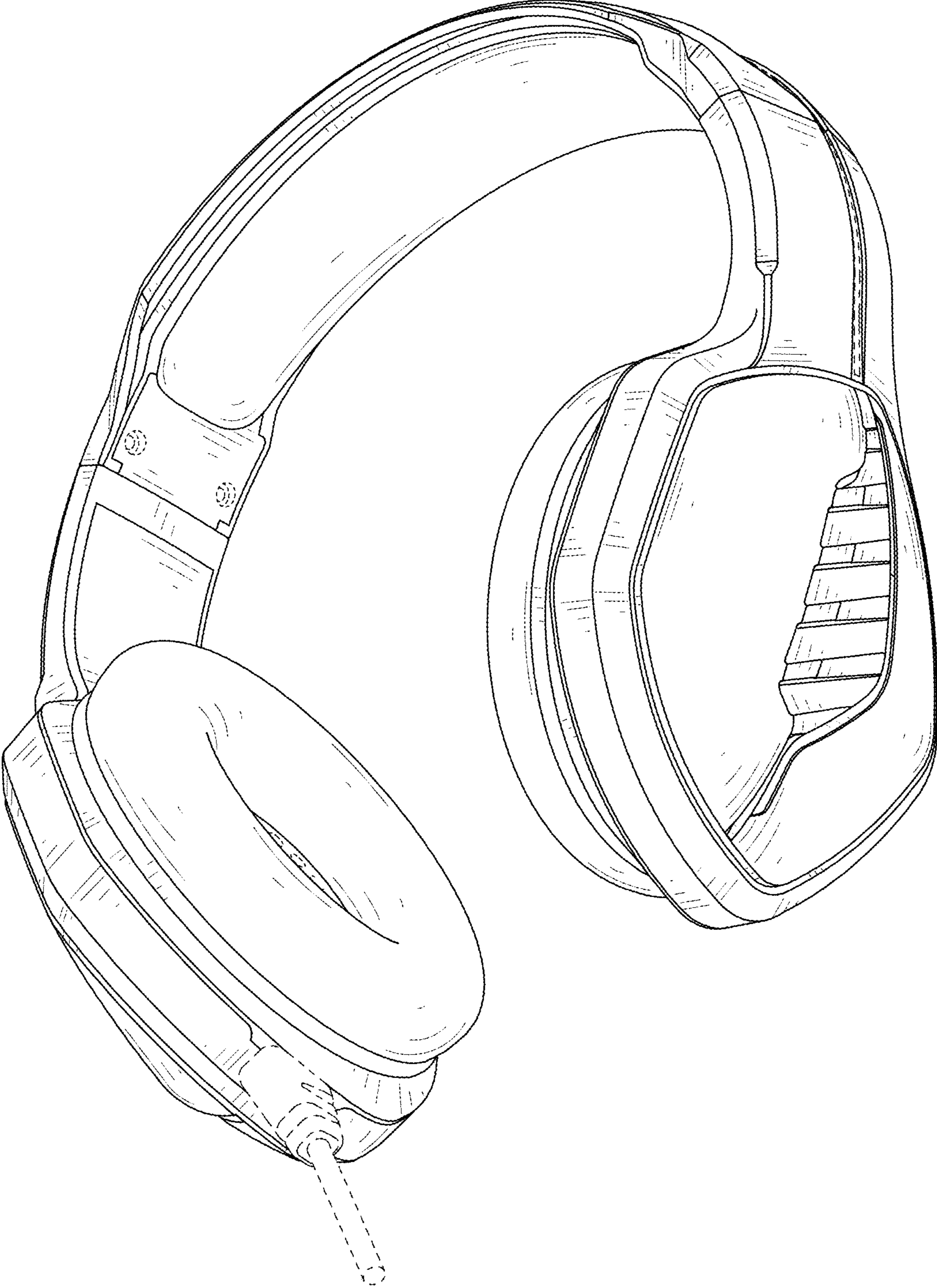


FIG. 2

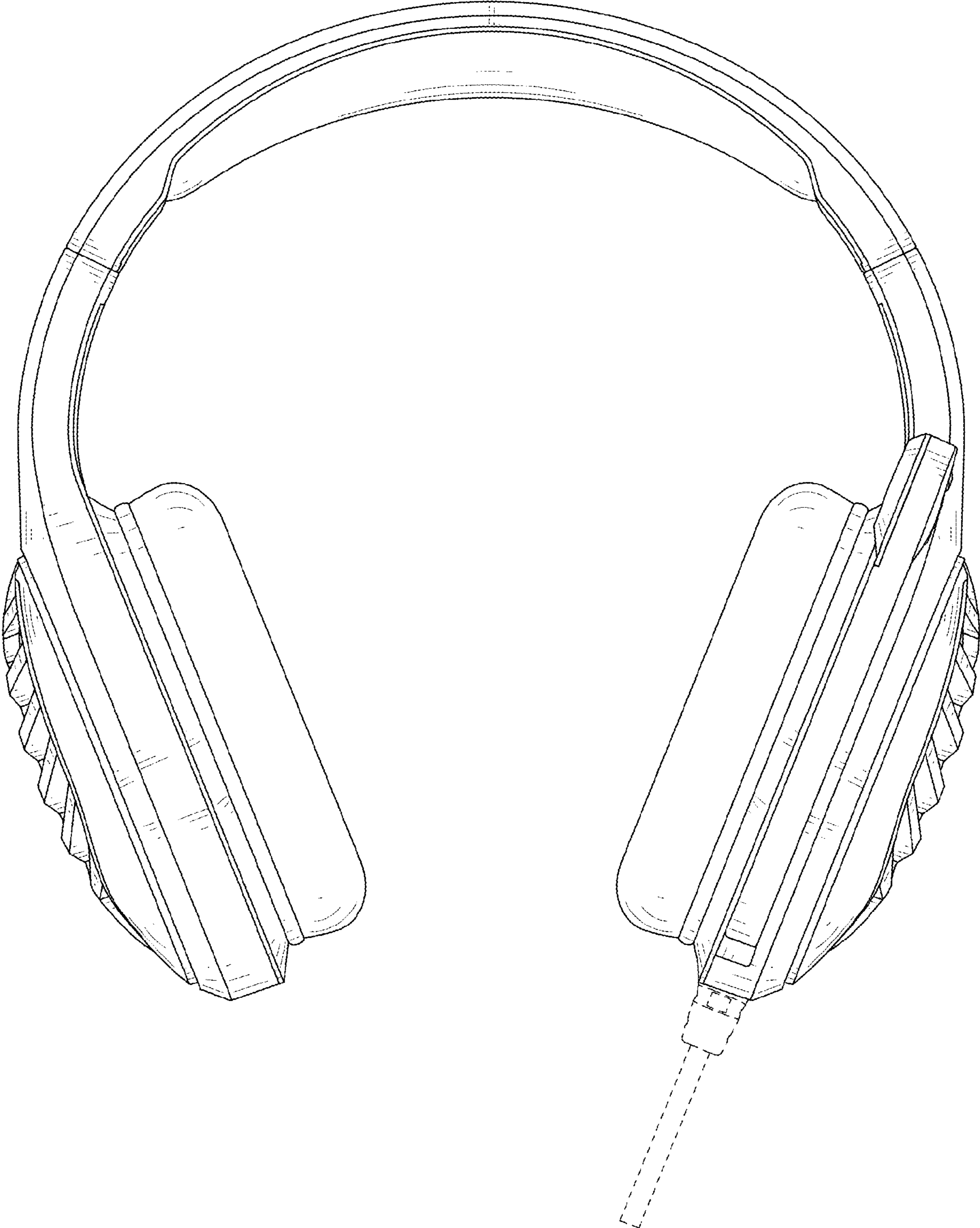


FIG. 3



FIG. 4

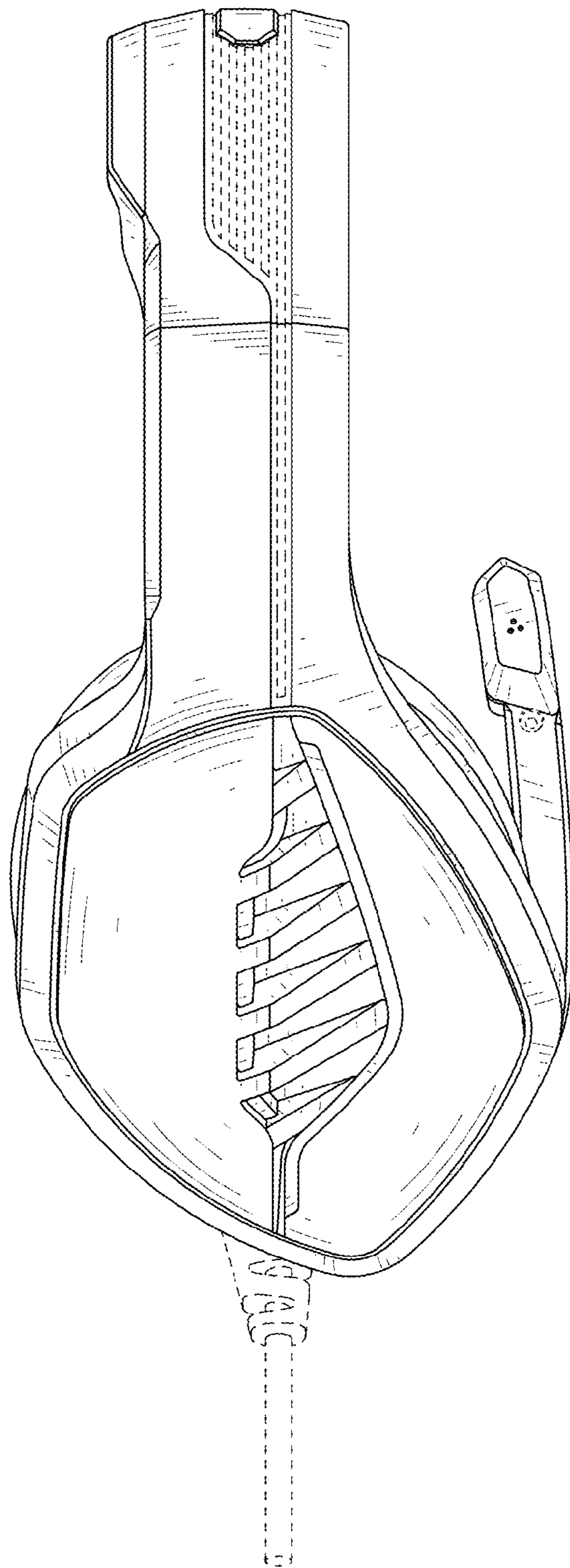


FIG. 5

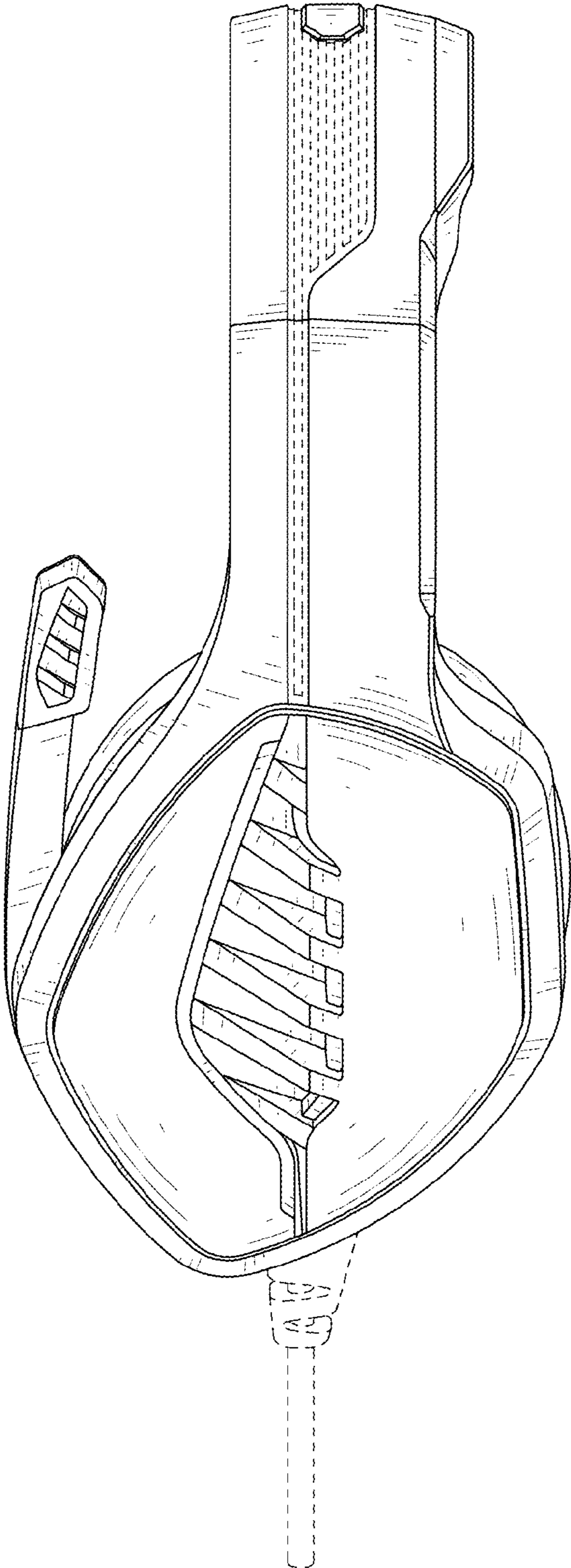


FIG. 6



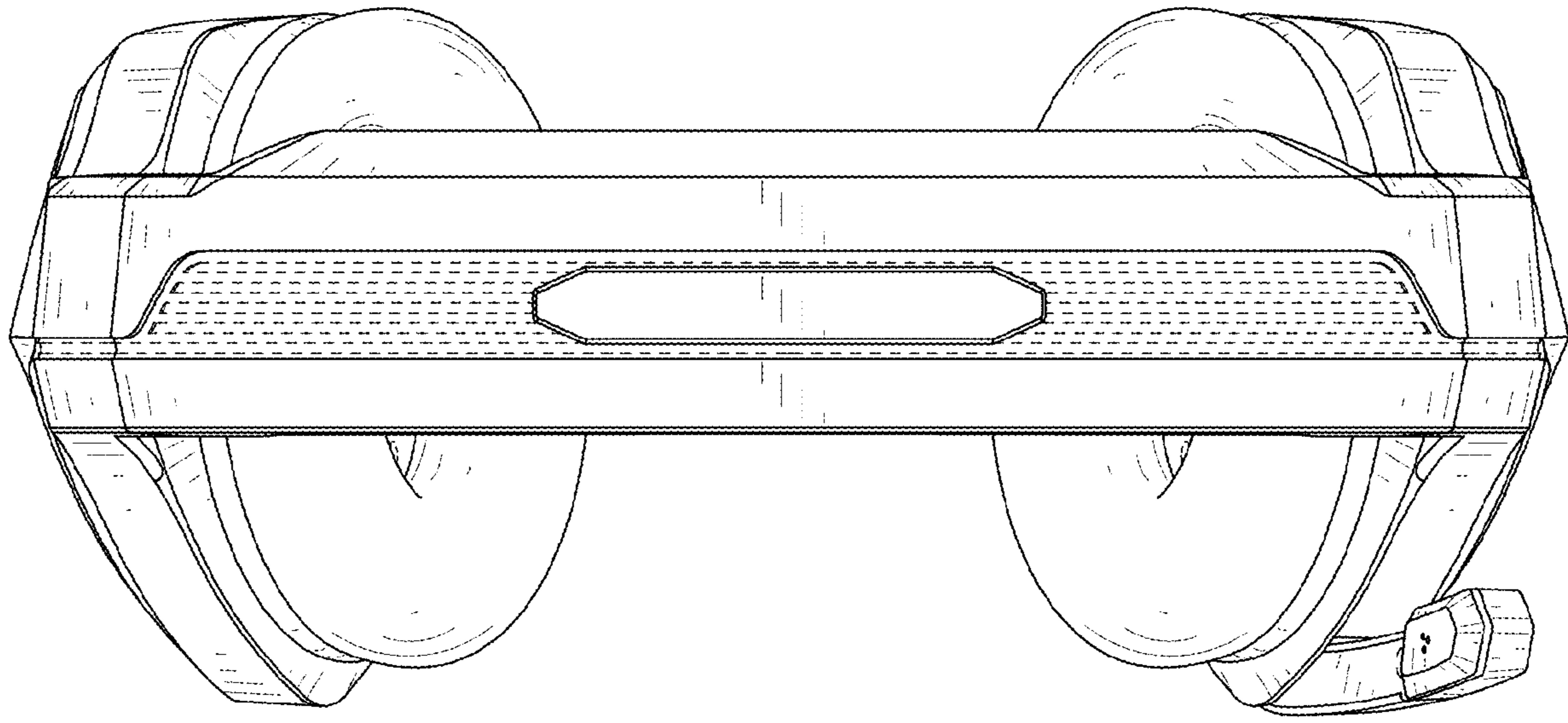


FIG. 7

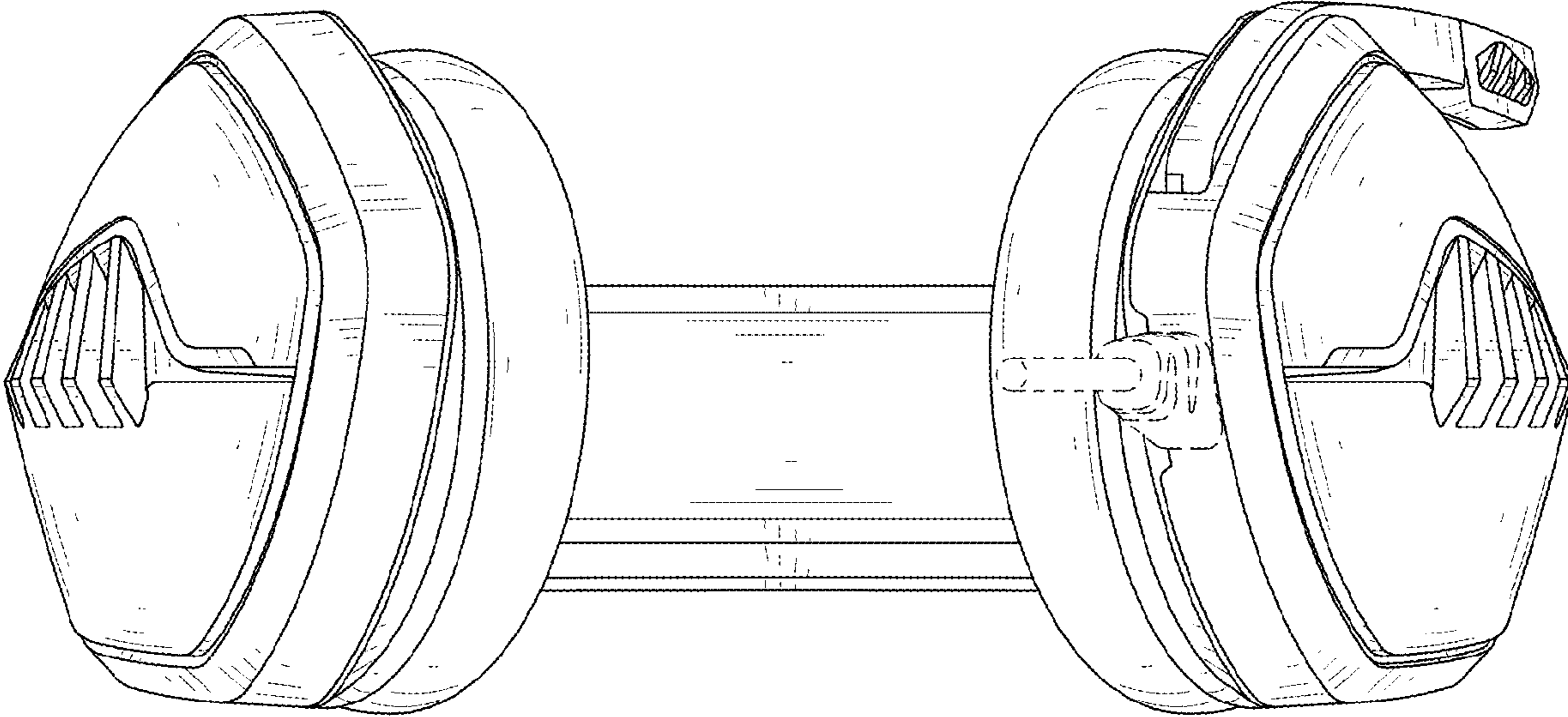


FIG. 8