



US00D950517S

(12) **United States Design Patent** (10) **Patent No.:** **US D950,517 S**
Brunner et al. (45) **Date of Patent:** **** May 3, 2022**

- (54) **AUDIO LISTENING SYSTEM**
- (71) Applicant: **Apple Inc.**, Cupertino, CA (US)
- (72) Inventors: **Robert Brunner**, Glen Ellen, CA (US); **Rhys Bonahoom**, Burlingame, CA (US); **Gregoire Vandebussche**, San Francisco, CA (US); **Nivay Anandarajah**, San Francisco, CA (US); **Christopher Fruhauf**, San Anselmo, CA (US)
- (73) Assignee: **Apple Inc.**, Cupertino, CA (US)
- (**) Term: **15 Years**
- (21) Appl. No.: **29/800,093**
- (22) Filed: **Jul. 19, 2021**

Related U.S. Application Data

- (63) Continuation of application No. 29/739,419, filed on Jun. 25, 2020, now Pat. No. Des. 925,489, which is a continuation of application No. 29/682,934, filed on Mar. 8, 2019, now Pat. No. Des. 899,432, which is a continuation of application No. 29/608,560, filed on Jun. 22, 2017, now Pat. No. Des. 843,345, which is a continuation of application No. 29/559,678, filed on Mar. 30, 2016, now Pat. No. Des. 791,733, which is a continuation of application No. 29/527,765, filed on May 21, 2015, now Pat. No. Des. 760,687, which is a continuation of application No. 29/490,508, filed on May 9, 2014, now Pat. No. Des. 738,350, and a continuation of application No. 29/490,507, filed on May 9, 2014, now Pat. No. Des. 732,000, which is a continuation-in-part of application No. 29/489,127, filed on Apr. 25, 2014, now Pat. No. Des. 731,457, said application No. 29/527,765 is a continuation of application No. 29/489,127, filed on Apr. 25, 2014,
(Continued)

- (51) **LOC (13) Cl.** **14-01**
- (52) **U.S. Cl.**
USPC **D14/205**

- (58) **Field of Classification Search**
USPC D14/205, 206, 188, 192; D29/112;
2/209; 381/380, 381, 374, 74, 383, 187,
381/379; 455/90.3, 575.1, 569.1
CPC H04R 25/00; H04R 1/1066; H04R 1/1016;
H04R 5/033; H04R 5/0335; H04R 1/10;
H04R 1/1091
See application file for complete search history.

(56) **References Cited**

U.S. PATENT DOCUMENTS

- 4,173,715 A * 11/1979 Gosman H04R 1/1058
181/129
- 4,597,469 A * 7/1986 Nagashima H04R 5/0335
181/129

(Continued)

FOREIGN PATENT DOCUMENTS

- EM 006643714-0001 * 7/2019
- GB 9006597175-0001 * 6/2019

Primary Examiner — Paula Allen Greene

(74) *Attorney, Agent, or Firm* — Sterne, Kessler, Goldstein & Fox P.L.L.C.

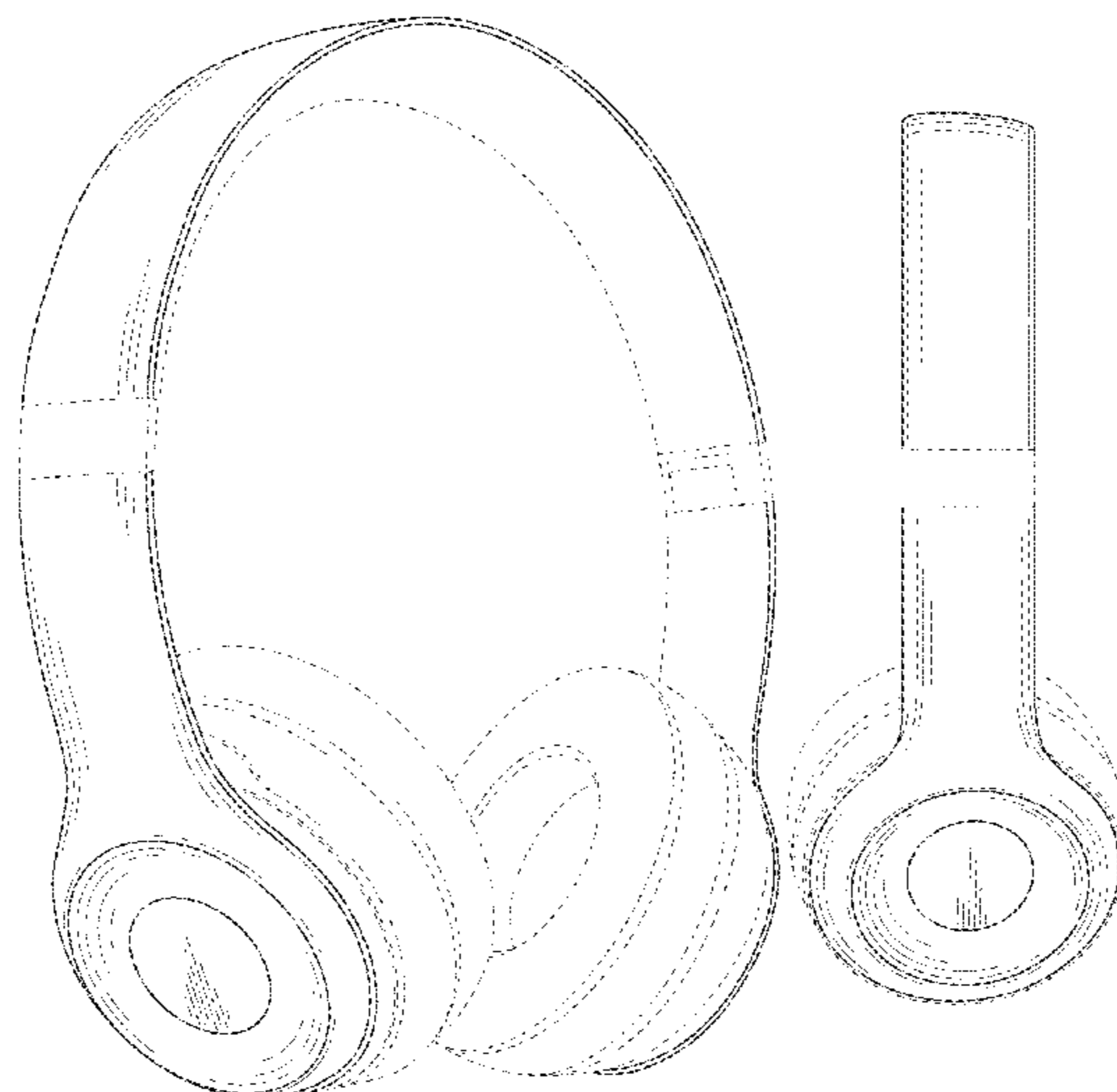
(57) **CLAIM**

The ornamental design for an audio listening system, as shown and described.

DESCRIPTION

FIG. 1 is a perspective view of an audio listening system showing the claimed design;
 FIG. 2 is a front view thereof;
 FIG. 3 is a rear view thereof;
 FIG. 4 is a left side view thereof;
 FIG. 5 is a right side view thereof; and,
 FIG. 6 is a top view thereof.
 The broken lines in the figures show portions of the audio listening system that form no part of the claimed design.

1 Claim, 4 Drawing Sheets



Related U.S. Application Data

now Pat. No. Des. 731,457, said application No. 29/490,508 is a continuation-in-part of application No. 29/489,127, filed on Apr. 25, 2014, now Pat. No. Des. 731,457.

(56)

References Cited

U.S. PATENT DOCUMENTS

D328,074 S 7/1992 Yamazaki et al.
 D328,461 S 8/1992 Daido et al.
 D358,389 S * 5/1995 Isono D14/205
 5,835,609 A * 11/1998 LeGette A61F 11/14
 381/385
 6,654,966 B2 * 12/2003 Rolla H04R 1/1066
 2/209
 D504,414 S 4/2005 Yoshida
 D512,981 S * 12/2005 Jacobson D14/205
 6,980,165 B2 12/2005 Yuasa et al.
 7,072,483 B2 7/2006 Lenhard-Backhaus
 D534,155 S * 12/2006 Obata D14/205
 7,172,052 B2 * 2/2007 Lenhard-Backhaus
 H04R 1/1066
 181/129
 D540,301 S 4/2007 Obata
 D541,257 S * 4/2007 Thursfield D14/205
 D552,077 S 10/2007 Brunner et al.
 D582,890 S * 12/2008 Koza D14/205
 D592,182 S * 5/2009 Sanguinetti D14/205
 D625,705 S 10/2010 Ohori et al.
 D628,554 S 12/2010 Tedja et al.
 D632,668 S 2/2011 Brunner et al.
 D635,959 S 4/2011 Hutchieson
 D637,176 S 5/2011 Brunner et al.
 8,006,320 B1 8/2011 Rohbani

D652,406 S 1/2012 Lee et al.
 8,098,872 B2 1/2012 Chang
 D657,344 S 4/2012 Brunner et al.
 D657,776 S 4/2012 Lee et al.
 D660,823 S 5/2012 Hardi et al.
 D660,824 S 5/2012 Hardi et al.
 D662,080 S 6/2012 Carr et al.
 D663,716 S 7/2012 Hardi et al.
 D664,117 S 7/2012 Tappeiner et al.
 D671,914 S 12/2012 Lee et al.
 D673,136 S 12/2012 Kelly et al.
 D673,520 S 1/2013 Tan
 D675,595 S 2/2013 Cho et al.
 D677,648 S 3/2013 Lee et al.
 D678,860 S 3/2013 Hagelin
 D683,329 S 5/2013 Hagelin
 D689,843 S 9/2013 Lee
 D691,984 S 10/2013 Wang
 D693,791 S 11/2013 Troy
 D696,226 S 12/2013 Brunner et al.
 D696,228 S 12/2013 Miyake et al.
 D699,702 S 2/2014 Chen
 D715,255 S 10/2014 Nunez et al.
 D731,457 S * 6/2015 Brunner D14/205
 D732,000 S * 6/2015 Brunner D14/205
 D738,350 S * 9/2015 Brunner D14/205
 D760,687 S * 7/2016 Brunner D14/205
 D791,103 S * 7/2017 Brunner D14/205
 D791,733 S * 7/2017 Brunner D14/205
 D843,345 S * 3/2019 Brunner D14/205
 D889,432 S * 7/2020 Brunner D14/205
 D925,489 S * 7/2021 Brunner D14/205
 2011/0206216 A1 * 8/2011 Brunner H04R 1/1066
 381/74
 2013/0343591 A1 * 12/2013 Brunner H04R 1/1075
 381/371

* cited by examiner

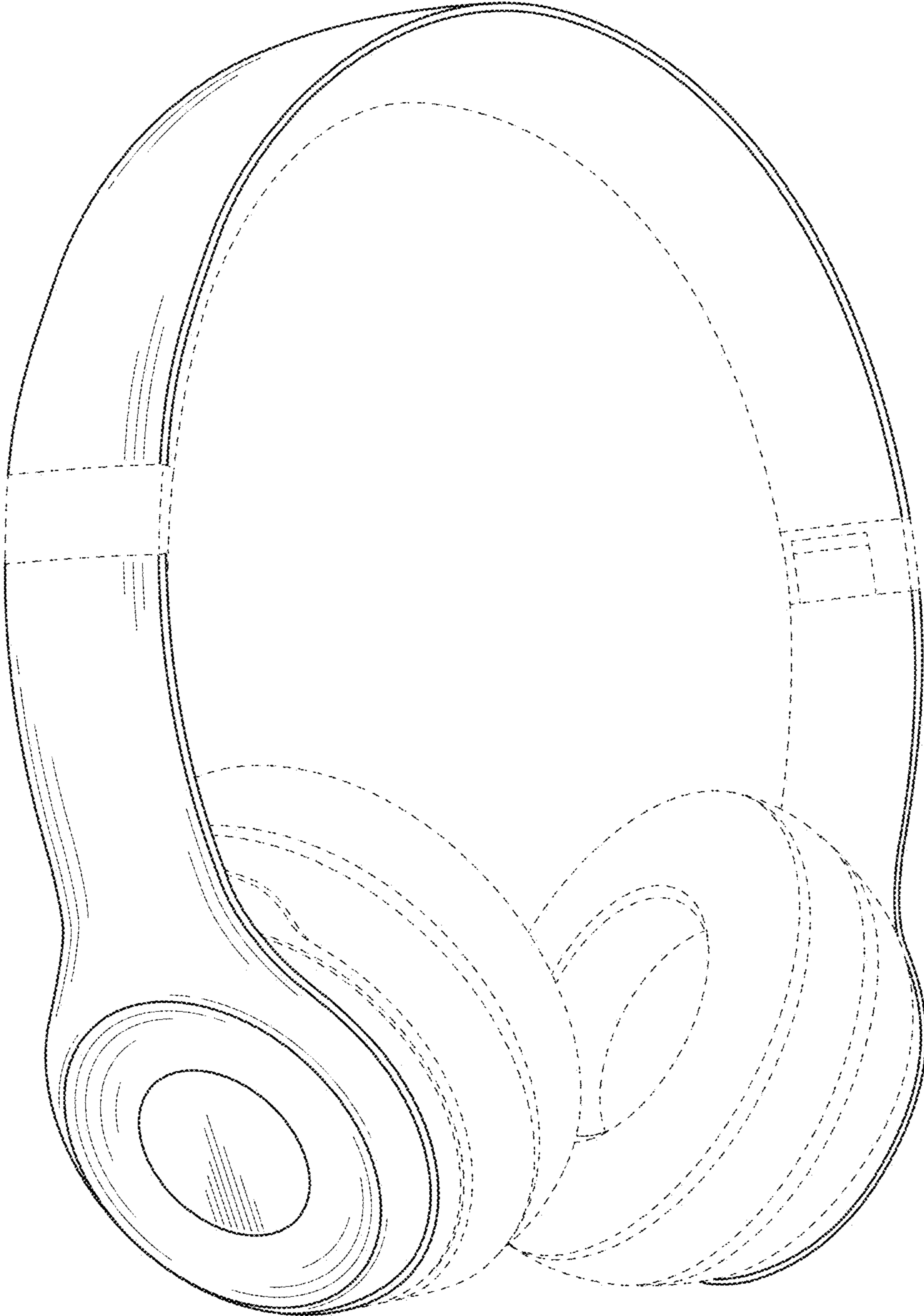


FIG. 1

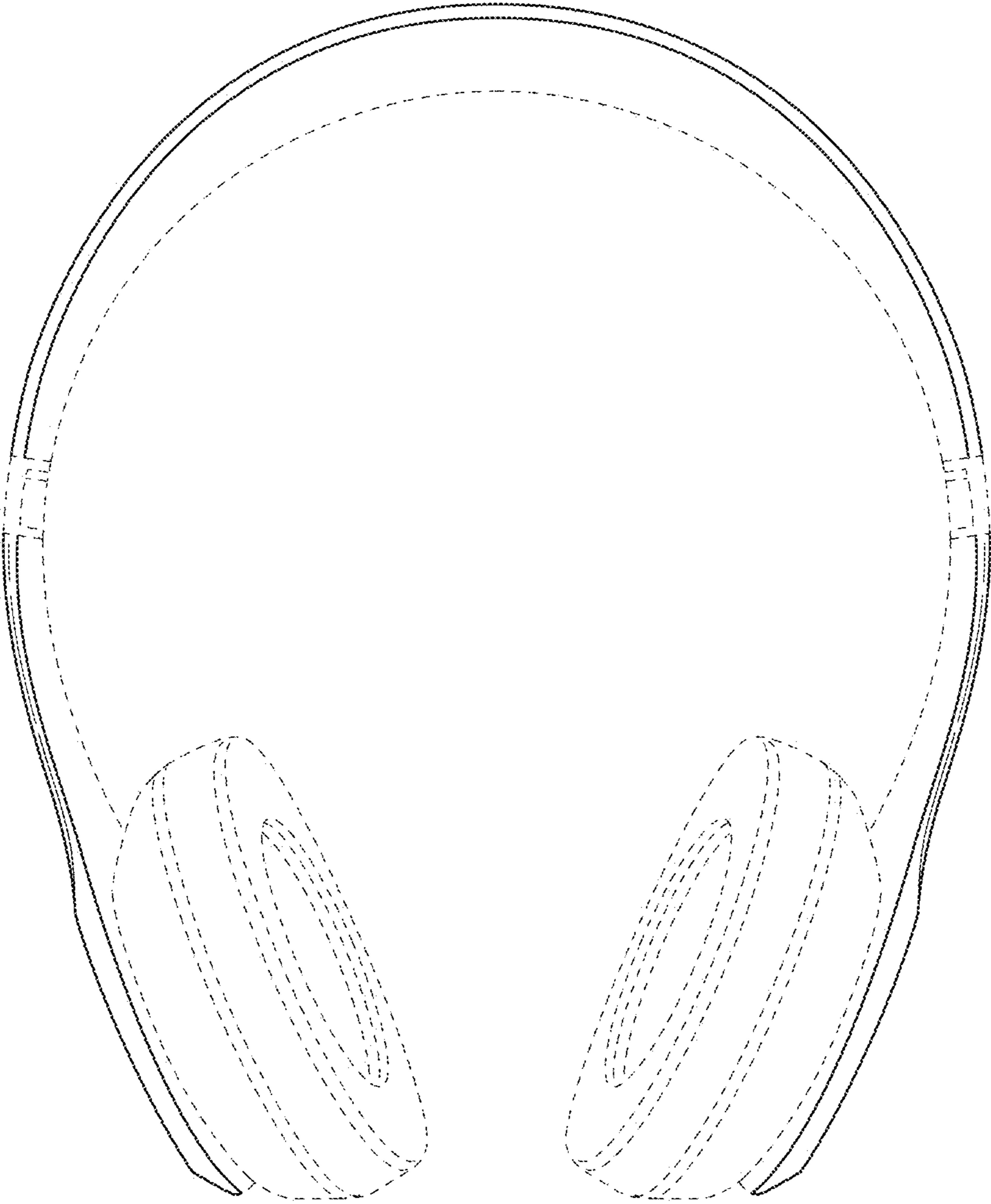


FIG. 2

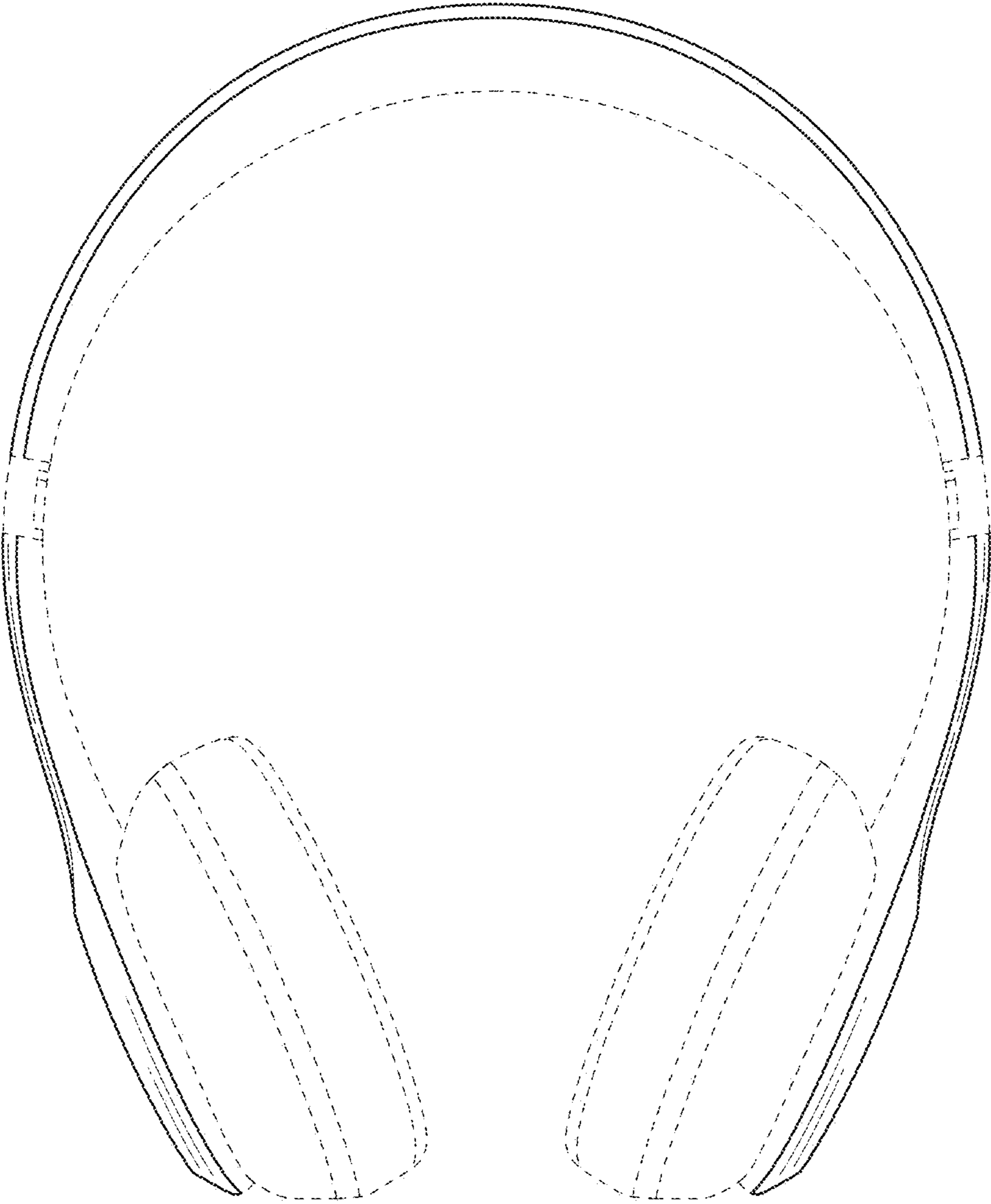


FIG. 3

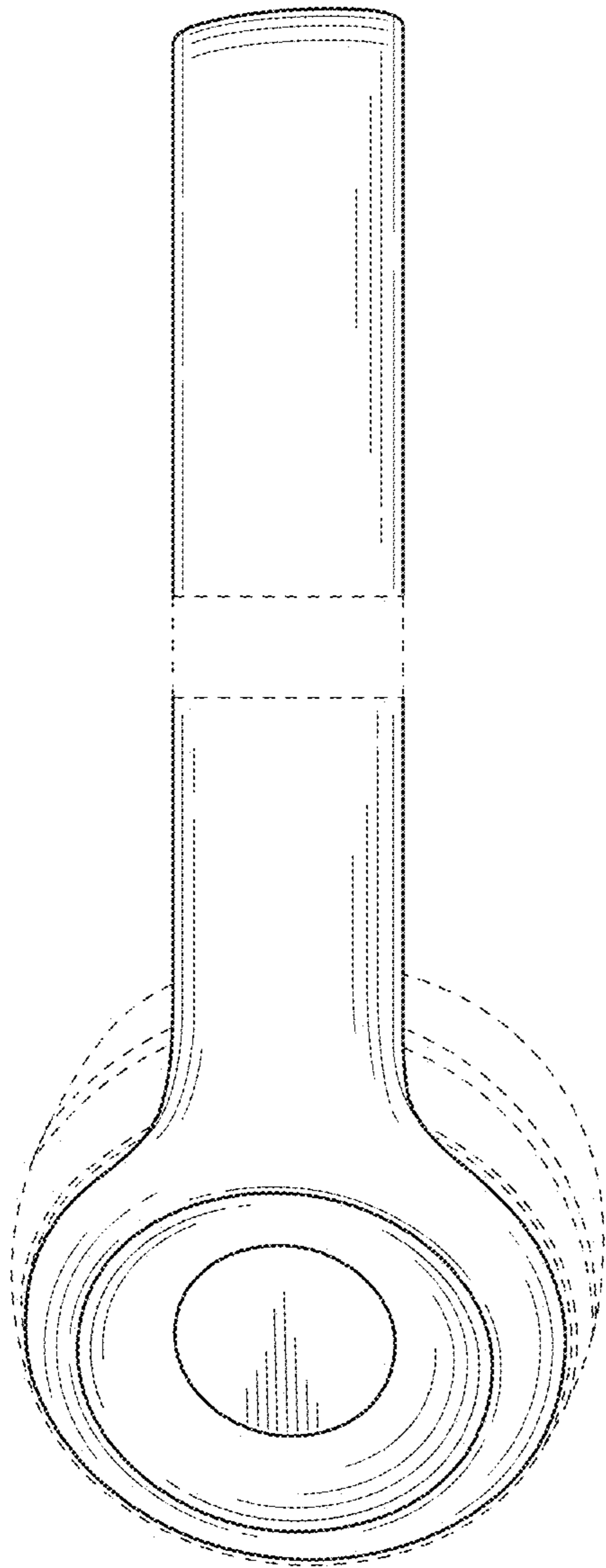


FIG. 4

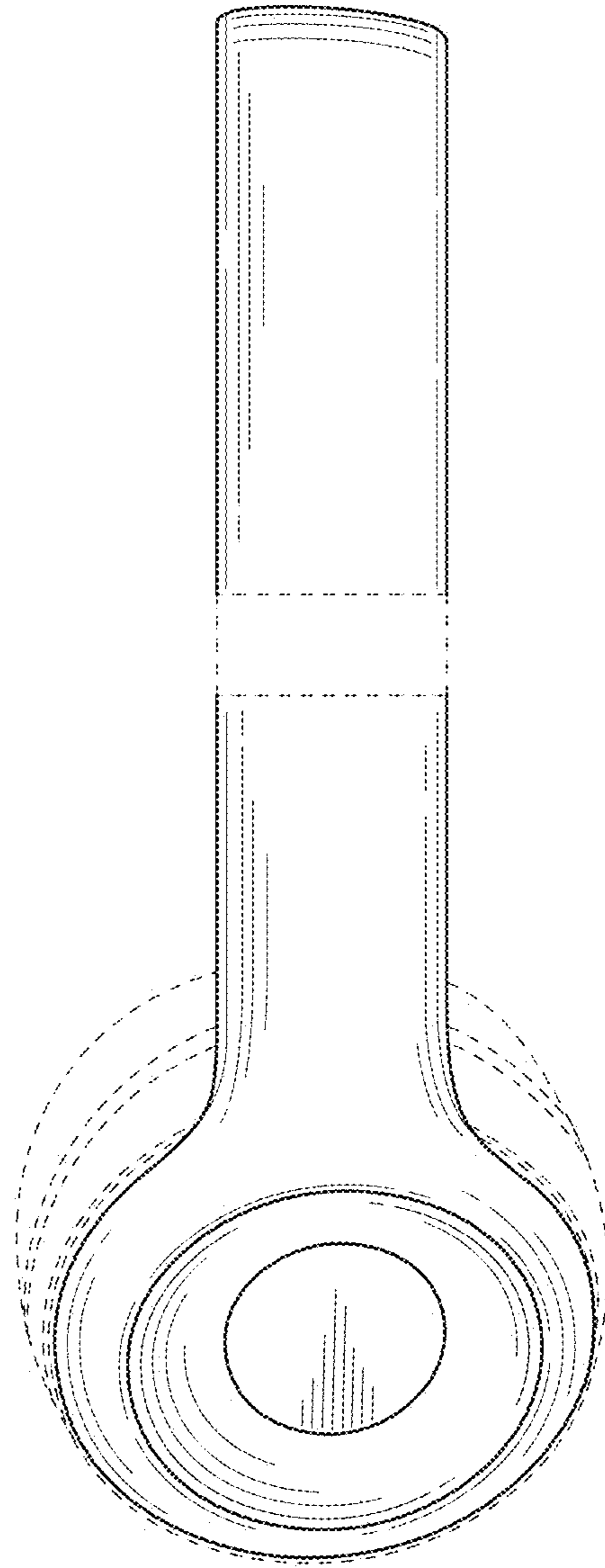


FIG. 5

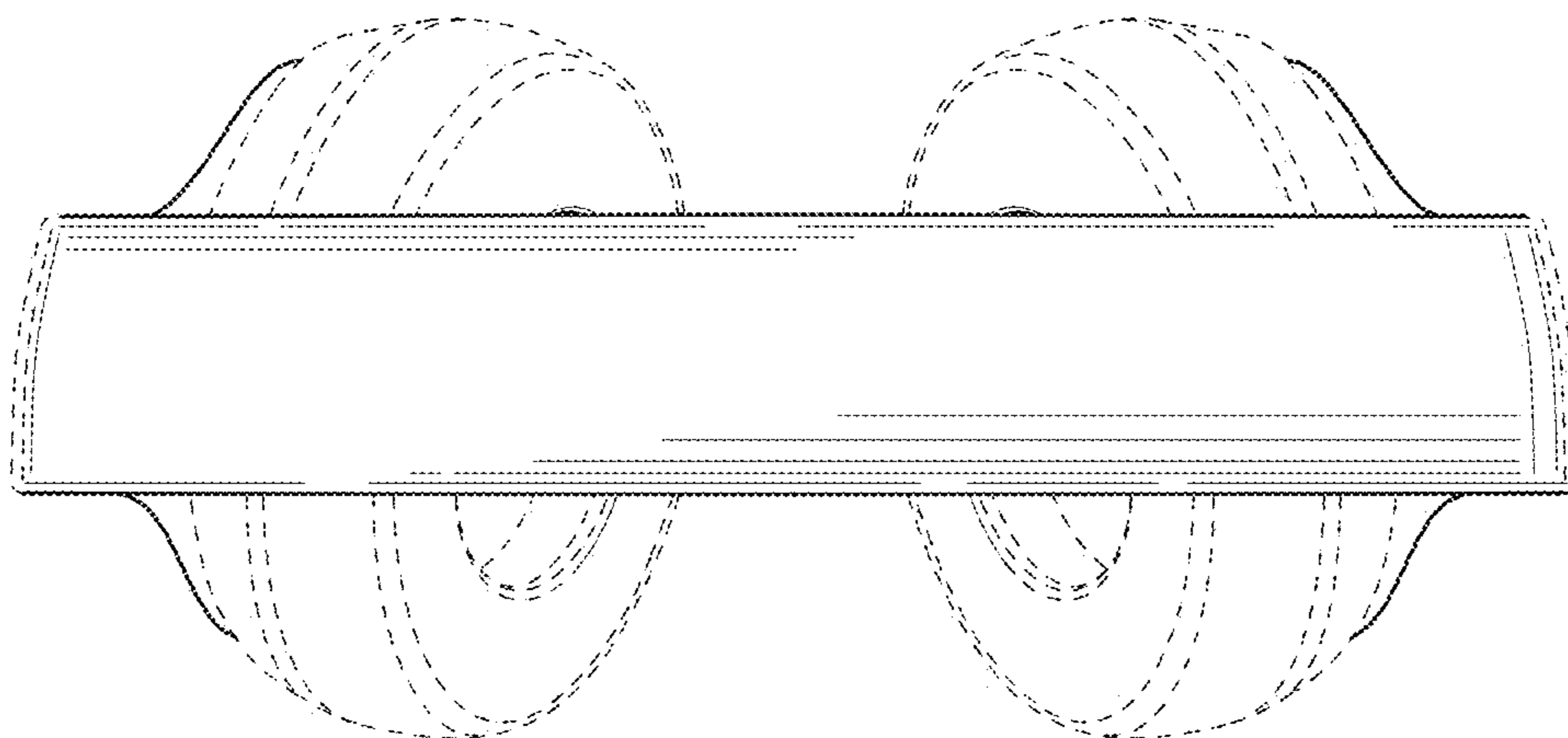


FIG. 6