



US00D950516S

(12) **United States Design Patent** (10) **Patent No.:** **US D950,516 S**
Liu (45) **Date of Patent:** **** May 3, 2022**

(54) **HEADPHONE**
(71) Applicant: **Shenzhen Jing Peng Xing Electronic Technology Co., Ltd., Shenzhen (CN)**
(72) Inventor: **Qi Liu, Shenzhen (CN)**
(**) Term: **15 Years**
(21) Appl. No.: **29/779,302**
(22) Filed: **Apr. 19, 2021**
(51) **LOC (13) Cl.** **14-01**
(52) **U.S. Cl.**
USPC **D14/205**
(58) **Field of Classification Search**
USPC D14/205, 188, 192, 485; D29/112;
2/209; D20/11, 40; D18/27; D11/81,
D11/84, 95, 97, 100, 108, 115; D3/267,
D3/270, 263, 216, 217, 236; 428/133,
428/174; D10/114.1; 381/380, 381;
455/90.3, 575.1, 569.1
CPC H04R 25/00; H04R 25/02; H04R 1/1066;
H04R 1/1016; H04R 5/033; H04R
5/0335; H04R 1/10; H04R 1/1091
See application file for complete search history.

D604,266 S * 11/2009 Milde D14/205
D635,958 S * 4/2011 Ando D14/205
D647,081 S * 10/2011 Kwon D14/223
8,098,872 B2 * 1/2012 Chang H04R 1/1075
381/371
D654,475 S * 2/2012 Chen D14/215
D657,776 S * 4/2012 Lee D14/205
D666,993 S * 9/2012 Kelley D14/205
D671,914 S * 12/2012 Lee D14/205
D678,860 S * 3/2013 Hagelin D14/205
D683,329 S * 5/2013 Hagelin D14/205
D684,559 S * 6/2013 Groset D14/205

(Continued)

FOREIGN PATENT DOCUMENTS

EM 008057400-0001 * 7/2020
EM 008465173-0001 * 3/2021

(Continued)

Primary Examiner — Paula Allen Greene

(57) **CLAIM**

The ornamental design for a headphone, as shown and described.

DESCRIPTION

FIG. 1 is a front and top perspective view of a headphone showing my new design;
FIG. 2 is a rear and bottom perspective view thereof;
FIG. 3 is a front elevation view thereof;
FIG. 4 is a rear elevation view thereof;
FIG. 5 is a left side elevation view thereof;
FIG. 6 is a right side elevation view thereof;
FIG. 7 is a top plan view thereof; and,
FIG. 8 is a bottom plan view thereof.

The broken lines in the figures illustrate portions of the headphone that form no part of the claimed design. The broken line showing of the word KID in the FIGS. 1, 2, 5, 6 and 8 depict environment that form no part of the claimed design.

1 Claim, 8 Drawing Sheets

(56) **References Cited**
U.S. PATENT DOCUMENTS

D90,768 S * 9/1933 Hutchison D11/116
D328,461 S * 8/1992 Daido D14/205
D373,326 S * 9/1996 Ilaria D11/96
D374,979 S * 10/1996 Roberson D3/217
D439,574 S * 3/2001 Katayama D14/192
D508,908 S * 8/2005 Chueh D14/205
D514,087 S * 1/2006 Wilson D14/206
7,172,052 B2 * 2/2007 Lenhard-Backhaus
H04R 1/1066
181/129
D541,255 S * 4/2007 Taylor D14/205
D585,871 S * 2/2009 Lee D14/205
D600,675 S * 9/2009 Lee D14/205

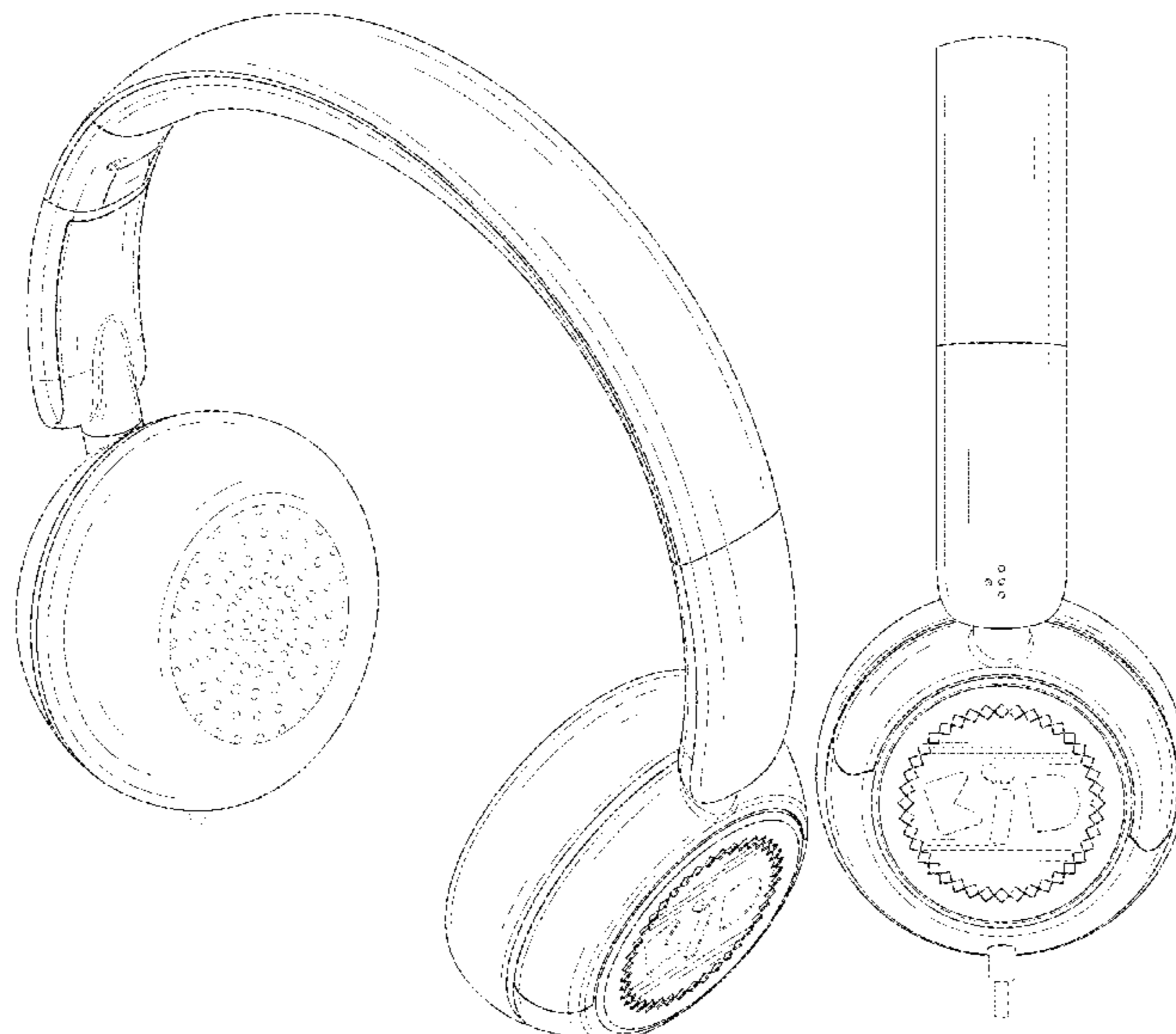




FIG. 1



FIG. 2



FIG. 3



FIG. 4

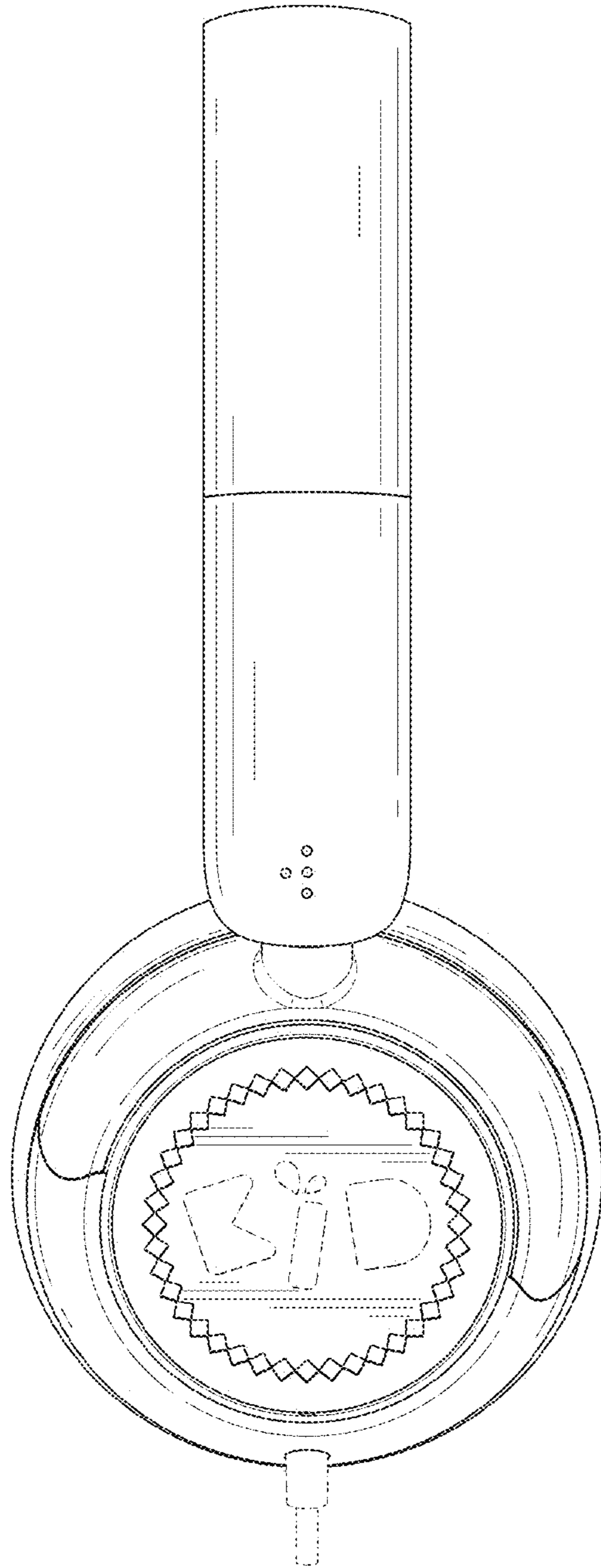


FIG. 5

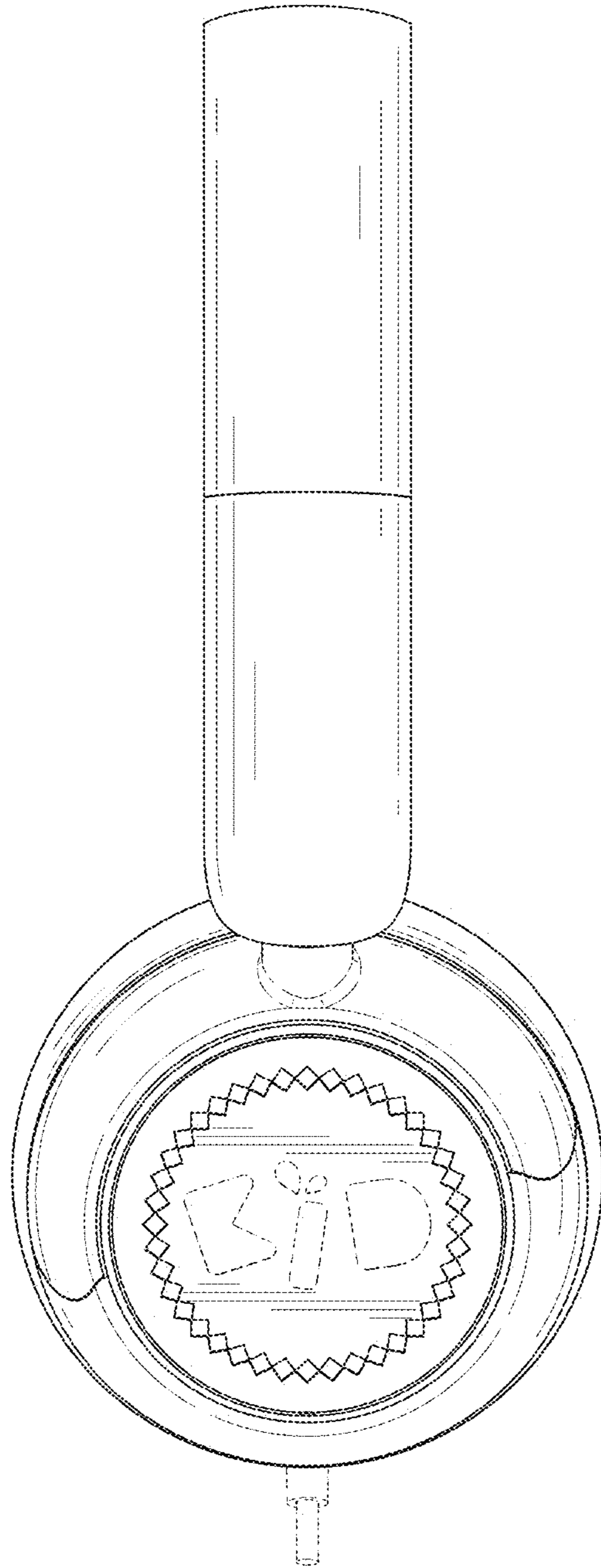


FIG. 6

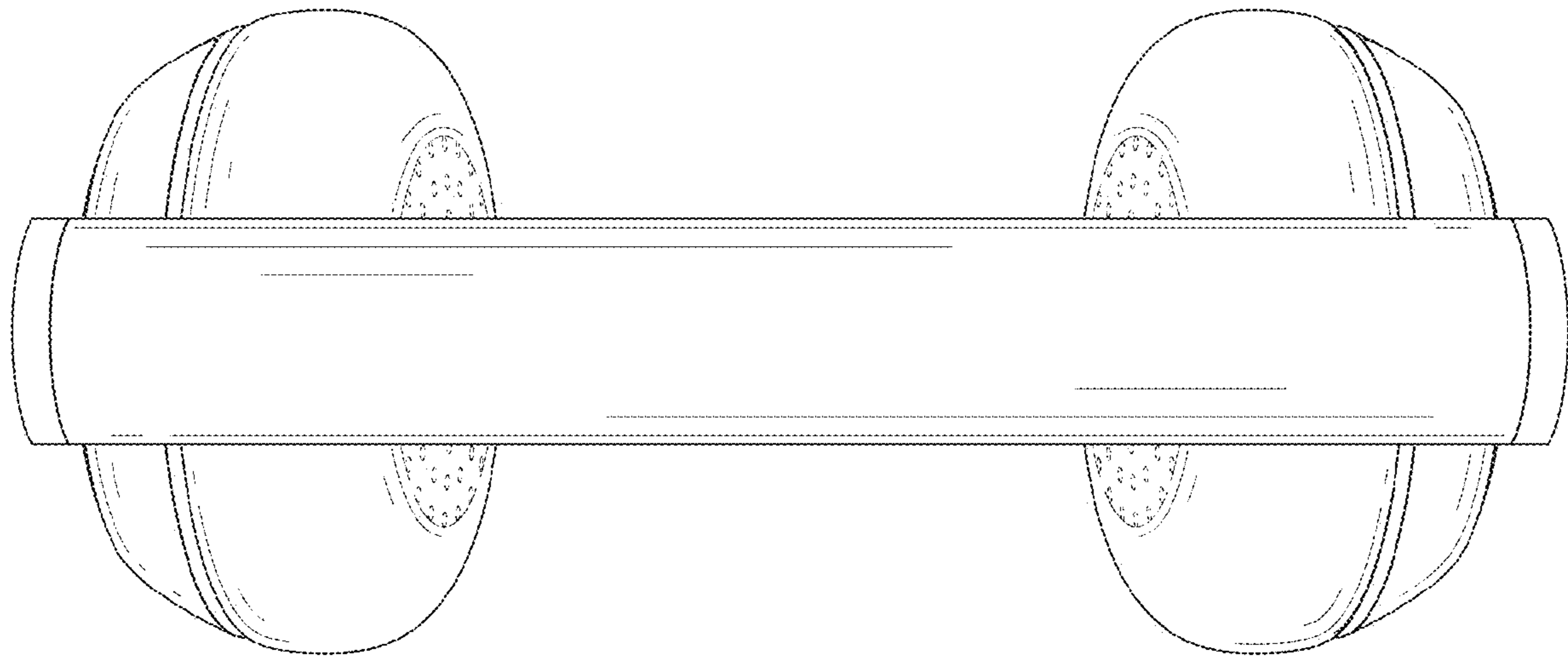


FIG. 7

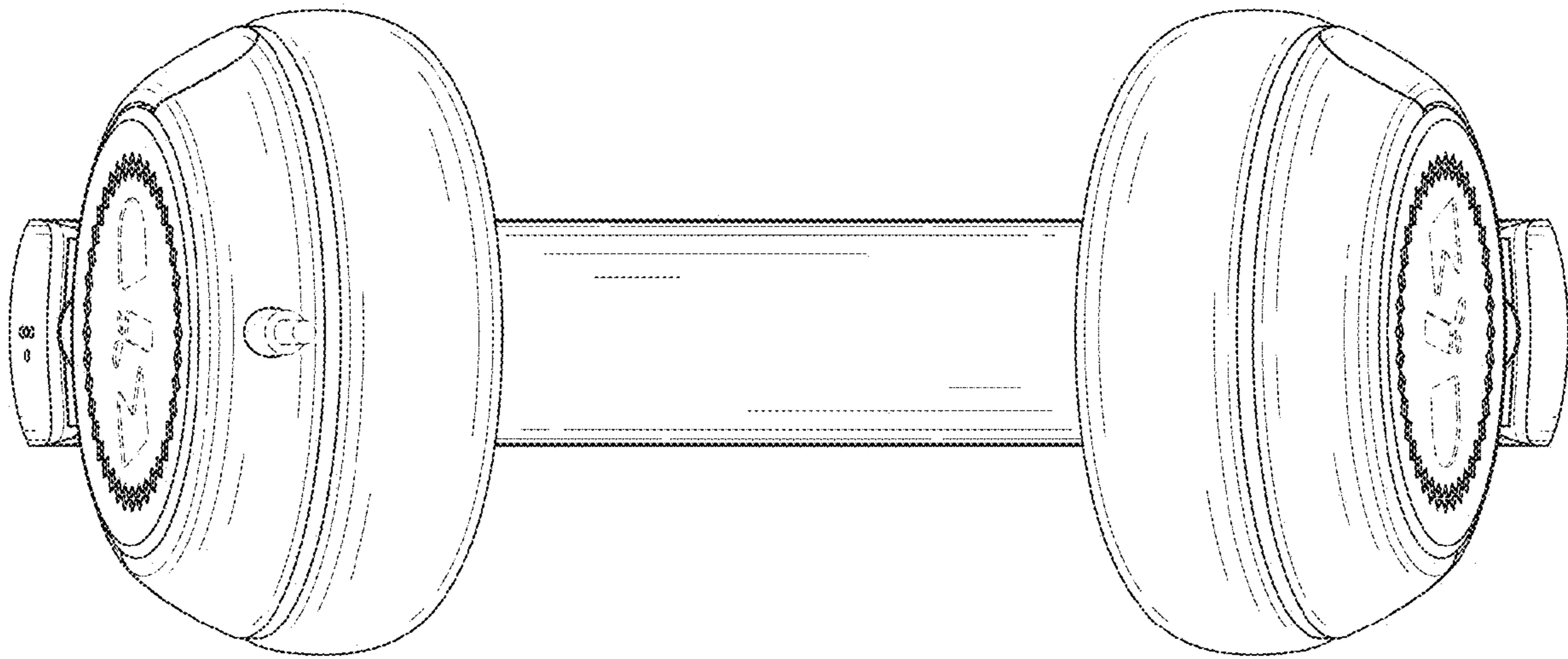


FIG. 8