

US00D950515S

(12) **United States Design Patent**
Vozzi et al.

(10) **Patent No.:** **US D950,515 S**

(45) **Date of Patent:** **** May 3, 2022**

(54) **SPEAKER**

(71) Applicant: **Axis AB**, Lund (SE)

(72) Inventors: **Mariano Vozzi**, Lund (SE); **Mathias Walter**, Lund (SE); **Sebastian Engwall**, Lund (SE); **Jonas Sjögren**, Lund (SE); **Charlotte Gunsjö**, Lund (SE); **Jonas Hansson**, Lund (SE)

(73) Assignee: **AXIS AB**, Lund (SE)

(**) Term: **15 Years**

(21) Appl. No.: **29/817,661**

(22) Filed: **Dec. 2, 2021**

Related U.S. Application Data

(62) Division of application No. 29/716,987, filed on Dec. 13, 2019.

(30) **Foreign Application Priority Data**

Jul. 11, 2019 (EM) 006620860

(51) **LOC (13) Cl.** **14-01**

(52) **U.S. Cl.**
USPC **D14/204**

(58) **Field of Classification Search**

USPC D14/155–159, 160–173, 187–188,
D14/189–198, 203.1–203.8, 204–216,
D14/217–222, 225–229, 257–258,
D14/400–416, 420, 426–431, 496,
D14/900–902; D16/131–133, 135,
D16/221–222, 227, 230–231, 234;
D18/4.1–4.6; D21/324–332, 333, 403,
D21/477, 512–513, 516, 566;
D12/174–180

(Continued)

(56) **References Cited**

U.S. PATENT DOCUMENTS

D327,690 S * 7/1992 Ogawa D14/230
5,902,023 A 5/1999 Yu et al.

(Continued)

FOREIGN PATENT DOCUMENTS

CN 304138862 S 5/2017
CN 304327461 S 10/2017

(Continued)

OTHER PUBLICATIONS

RayBit Bluetooth Speakerphone, date first available: Sep. 1, 2021, [retrieved Feb. 23, 2022], Retrieved from Internet, URL: <https://www.amazon.com/dp/B09F654ZND/ref=sspa_dk_detail_3?psc=1&pd_rd_i=B09F654ZND&pd_rd_w=jA43B&pf_rd_p=b9951ce4-3bd8-4b04-91%E2%80%A6> (Year: 2021).*

(Continued)

Primary Examiner — Barbara Fox

Assistant Examiner — Aram Kwon

(74) *Attorney, Agent, or Firm* — Tucker Ellis LLP

(57) **CLAIM**

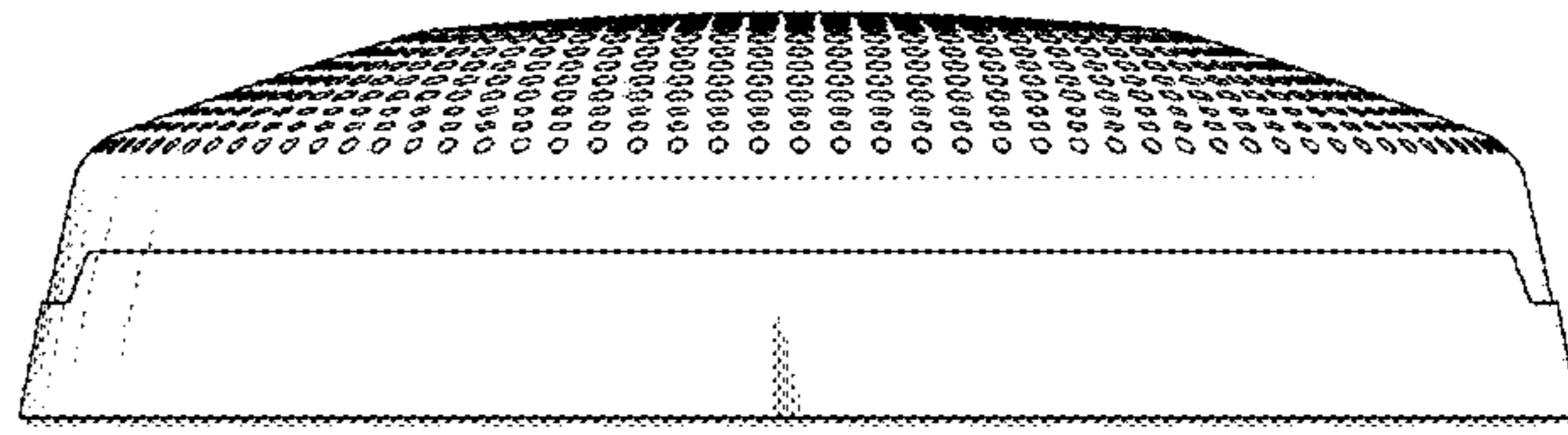
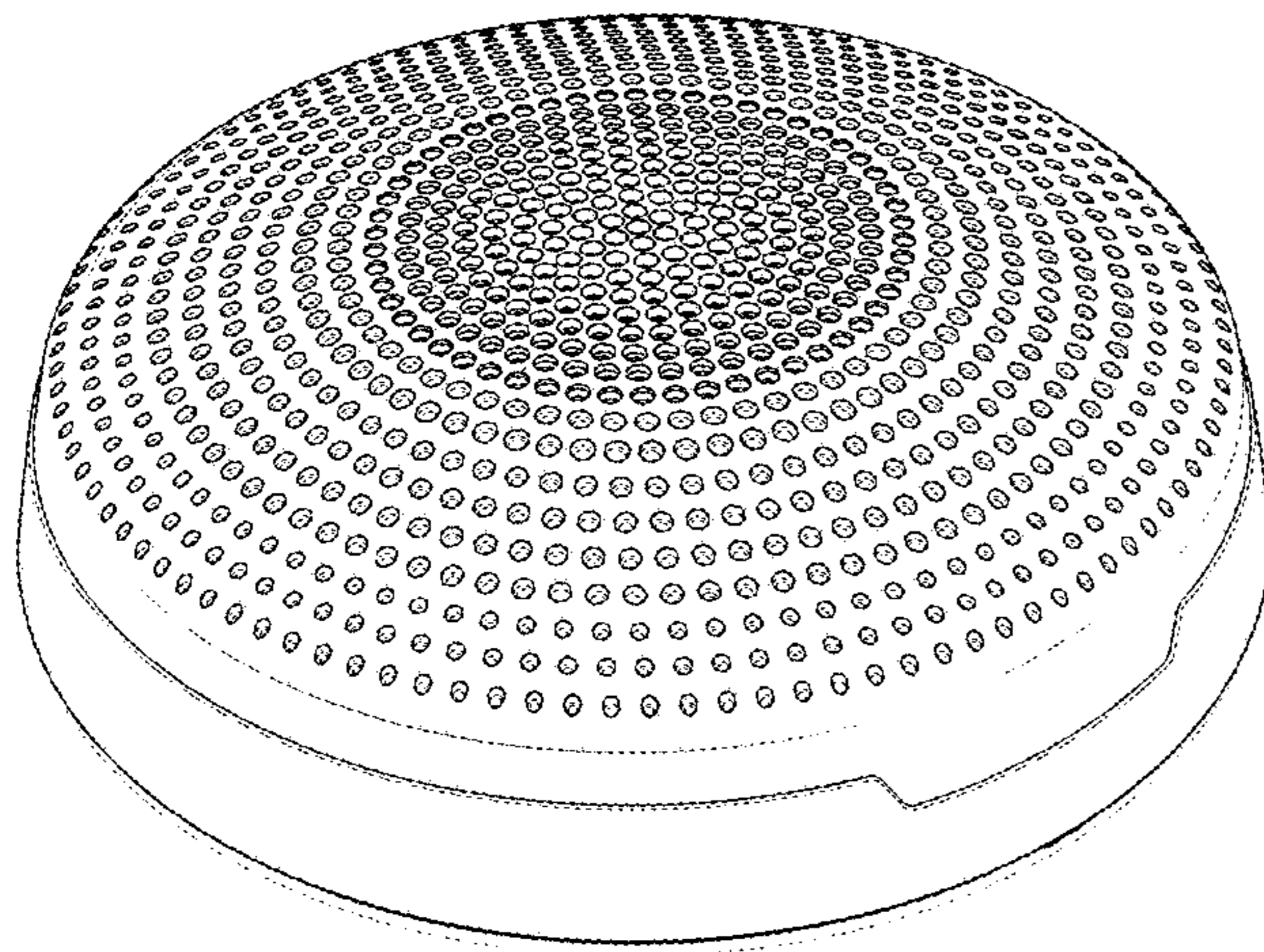
The ornamental design for a speaker, as shown and described.

DESCRIPTION

FIG. 1 is a perspective view of a speaker showing our new design;
FIG. 2 is a front view thereof;
FIG. 3 is a rear view thereof;
FIG. 4 is a right side view thereof;
FIG. 5 is a left side view thereof;
FIG. 6 is a top view thereof; and,
FIG. 7 is a bottom view thereof.

The broken lines illustrate portions of the speaker that form no part of the claimed design.

1 Claim, 5 Drawing Sheets



(58) **Field of Classification Search**
 CPC H04R 1/02; H04R 1/021; H04R 1/025;
 H04R 1/026; H04R 1/028; H04R 1/06;
 H04R 1/105; H04R 1/323; H04R 1/403;
 H04R 1/2803; H04R 1/2834
 See application file for complete search history.

CN	307041657	* 12/2021
CN	307107613	* 2/2022
EM	004423275-0002	10/2017
EM	004561835-0001	5/2018
EM	006620860-0001	7/2019
EM	007509583-0004	1/2020
GB	9006620860-0001	7/2019
JP	D1602863 S	5/2018
JP	D1661758	* 6/2020
KR	301075143.0000	* 9/2020

(56) **References Cited**

U.S. PATENT DOCUMENTS

D537,072 S	2/2007	Kim et al.	
D591,269 S *	4/2009	Kim	D14/216
D596,159 S *	7/2009	Yamaji	D14/216
D636,760 S *	4/2011	Cheng	D14/216
D645,071 S	9/2011	Hinkel	
D666,575 S	9/2012	Marsh	
D682,805 S	5/2013	Rath	
D730,872 S *	6/2015	Wan	D14/216
D752,199 S *	3/2016	Berkman	D23/370
D756,957 S *	5/2016	Nylen	D14/204
D770,417 S	11/2016	Chen	
D771,512 S	11/2016	Kalyan et al.	
D773,332 S	12/2016	Kalyan et al.	
D784,963 S	4/2017	Saule et al.	
D803,191 S	11/2017	Luo et al.	
D820,238 S	6/2018	Boshernitzan et al.	
D822,004 S	7/2018	Tan	
D828,333 S	9/2018	Hu	
D829,690 S	10/2018	Chen	
D856,961 S	8/2019	Suzuki	
D860,198 S	9/2019	Engwall et al.	
D863,247 S	10/2019	Suzuki	
D866,518 S *	11/2019	Ding	D14/216
D879,737 S	3/2020	Suzuki	
D885,367 S	5/2020	Guo et al.	
D886,801 S *	6/2020	Feng	D14/216
D890,733 S	7/2020	Østensen et al.	
D901,427 S *	11/2020	Zhang	D14/149
D919,591 S	5/2021	Manz	
D920,276 S *	5/2021	Law	D14/149
D920,948 S	6/2021	Tak et al.	
D920,949 S	6/2021	Matarese et al.	
D934,191 S	10/2021	Lv et al.	
D934,194 S	10/2021	Simonelli et al.	
2015/0339896 A1	11/2015	Stagg	

FOREIGN PATENT DOCUMENTS

CN	305031946 S	2/2019
CN	305843239 S	6/2020
CN	306941684	* 11/2021
CN	306972507	* 11/2021
CN	307002580	* 12/2021
CN	307034594	* 12/2021

OTHER PUBLICATIONS

Axis C1410 Network Mini Speaker, date not available, [retrieved Feb. 23, 2022], Retrieved from Internet, URL: <<https://www.camcentral.net/product/axis-c1410-network-mini-speaker/>> (Year: 2022).*

Axis C1410 Network Mini Speaker, date not available, [retrieved Feb. 23, 2022], Retrieved from Internet, URL: <<https://www.cdw.com/product/axis-c1410-network-mini-speaker-ip-speaker-for-pa-system/6070576>> (Year: 2022).*

Axis C1410 Network Mini Speaker, date not available, [retrieved Feb. 23, 2022], Retrieved from Internet, URL: <<https://tecustry.com/9268/product/23133497/axis-c1410-network-mini-speaker-ip-speaker-for-pa-system>> (Year: 2022).*

Axis C1410 Network Mini Speaker, Sep. 11, 2020, [retrieved Feb. 23, 2022], Retrieved from Internet, URL: <<https://www.securityinfowatch.com/alarms-monitoring/alarm-systems-intrusion-detection/sensors-detectors-audio-based/product/21151302/axis-communications-axis-c1410-network-mini-speaker>> (Year: 2020).*

Axis C1410 Speaker System, date not available, [retrieved Feb. 23, 2022], Retrieved from Internet, URL: <<https://www.pcnation.com/web/details/6KR554/axis-c1410-speaker-system-01916-001>> (Year: 2022).*

AXIS Communications C1410 Network Mini Speaker, date not available, [retrieved Feb. 23, 2022], Retrieved from Internet, URL: <<https://www.affinitechstore.com/axis-communications-c1410-network-mini-speaker-01916-001/>> (Year: 2022).*

Review: Google Nest Mini, Oct. 29, 2019, [retrieved Feb. 23, 2022], Retrieved from Internet, URL: <<https://www.wired.com/review/google-nest-mini/>> (Year: 2019).*

Search Report from corresponding Taiwanese Application No. 109300171, completed on May 19, 2020.

Axis: "C1410 Network Mini Speaker", Retrieved from the Internet: URL: <https://www.camcentral.net/product/axis-1410-network-mini-speaker>.

Axis: "C1410 Network Mini Speaker", Retrieved from the Internet: URL: <https://www.axis.com/products/axis-c1410>.

Axis: "C1410 Network Mini Speaker installation tutorial"; dated May 12, 2020; Retrieved from the Internet: URL: <https://vww.youtube.com/watch?v=TSZXjduuzTg>.

* cited by examiner

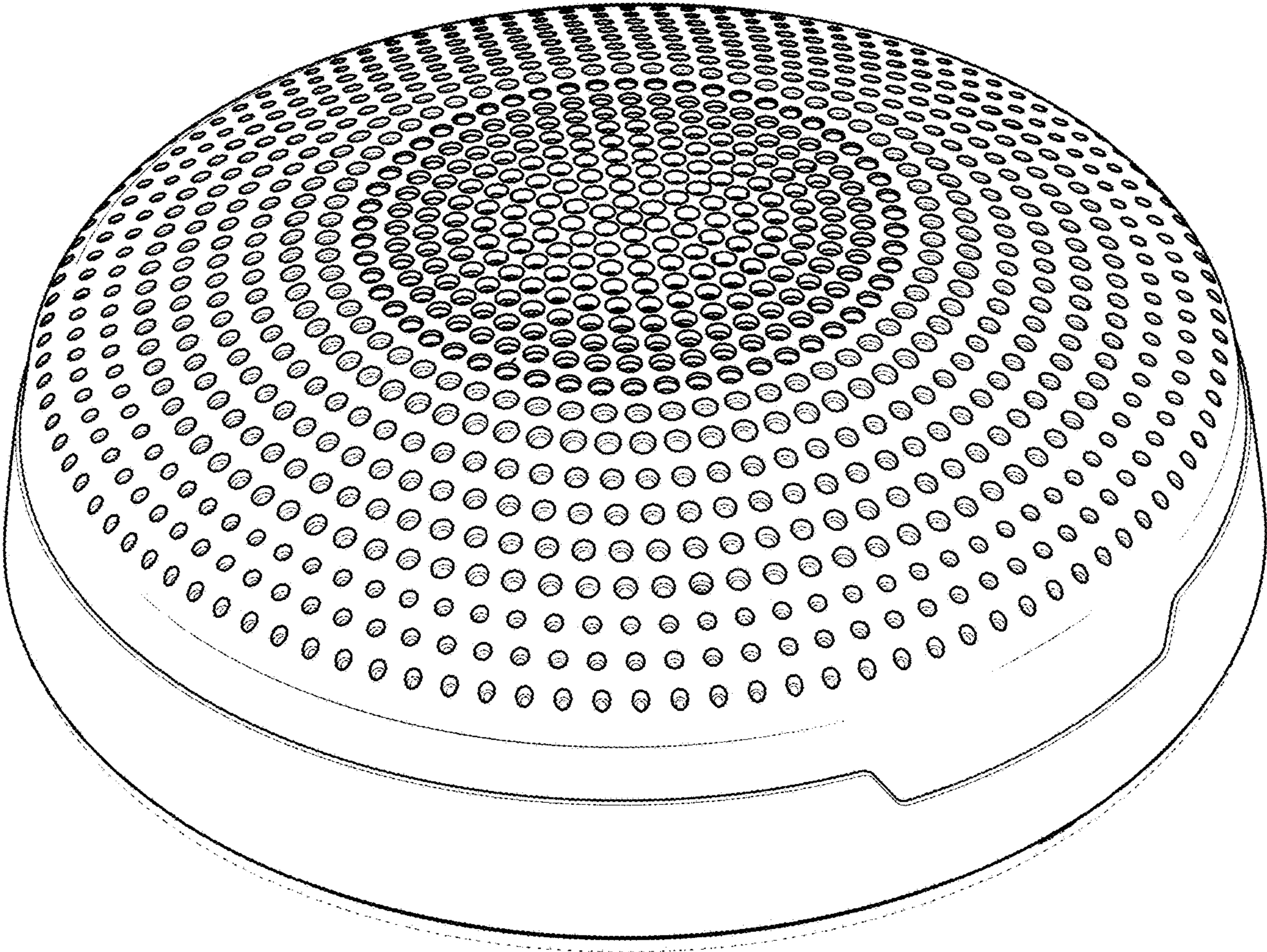


FIG. 1

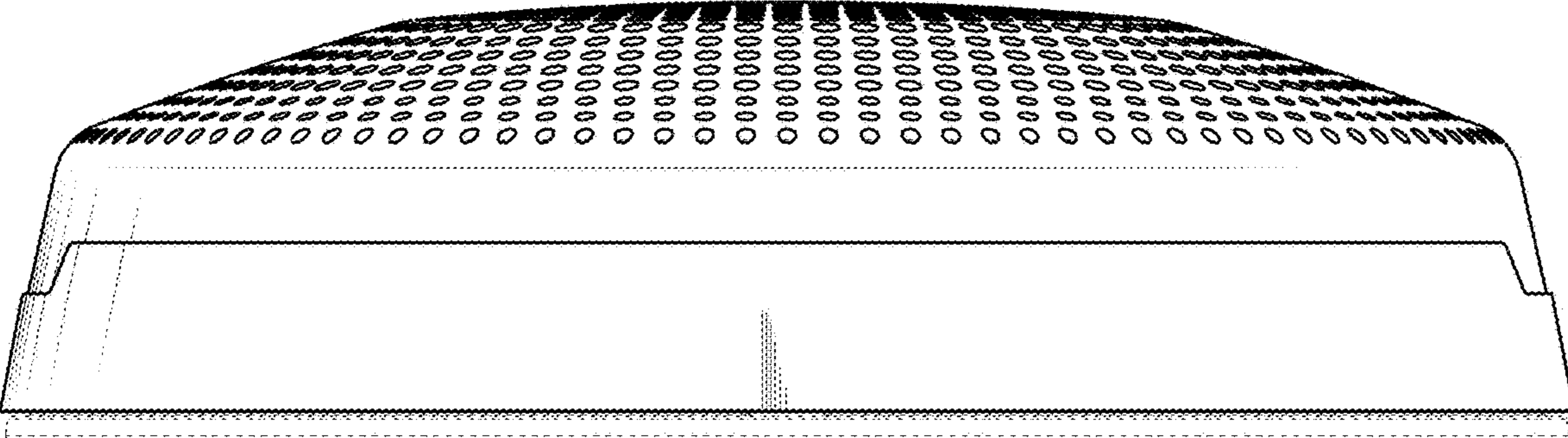


FIG. 2

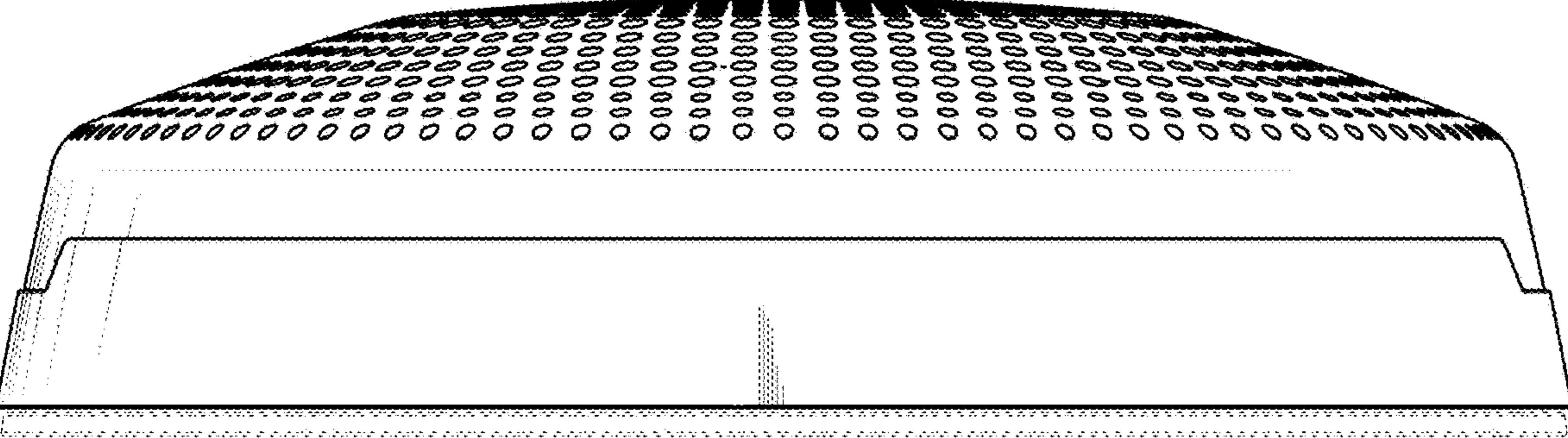


FIG. 3

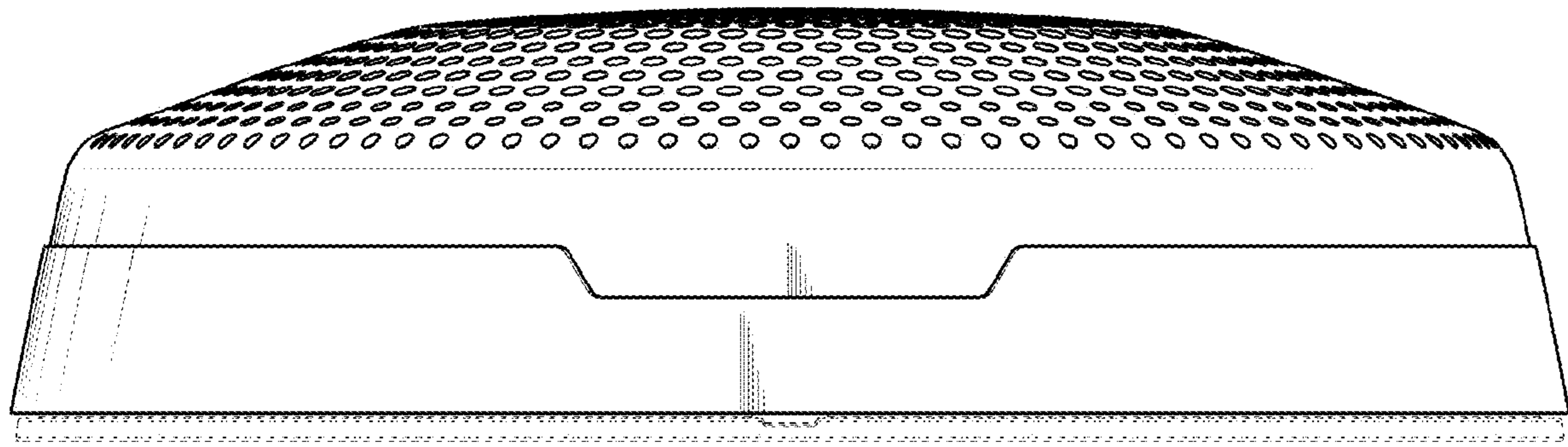


FIG. 4

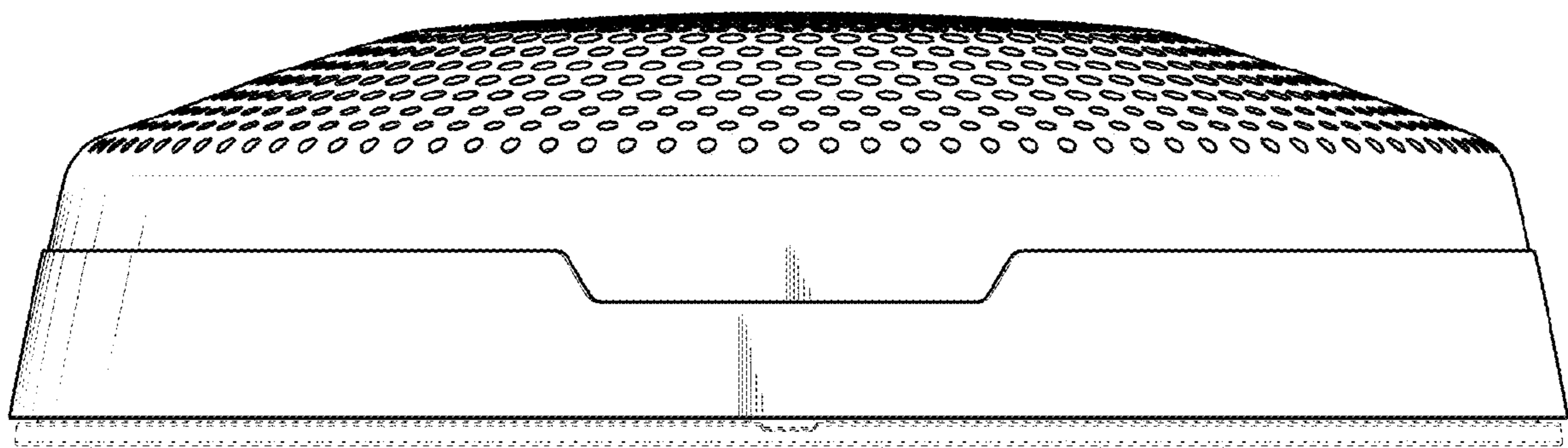


FIG. 5

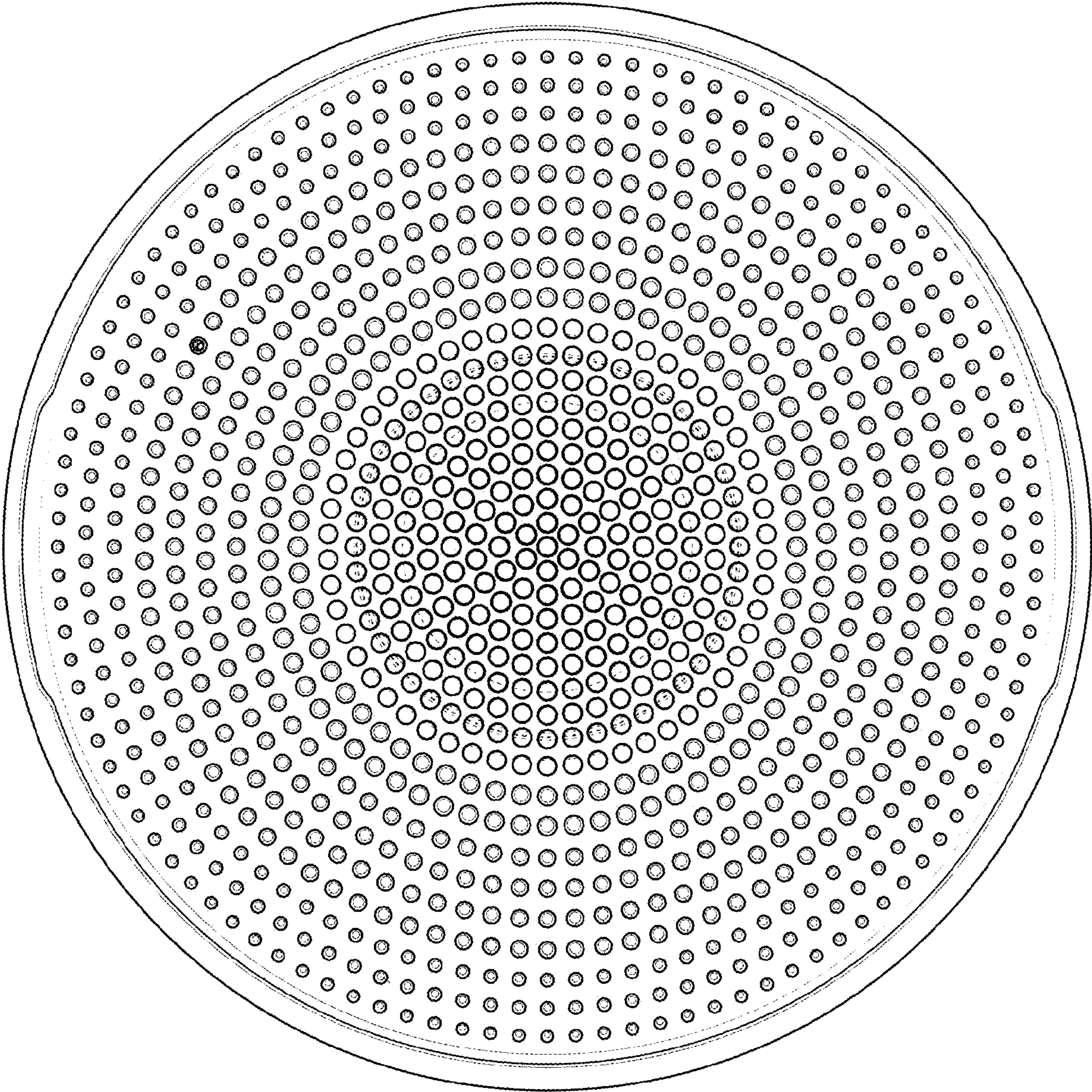


FIG. 6

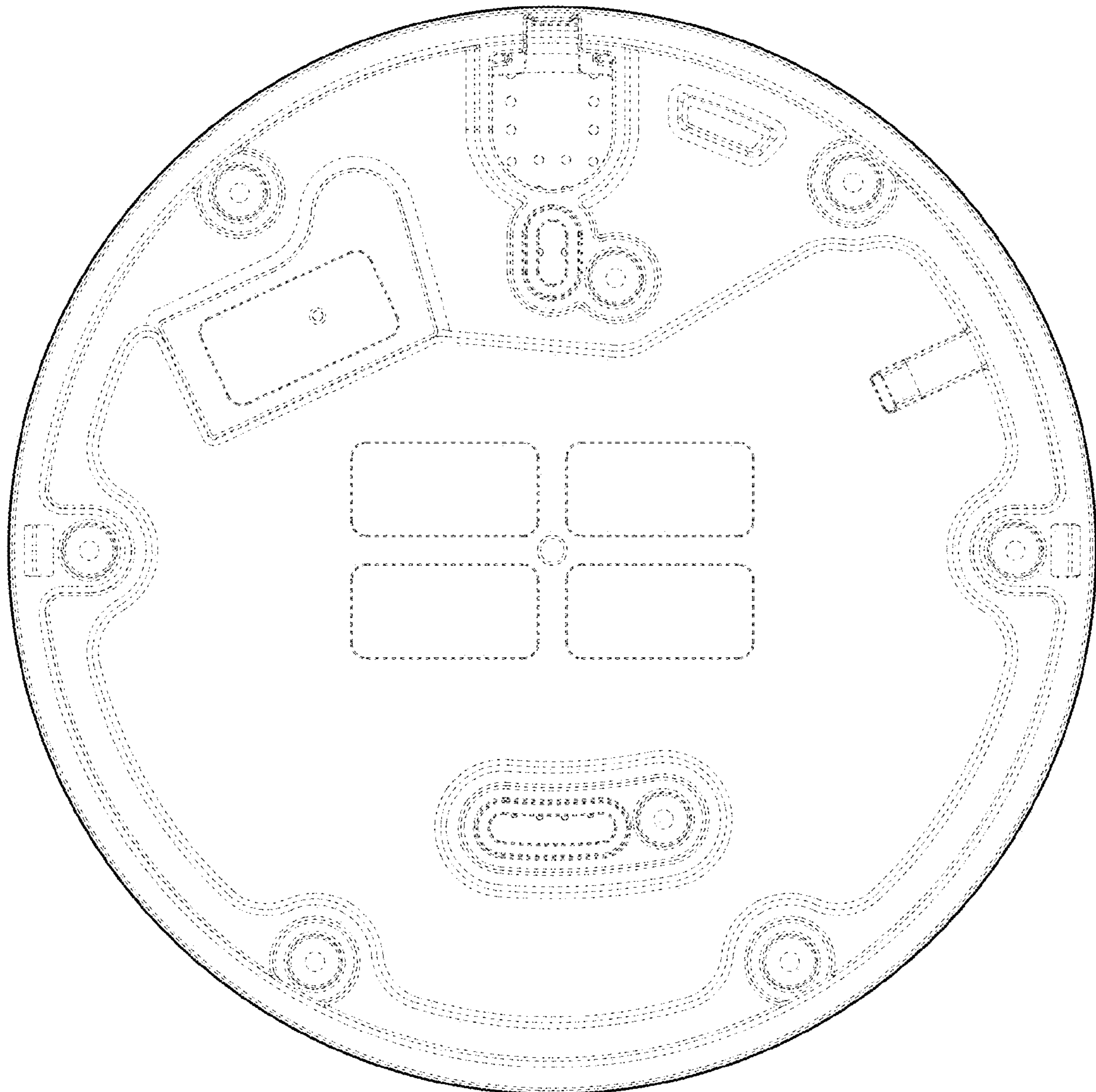


FIG. 7