



US00D950514S

(12) **United States Design Patent**
Vozzi et al.

(10) **Patent No.:** **US D950,514 S**

(45) **Date of Patent:** **** May 3, 2022**

(54) **SPEAKER**

(71) Applicant: **Axis AB**, Lund (SE)

(72) Inventors: **Mariano Vozzi**, Lund (SE); **Mathias Walter**, Lund (SE); **Sebastian Engwall**, Lund (SE); **Jonas Sjögren**, Lund (SE); **Charlotte Gunsjö**, Lund (SE); **Jonas Hansson**, Lund (SE)

(73) Assignee: **AXIS AB**, Lund (SE)

(**) Term: **15 Years**

(21) Appl. No.: **29/716,987**

(22) Filed: **Dec. 13, 2019**

(30) **Foreign Application Priority Data**

Jul. 11, 2019 (EM) 006620860

(51) **LOC (13) Cl.** **14-01**

(52) **U.S. Cl.**
USPC **D14/204**

(58) **Field of Classification Search**
USPC D14/125–126, 155–159, 160–173,
D14/187–188, 203.1–203.8, 204–216,
D14/217–222, 225–229, 445, 496, 500;
D16/200–208, 211, 216–219, 221, 225,
D16/230, 237
CPC H04R 1/02; H04R 1/021; H04R 1/025;
H04R 1/026; H04R 1/028; H04R 1/06;
H04R 1/105; H04R 1/323; H04R 1/403;
H04R 1/2803; H04R 1/2834
See application file for complete search history.

(56) **References Cited**

U.S. PATENT DOCUMENTS

5,902,023 A * 5/1999 Yu H04R 1/02
312/7.2
D537,072 S * 2/2007 Kim D14/215
D645,071 S * 9/2011 Hinkel D16/203

D666,575 S * 9/2012 Marsh D14/159
D682,805 S * 5/2013 Rath D14/149
D770,417 S * 11/2016 Chen D14/216
D771,512 S * 11/2016 Kalyan D10/106.5
D773,332 S * 12/2016 Kalyan D10/106.5

(Continued)

FOREIGN PATENT DOCUMENTS

CN 304138862 S 5/2017
CN 304327461 S 10/2017

(Continued)

OTHER PUBLICATIONS

Axis C1410 Network Mini Speaker, date not available, [retrieved Dec. 2, 2021], Retrieved from Internet, URL: <<https://www.camcentral.net/product/axis-c1410-network-mini-speaker/>> (Year: 2021).*

(Continued)

Primary Examiner — Barbara Fox
Assistant Examiner — Aram Kwon
(74) *Attorney, Agent, or Firm* — Tucker Ellis LLP

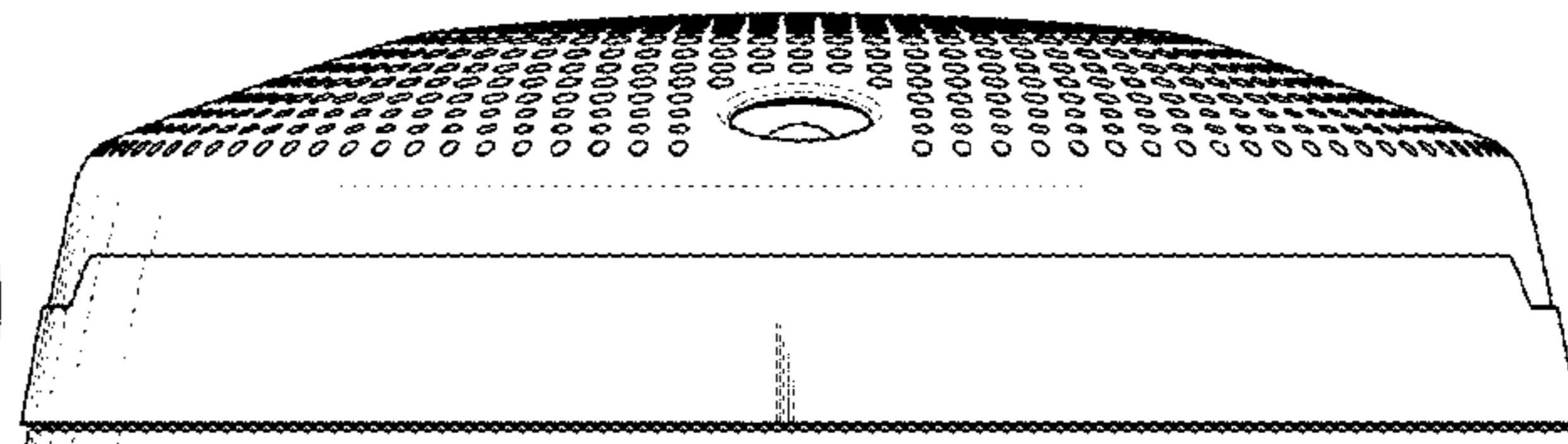
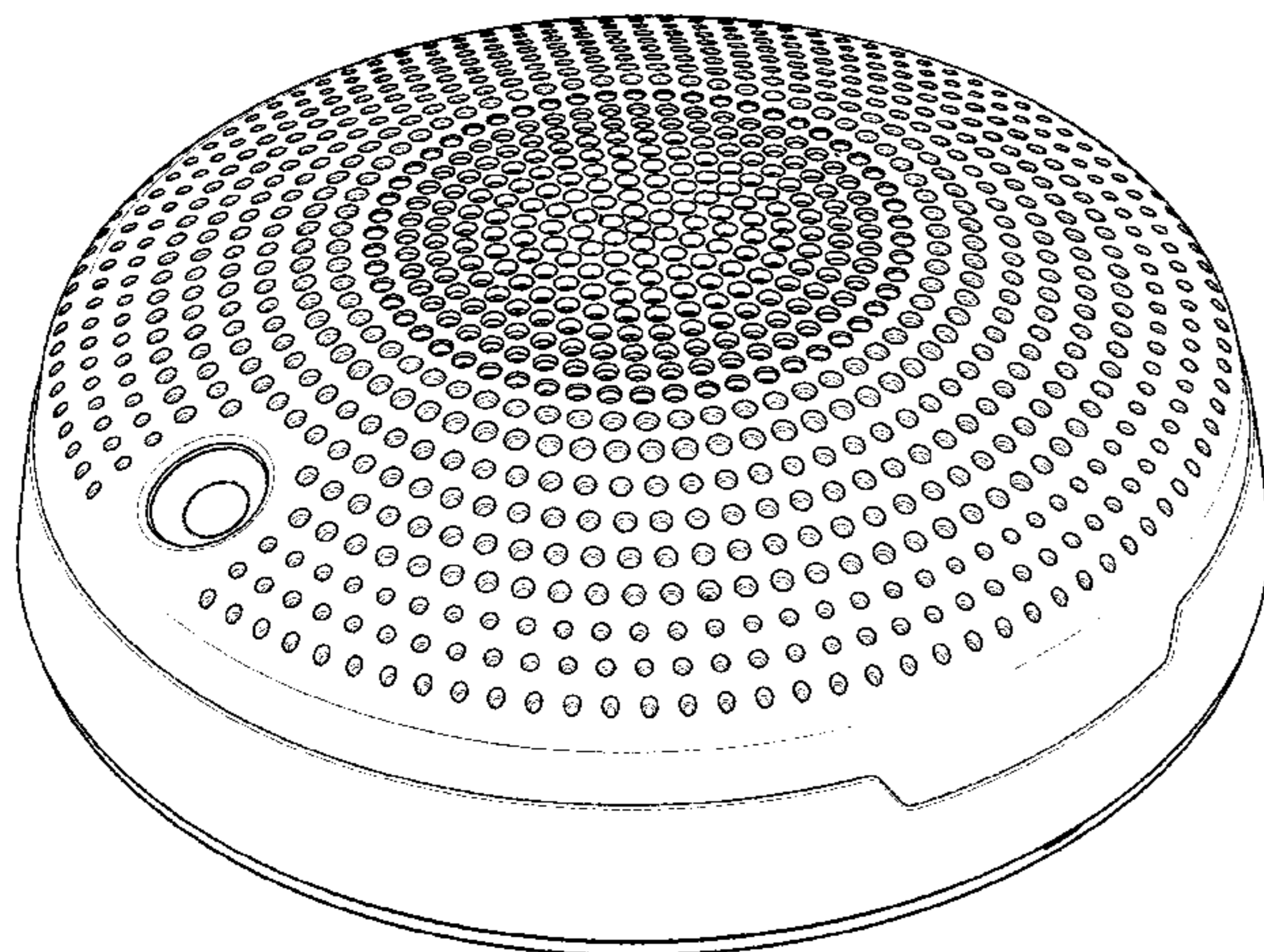
(57) **CLAIM**

The ornamental design for a speaker, as shown and described.

DESCRIPTION

FIG. 1 is a perspective view of a speaker showing our new design;
FIG. 2 is a front view thereof;
FIG. 3 is a rear view thereof;
FIG. 4 is a right side view thereof;
FIG. 5 is a left side view thereof;
FIG. 6 is a top view thereof; and,
FIG. 7 is a bottom view thereof.
The broken lines illustrate portions of the speaker that form no part of the claimed design.

1 Claim, 5 Drawing Sheets



(56)

References Cited

U.S. PATENT DOCUMENTS

D784,963 S * 4/2017 Saule D14/228
 D795,115 S * 8/2017 Parker D10/118.2
 D803,191 S * 11/2017 Luo D14/216
 D820,238 S * 6/2018 Boshernitzan D14/218
 D822,004 S * 7/2018 Tan D14/216
 D828,333 S * 9/2018 Hu D14/216
 D829,690 S * 10/2018 Chen D14/216
 D850,939 S * 6/2019 Siminoff D10/101
 D851,529 S * 6/2019 Brainard D10/106.5
 D856,961 S * 8/2019 Suzuki D14/149
 D860,198 S * 9/2019 Engwall D14/356
 D863,247 S * 10/2019 Suzuki D14/149
 D879,737 S * 3/2020 Suzuki D14/149
 D885,367 S * 5/2020 Guo D14/216
 D890,733 S * 7/2020 Ostensen D14/228
 D896,116 S * 9/2020 Brainard D10/106.5
 D919,591 S * 5/2021 Manz D14/205
 D920,948 S * 6/2021 Tak D14/204
 D920,949 S * 6/2021 Matarese D14/204
 D934,191 S * 10/2021 Lv D14/149
 D934,194 S * 10/2021 Simonelli D14/204
 2015/0339896 A1 * 11/2015 Stagg G08B 17/10
 340/521

FOREIGN PATENT DOCUMENTS

CN 305031946 * 2/2019
 CN 305843239 * 6/2020
 EM 004423275-0002 10/2017
 EM 004561835-0001 5/2018
 EM 006620860-0001 * 3/2020
 EM 007509583-0004 * 10/2020
 GB 9006620860-0001 * 7/2019
 JP D1602863 S 5/2018

OTHER PUBLICATIONS

Axis C1410 Network Mini Speaker, date not available, [retrieved Dec. 2, 2021], Retrieved from Internet, URL: <<https://www.axis.com/products/axis-c1410>> (Year: 2021).*

Axis C1410 Network Mini Speaker installation tutorial, May 12, 2020, [retrieved Dec. 2, 2021], Retrieved from Internet, URL: <<https://www.youtube.com/watch?v=TSZXjduuzTg>> (Year: 2020).*

Search Report from corresponding Taiwanese Application No. 109300171, completed on May 19, 2020.

* cited by examiner

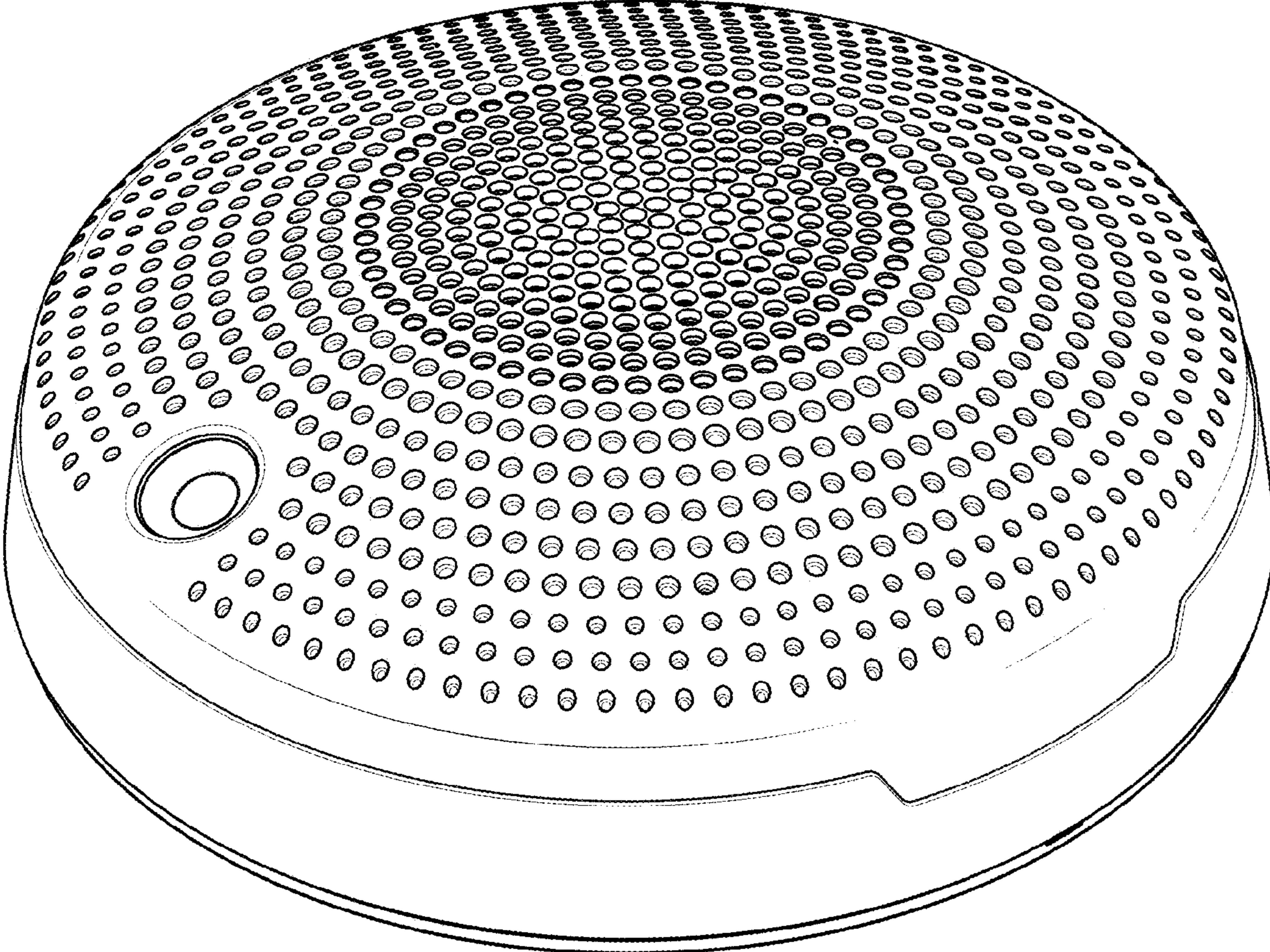


FIG. 1

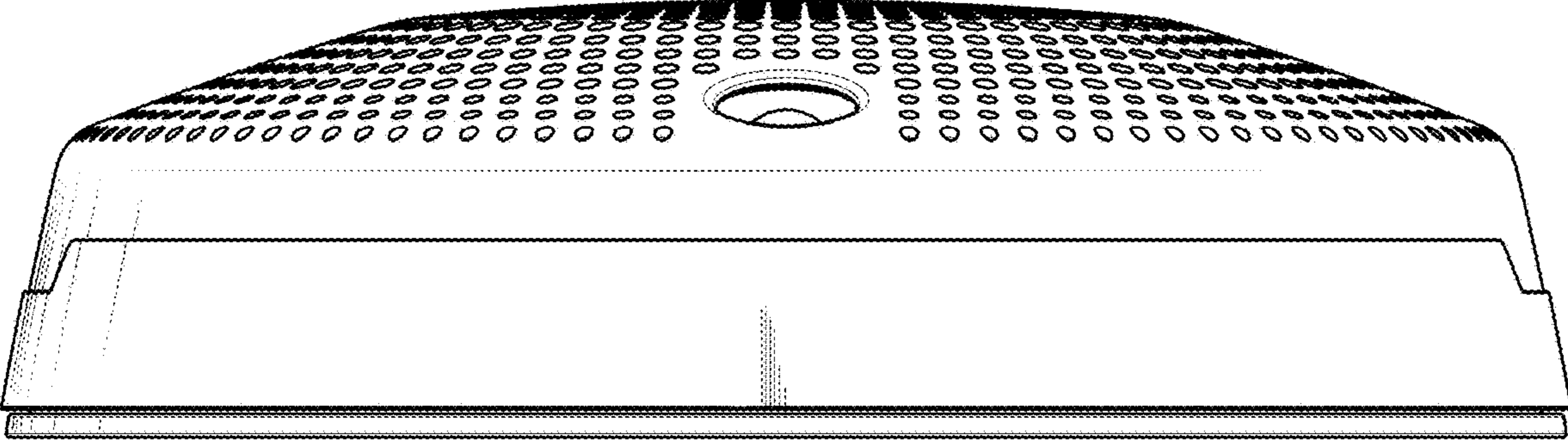


FIG. 2

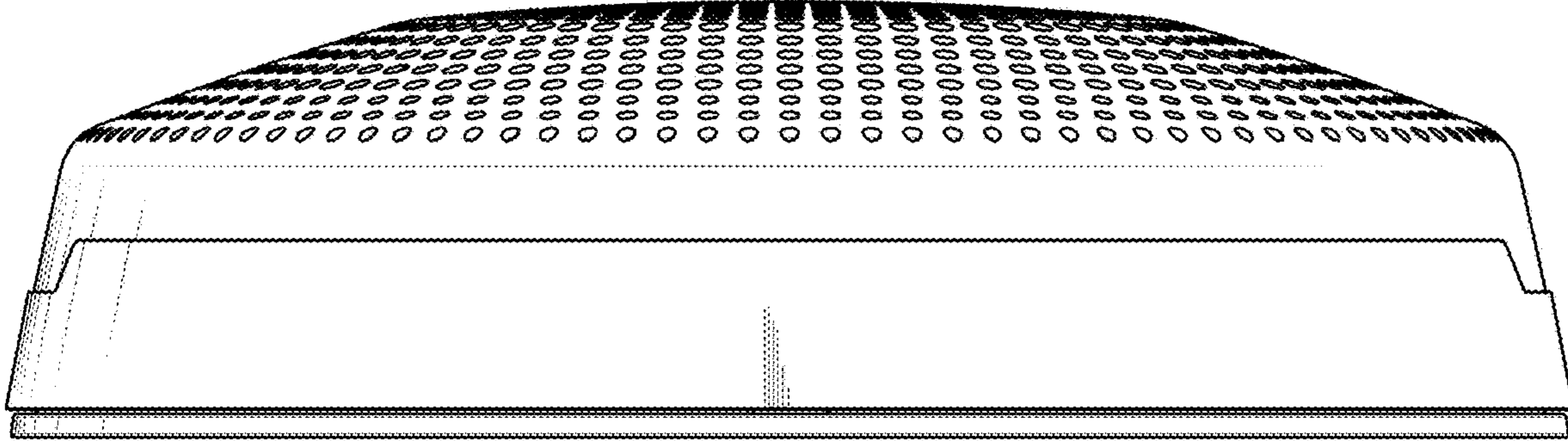


FIG. 3

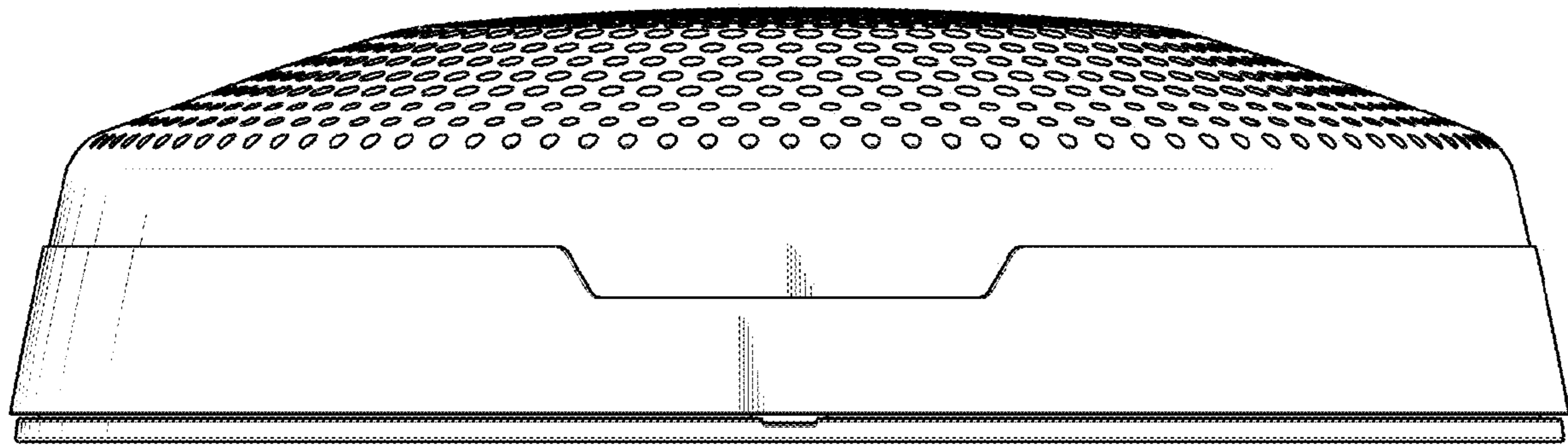


FIG. 4

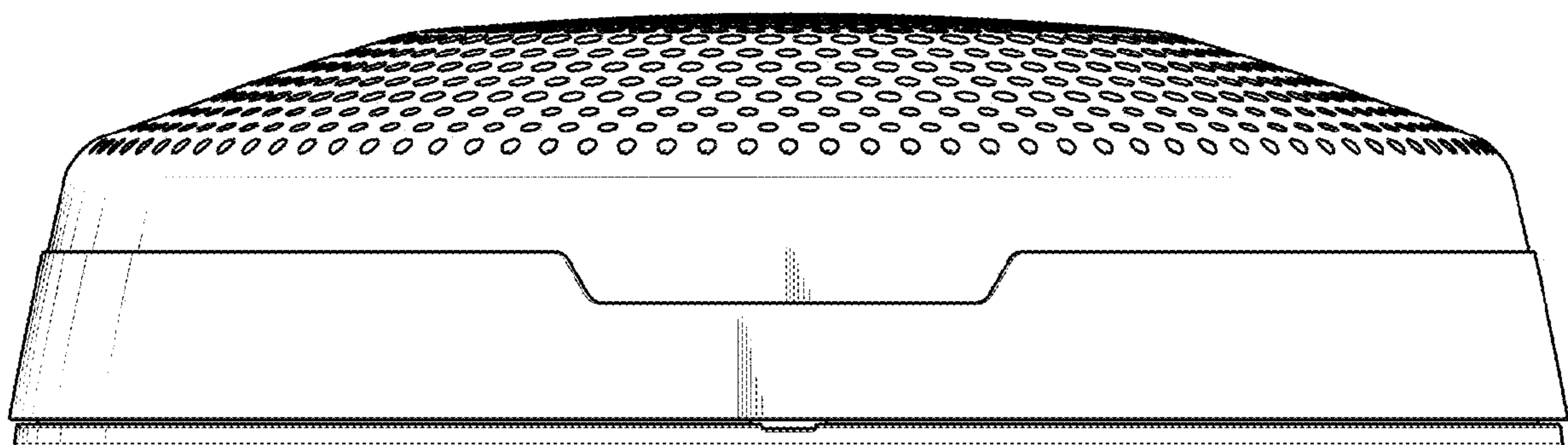


FIG. 5

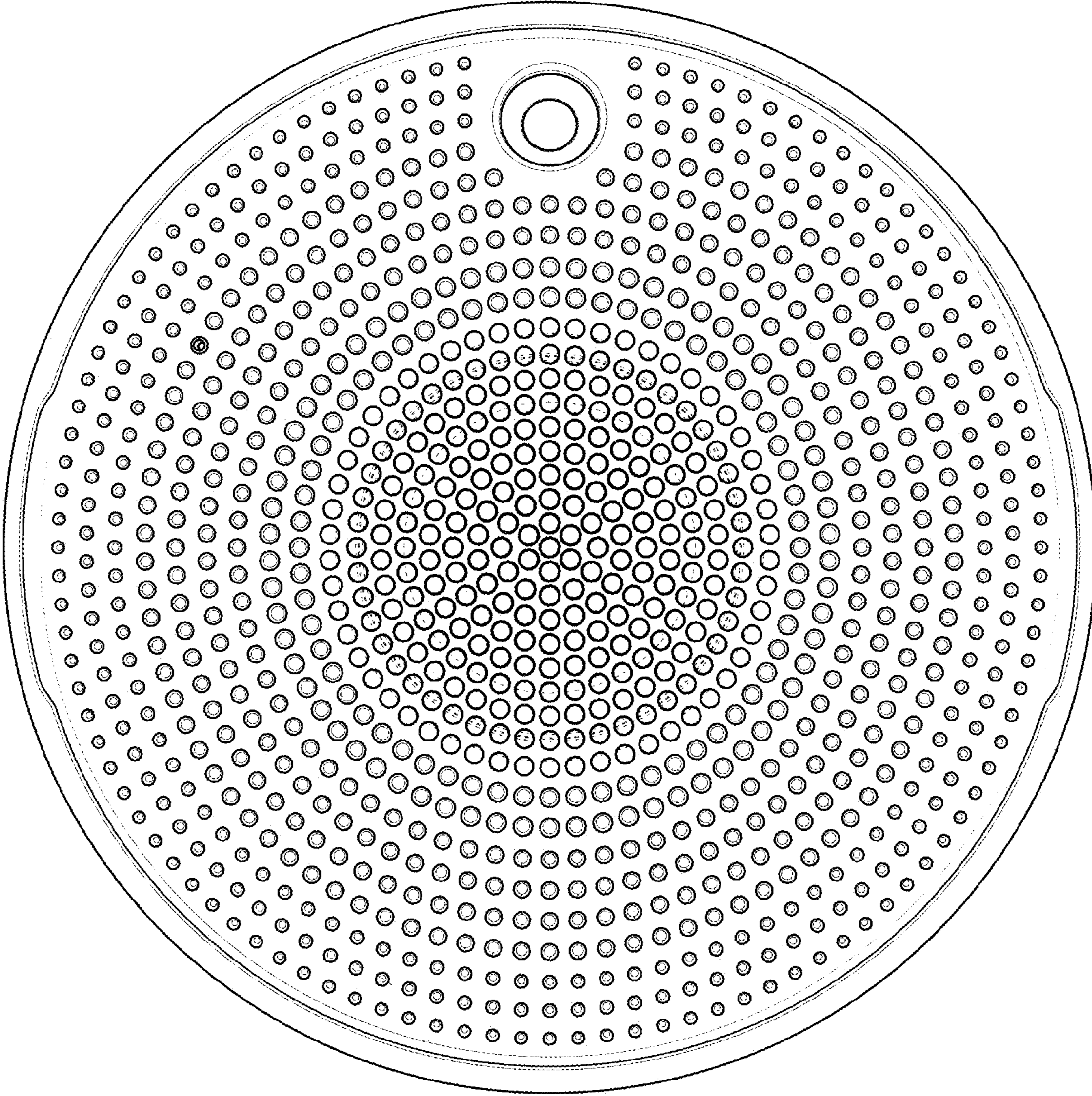


FIG. 6

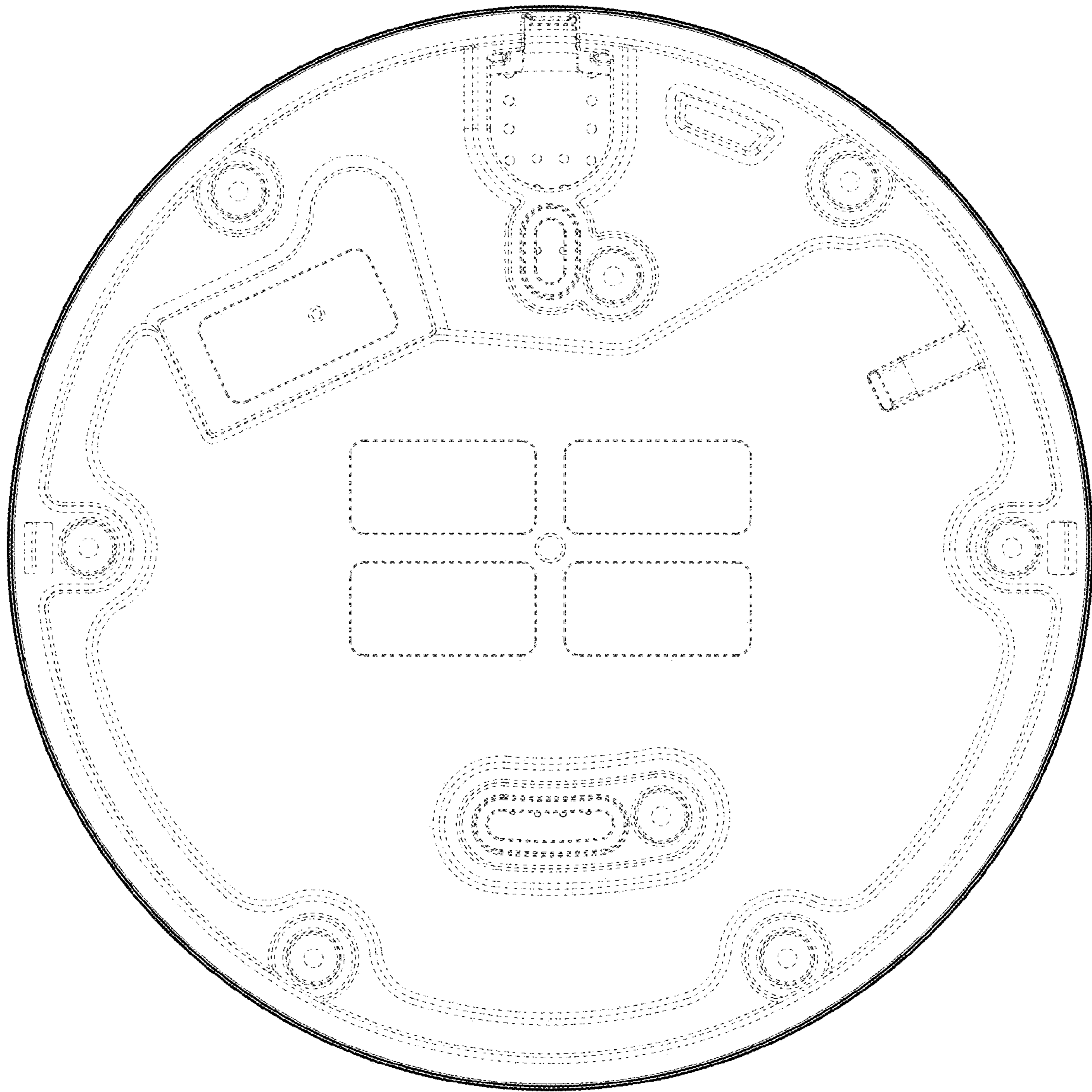


FIG. 7