



US00D950513S

(12) **United States Design Patent** (10) **Patent No.:** **US D950,513 S**
Ou (45) **Date of Patent:** **** May 3, 2022**

(54) **RADIO**

(71) Applicant: **Qiyang Ou**, Wuzhou (CN)

(72) Inventor: **Qiyang Ou**, Wuzhou (CN)

(**) Term: **15 Years**

(21) Appl. No.: **29/784,325**

(22) Filed: **May 19, 2021**

(51) **LOC (13) Cl.** **14-03**

(52) **U.S. Cl.**
USPC **D14/155**

(58) **Field of Classification Search**
USPC D14/167, 154, 168, 188, 496, 156, 160,
D14/161, 162, 163, 164, 165, 158, 341,
D14/346, 342, 345, 137, 155, 218, 225;
D16/208; D26/38; 455/351, 350;
D10/104.1, 106, 65
CPC H04B 1/385; H04M 1/6091; H04M 1/6066
See application file for complete search history.

(56) **References Cited**

U.S. PATENT DOCUMENTS

D327,886 S * 7/1992 Yan D14/137
D514,085 S 1/2006 Lee
D523,575 S 6/2006 Bhavnani
D523,838 S * 6/2006 Lee D14/168
D585,048 S * 1/2009 Uchimura D14/155

D609,687 S * 2/2010 Lyman D14/155
D654,469 S 2/2012 Kawase
D655,267 S * 3/2012 Daniel D14/137
D659,668 S * 5/2012 Neumann D14/155
D671,094 S 11/2012 Kokawa et al.
D860,154 S * 9/2019 Hu D14/155
D868,019 S * 11/2019 Clinton D14/155
D912,006 S * 3/2021 Xiang D14/155
D936,629 S * 11/2021 Lu D14/155

* cited by examiner

Primary Examiner — Austin Murphy

(74) *Attorney, Agent, or Firm* — Runit Ranjit Kanakia

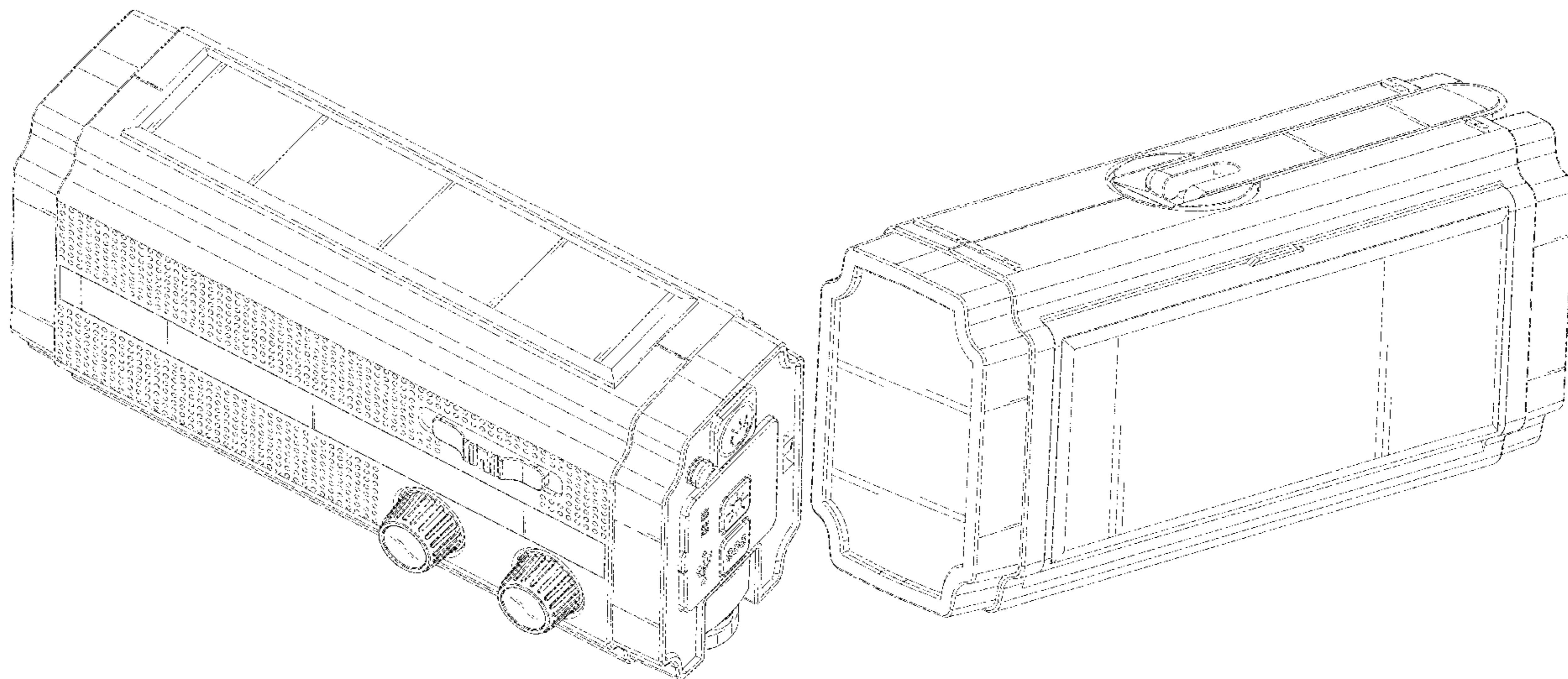
(57) **CLAIM**

I claim the ornamental design for a radio, as shown and described.

DESCRIPTION

FIG. 1 is a Perspective view of a radio showing my new design;
FIG. 2 is a Back Perspective view thereof;
FIG. 3 is a Front view thereof;
FIG. 4 is a Back view thereof;
FIG. 5 is a Left-side view thereof;
FIG. 6 is a Right-side view thereof;
FIG. 7 is a Top view thereof; and,
FIG. 8 is a Bottom view thereof.
The broken lines in the drawings depict portions of the radio that form no part of the claimed design.

1 Claim, 7 Drawing Sheets



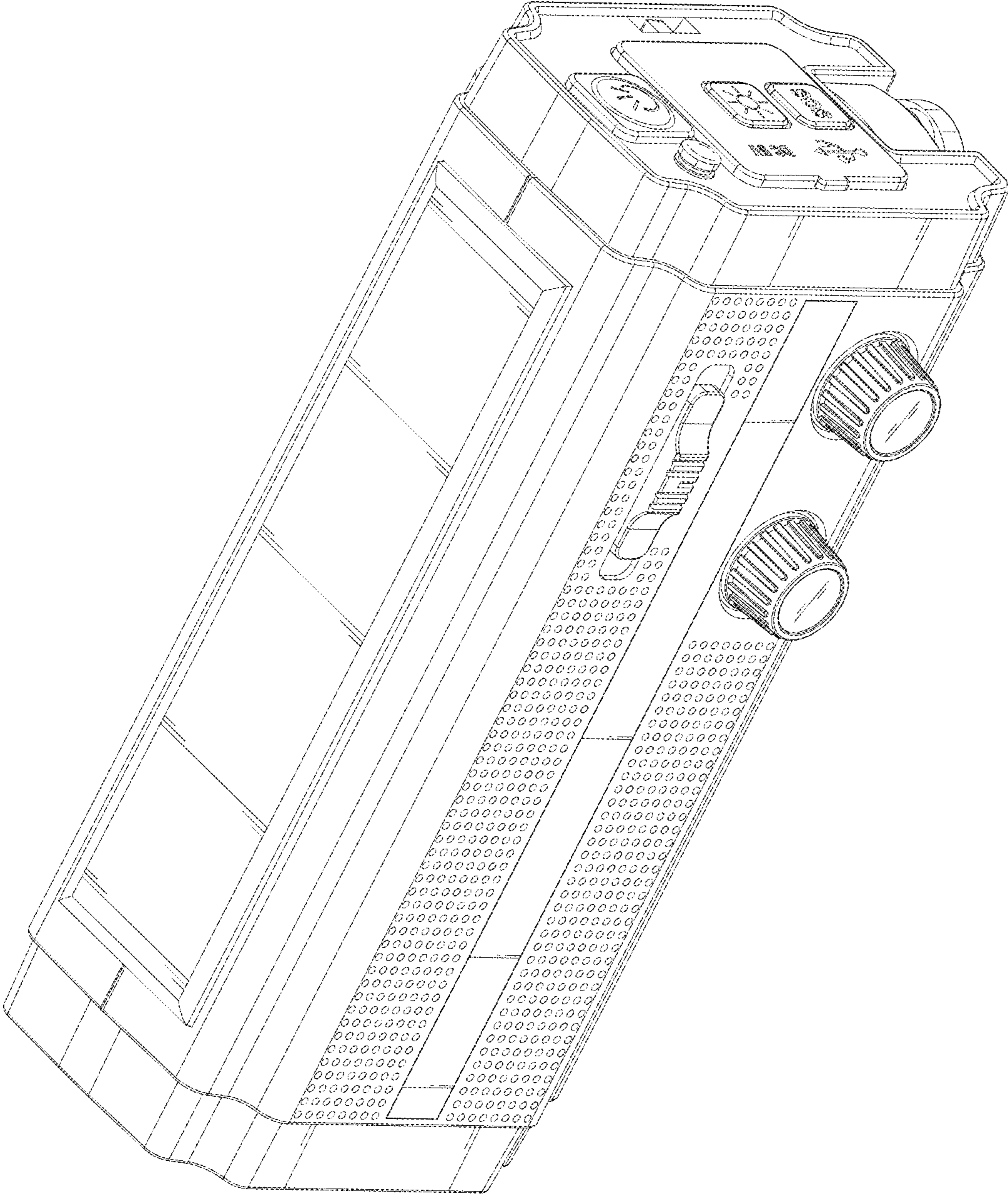


FIG. 1

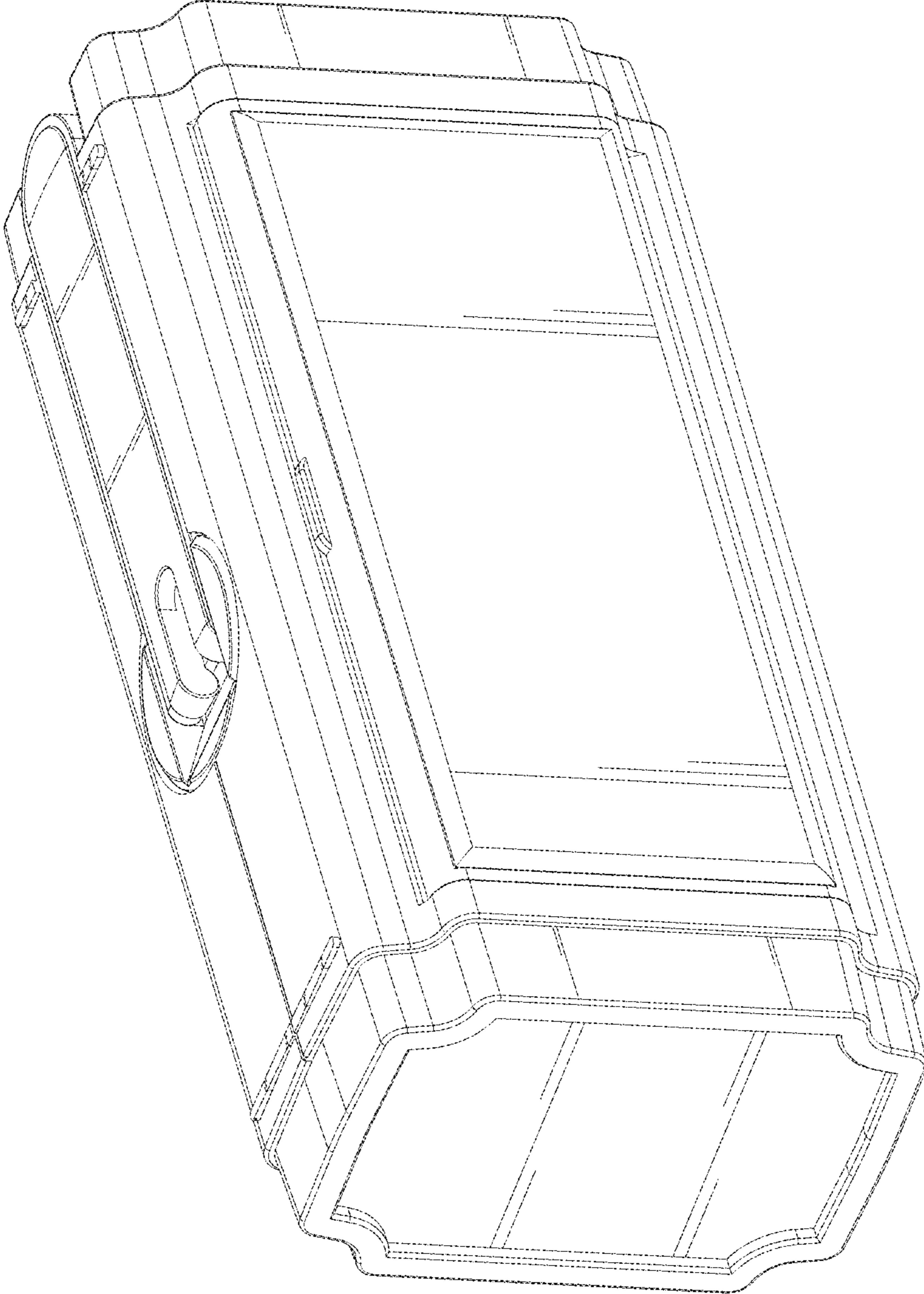


FIG. 2

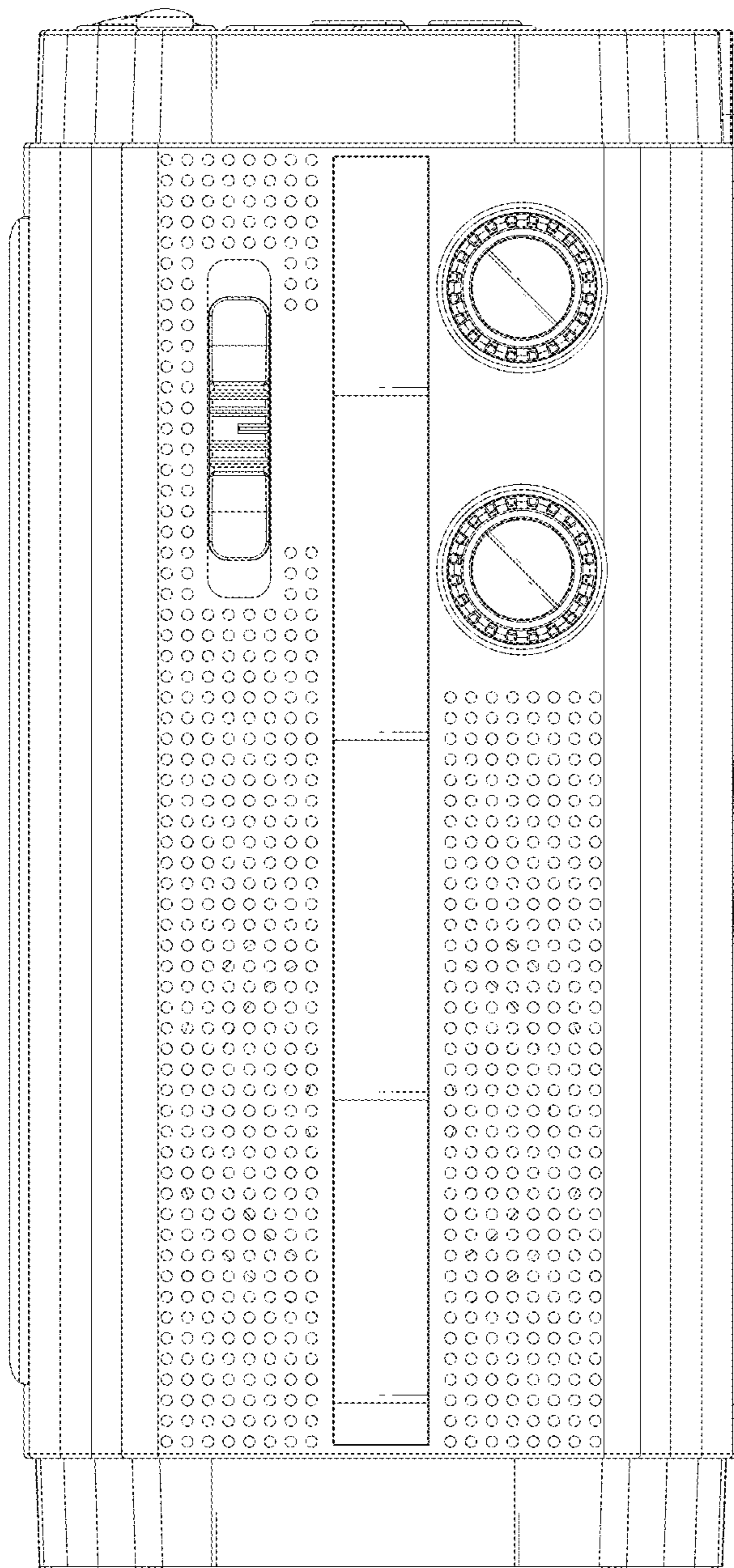


FIG. 3

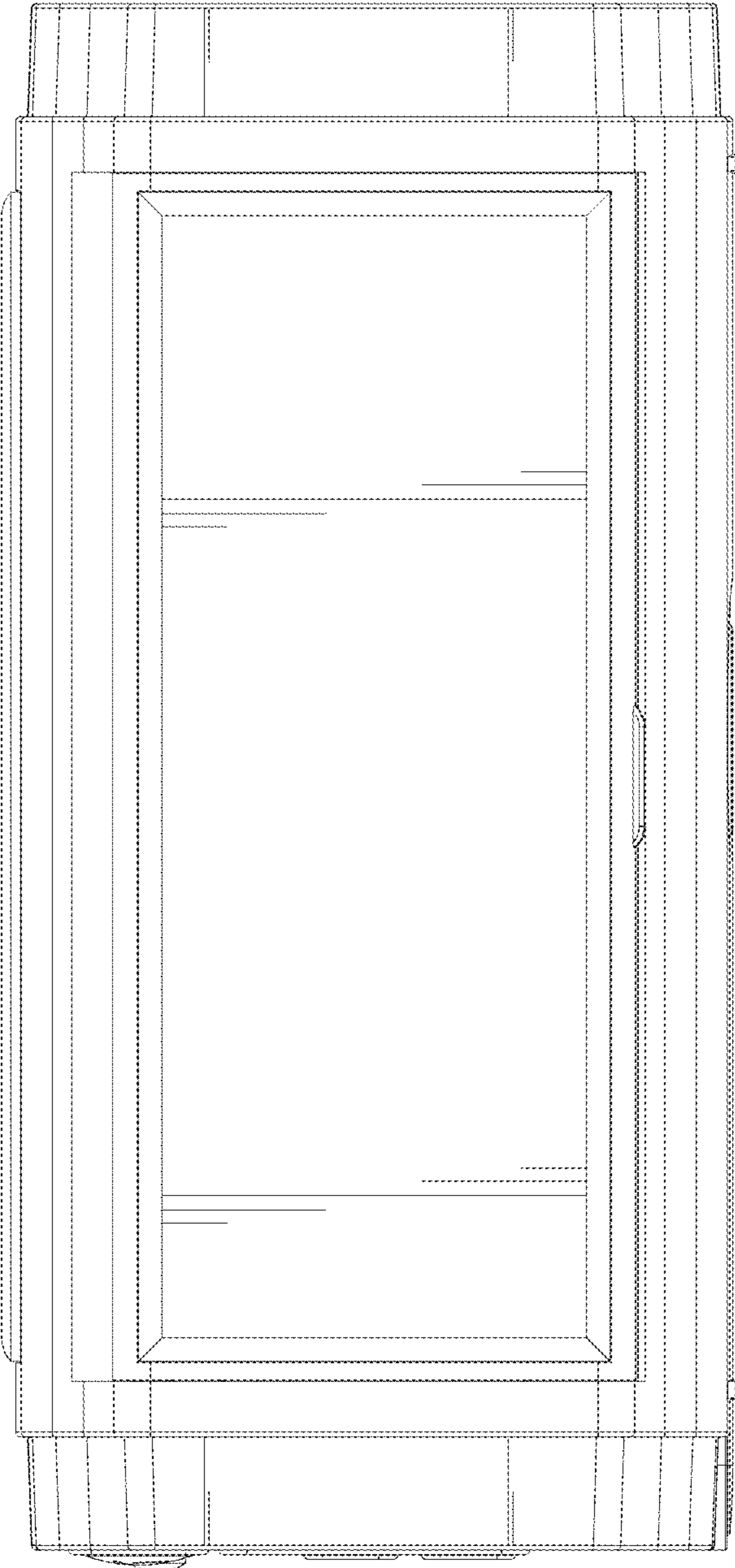


FIG. 4

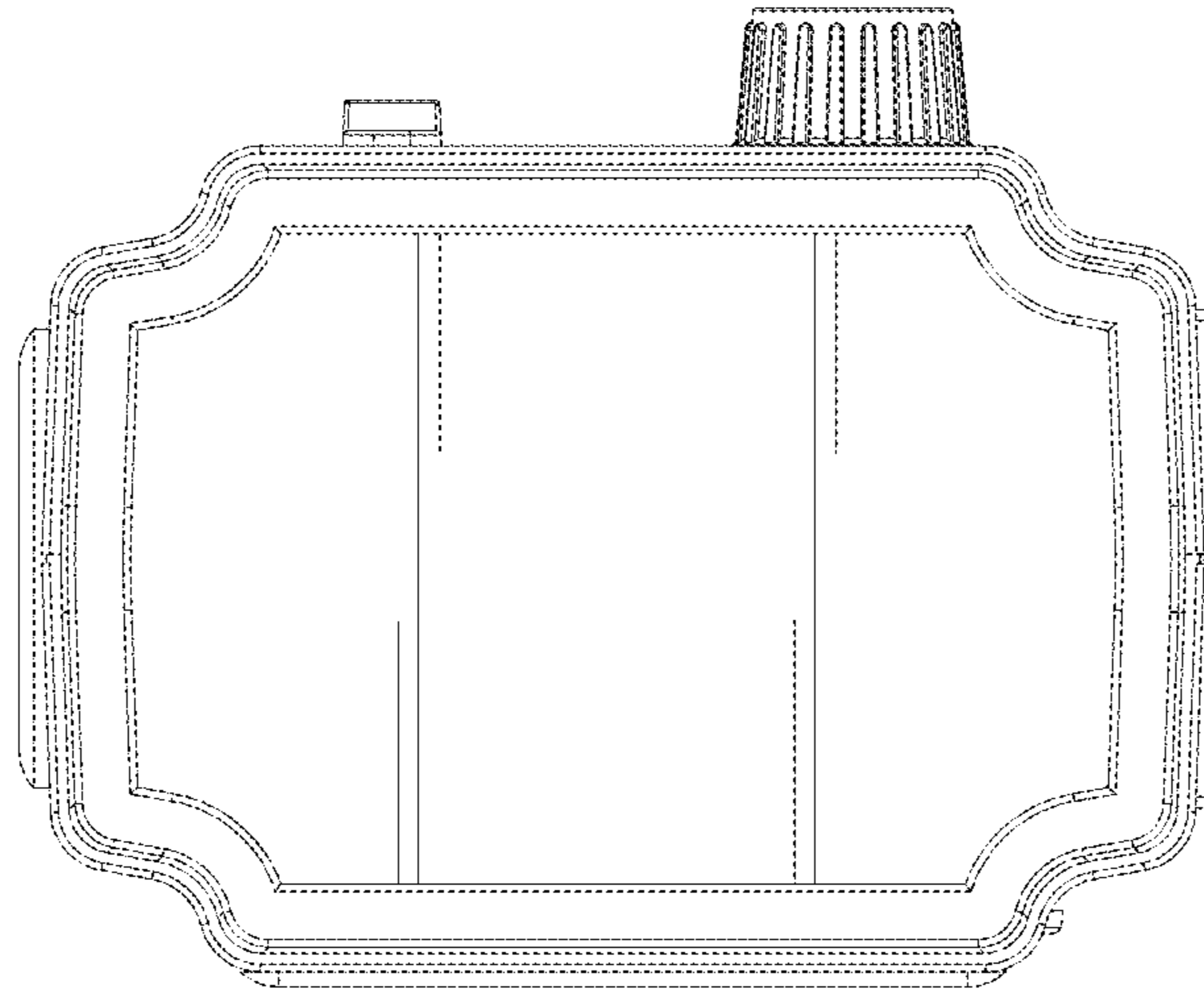


FIG. 6

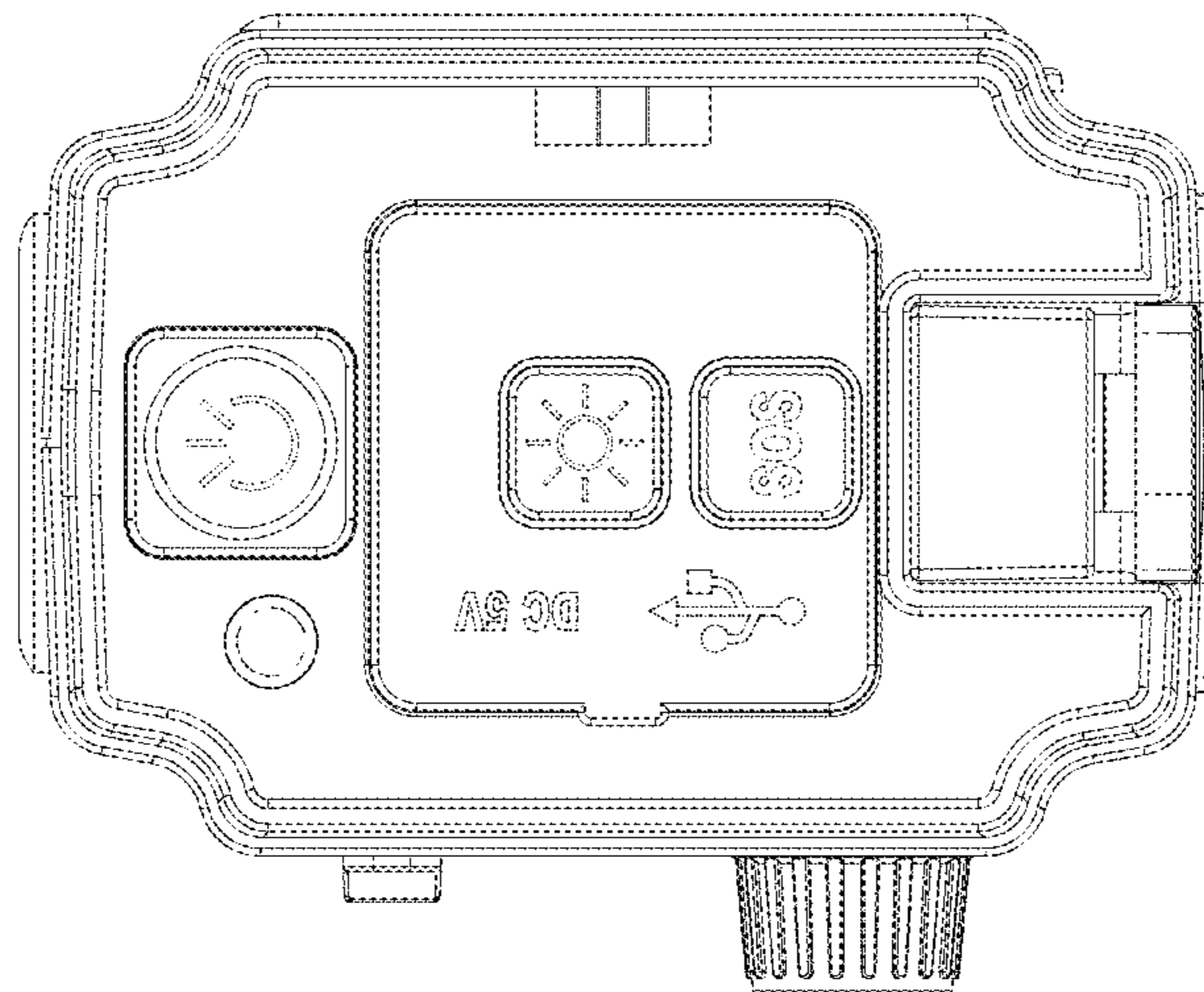


FIG. 5

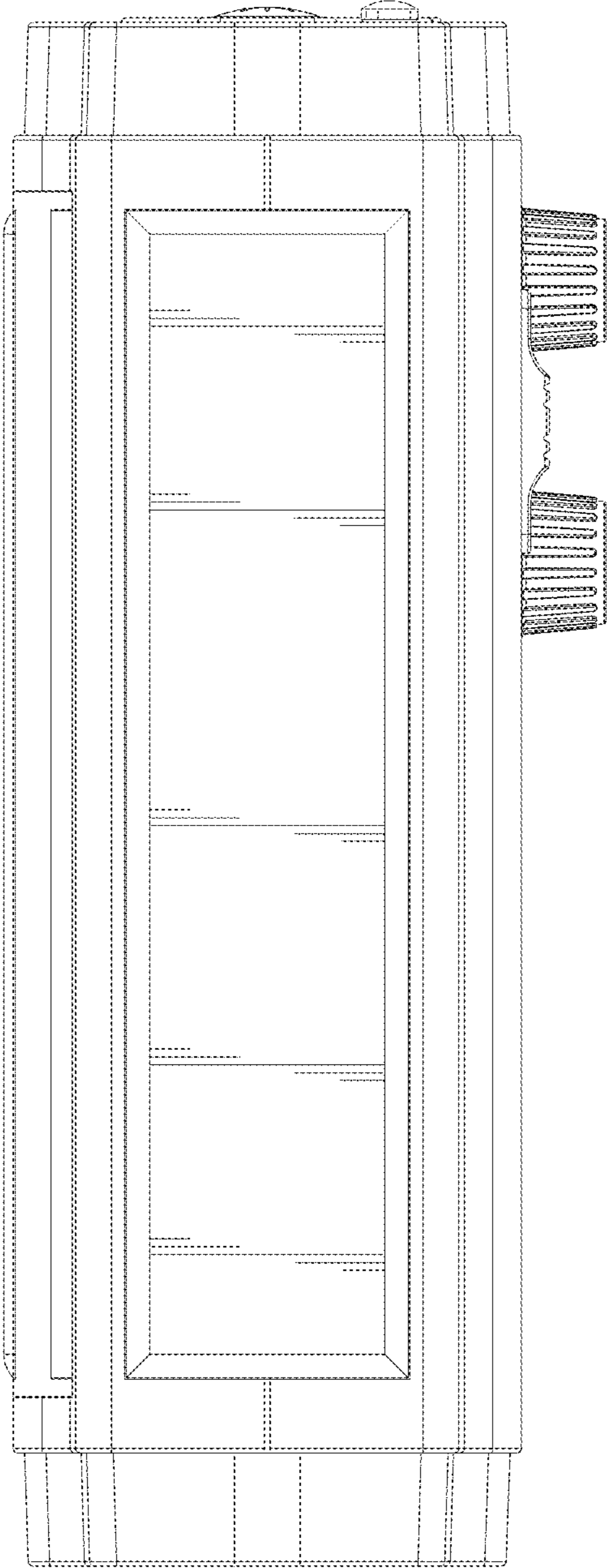


FIG. 7

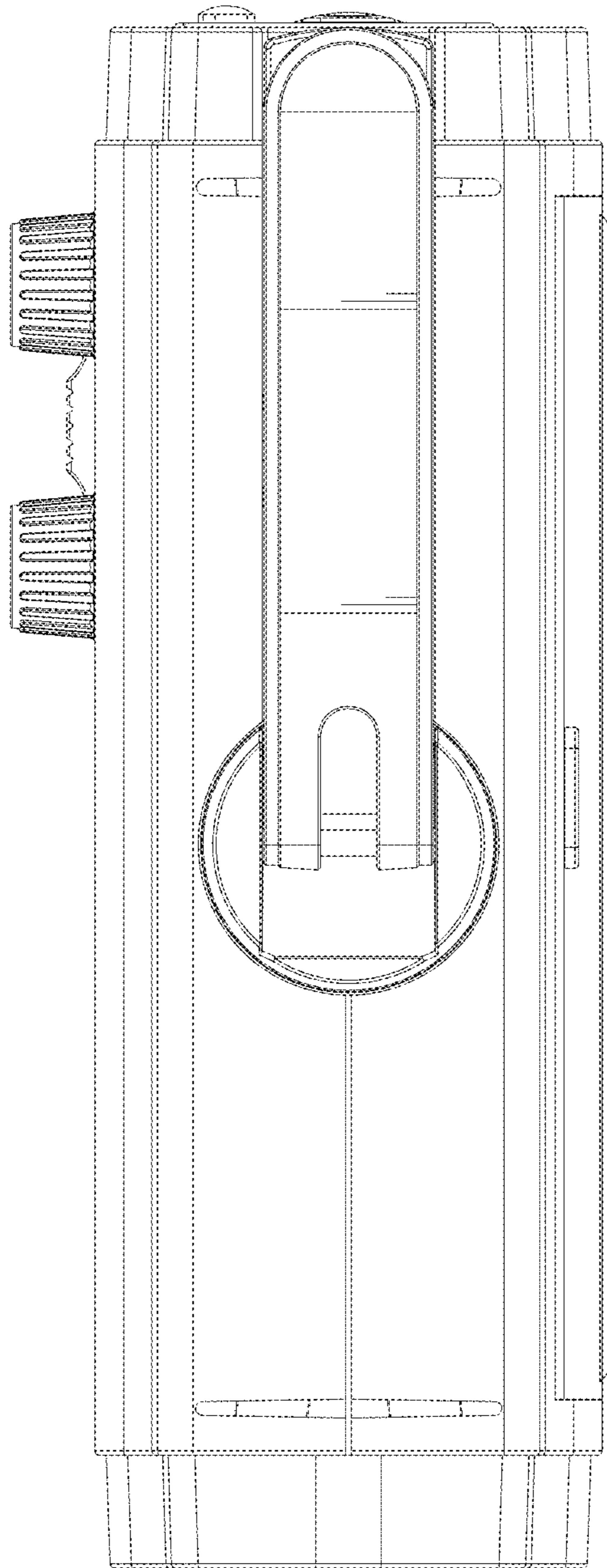


FIG. 8