



US00D950509S

(12) **United States Design Patent**
Ranly

(10) **Patent No.:** **US D950,509 S**

(45) **Date of Patent:** **** May 3, 2022**

(54) **RADIO**

(71) Applicant: **Sportsman's Market, Inc.**, Batavia, OH (US)

(72) Inventor: **Doug Ranly**, Amelia, OH (US)

(73) Assignee: **Sportsman's Market, Inc.**, Batavia, OH (US)

(**) Term: **15 Years**

(21) Appl. No.: **29/740,752**

(22) Filed: **Jul. 7, 2020**

(51) **LOC (13) Cl.** **14-03**

(52) **U.S. Cl.**

USPC **D14/137**

(58) **Field of Classification Search**

USPC D14/137, 138 AA, 138 AD, 138 G, D14/138 R, 142, 147, 148, 155, 157-159, D14/163-165, 168, 171, 172, 188, 191, D14/192, 194-198, 203.1, 203.3, 203.5, D14/203.7, 204, 210-216, 218, 219, 221, D14/225, 226, 341, 342, 345, 346, 144; D21/324, 329, 331, 517, 566; D10/65, D10/78, 104.1, 104.2, 106.1; D13/168; D30/199

CPC H04B 1/3833; H04B 1/3827; H04B 2001/3861; H04B 1/385; H04B 1/3883; H04B 2001/3855; H04B 2001/3872; H04M 1/23; H04M 1/233; H04M 1/7246; H04M 1/72427; G08B 21/0202; H04R 2410/00; H04R 1/00; H04R 2410/01; H04R 2410/03; H04R 2410/05; H04R 2410/07; H04R 27/00; H04R 27/02; H04R 27/04

See application file for complete search history.

(56) **References Cited**

U.S. PATENT DOCUMENTS

5,487,181 A * 1/1996 Dailey H04B 1/40 455/557
D382,870 S * 8/1997 Siddoway D14/137

D384,060 S * 9/1997 Kelley D14/138 AA
D526,993 S * 8/2006 Richards D14/188
D540,765 S * 4/2007 Pritchard D14/137
D564,999 S * 3/2008 Richards D14/137
D569,358 S * 5/2008 Devenish, III D14/137
D598,876 S * 8/2009 Leng D14/137
D600,225 S * 9/2009 Woon D14/137
7,605,686 B2 * 10/2009 Serfaty H04M 1/03 340/384.5
D605,616 S * 12/2009 Scott D14/137
D616,844 S * 6/2010 Xia D14/137

(Continued)

Primary Examiner — Christian P. McLean

Assistant Examiner — Kourosh Taie-Tehrani

(74) *Attorney, Agent, or Firm* — Wood Herron & Evans LLP

(57) **CLAIM**

The ornamental design for a radio, as shown and described.

DESCRIPTION

FIG. 1 is a front left side perspective view of a radio according to the present invention.

FIG. 2 is a front elevation view thereof.

FIG. 3 is a left side elevation view thereof.

FIG. 4 is a right side elevation view thereof.

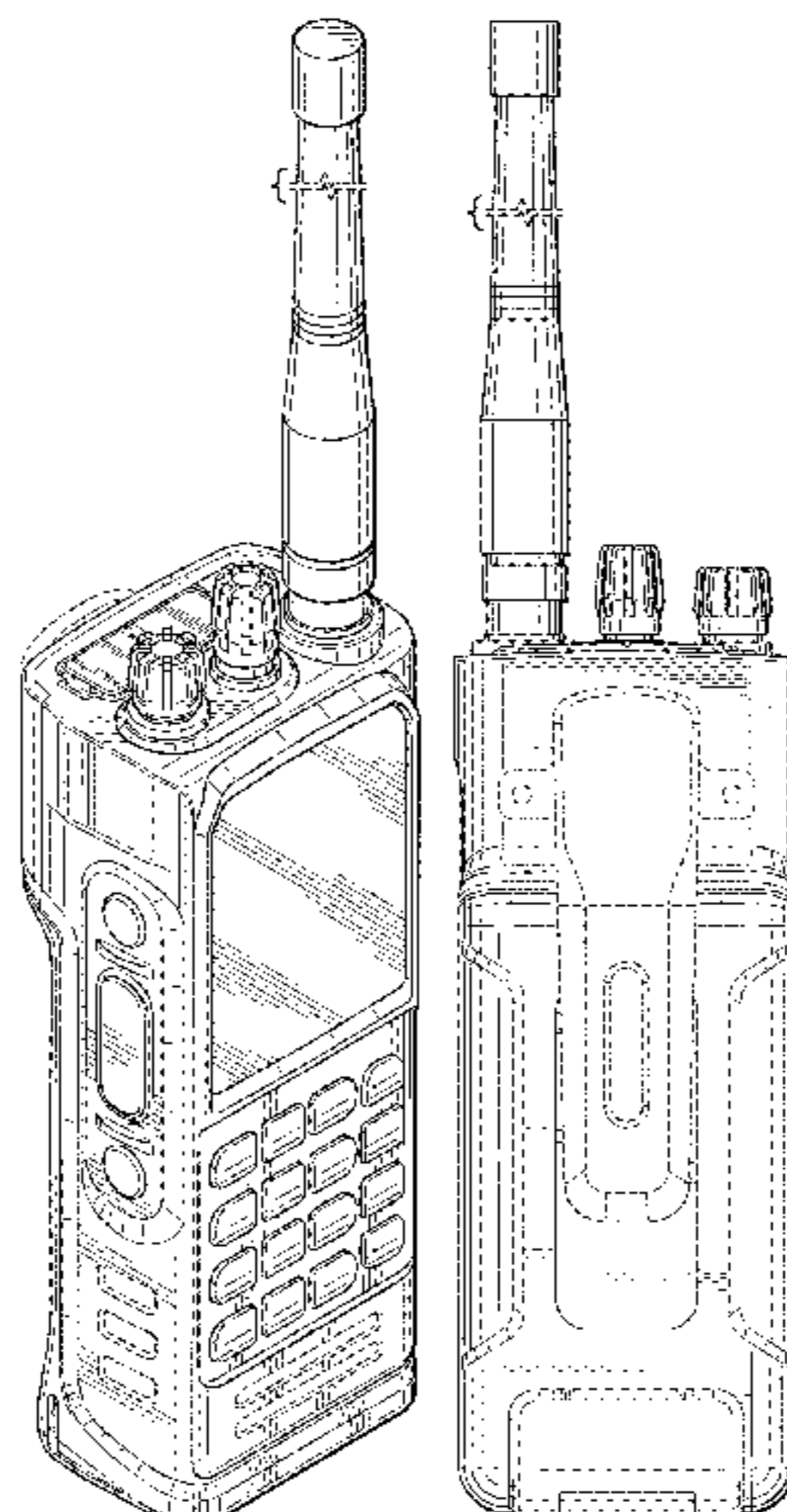
FIG. 5 is a rear elevation view thereof.

FIG. 6 is an enlarged top plan view thereof; and,

FIG. 7 is an enlarged bottom plan view thereof.

The dash broken lines immediately adjacent the shaded areas represent the bounds of the claimed design while all other dash broken lines depict portions of the radio; the broken lines form no part of the claimed design. The figures show a symbolic break in the length of the radio. The break lines, as well as any portion of the article between the break lines, form no part of the claimed design.

1 Claim, 4 Drawing Sheets



(56)

References Cited

U.S. PATENT DOCUMENTS

D652,400	S	*	1/2012	Oikawa	D14/137
D653,225	S	*	1/2012	Yong	D14/137
D654,035	S	*	2/2012	Ismail	D14/137
D662,482	S	*	6/2012	Kaner	D14/137
D670,258	S	*	11/2012	Yamamoto	D14/137
D702,666	S	*	4/2014	Foster	D14/219
D754,089	S	*	4/2016	Yong	D14/137
D761,223	S	*	7/2016	Oikawa	D14/137
D784,942	S	*	4/2017	Duran	D14/137
D796,467	S	*	9/2017	Oikawa	D14/137
D805,494	S	*	12/2017	Richards	D14/137
D816,639	S	*	5/2018	Abe	D14/226
D818,451	S	*	5/2018	Takahashi	D14/137
D876,379	S	*	2/2020	Aihsan	D14/137
D890,711	S	*	7/2020	Lee	D14/137
D896,197	S	*	9/2020	Lee	D14/137
D940,091	S	*	1/2022	Liu	D14/137
D940,092	S	*	1/2022	Onoue	D14/137
D942,961	S	*	2/2022	Nishizawa	D14/137
2011/0281533	A1	*	11/2011	Deleus	G06F 3/0338 455/90.2
2015/0222311	A1	*	8/2015	Teoh	H05K 9/005 455/90.3
2015/0381333	A1	*	12/2015	Tennant	H04M 1/03 370/278

* cited by examiner

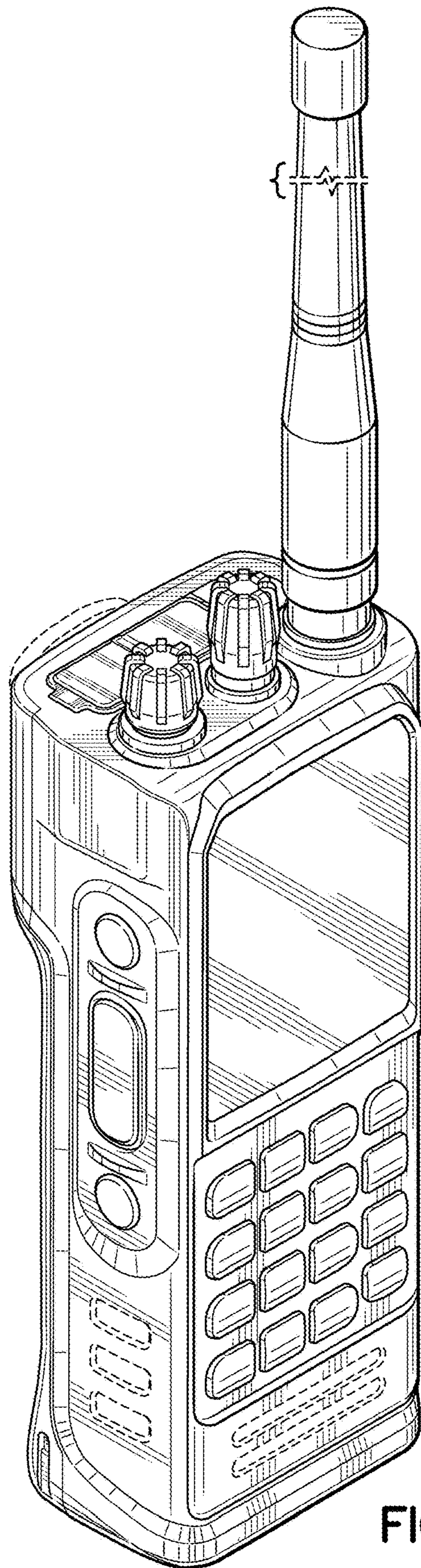


FIG. 1

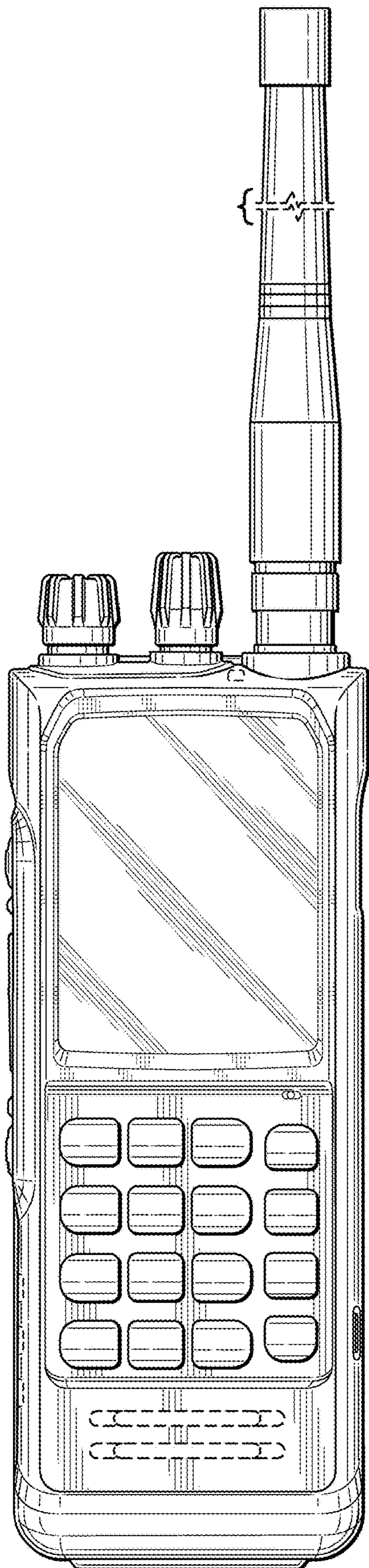


FIG. 2

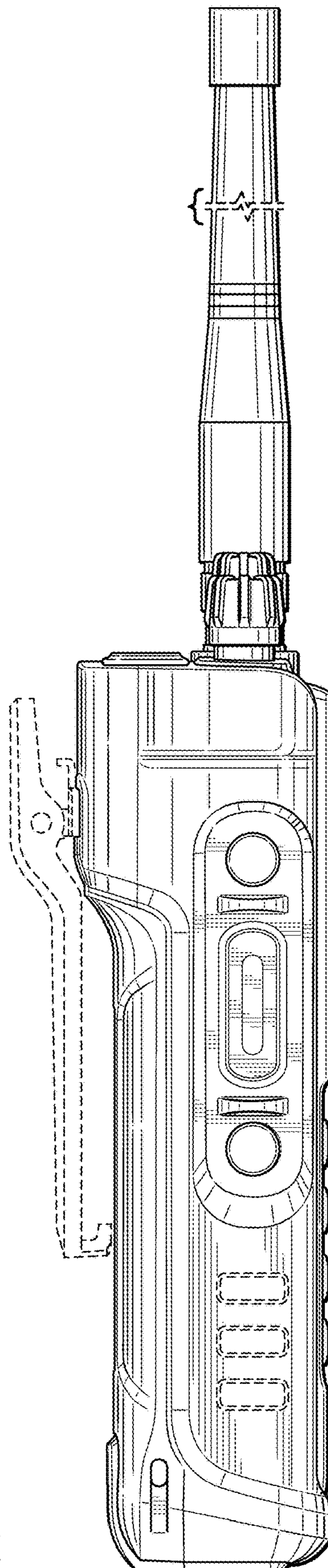


FIG. 3

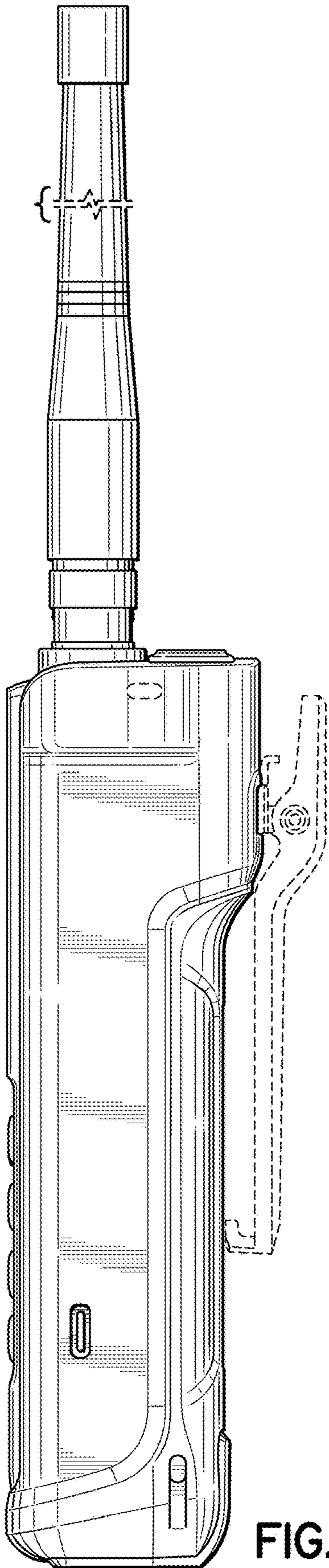


FIG. 4

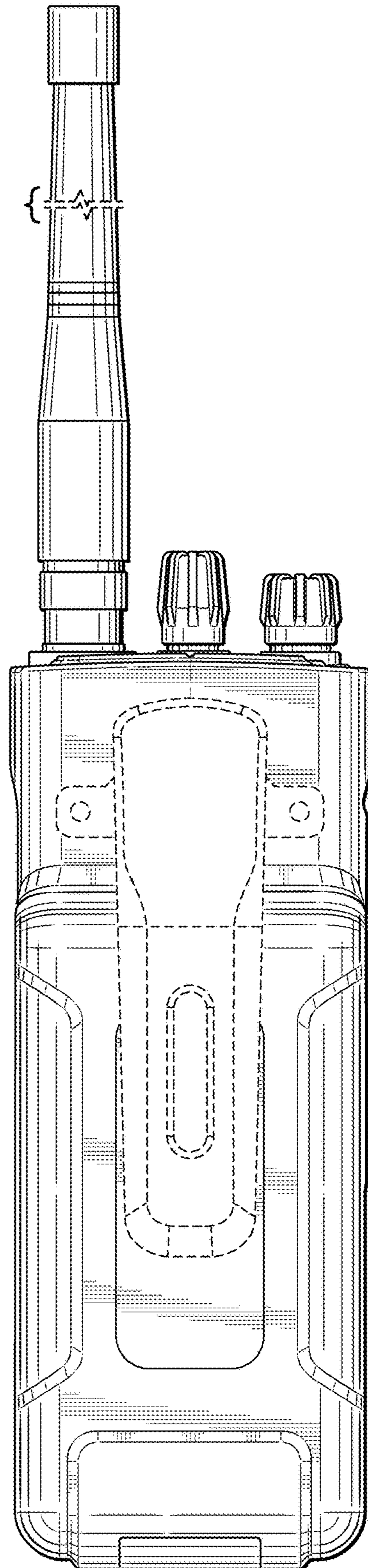


FIG. 5

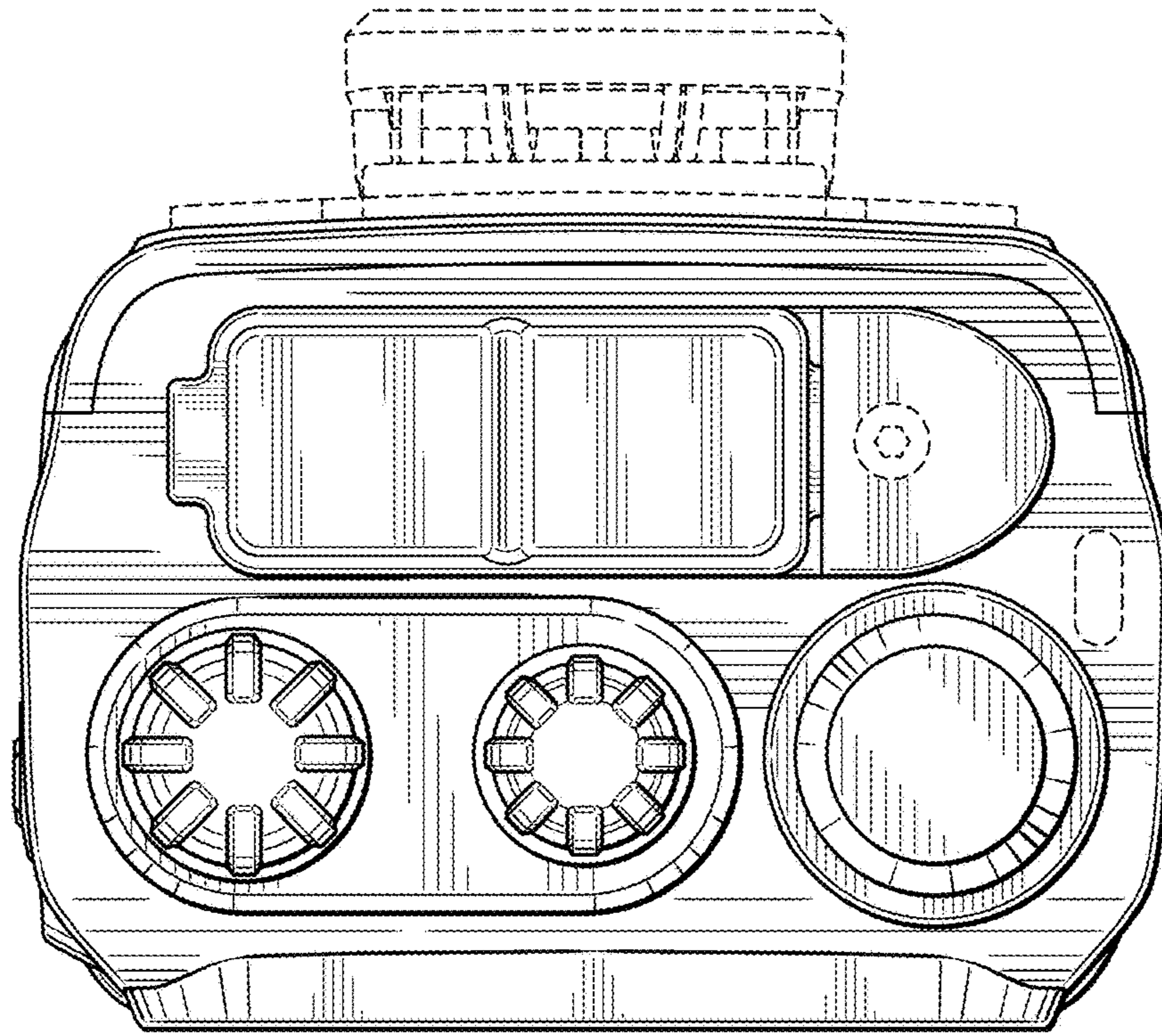


FIG. 6

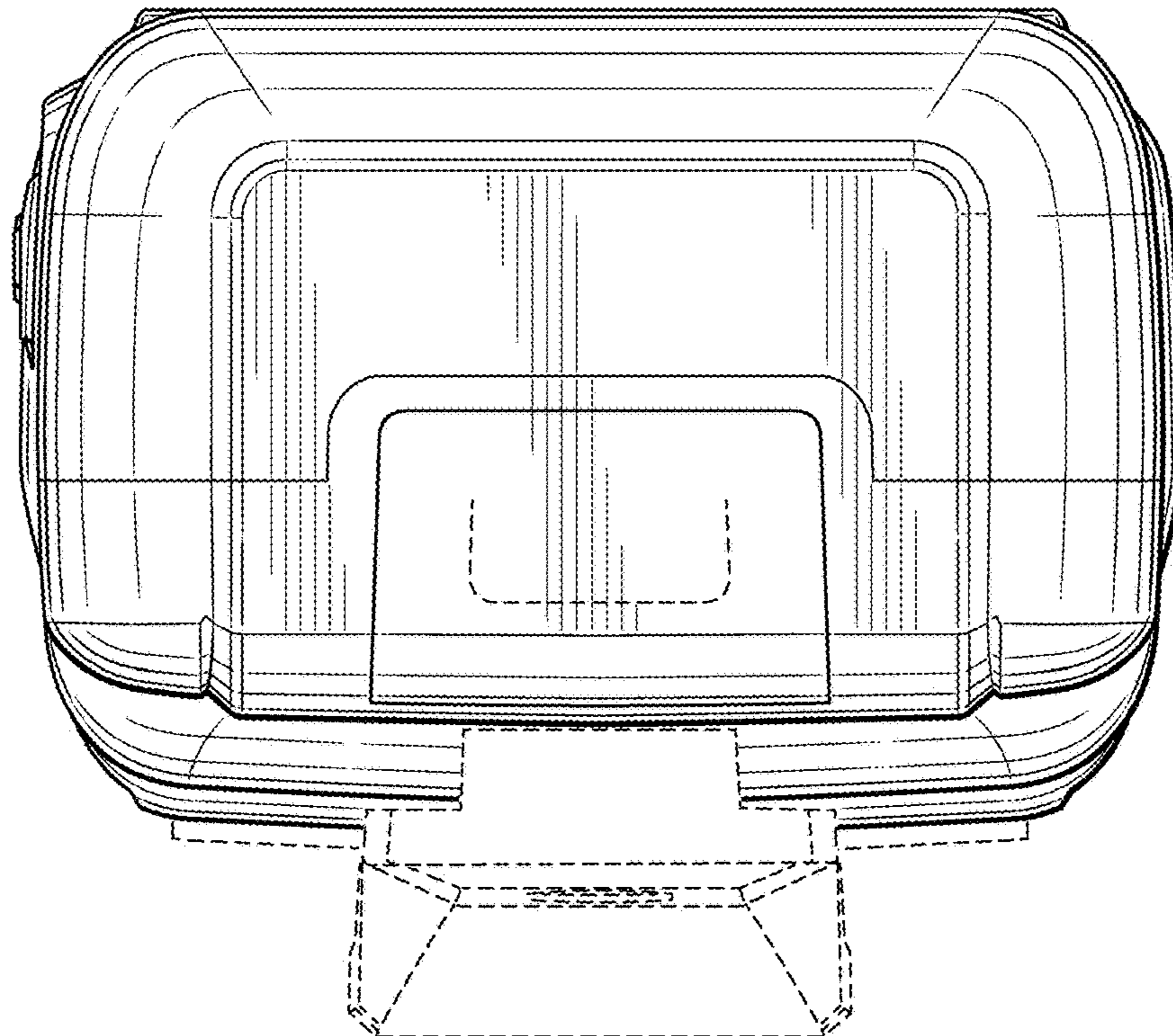


FIG. 7