



US00D950507S

(12) **United States Design Patent**  
**Chen et al.**

(10) **Patent No.:** **US D950,507 S**

(45) **Date of Patent:** **\*\* May 3, 2022**

- (54) **HEAT SINK**
- (71) Applicant: **AIC INC.**, Taoyuan (TW)
- (72) Inventors: **Yen-Chih Chen**, Taoyuan (TW);  
**Chi-Yuan Hsiao**, Taoyuan (TW);  
**Hsih-Ting You**, Taoyuan (TW);  
**Yu-Hsiang Lin**, Taoyuan (TW)
- (73) Assignee: **AIC INC.**, Taoyuan (TW)
- (\*\*) Term: **15 Years**
- (21) Appl. No.: **29/732,857**
- (22) Filed: **Apr. 28, 2020**
- (51) **LOC (13) Cl.** ..... **13-03**
- (52) **U.S. Cl.**  
USPC ..... **D13/179**
- (58) **Field of Classification Search**  
USPC ..... D13/179; D14/435; D26/72, 113, 152  
CPC ..... H01L 23/28; H01L 23/36; H01L 23/367;  
H01L 23/3672; H01L 23/3675; H01L  
23/3677; H01L 23/4093; H01L 23/467;  
G06F 1/20; H05K 7/2039; H05K 7/20509  
See application file for complete search history.

(56) **References Cited**

**U.S. PATENT DOCUMENTS**

6,921,328 B1 *	7/2005	Nohara	.....	H05K 7/20172
				416/247 R
D510,324 S *	10/2005	Lin	.....	D13/179
D510,325 S *	10/2005	Lin	.....	D13/179
7,359,192 B2 *	4/2008	Yang	.....	H01L 23/467
				257/E23.099
D604,705 S *	11/2009	Wu	.....	D13/179
7,729,119 B2 *	6/2010	Yang	.....	H01L 23/467
				257/714
D634,278 S *	3/2011	Kharazmi	.....	D13/179
8,081,458 B2 *	12/2011	Liu	.....	H01L 23/3672
				174/16.3

8,300,405 B2 *	10/2012	Sun	.....	G06F 1/20
				361/679.48
8,305,752 B2 *	11/2012	Ke	.....	H01L 23/467
				165/80.2
8,335,082 B2 *	12/2012	Sun	.....	G06F 1/20
				361/695
10,281,220 B1 *	5/2019	Lin	.....	H01L 21/4871
11,096,312 B1 *	8/2021	Chen	.....	G06F 1/20
2007/0091566 A1 *	4/2007	Sun	.....	G06F 1/20
				361/695
2007/0151706 A1 *	7/2007	Foster	.....	H01L 21/4882
				257/E23.102
2007/0254584 A1 *	11/2007	Chang	.....	H01L 23/427
				257/E23.098
2008/0101018 A1 *	5/2008	Long	.....	H01L 23/467
				257/E23.099

(Continued)

*Primary Examiner* — Selina Sikder

(74) *Attorney, Agent, or Firm* — Chun-Ming Shih; HDLS IPR Services

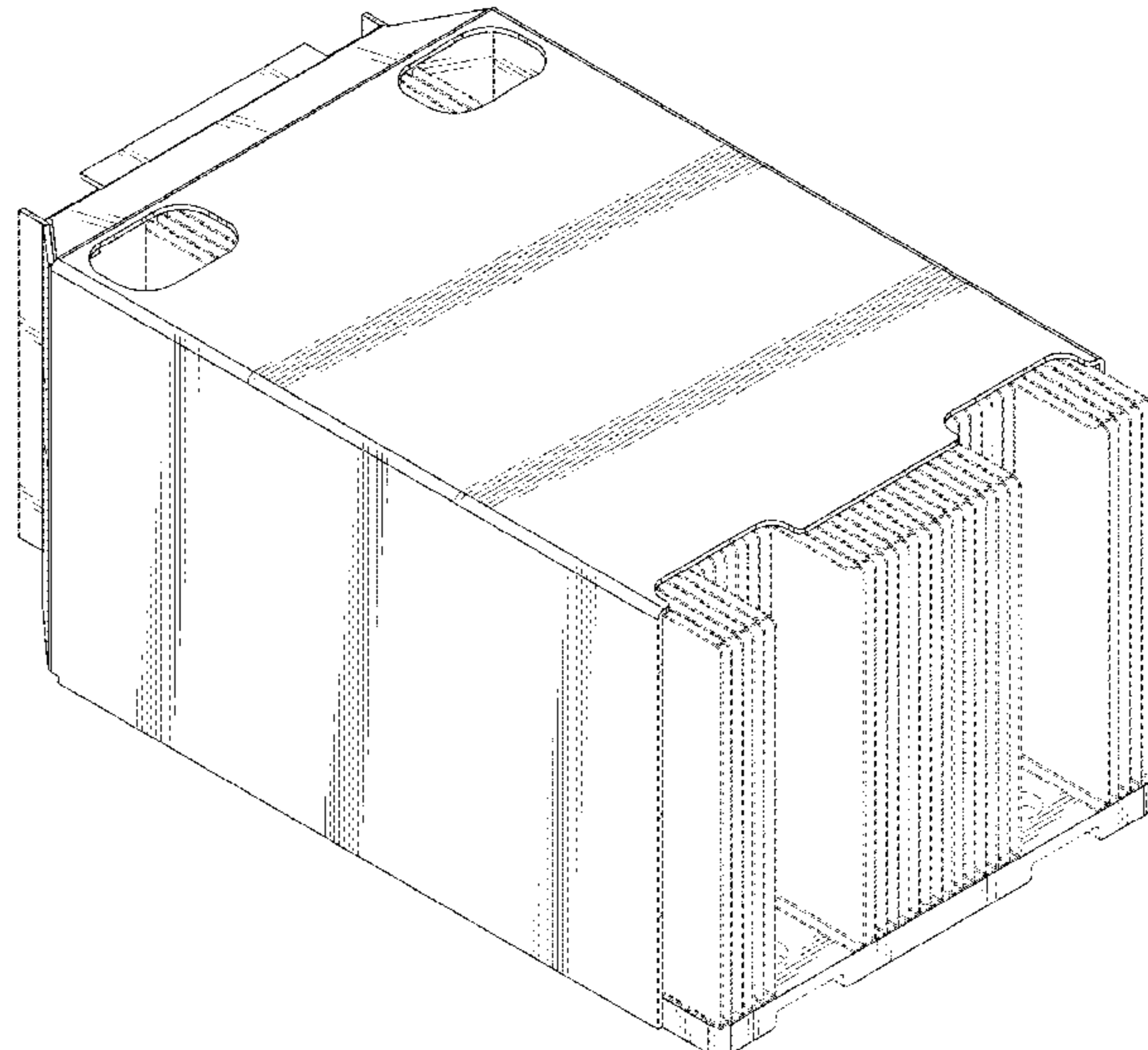
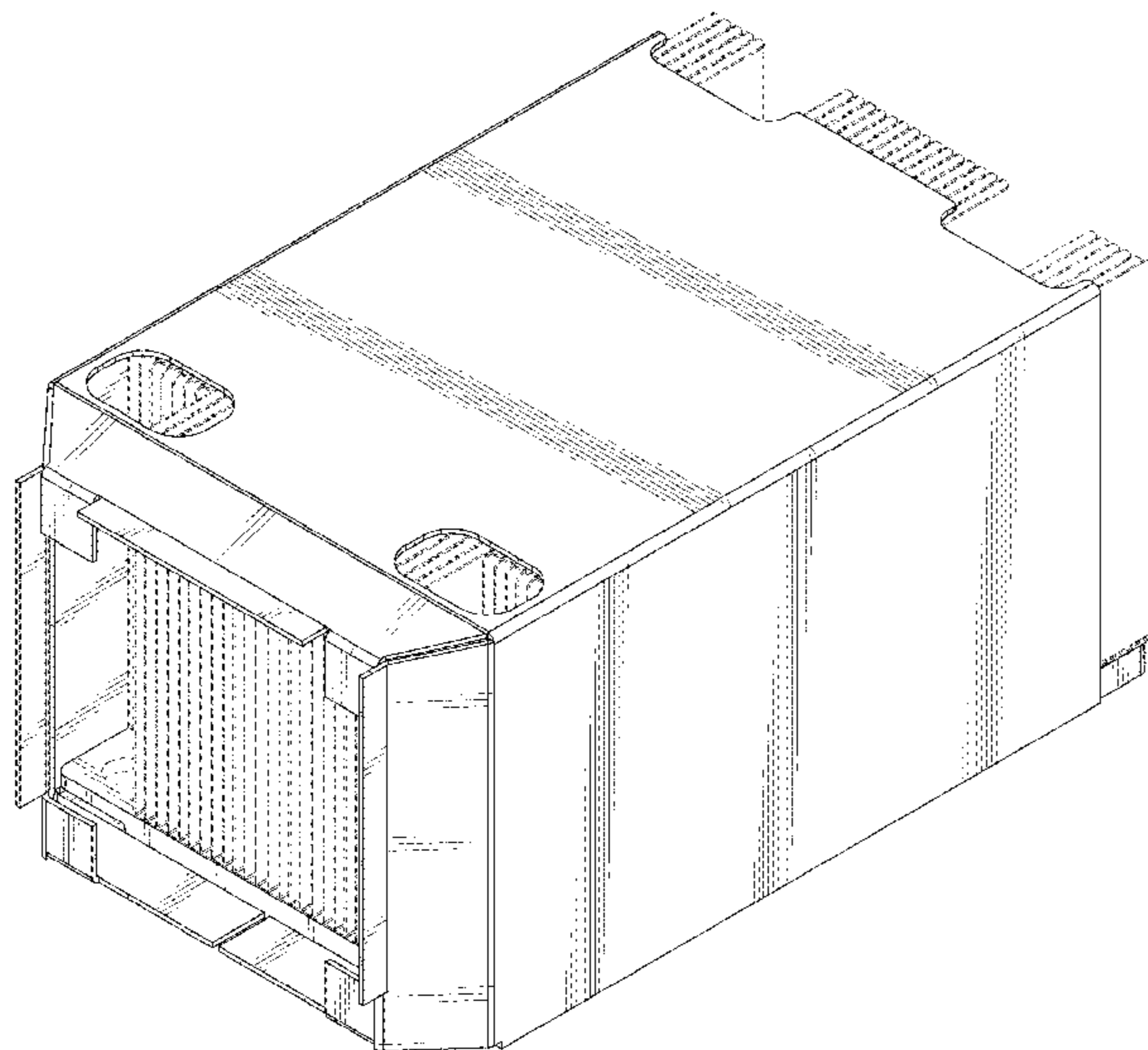
(57) **CLAIM**

The ornamental design for a heat sink, as shown and described.

**DESCRIPTION**

FIG. 1 is a perspective view of a heat sink showing my new design;  
 FIG. 2 is a front view thereof;  
 FIG. 3 is a rear view thereof;  
 FIG. 4 is a left side view thereof;  
 FIG. 5 is a right side view thereof;  
 FIG. 6 is a top view thereof;  
 FIG. 7 is a bottom view thereof;  
 FIG. 8 is second perspective view thereof;  
 FIG. 9 is third perspective view thereof; and,  
 FIG. 10 is a perspective view showing the heat sink in use.  
 The broken lines in the drawings illustrate portions of the heat sink that form no part of the claimed design.

**1 Claim, 10 Drawing Sheets**



(56)

**References Cited**

U.S. PATENT DOCUMENTS

2017/0083058 A1\* 3/2017 Janak ..... H05K 7/20145

\* cited by examiner

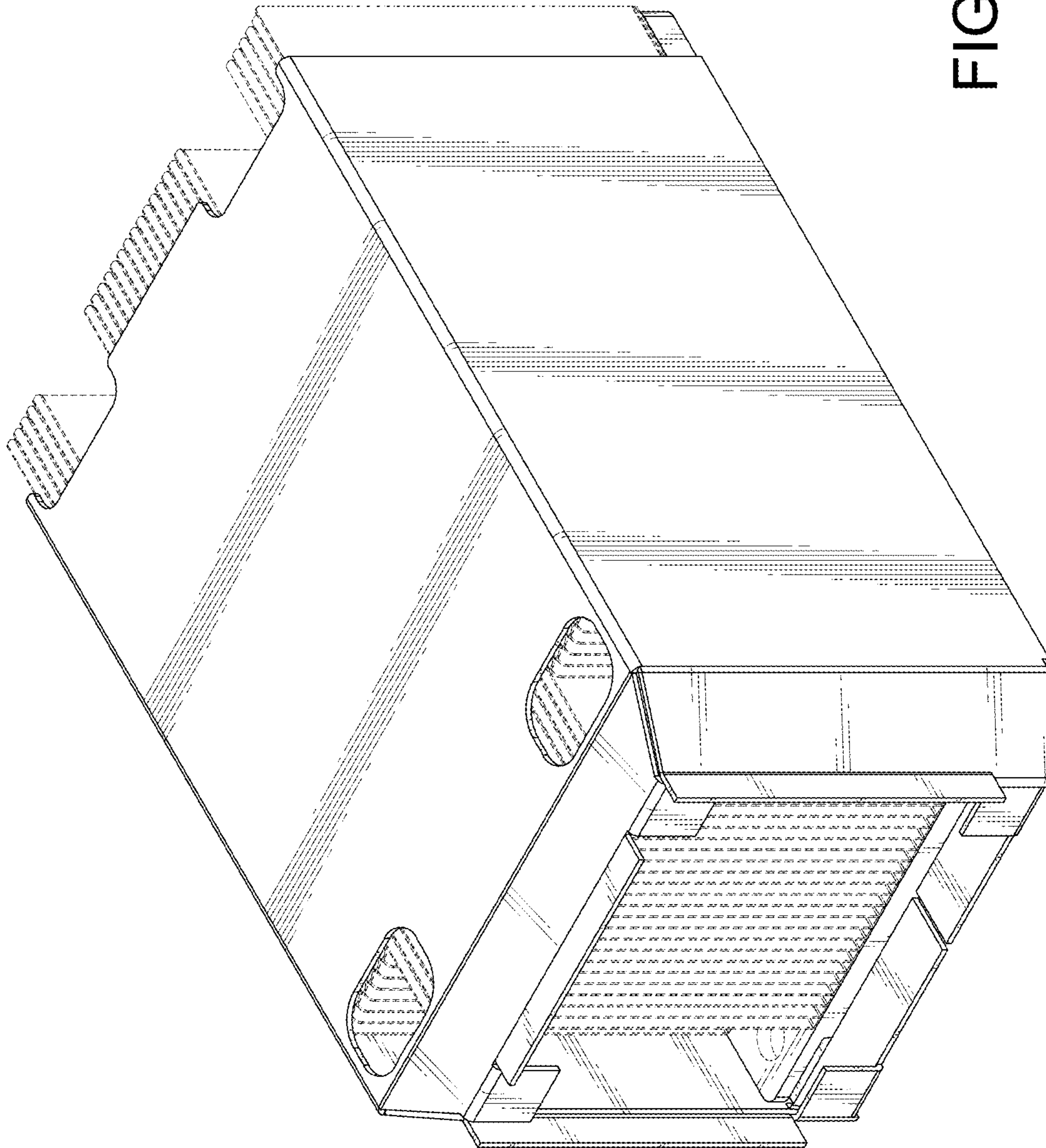


FIG.1

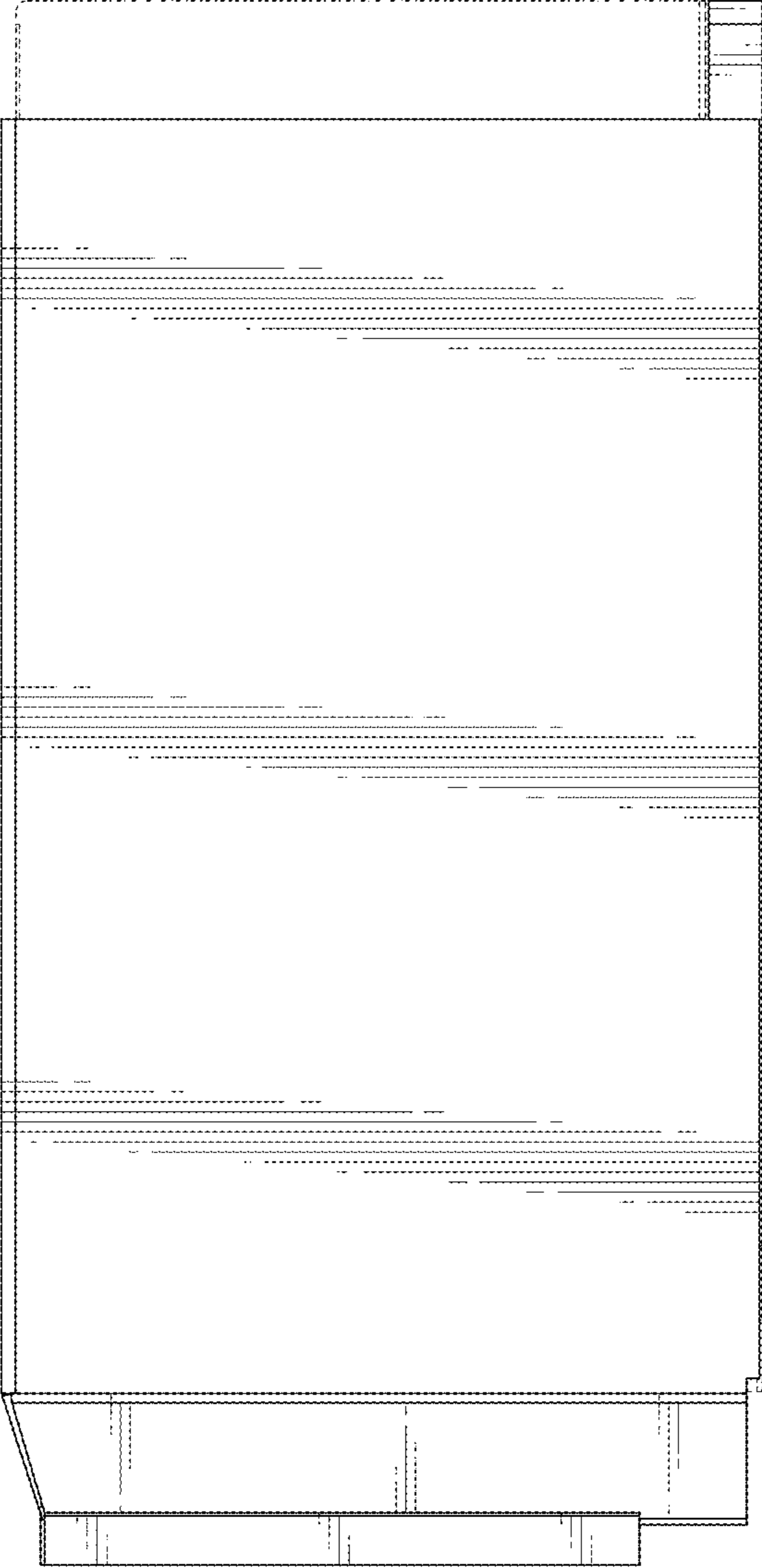


FIG.2

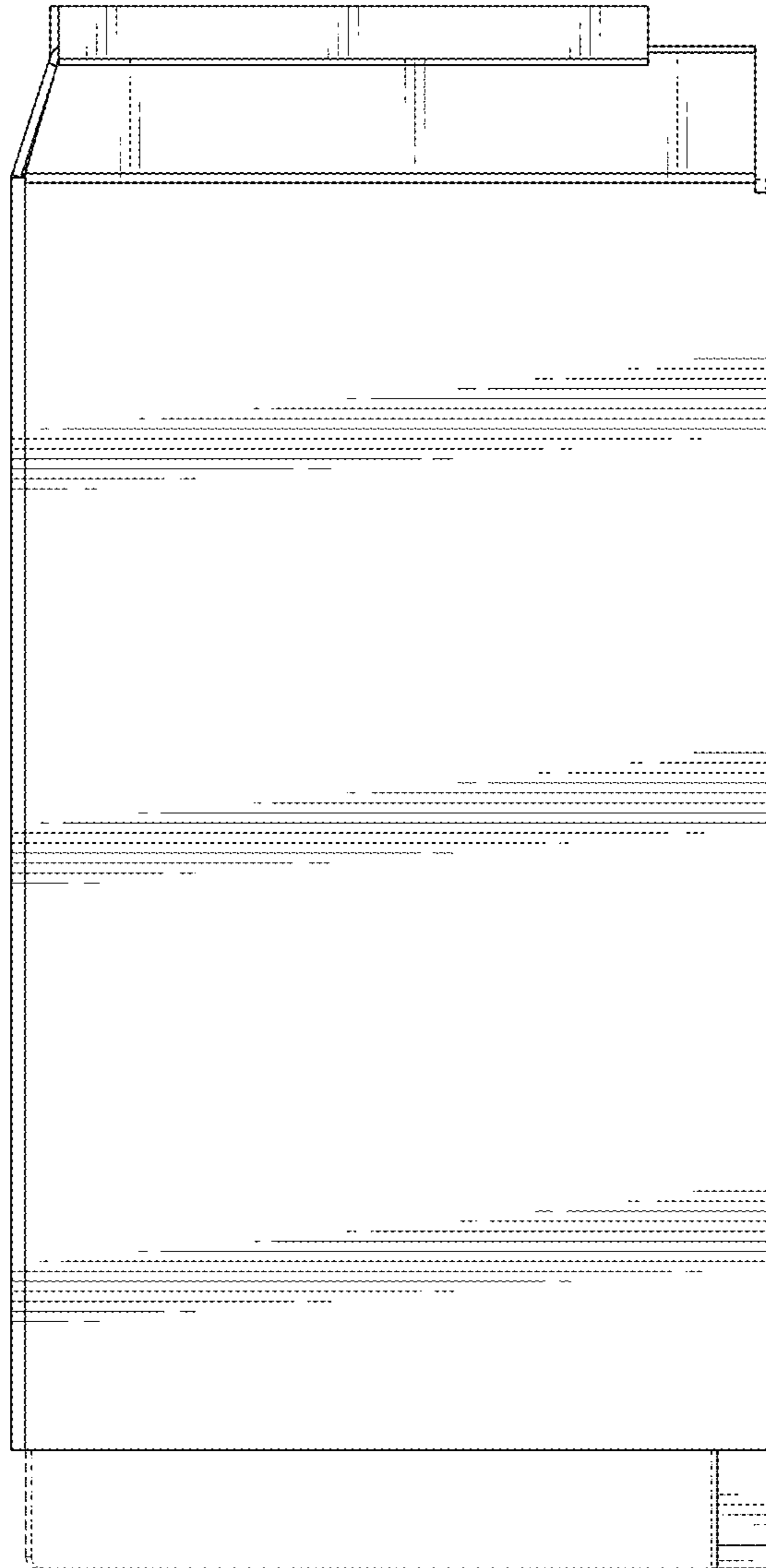


FIG.3

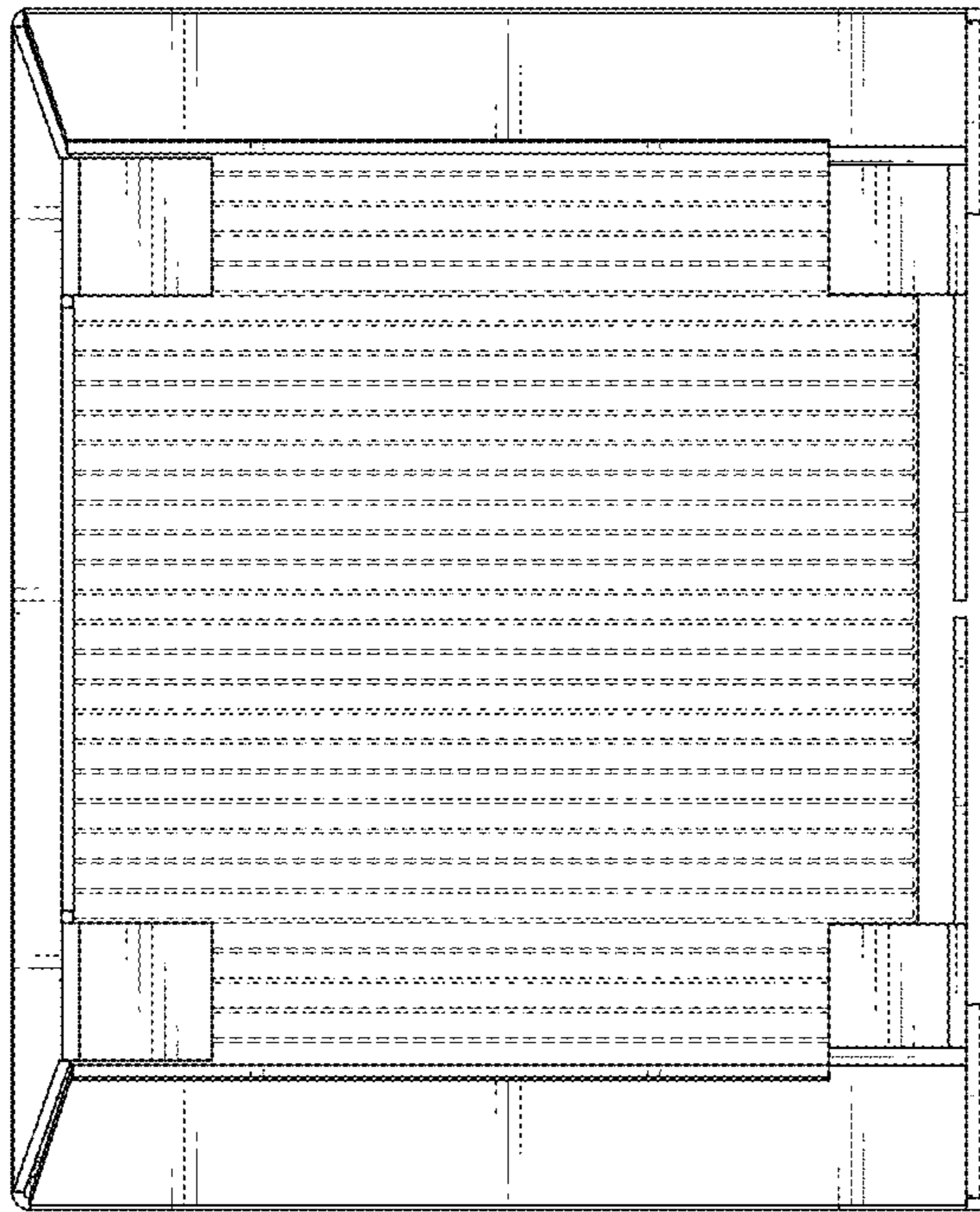


FIG.4

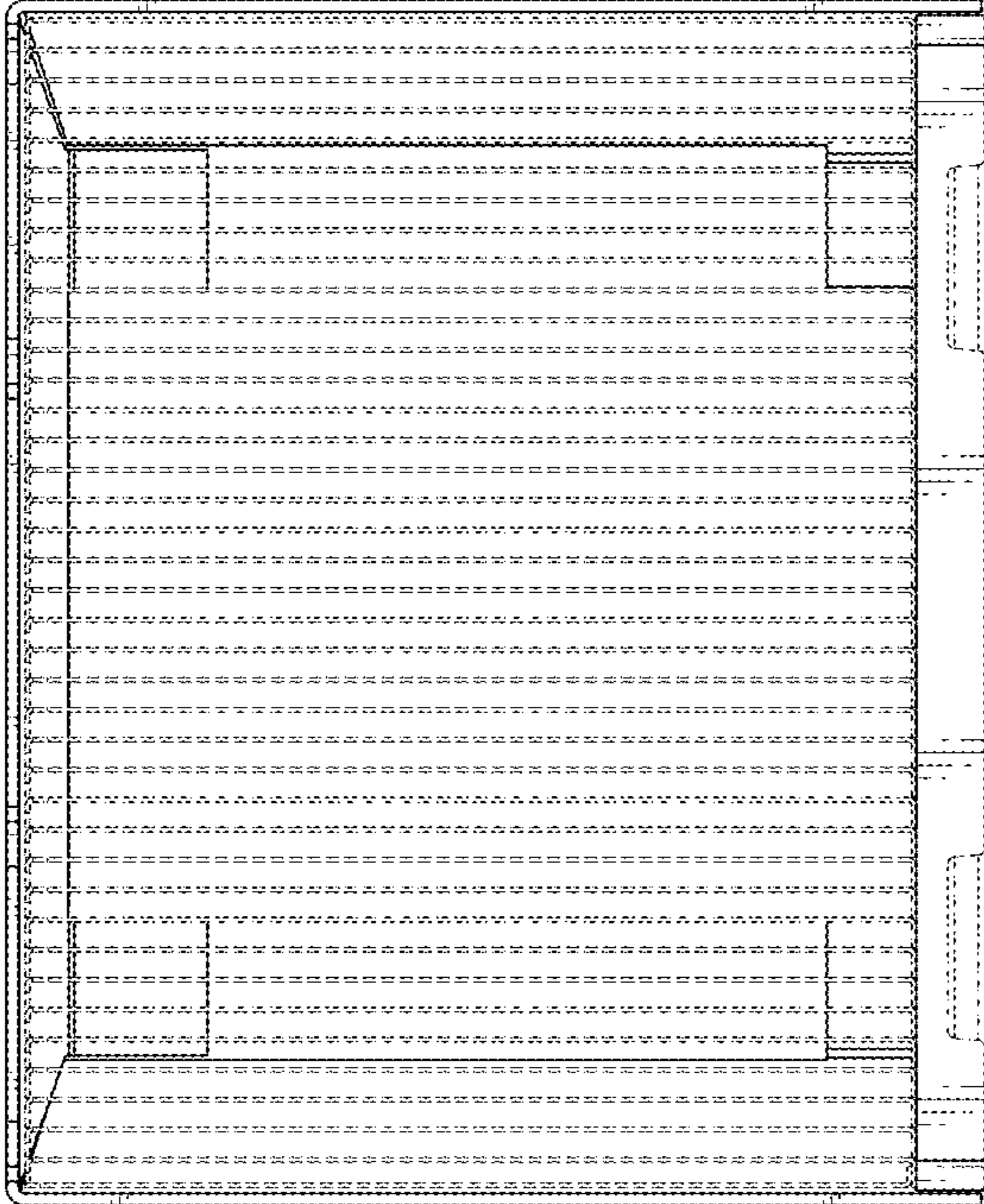


FIG.5

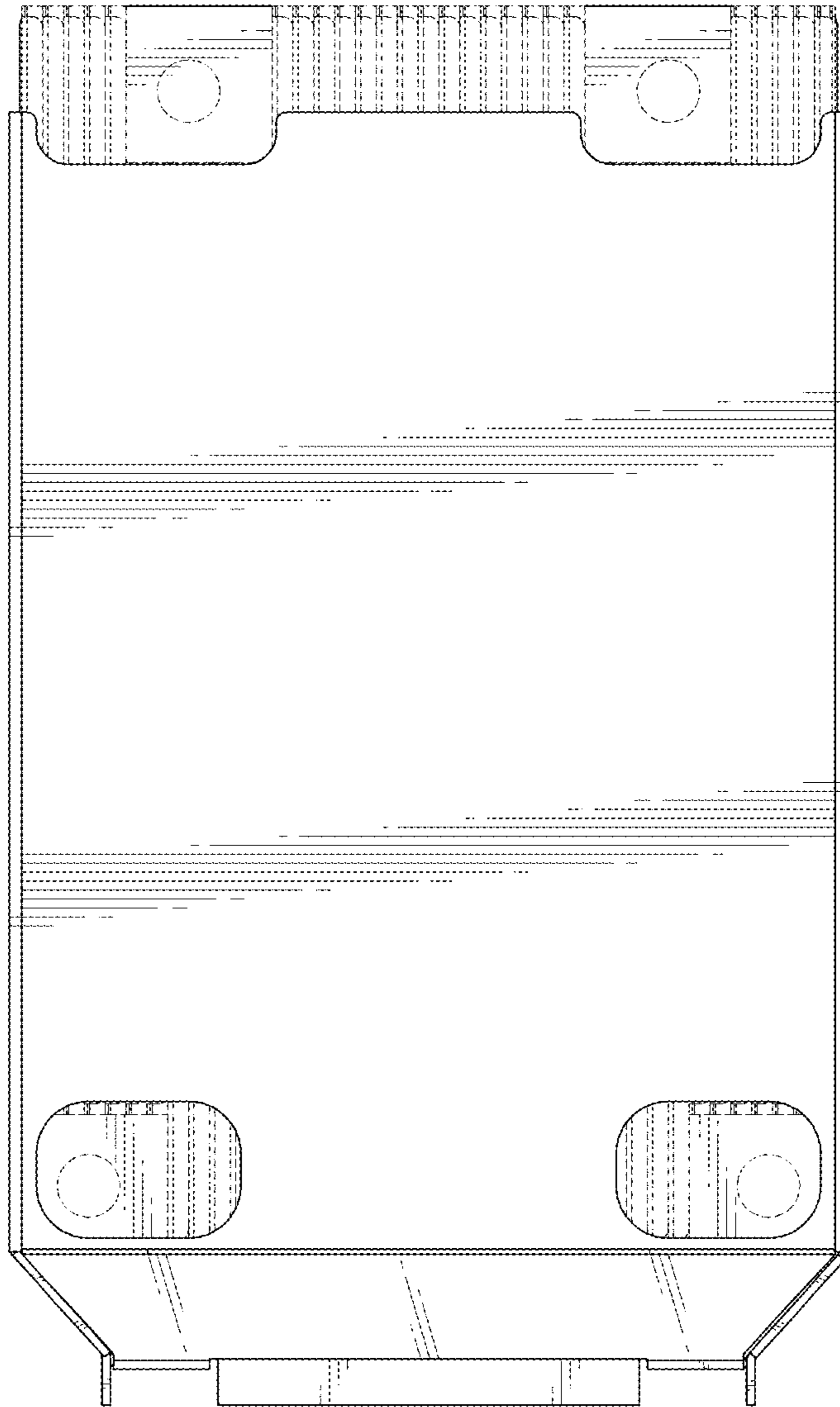


FIG.6



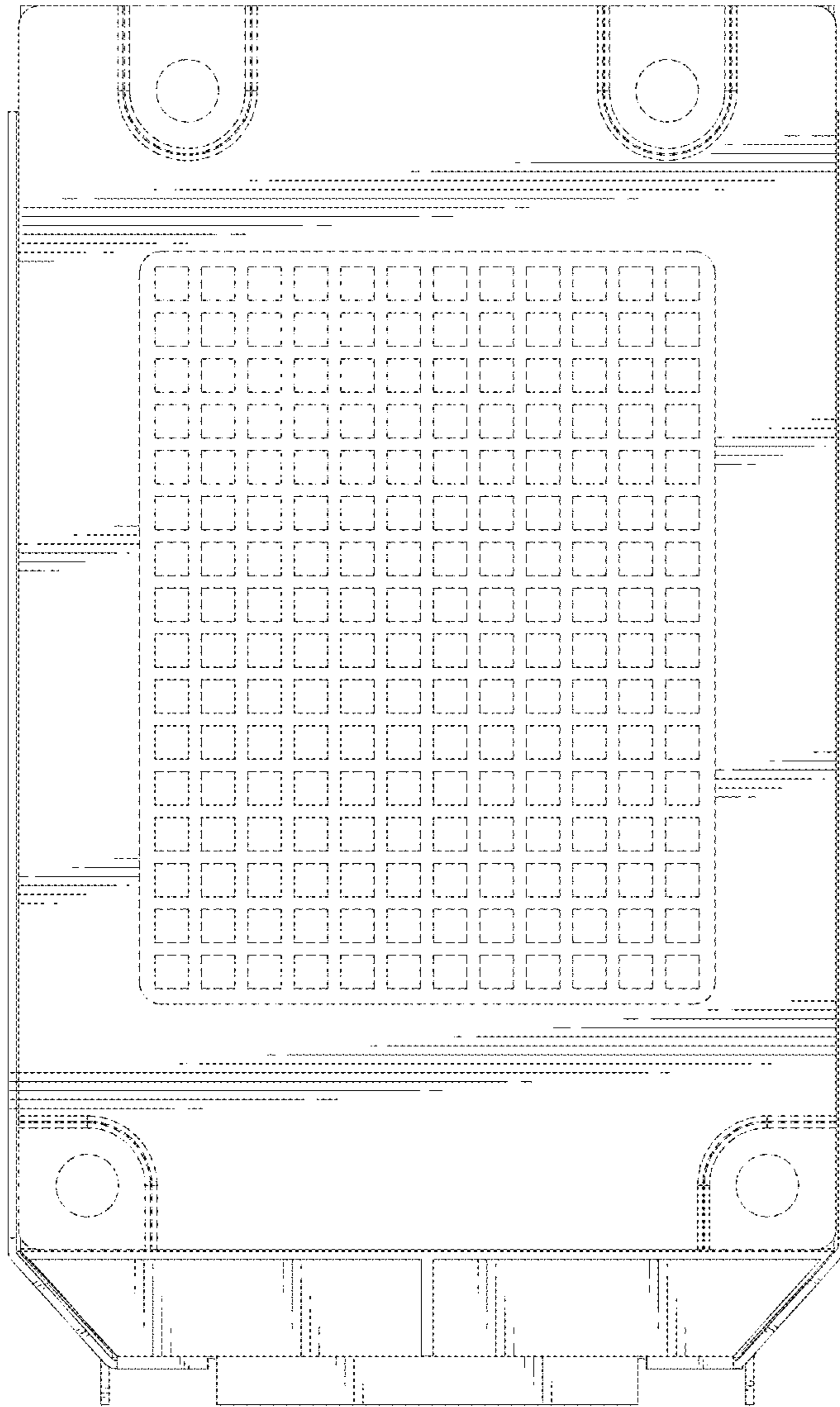


FIG.7

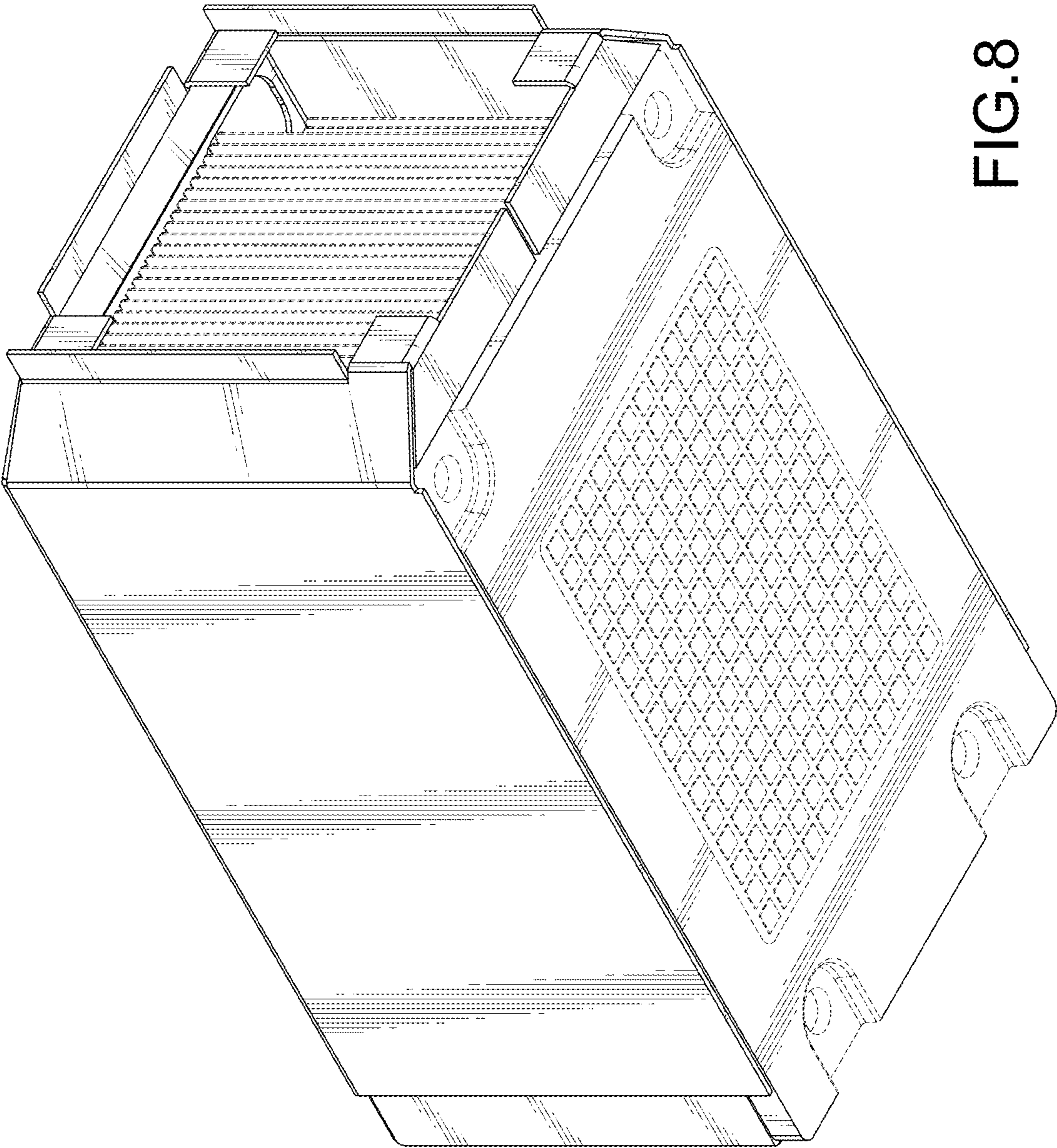


FIG.8

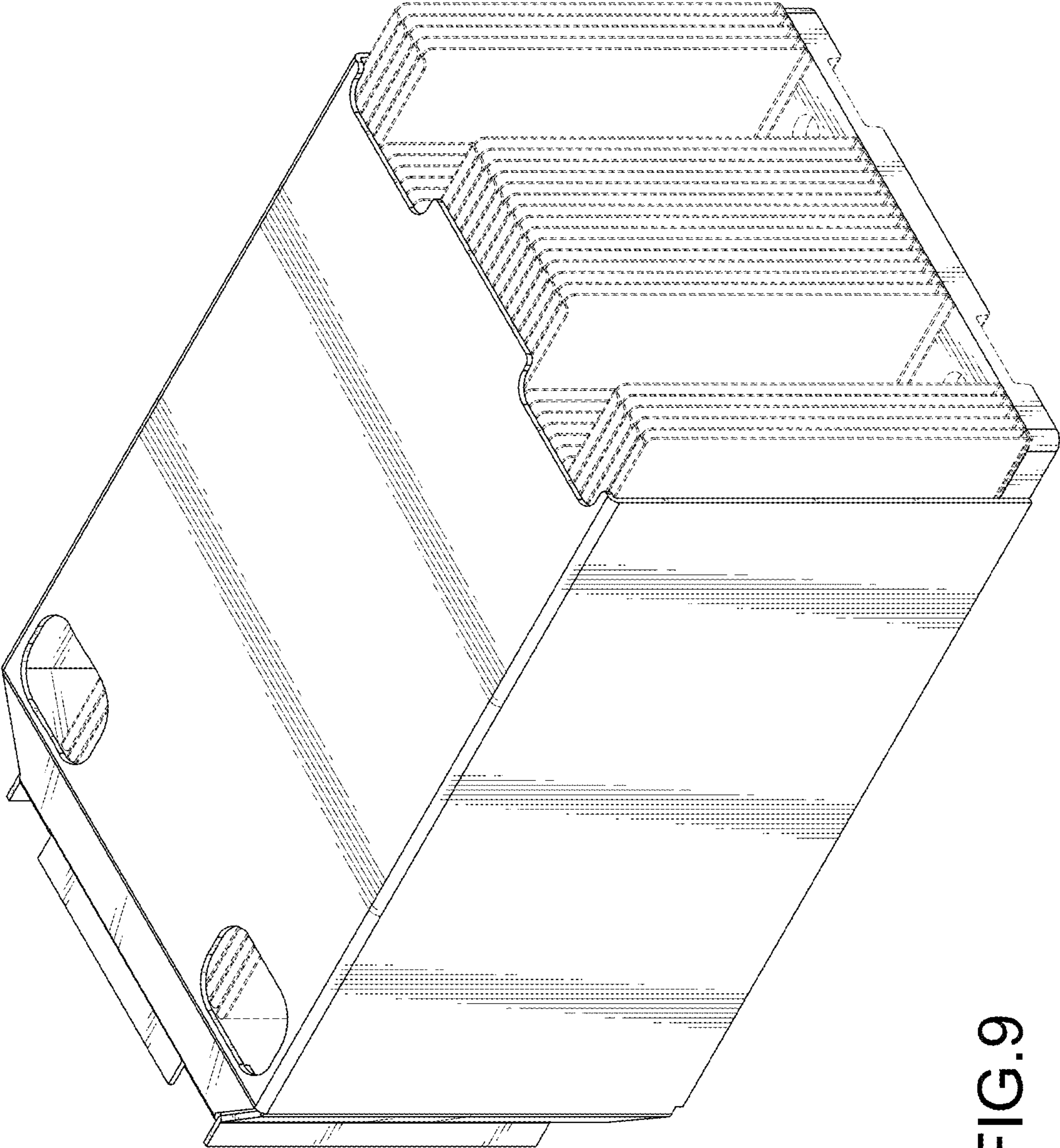


FIG. 9

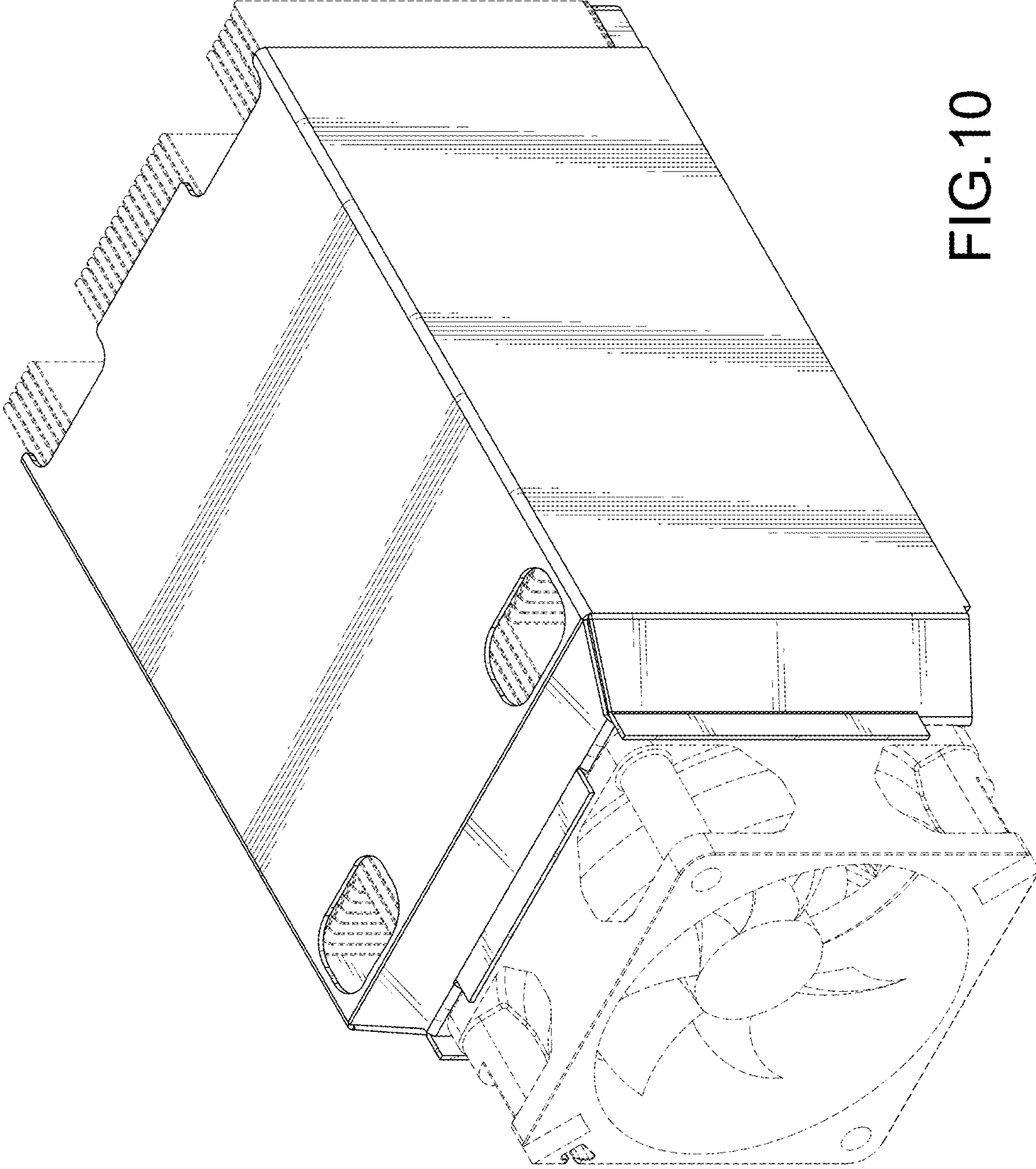


FIG. 10