



US00D950506S

(12) **United States Design Patent** (10) **Patent No.:** **US D950,506 S**
Altonen et al. (45) **Date of Patent:** **** May 3, 2022**

- (54) **CONTROL DEVICE**
- (71) Applicant: **Lutron Technology Company LLC**,
Coopersburg, PA (US)
- (72) Inventors: **Gregory Altonen**, Easton, PA (US);
Jason C. Killo, Emmaus, PA (US);
Matthew Philip McDonald,
Phoenixville, PA (US); **Sean Tucker**,
Bethlehem, PA (US)
- (73) Assignee: **Lutron Technology Company LLC**,
Coopersburg, PA (US)
- (**) Term: **15 Years**
- (21) Appl. No.: **29/753,910**
- (22) Filed: **Oct. 4, 2020**

3,186,981 A 6/1965 De Ronde
 D335,283 S * 5/1993 Justiniano D13/171
 360,235 A 7/1995 Emrys-Roberts et al.
 (Continued)

OTHER PUBLICATIONS

HDL iSense 3 Button Wall Panel from Alltrade; retrieved on Nov. 23, 2021; 1 pg; <https://www.alltrade.co.uk/shop/hdl-isense-3-button-wall-panel>.*

(Continued)

Primary Examiner — Selina Sikder

(74) *Attorney, Agent, or Firm* — Saidman DesignLaw Group, LLC

(57) **CLAIM**

The ornamental design for a control device, as shown and described.

DESCRIPTION

FIG. 1 is a front perspective view of a control device showing our new design;
 FIG. 2 is a front view thereof;
 FIG. 3 is a left side view thereof;
 FIG. 4 is a right side view thereof;
 FIG. 5 is a top view thereof;
 FIG. 6 is a bottom view thereof;
 FIG. 7 is an enlarged view of a button of FIG. 1;
 FIG. 8 is an enlarged view of a button of FIG. 2;
 FIG. 9 is an enlarged view of a button of FIG. 4;
 FIG. 10 is an enlarged partial view of the faceplate of FIG. 1;
 FIG. 11 is an enlarged partial view of the faceplate of FIG. 2;
 FIG. 12 is an enlarged view of the faceplate of FIG. 4; and,
 FIG. 13 is an enlarged view of the faceplate of FIG. 6.
 The broken lines illustrate structure or features which form no part of the claimed design.
 In FIGS. 7-13, the broken lines identify enlargements.

Related U.S. Application Data

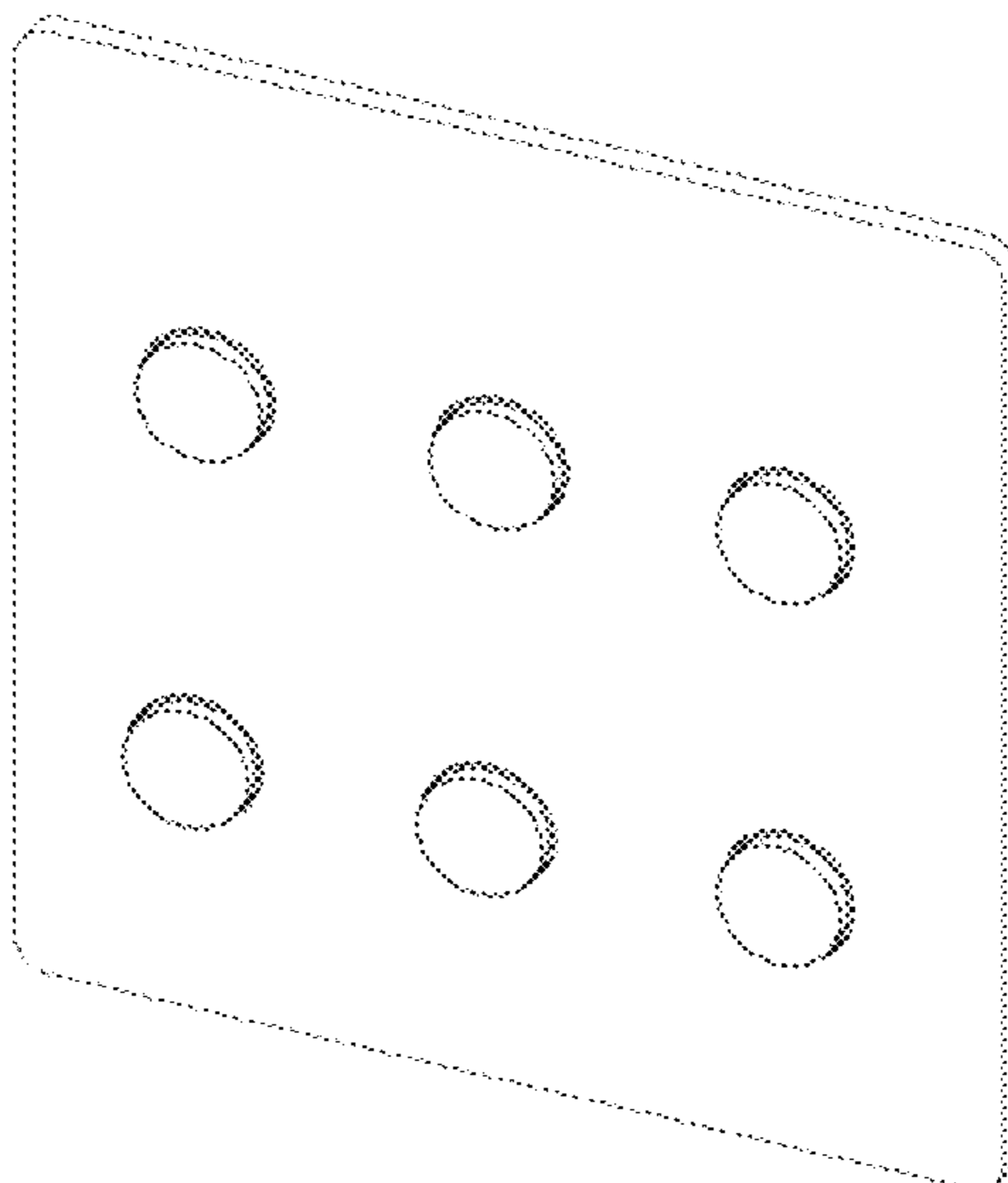
- (63) Continuation of application No. 29/723,770, filed on Feb. 10, 2020.
- (51) **LOC (13) Cl.** **13-03**
- (52) **U.S. Cl.**
USPC **D13/164**
- (58) **Field of Classification Search**
USPC D13/162, 164, 171
CPC .. H01H 3/12; H01H 9/02; H01H 9/16; H01H 9/18; H01H 9/181; H01H 9/182; H01H 13/04; H01H 13/14; H01H 2009/187; H05B 39/02; H05B 39/04; H05B 39/085; H05B 39/086; H05B 39/088
See application file for complete search history.

References Cited

U.S. PATENT DOCUMENTS

1,796,226 A 3/1931 Tombler
 2,215,260 A 9/1940 Woodward
 3,185,803 A 5/1965 Driscoll

1 Claim, 11 Drawing Sheets



(56)

References Cited

U.S. PATENT DOCUMENTS

5,834,695 A 11/1998 Herbert
 433,954 A 11/2000 Delsart
 453,742 A1 2/2002 Butler et al.
 510,074 A1 9/2005 Larson et al.
 547,273 A1 7/2007 Mierta et al.
 573,956 A1 7/2008 Hollner et al.
 595,240 A1 6/2009 Busbridge
 621,795 A1 8/2010 Tsui et al.
 635,102 A1 3/2011 Tsui et al.
 652,087 A1 1/2012 Dawes
 663,700 A1 7/2012 Deal
 8,786,196 B2 7/2014 Biery et al.
 777,688 A1 1/2017 Seidl et al.
 D817,898 S * 5/2018 Seidl D13/164
 D921,595 S * 6/2021 Altonen D13/164
 D921,596 S * 6/2021 Altonen D13/164
 D922,334 S * 6/2021 Altonen D13/164
 D922,965 S * 6/2021 Altonen D13/162
 11,107,648 B2 * 8/2021 Duncan F21V 3/0625
 2010/0059351 A1 3/2010 Wu et al.
 2010/0270138 A1 10/2010 Yamanaka
 2019/0230762 A1 7/2019 McDonald et al.
 2019/0252137 A1 8/2019 McDonald et al.
 2020/0381191 A1 * 12/2020 Duncan F21V 19/001
 2021/0257170 A1 * 8/2021 Blair H01H 13/70

OTHER PUBLICATIONS

Clipsal 4061PBLHB; Mar. 31, 2014; 1 pg; <https://www.bing.com/videos/search?q=saturn+horizon+switch&&view=detail&mid=29784129A37E9021BA0629784129A37E9021BA06&&FORM=VRD GAR&ru=%2Fvideos%2Fsearch%3Fq%3Dsatur n%2Bhorizon%2Bswitch%26%26FORM%3DVDV VXX>.
 Clipsal 4063PB Push Button Switch; before 2017; 1 pg.
 Topshall Illuminated Wall Mount Push Switch; before 2017; 1 pg; <https://www.google.com/search?hi=en&biw=1536&bih=813&tbm=isch&sa=1&ei=Op-fXbiw5qSCB9e7oIAO&q=push+button+dimmer+>

switch+before+2017&oq=push+button+dimmer+switch+before+2017&gs_l=img.3...3379.7032..8742...0.0..0.67.630.12..0.1.gws-wiz-
 img.
 RetroTouch 4 Gang 2 way Dimmer CT 02100; <https://www.lightswitchesandplugsockets.co.uk/retrotouch-4-gang-2-way-dimmer-switch-3-200w-led-halogen-white-glass-ct-02100-4720-p.asp>.
 Varilight-Catalogue; <https://www.varilight.co.uk/varilight-catalogue.pdf>.
<http://legrand.com.vn/mallia/downloads/mallia.pdf>, 2010, 30 pages.
 Knightsbridge Catalogue, Lighting and Wiring Accessories, 2015, p. 8, 36; https://issuu.com/mlaccessorieslimited/docs/2015_mla_catalogue.
 Lutron Electronics Co., Inc., "Lutron Keypads", brochure, available from internet, <<http://www.lutron.com/europe/>>, Jan. 2018.
 Legrand®, Mallia™ Catalogue, "Look Touch Love Woo," Apr. 2010 (26 pages).
 Arnould, Art d'Arnould Brochure (English version), Apr. 2011 (52 pages).
 Meljac, Catalogue 2014 (108 pages).
 Forbes & Lomax, Catalogue, available at least as early as Sep. 9, 2017 (15 pages).
 Varilight Catalogue 2016, XFSP1—push button switch; 1 pg; <https://www.varilight.co.uk/flipbook/index.php?page=1>.
 Topshall Push Button Panel; 2017; 1 pg.; <http://www.topshall-switch.com/panel-with-metal-switch-sets/2017-waterproof-international-illuminated.html>.
 Luxonov 2019 Catalog; PNV001-CF push button light switch, 1 pg. <https://www.archiexpo.com/prod/luxonov/product-68488-1841755.html>.
 U.S. Appl. No. 29/616,874, filed Sep. 9, 2017 (unpublished).
 U.S. Appl. No. 29/625,371, filed Nov. 9, 2017 (unpublished).
 U.S. Appl. No. 29/634,277, filed Jan. 19, 2018 (unpublished).
 U.S. Appl. No. 29/634,284, filed Jan. 19, 2018 (unpublished).
 U.S. Appl. No. 29/653,545, filed Jun. 15, 2018 (unpublished).
 U.S. Appl. No. 29/753,872, filed Oct. 2, 2020 (unpublished).
 U.S. Appl. No. 29/753,911, filed Oct. 4, 2020 (unpublished).
 U.S. Appl. No. 29/754,004, filed Oct. 5, 2020 (unpublished).

* cited by examiner

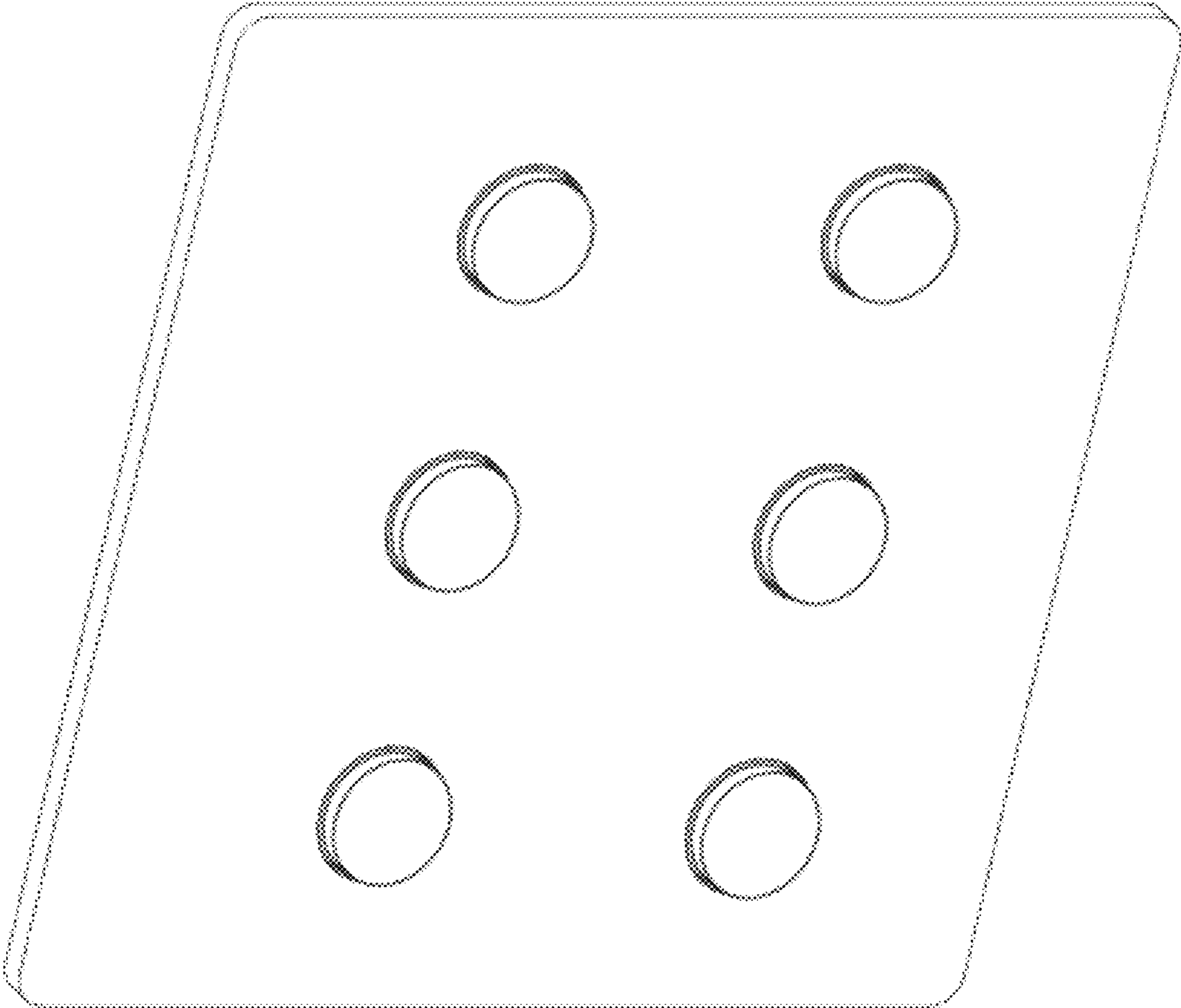


FIG. 1

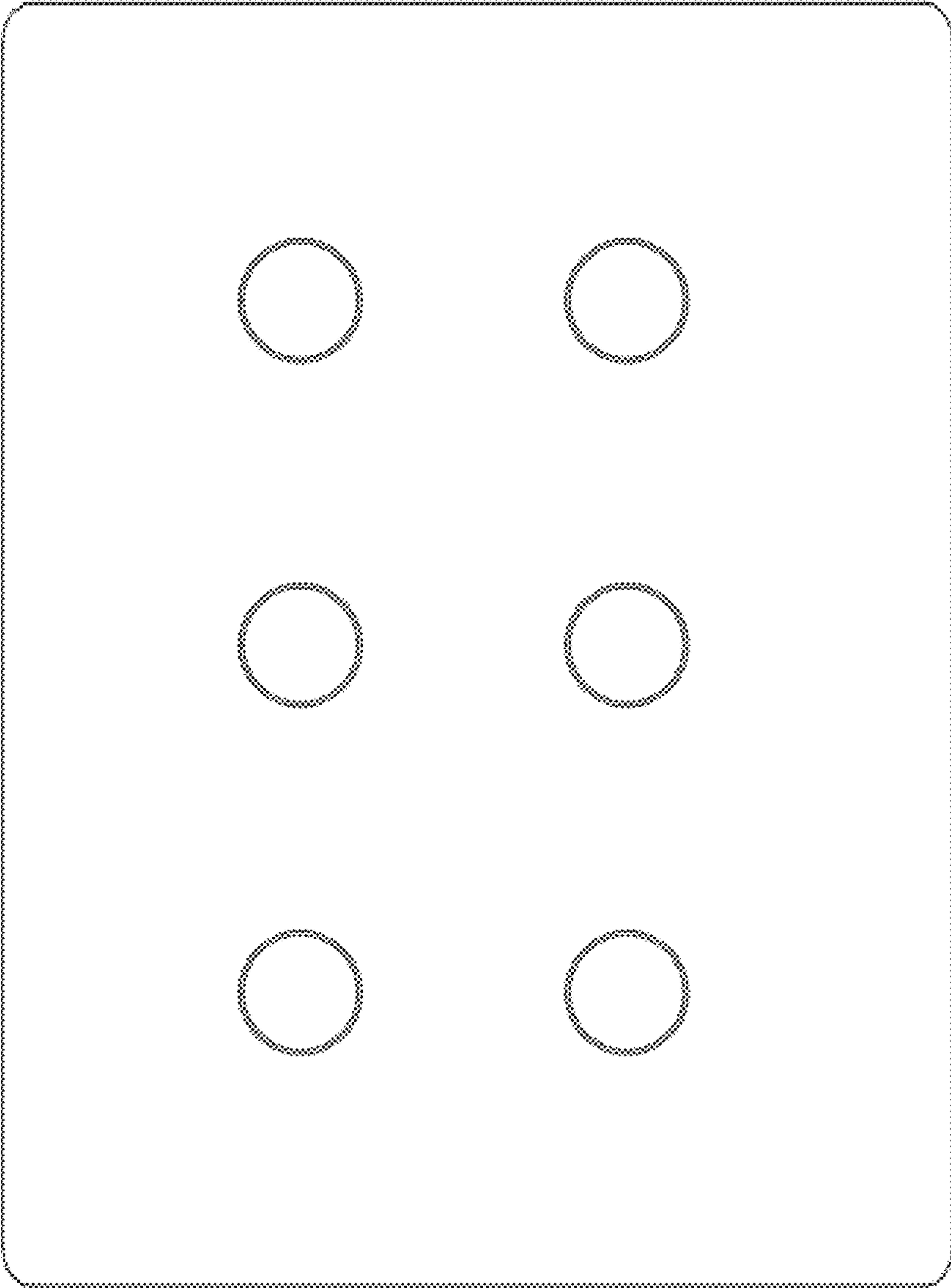


FIG. 2

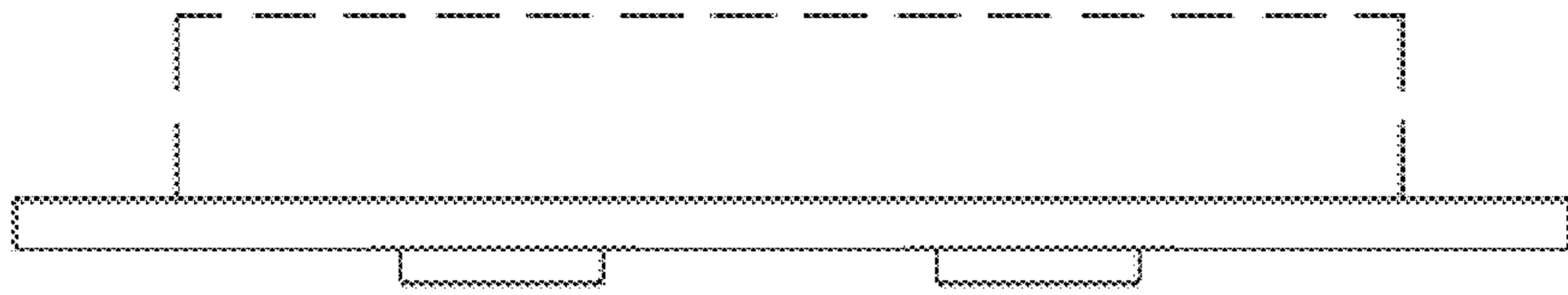


FIG. 4

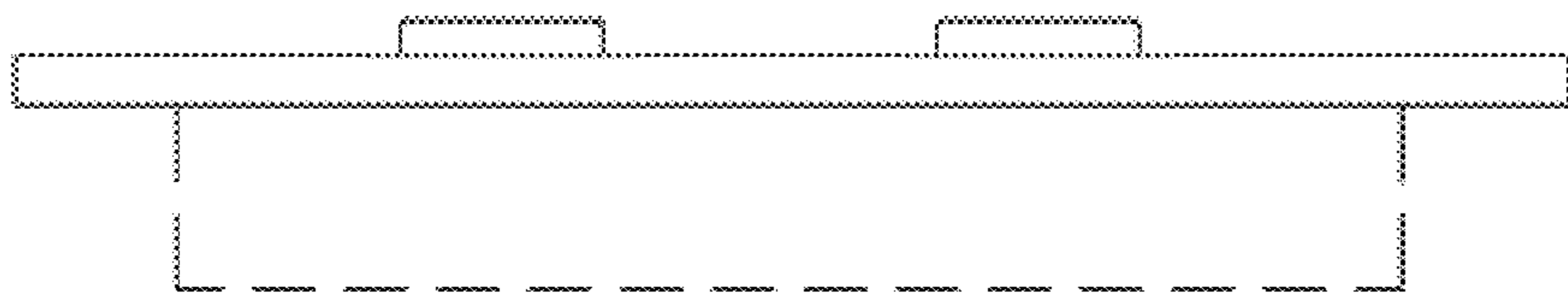


FIG. 3

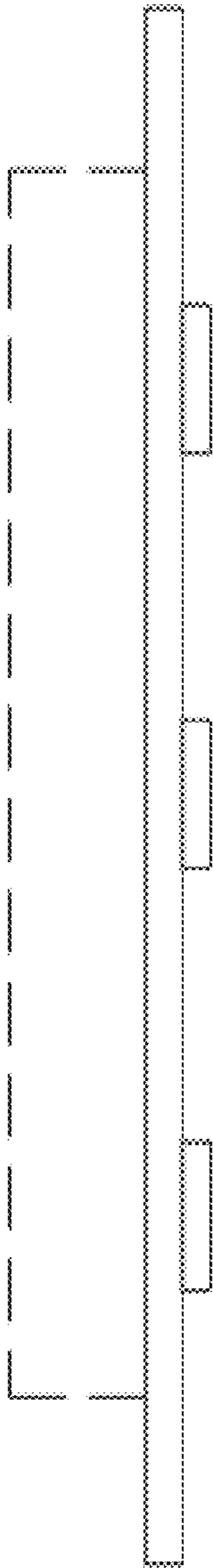


FIG. 5

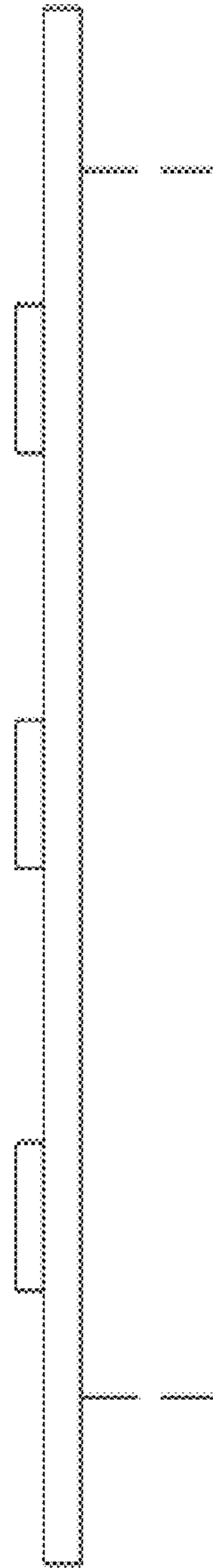


FIG. 6

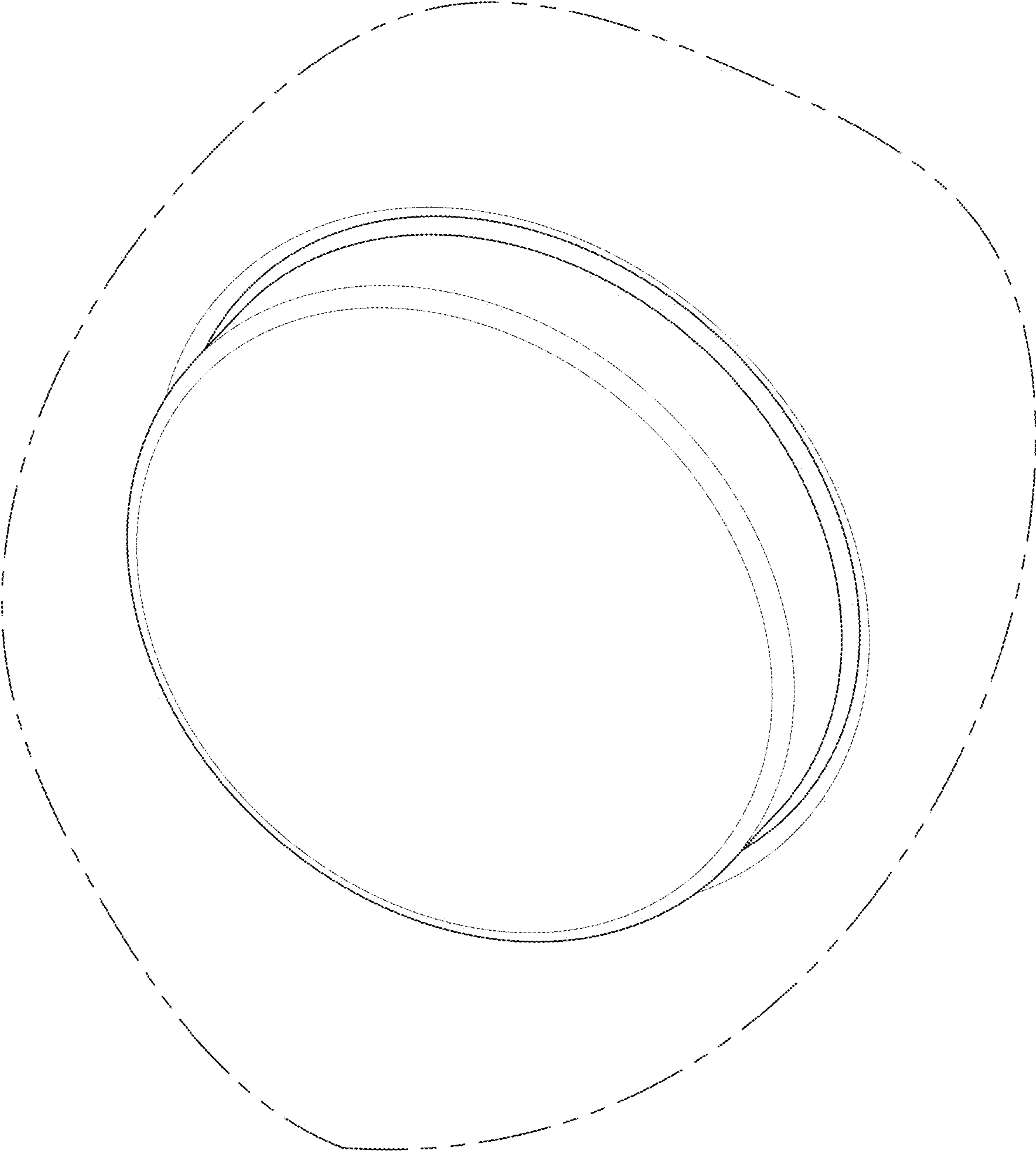


FIG. 7

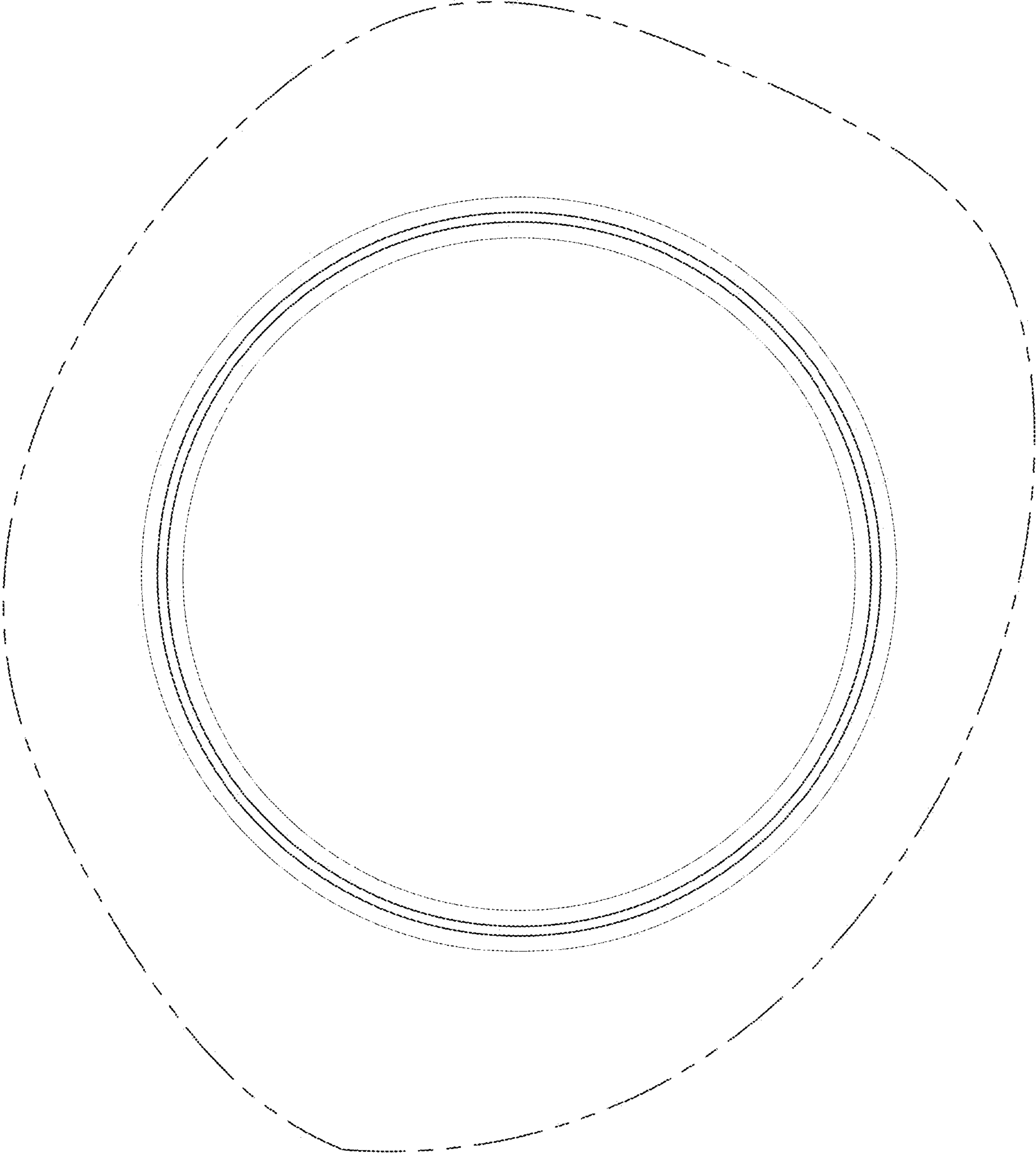


FIG. 8

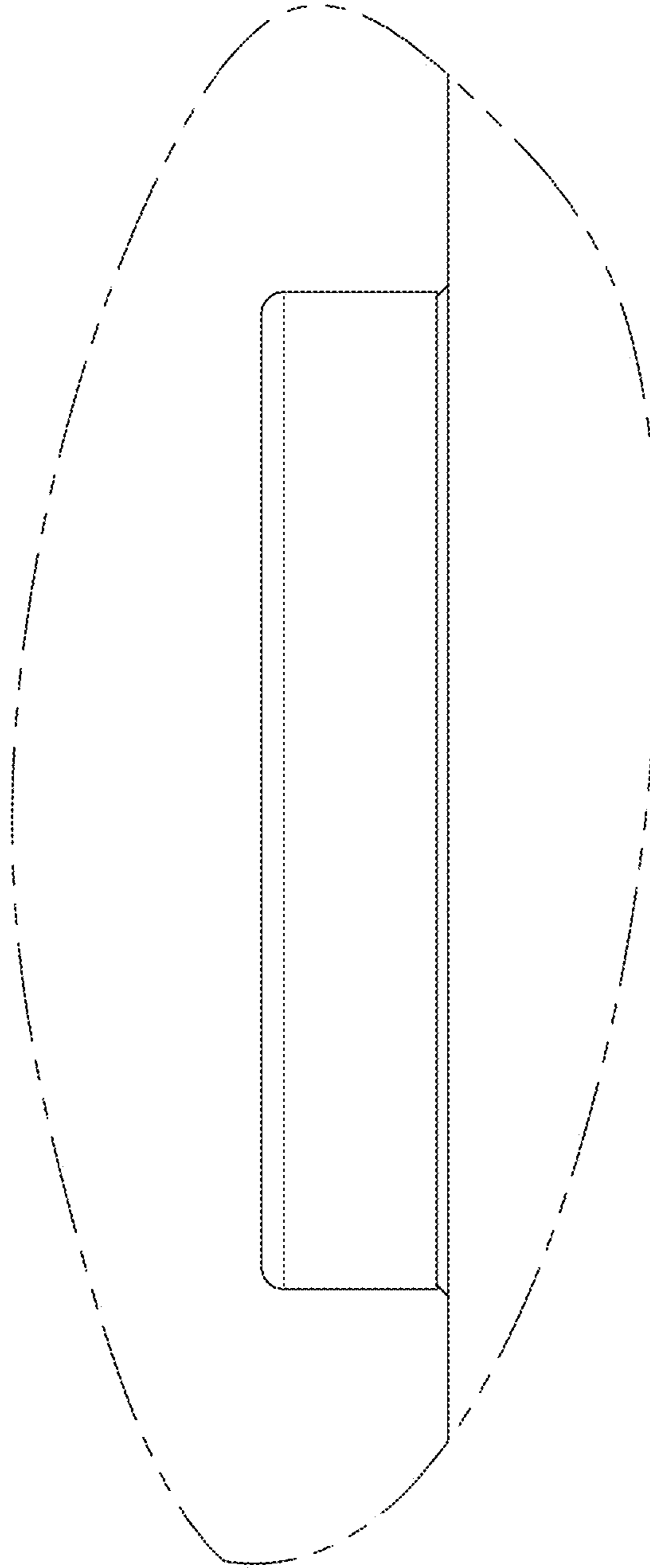


FIG. 9

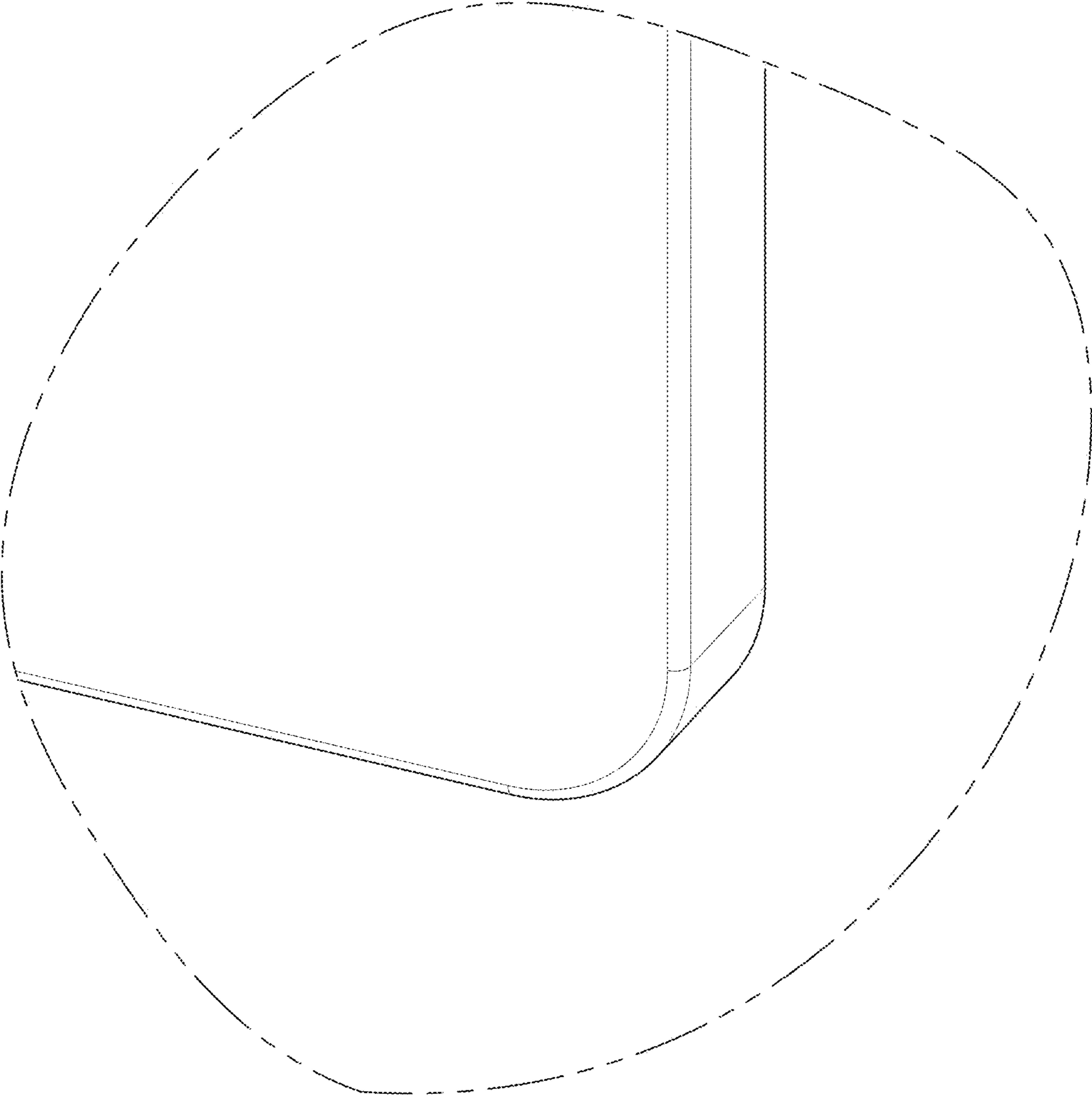


FIG. 10

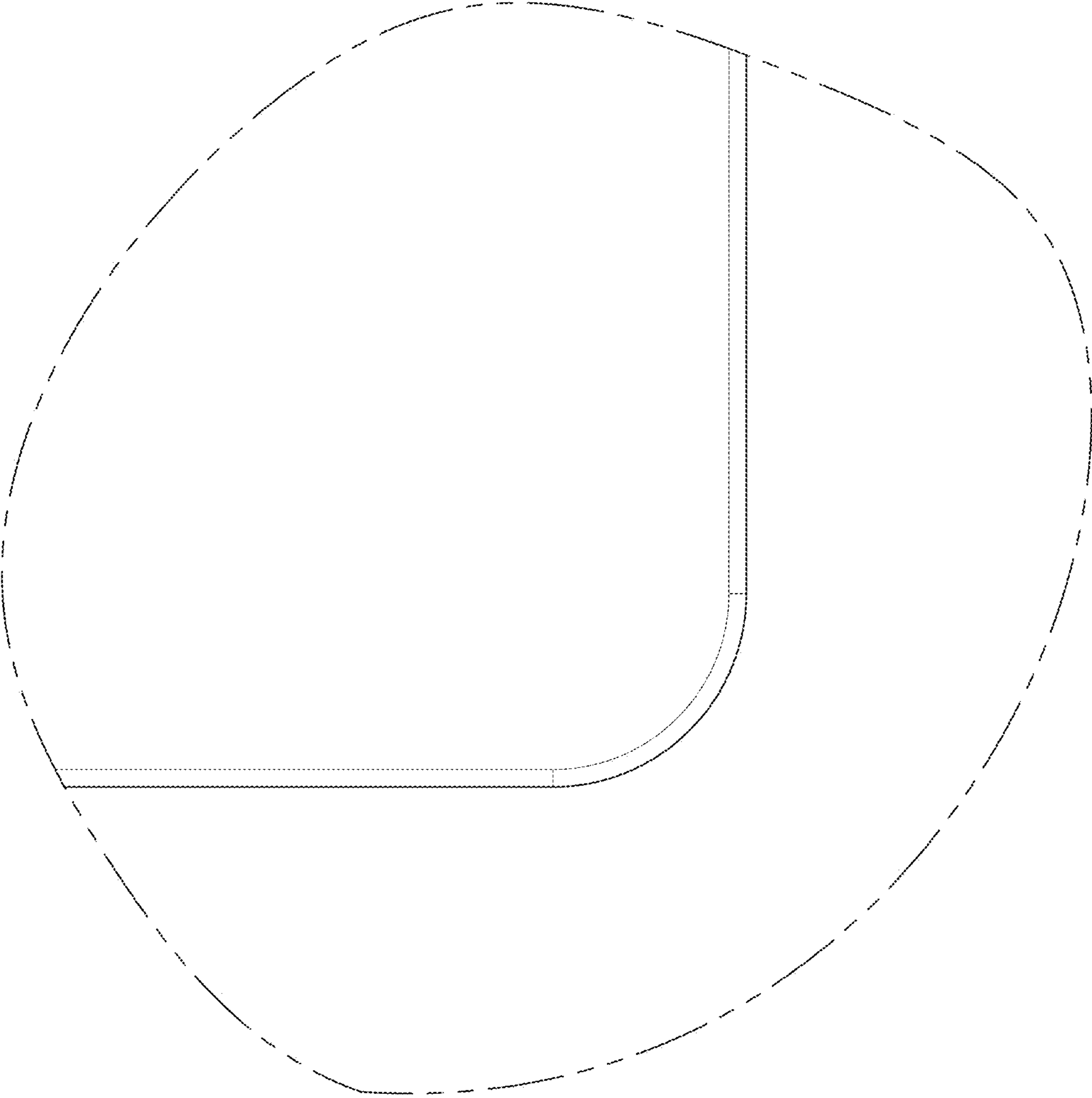


FIG. 11

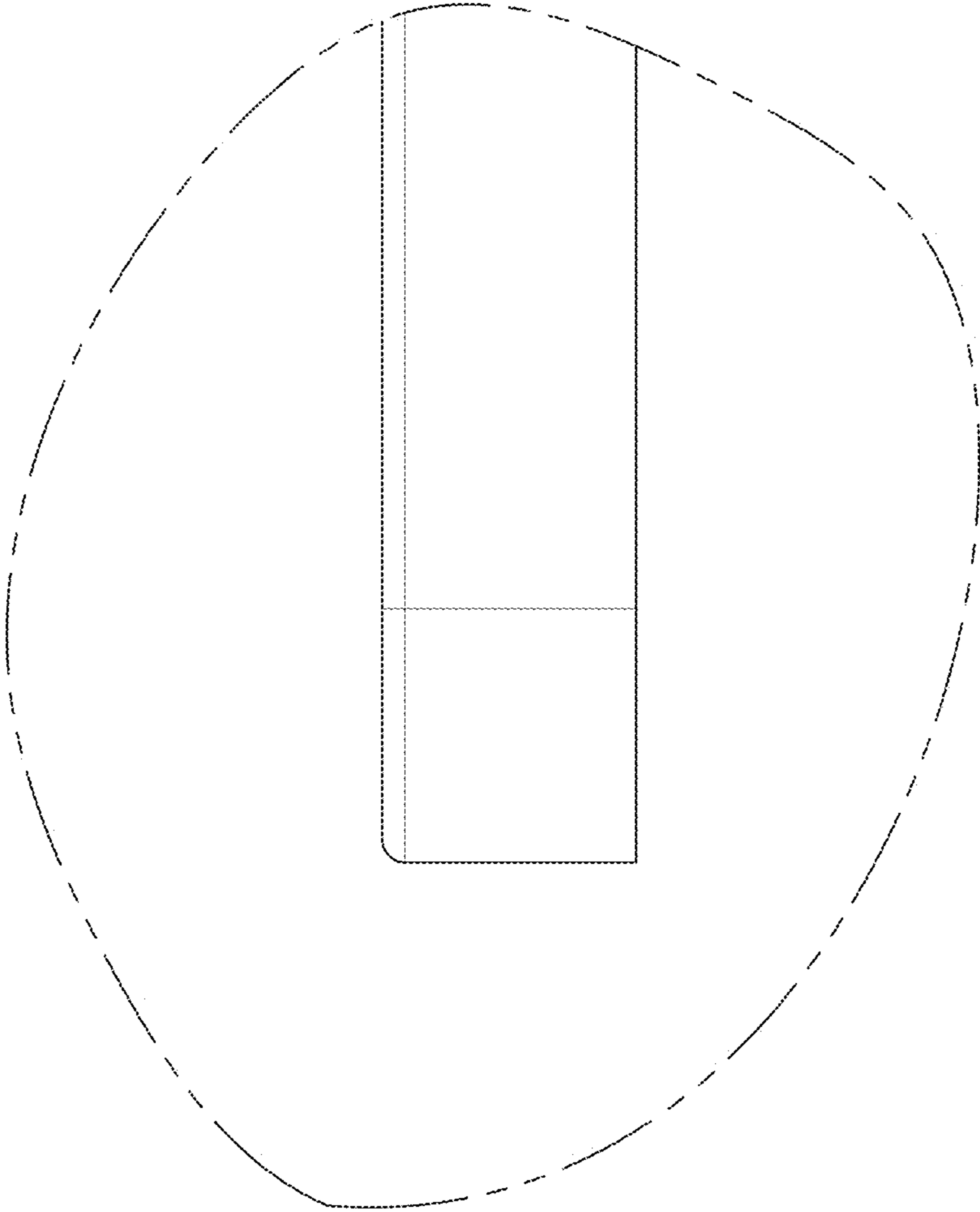


FIG. 12

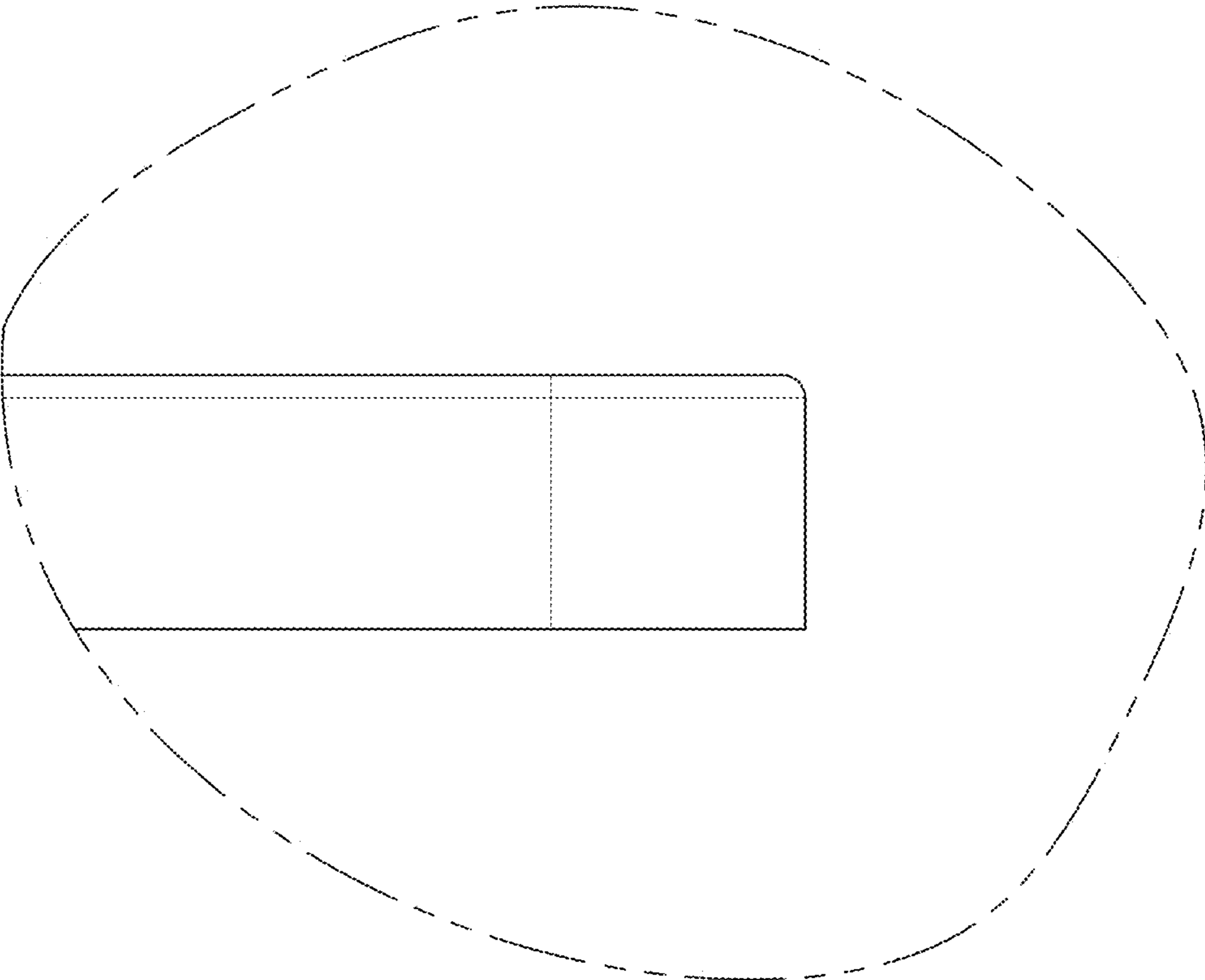


FIG. 13