



US00D950504S

(12) **United States Design Patent**
Chuang et al.

(10) **Patent No.:** **US D950,504 S**

(45) **Date of Patent:** **** May 3, 2022**

(54) **SWITCHING DEVICE**

H05B 39/085; H05B 39/086; H05B
39/088; G08C 17/02; H03K 17/96; H03K
17/962

(71) Applicants: **Interface Technology (ChengDu) Co., Ltd.**, Sichuan (CN); **Interface Optoelectronics (ShenZhen) Co., Ltd.**, Guangdong (CN); **General Interface Solution Limited**, Miaoli County (TW)

See application file for complete search history.

(56)

References Cited

U.S. PATENT DOCUMENTS

(72) Inventors: **Fu-Chiang Chuang**, Miaoli County (TW); **Wen-Hsiao Huang**, Miaoli County (TW); **Fu-Cheng Wei**, Miaoli County (TW); **Chih-Lin Liao**, Miaoli County (TW)

D335,283	S	*	5/1993	Justiniano	D13/171
D445,095	S	*	7/2001	Ciornei	D13/164
D553,583	S	*	10/2007	Xu	D13/164
D562,264	S	*	2/2008	Jeong	D13/164
D588,069	S	*	3/2009	Cummings	D13/158
D595,240	S	*	6/2009	Busbridge	D13/164
D621,795	S	*	8/2010	Tsui	D13/171
D691,969	S	*	10/2013	Chu	D13/164
D722,981	S	*	2/2015	Livschitz	D13/162
D736,717	S	*	8/2015	Duffy	D13/162
D763,803	S	*	8/2016	Dorn	D13/171
10,102,742	B2	*	10/2018	Dimberg	H05B 47/19
D840,857	S	*	2/2019	Scalisi	D10/118.2
D911,983	S	*	3/2021	Chen	D13/170
D927,433	S	*	8/2021	Harrison	D13/164

(73) Assignees: **Interface Technology (ChengDu) Co., Ltd.**, Chengdu (CN); **Interface Optoelectronics (ShenZhen) Co., Ltd.**, Shenzhen (CN); **General Interface Solution Limited**, Miaoli County (TW)

(Continued)

(**) Term: **15 Years**

Primary Examiner — Selina Sikder

(21) Appl. No.: **29/813,217**

(74) *Attorney, Agent, or Firm* — Locke Lord LLP; Tim Tingkang Xia, Esq.

(22) Filed: **Oct. 27, 2021**

Related U.S. Application Data

(62) Division of application No. 29/708,087, filed on Oct. 3, 2019, now Pat. No. Des. 941,784.

(57)

CLAIM

The ornamental design for a switching device, as shown and described.

(30) **Foreign Application Priority Data**

DESCRIPTION

Sep. 11, 2019 (CN) 201930499992.0

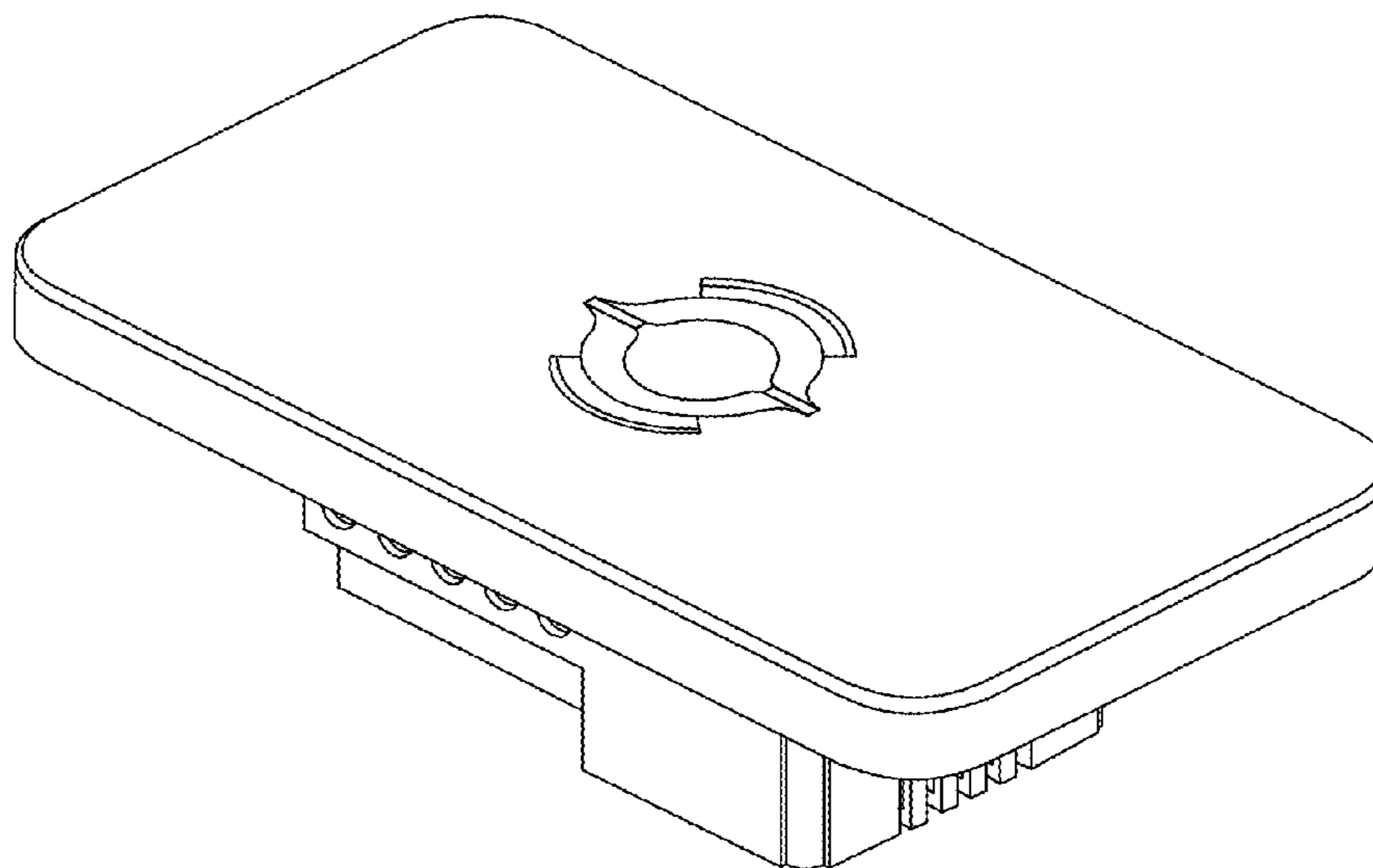
(51) **LOC (13) Cl.** **13-03**

(52) **U.S. Cl.**
USPC **D13/162**

(58) **Field of Classification Search**
USPC D13/162, 164, 171
CPC .. H01H 3/12; H01H 9/02; H01H 9/16; H01H 9/18; H01H 9/181; H01H 9/182; H01H 13/04; H01H 13/06; H01H 13/14; H01H 2009/187; H05B 39/02; H05B 39/04;

FIG. 1 is a perspective view of the switching device; FIG. 2 is a front elevation view of FIG. 1; FIG. 3 is a rear elevation view of FIG. 1; FIG. 4 is a left side elevation view of FIG. 1; FIG. 5 is a right side elevation view of FIG. 1; FIG. 6 is a top plan view of FIG. 1; and, FIG. 7 is a bottom view of FIG. 1.

1 Claim, 7 Drawing Sheets



(56)

References Cited

U.S. PATENT DOCUMENTS

D941,784 S * 1/2022 Chuang D13/164
2018/0228003 A1 * 8/2018 O'Driscoll G06F 3/03547
2019/0187839 A1 * 6/2019 Huang G08C 17/02

* cited by examiner

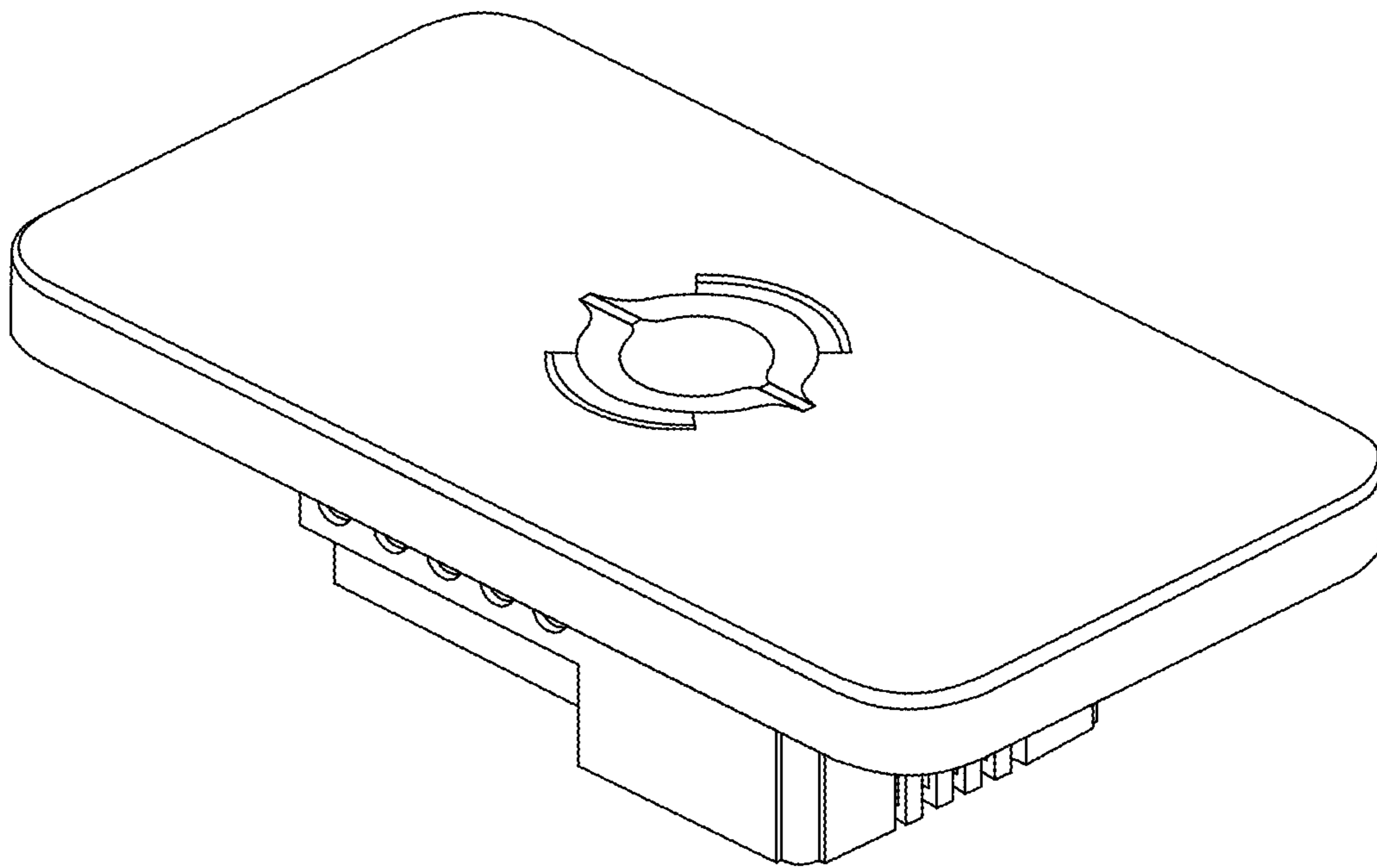


Fig. 1

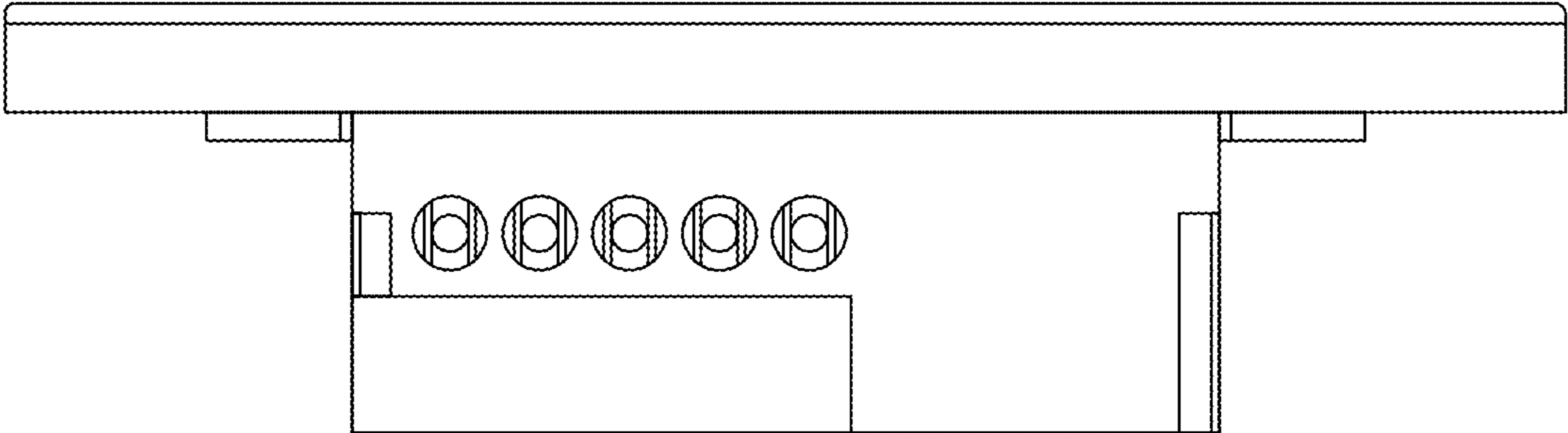


Fig. 2

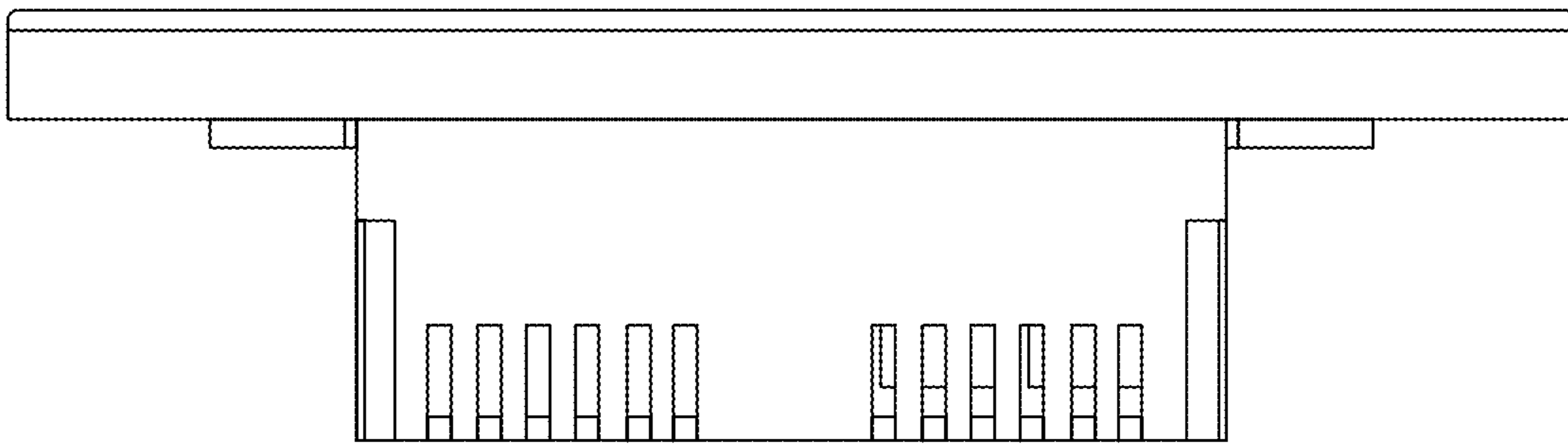


Fig. 3

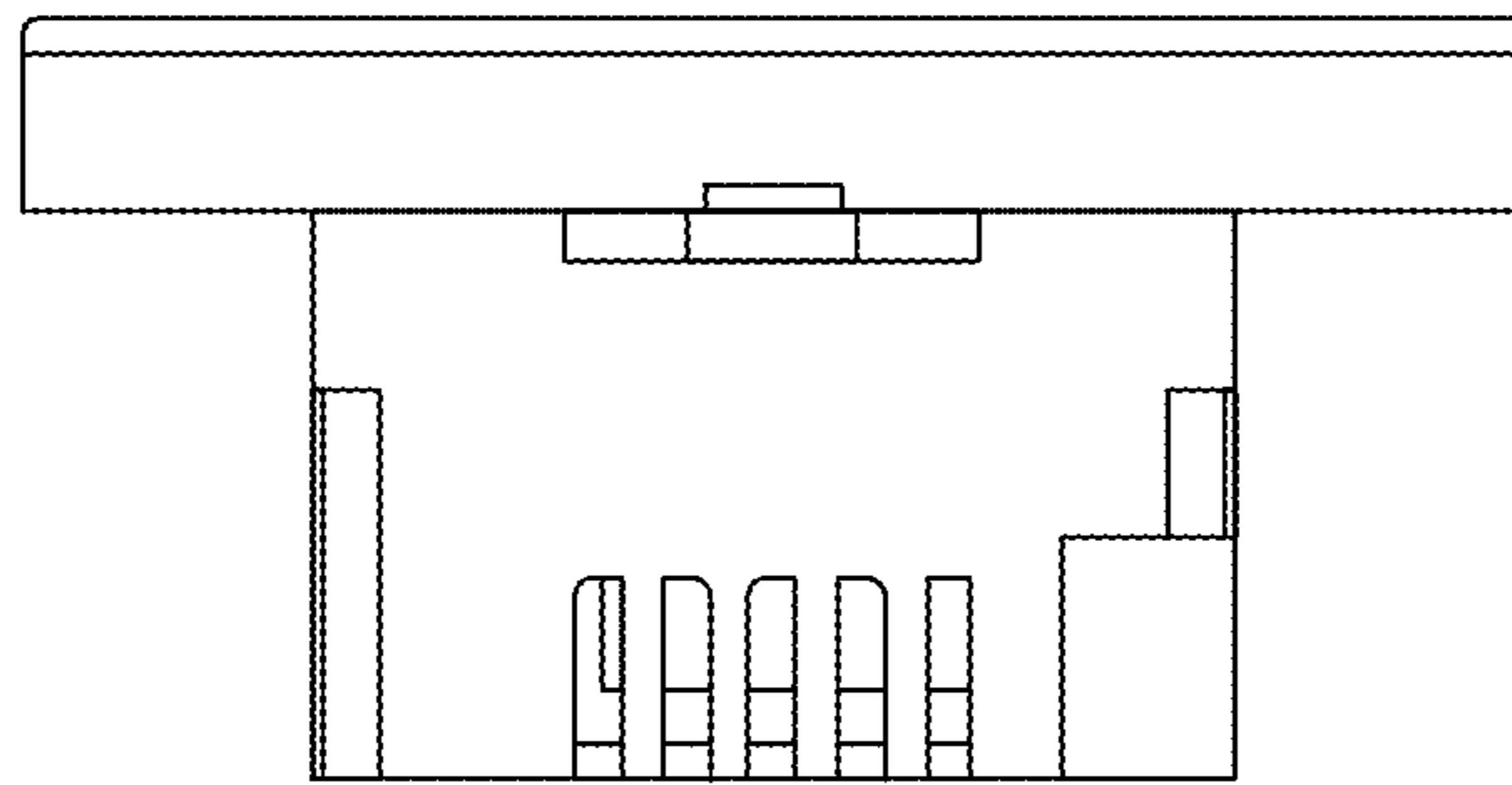


Fig. 4

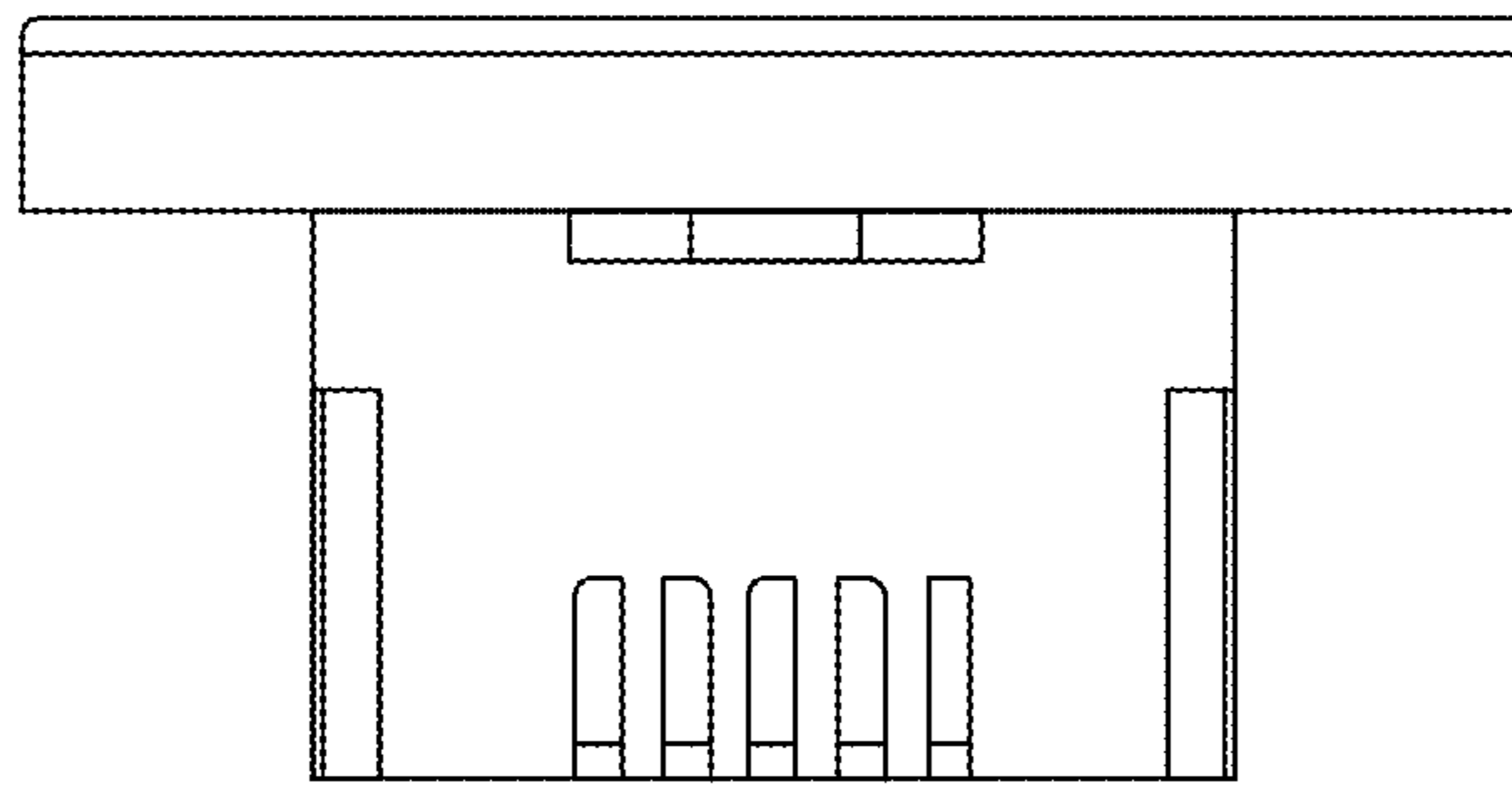


Fig. 5

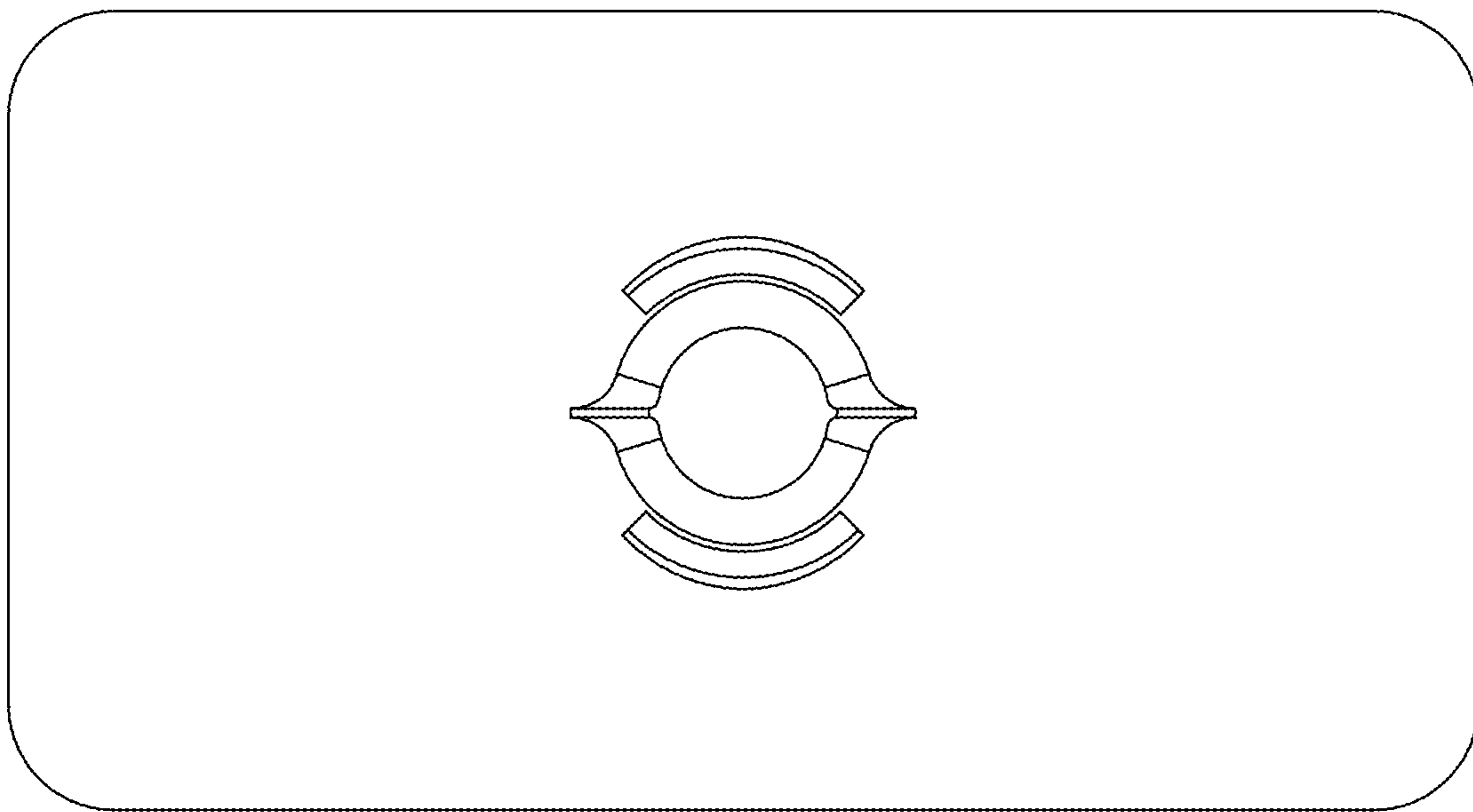


Fig. 6

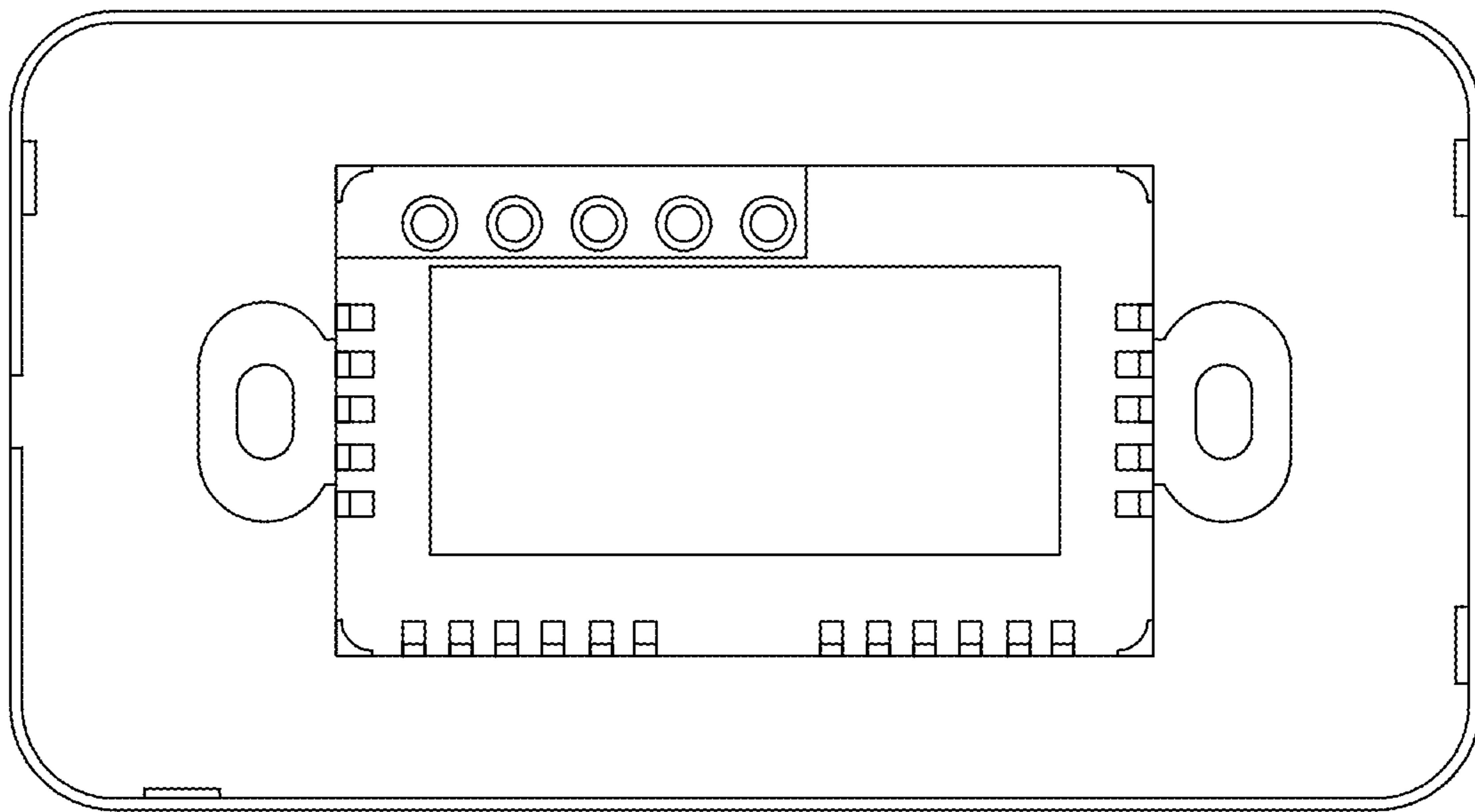


Fig. 7