



US00D950503S

(12) **United States Design Patent**
Song et al.

(10) **Patent No.:** **US D950,503 S**
(45) **Date of Patent:** **** May 3, 2022**

- (54) **SHELL** 8,529,282 B1 * 9/2013 Westman H01R 13/6273
439/345
- (71) Applicant: **DONGGUAN LUXSHARE** D727,852 S * 4/2015 Buck D13/154
TECHNOLOGIES CO., LTD, D748,063 S * 1/2016 Buck D13/154
Dongguan (CN) D759,602 S * 6/2016 Murphy D13/147
- (72) Inventors: **Tao Song,** Dongguan (CN); **Kun Liu,** 9,761,975 B1 * 9/2017 Wang H01R 12/716
Dongguan (CN); **Rongzhe Guo,** D835,047 S * 12/2018 Bingham D13/147
Dongguan (CN); **Chuanqi Gong,** D839,203 S * 1/2019 Zhu D13/147
Dongguan (CN); **Xiaogang Liu,** D847,095 S * 4/2019 Wan D13/147
Dongguan (CN); **Ming Li,** Dongguan 853,335 S * 7/2019 Huang D13/154
(CN) 2004/0171305 A1 * 9/2004 McGowan H01R 13/502
439/607.06
- (73) Assignee: **DONGGUAN LUXSHARE** 2009/0011643 A1 * 1/2009 Amleshi H01R 13/6471
TECHNOLOGIES CO., LTD, 439/607.05
Dongguan (CN) 2010/0093209 A1 * 4/2010 Liu H01R 13/518
439/541.5

(**) Term: **15 Years**

(21) Appl. No.: **29/759,471**

(22) Filed: **Nov. 23, 2020**

(30) **Foreign Application Priority Data**

Jul. 23, 2020 (CN) 202030404655.1

(51) **LOC (13) Cl.** **13-03**

(52) **U.S. Cl.** **D13/154**
USPC **D13/154**

(58) **Field of Classification Search**
USPC D13/118, 120, 123, 133, 146, 147, 149,
D13/154, 159, 184, 199; D14/433, 438,
D14/439

CPC H01R 13/40; H01R 13/502; H01R 13/514;
H01R 13/518; H01R 13/6471; H01R
12/52; H01R 12/53; H01R 12/515; H01R
12/585; H01R 12/716; H01R 12/7005;
H01R 12/7064; H01R 29/00; H05K 1/18
See application file for complete search history.

(56) **References Cited**

U.S. PATENT DOCUMENTS

- 7,410,393 B1 * 8/2008 Rothermel H01R 29/00
439/49
- 7,485,001 B2 * 2/2009 Chen H01R 13/6585
439/607.05

* cited by examiner

Primary Examiner — Derrick E Holland

(74) *Attorney, Agent, or Firm* — Birch, Stewart, Kolasch
& Birch, LLP

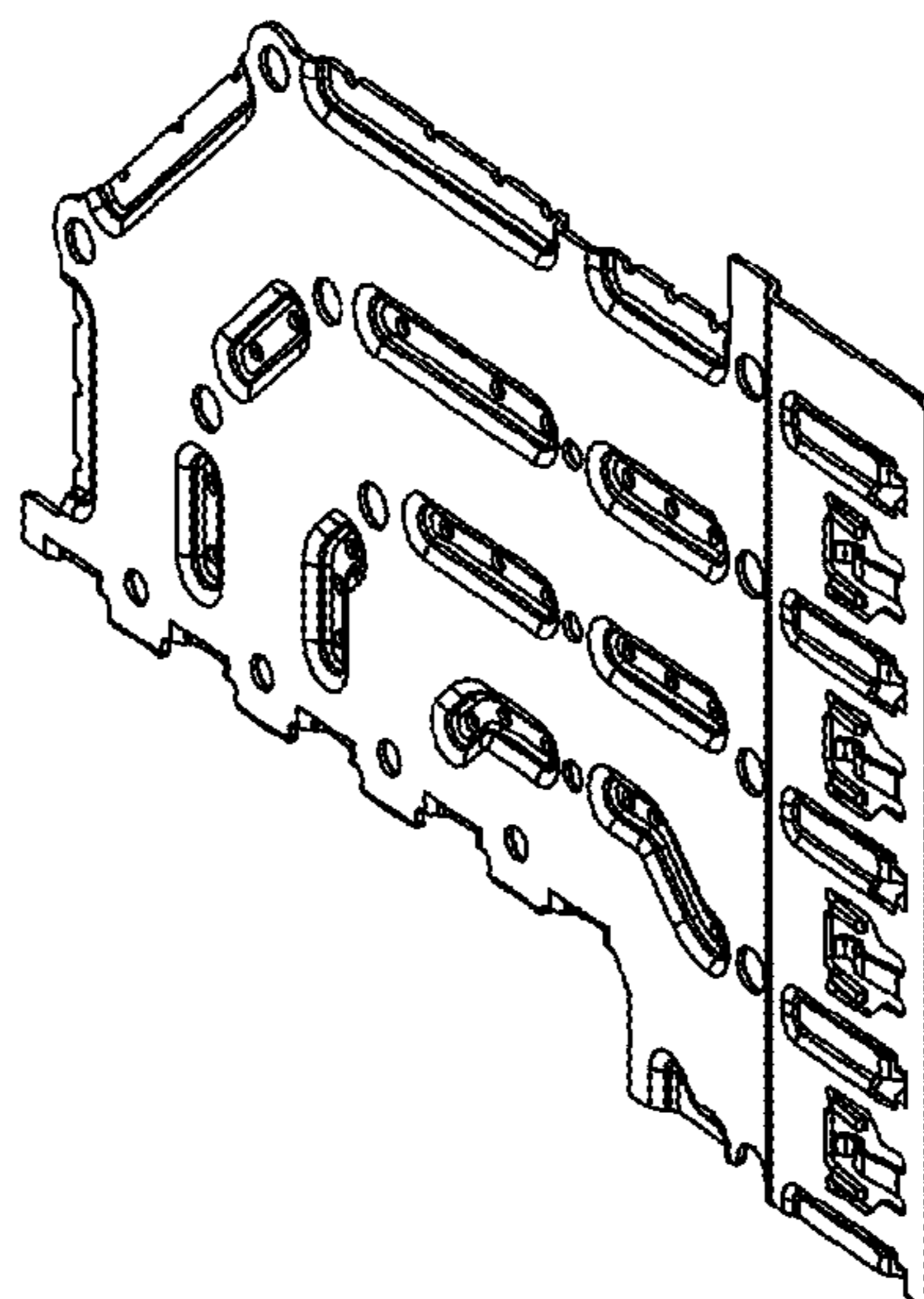
(57) **CLAIM**

The ornamental design for a shell, as shown and described.

DESCRIPTION

FIG. 1 is a front, top and left side perspective view of a shell showing our new design;
 FIG. 2 is a front elevational view of the shell;
 FIG. 3 is a rear elevational view of the shell;
 FIG. 4 is a top plan view of the shell;
 FIG. 5 is a bottom plan view of the shell;
 FIG. 6 is a left side elevational view of the shell; and,
 FIG. 7 is a right side elevational view of the shell.

1 Claim, 7 Drawing Sheets



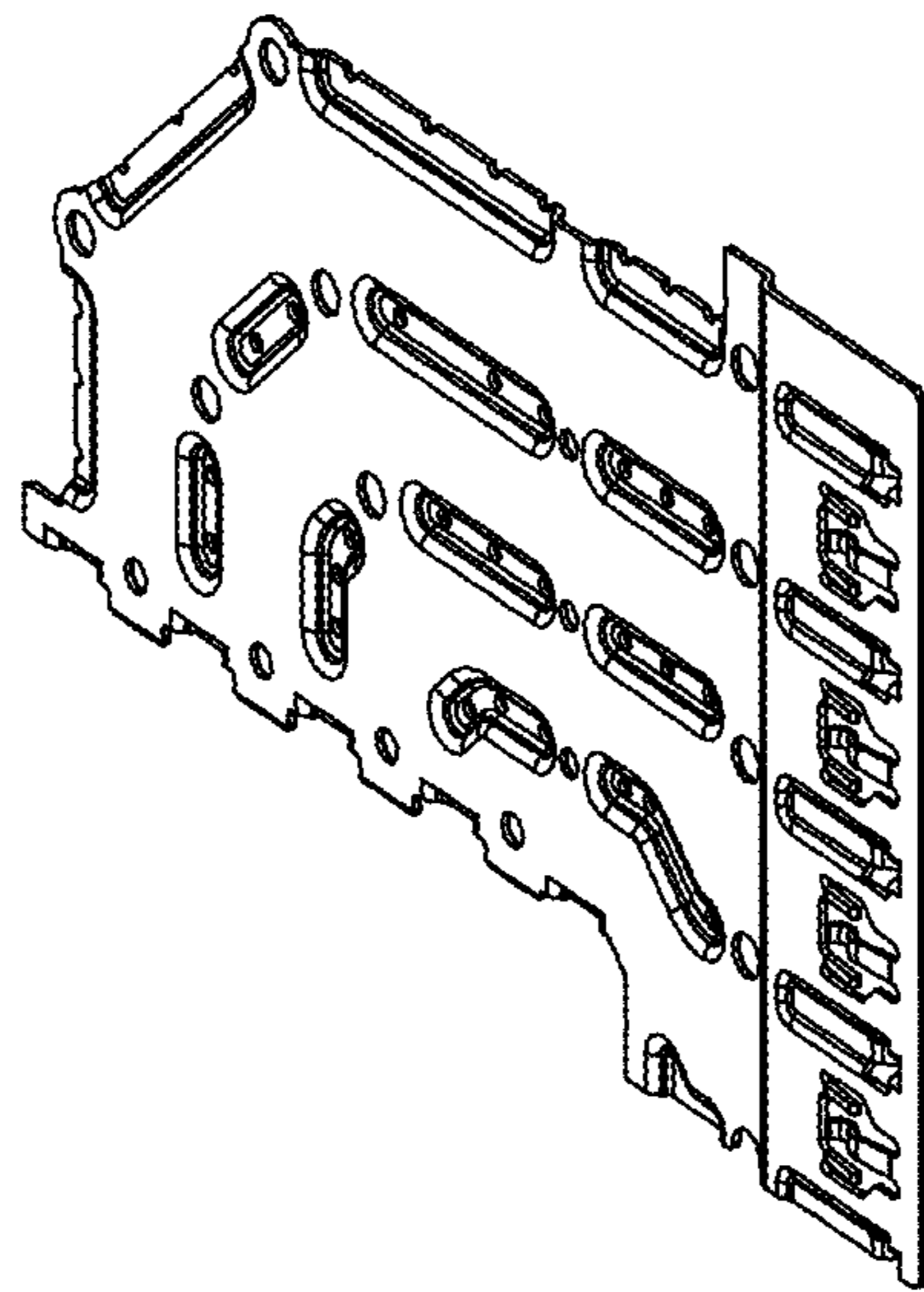


FIG. 1

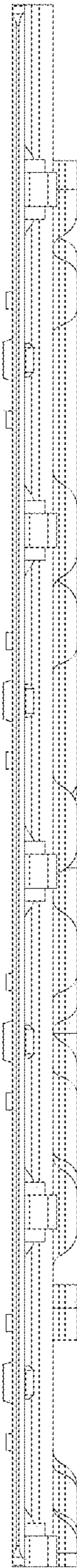


FIG. 2



FIG. 3



FIG. 4



FIG. 5

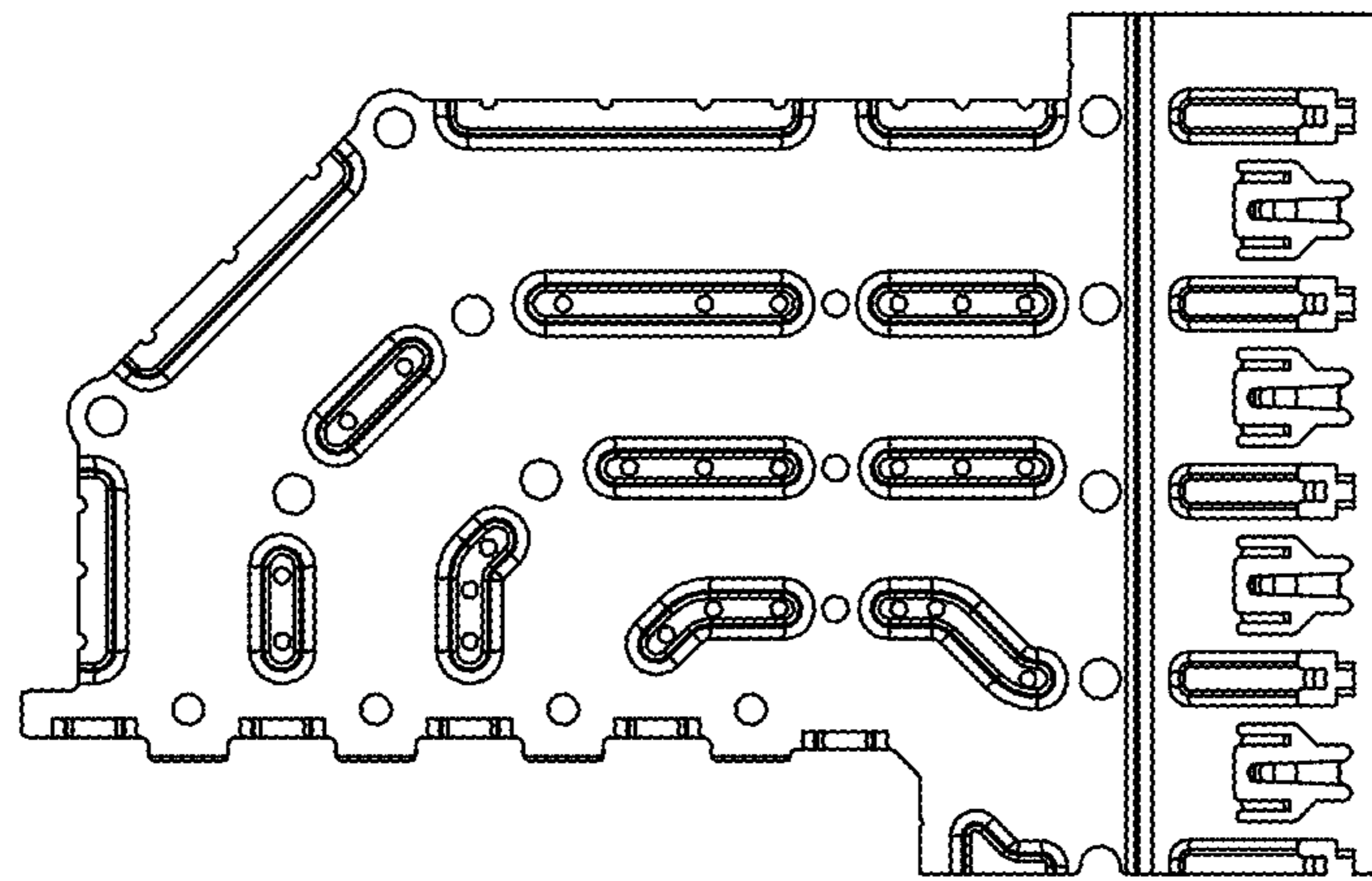


FIG. 6

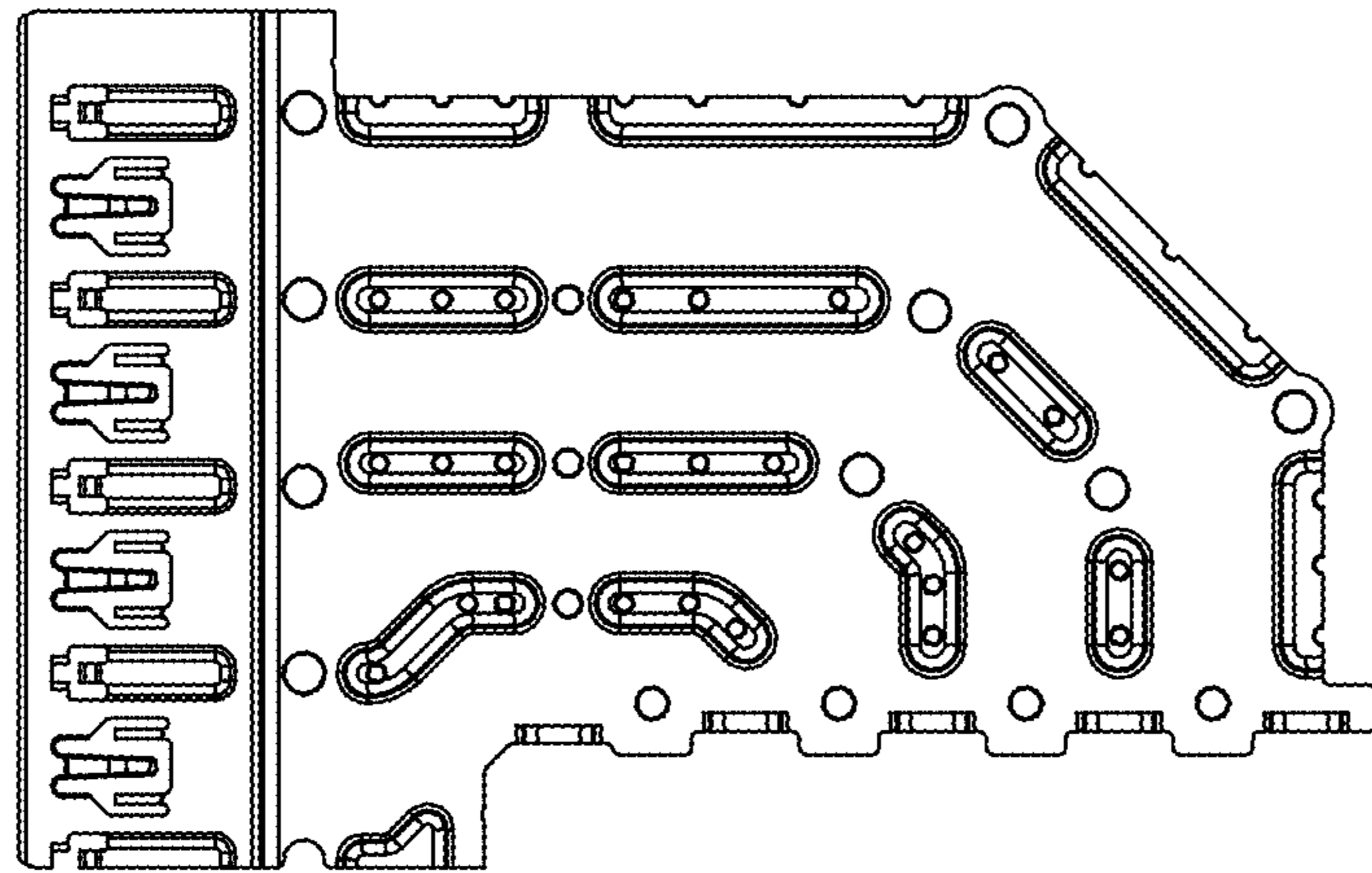


FIG. 7