



US00D950501S

(12) **United States Design Patent**  
**Lambrecht**

(10) **Patent No.:** **US D950,501 S**

(45) **Date of Patent:** **\*\* May 3, 2022**

(54) **CABLE CONNECTOR**

(71) Applicant: **Intuitive Surgical Operations, Inc.**,  
Sunnyvale, CA (US)

(72) Inventor: **Bram Gilbert Antoon Lambrecht**,  
Redwood City, CA (US)

(73) Assignee: **Intuitive Surgical Operations, Inc.**,  
Sunnyvale, CA (US)

(\*\*) Term: **15 Years**

(21) Appl. No.: **29/743,540**

(22) Filed: **Jul. 22, 2020**

**Related U.S. Application Data**

(62) Division of application No. 29/668,601, filed on Oct. 31, 2018, now Pat. No. Des. 904,311, which is a division of application No. 29/635,148, filed on Jan. 29, 2018, now Pat. No. Des. 835,586, which is a division of application No. 29/571,123, filed on Jul. 14, 2016, now Pat. No. Des. 810,690.

(51) **LOC (13) Cl.** ..... **13-03**

(52) **U.S. Cl.**  
USPC ..... **D13/147**

(58) **Field of Classification Search**  
USPC ..... D13/133, 137.1, 137.2, 137.3, 137.4,  
D13/138.1, 138.2, 139.1, 139.2, 139.7,  
D13/139.8, 146, 147, 154, 155, 199  
CPC ..... H01R 12/592; H01R 13/62; H01R 24/00;  
H01R 25/00  
See application file for complete search history.

(56) **References Cited**

**U.S. PATENT DOCUMENTS**

D141,099 S 5/1945 Baumgardner  
D141,100 S 5/1945 Baumgardner  
D141,101 S 5/1945 Baumgardner  
D188,419 S 7/1960 Danesi

3,184,703 A 5/1965 Piscitello et al.  
3,274,531 A \* 9/1966 Bourhenne ..... H01R 4/2404  
439/418  
4,211,461 A 7/1980 Wescott  
D290,458 S 6/1987 O'Leary  
4,762,388 A \* 8/1988 Tanaka ..... G02B 6/389  
385/58  
5,180,316 A 1/1993 Miller et al.  
D342,937 S 1/1994 Angel, Jr. et al.  
D355,163 S \* 2/1995 Dolson ..... D13/146  
D358,131 S 5/1995 Lorentzen  
(Continued)

**OTHER PUBLICATIONS**

“Molex Onnector”. Found online Nov. 16, 2021 at amazon.com. Reference dated Oct. 24, 2014. Retrieved from https://www.amazon.com/33472-1201-CONNECTOR-HOUSING-RECEPTACLE-POSITION/dp/B011NAO25Y. (Year: 2014).\*

(Continued)

*Primary Examiner* — Kendra Leslie Hamilton  
*Assistant Examiner* — Amanda Christensen  
(74) *Attorney, Agent, or Firm* — Jones Robb, PLLC

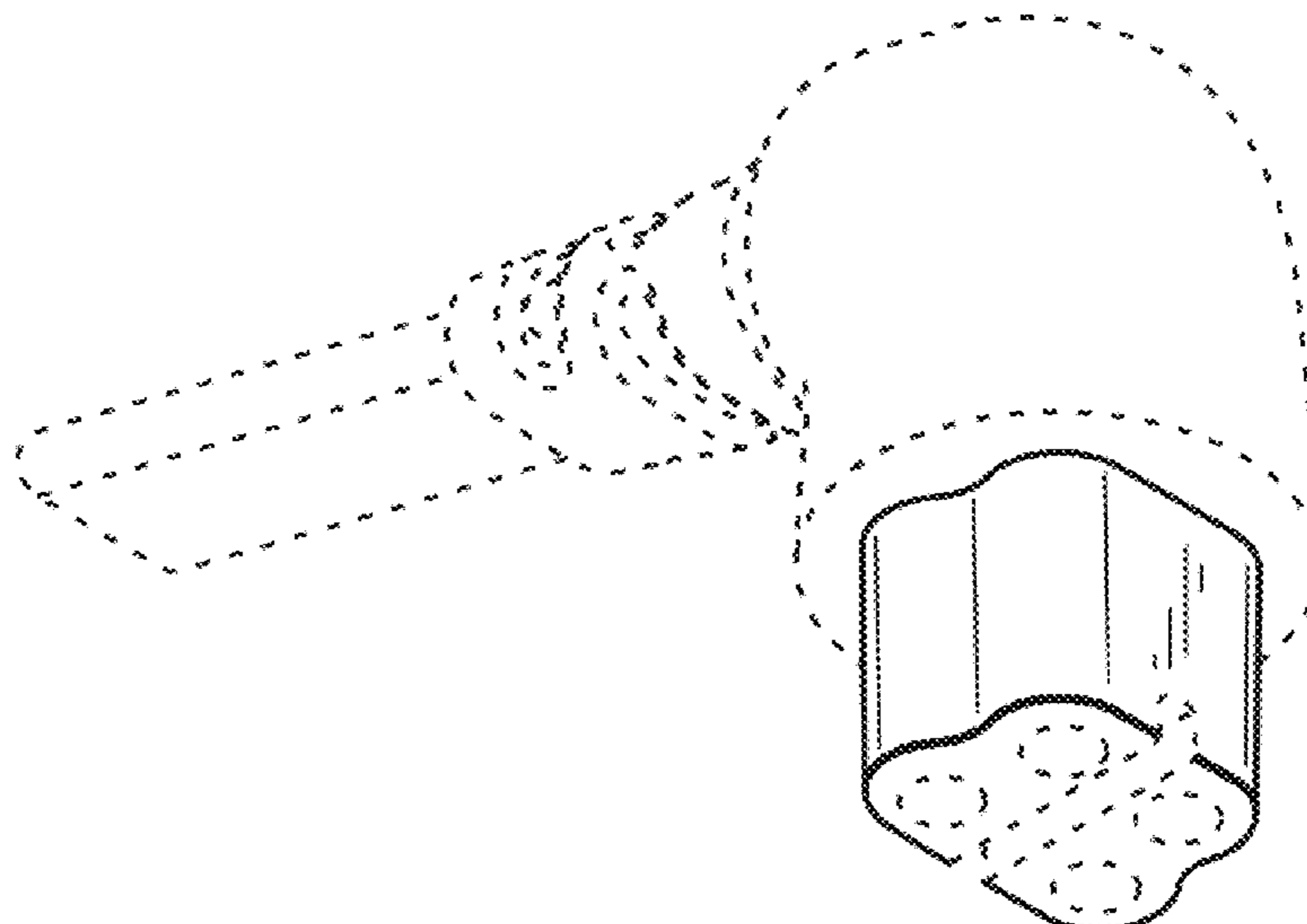
(57) **CLAIM**

The ornamental design for a cable connector, as shown and described.

**DESCRIPTION**

FIG. 1 is a bottom, front, left side perspective view of a cable connector, showing my new design.  
FIG. 2 is a top, front, left side perspective view thereof.  
FIG. 3 is a front view thereof.  
FIG. 4 is a bottom view thereof.  
FIG. 5 is a left side view thereof.  
FIG. 6 is a top view thereof; and,  
FIG. 7 is a right side view thereof.  
The broken lines depict portions of the cable connector that form no part of the claimed design.

**1 Claim, 2 Drawing Sheets**



(56)

References Cited

U.S. PATENT DOCUMENTS

D364,332 S 11/1995 Sachs  
 5,662,500 A \* 9/1997 Yeah ..... H01R 13/44  
 439/181  
 D412,312 S 7/1999 Myers  
 D415,469 S 10/1999 Lee  
 D420,980 S 2/2000 Tennessen  
 D422,558 S \* 4/2000 Reiss ..... D13/133  
 D428,853 S 8/2000 Burwell et al.  
 D453,921 S 2/2002 Bussett et al.  
 D472,523 S 4/2003 Hansen  
 D475,014 S 5/2003 Kano  
 D491,526 S 6/2004 D'Addario et al.  
 D492,652 S 7/2004 McCoy  
 D533,501 S 12/2006 Wakefield et al.  
 D543,148 S 5/2007 Suckle et al.  
 D560,610 S 1/2008 McCoy  
 D563,883 S 3/2008 Dever  
 D563,884 S 3/2008 Dever  
 D587,205 S 2/2009 Wu et al.  
 D617,272 S 6/2010 The  
 D628,158 S \* 11/2010 Skidmore ..... D13/146  
 D639,743 S 6/2011 Smith et al.  
 D639,744 S 6/2011 Smith et al.  
 8,052,470 B1 11/2011 Lin  
 8,083,548 B1 12/2011 Lin  
 8,162,684 B1 4/2012 Sochor  
 D658,586 S 5/2012 Lin  
 D668,225 S 10/2012 Lyford et al.  
 D668,226 S 10/2012 Lyford et al.  
 D672,718 S 12/2012 Lyford et al.  
 D672,719 S 12/2012 Lyford et al.  
 D672,720 S 12/2012 Lyford et al.  
 D672,722 S 12/2012 Kreitzer et al.  
 D672,723 S 12/2012 Kreitzer et al.  
 D673,119 S 12/2012 Lyford et al.  
 D673,120 S 12/2012 Lyford et al.  
 D673,121 S 12/2012 Lyford et al.  
 D676,388 S \* 2/2013 Muller ..... D13/147  
 D682,787 S 5/2013 Lyford et al.  
 D690,266 S 9/2013 Dachs, II  
 D691,090 S 10/2013 Dachs  
 D691,091 S 10/2013 Dachs, II  
 D691,092 S 10/2013 Dachs  
 D697,030 S 1/2014 Ledinger et al.  
 D702,642 S 4/2014 Dachs, II  
 D703,140 S 4/2014 Dachs, II  
 D703,612 S 4/2014 Dachs, II  
 D707,181 S 6/2014 Schmidt et al.  
 D715,739 S \* 10/2014 Chen ..... D13/139.1  
 D746,777 S 1/2016 Laven et al.  
 D784,929 S 4/2017 Makimura et al.  
 D787,446 S \* 5/2017 Cockerill ..... D13/147

D810,028 S 2/2018 Lambrecht  
 D810,690 S 2/2018 Lambrecht  
 D810,691 S 2/2018 Lambrecht  
 D810,692 S 2/2018 Lambrecht  
 D811,343 S 2/2018 Lau et al.  
 D834,525 S 11/2018 Lambrecht et al.  
 D835,586 S 12/2018 Lambrecht  
 D858,453 S 9/2019 Lang et al.  
 D866,473 S 11/2019 Ramakrishna Gowda et al.  
 D880,427 S \* 4/2020 Milroy ..... D13/147  
 D904,311 S \* 12/2020 Lambrecht ..... D13/147  
 D906,249 S \* 12/2020 Hasan ..... D13/137.1  
 D915,290 S \* 4/2021 Ghasabi ..... D13/146  
 2004/0152354 A1 8/2004 Luther et al.  
 2010/0291804 A1 11/2010 Zhang et al.  
 2016/0294135 A1 10/2016 Susini et al.  
 2019/0229477 A1 7/2019 Gassner

OTHER PUBLICATIONS

“Marinco Connector”. Found online Nov. 16, 2021 at amazon.com. Reference dated Dec. 16, 2010. Retrieved from <https://www.amazon.com/Marinco-320IEC15-Volt-Pole-Connector/dp/B0002BSSDI>. (Year: 2010).\*

“C2G Power Cord”. Found online Nov. 17, 2021 atamazon.com. Reference dated Apr. 13, 2006. Retrieved from [https://www.amazon.com/C2G-Cables-Go-27909-Universal/dp/B000ERCNVI/ref=psdc\\_3236443011\\_t1\\_B0000680A7?th=1](https://www.amazon.com/C2G-Cables-Go-27909-Universal/dp/B000ERCNVI/ref=psdc_3236443011_t1_B0000680A7?th=1). (Year: 2006).\*

C2G, Kettle Lead, dated Oct. 1, 2007, Retrieved from [https://www.amazon.co.uk/C2G-Metre-Power-IEC320C13-Kettle-Black/dp/B002DWA812/ref=psdc\\_407733031\\_t4\\_B07QF92PH2](https://www.amazon.co.uk/C2G-Metre-Power-IEC320C13-Kettle-Black/dp/B002DWA812/ref=psdc_407733031_t4_B07QF92PH2), Found online May 13, 2020 at amazon.co.uk, 2 pages.

Clones UK, UK to C5 3 Pin Laptop Power Lead, dated Oct. 18, 2007, Retrieved from [https://www.amazon.co.uk/UK-plug-Laptop-power-lead/dp/B000XG4YB2/ref=pd\\_sbs\\_421\\_5/261-4346127-3452837](https://www.amazon.co.uk/UK-plug-Laptop-power-lead/dp/B000XG4YB2/ref=pd_sbs_421_5/261-4346127-3452837), Found online May 13, 2020 at amazon.co.uk, 2 pages.

Co-pending U.S. Appl. No. 61/721,870, filed Nov. 2, 2012.

Eurosonic, Power Cord 2 PIN, dated May 4, 2007. Retrieved from [https://www.amazon.co.uk/POWER-CORD-PIN-FIG8-1-5M/dp/B00008HF04/ref=pd\\_sim\\_147\\_5/261-4346127-3452837](https://www.amazon.co.uk/POWER-CORD-PIN-FIG8-1-5M/dp/B00008HF04/ref=pd_sim_147_5/261-4346127-3452837), Found online May 13, 2020 at amazon.co.uk, 2 pages.

Startech, CPU Power Cable, dated Oct. 8, 2008, Retrieved from [https://www.amazon.co.uk/StarTech-com-ATX12V-Power-Extension-Cable-Black/dp/B000O7WFHA/ref=sr\\_1\\_9?dchild=1&keywords=four+pin+cable+connector&qid=1589294196&sr=8-9](https://www.amazon.co.uk/StarTech-com-ATX12V-Power-Extension-Cable-Black/dp/B000O7WFHA/ref=sr_1_9?dchild=1&keywords=four+pin+cable+connector&qid=1589294196&sr=8-9), Found online May 13, 2020 at amazon.co.uk, 2 pages.

Vertut, Jean and Phillipe Coiffet, Robot Technology: Teleoperation and Robotics Evolution and Development, English translation, Prentice-Hall, Inc., Inglewood Cliffs, NJ, USA 1986, vol. 3A, 332 pages.

\* cited by examiner

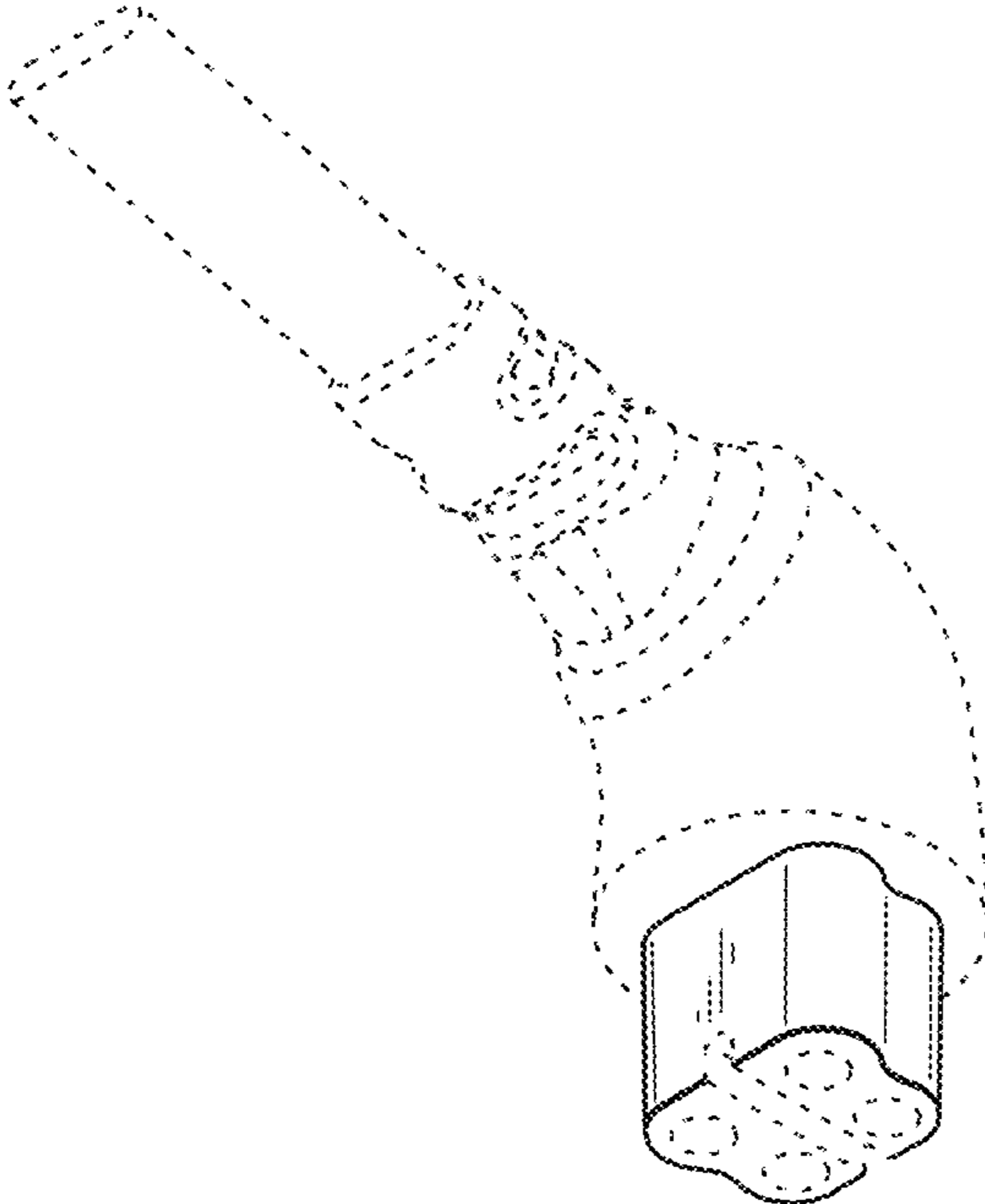


FIG. 1

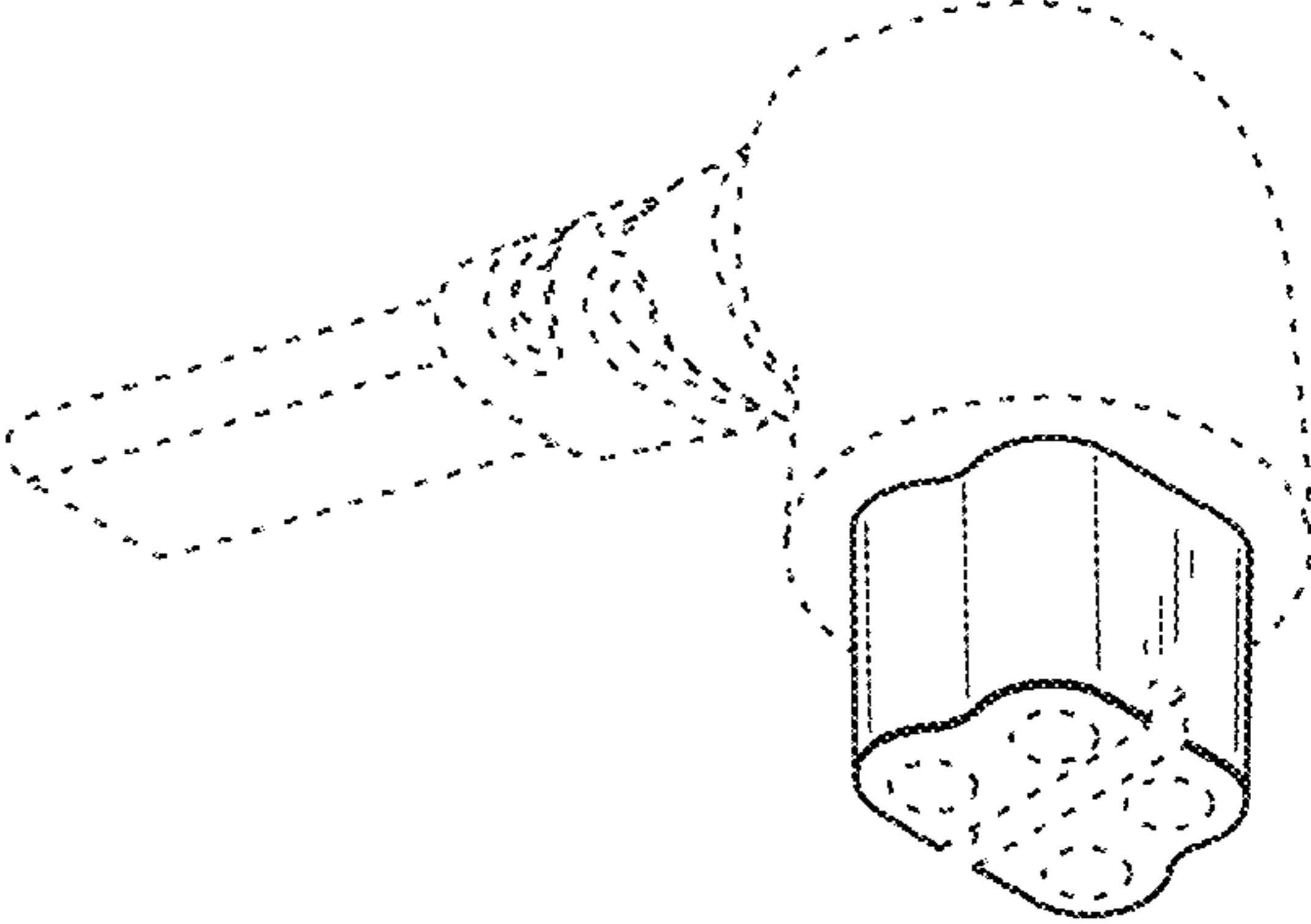


FIG. 2

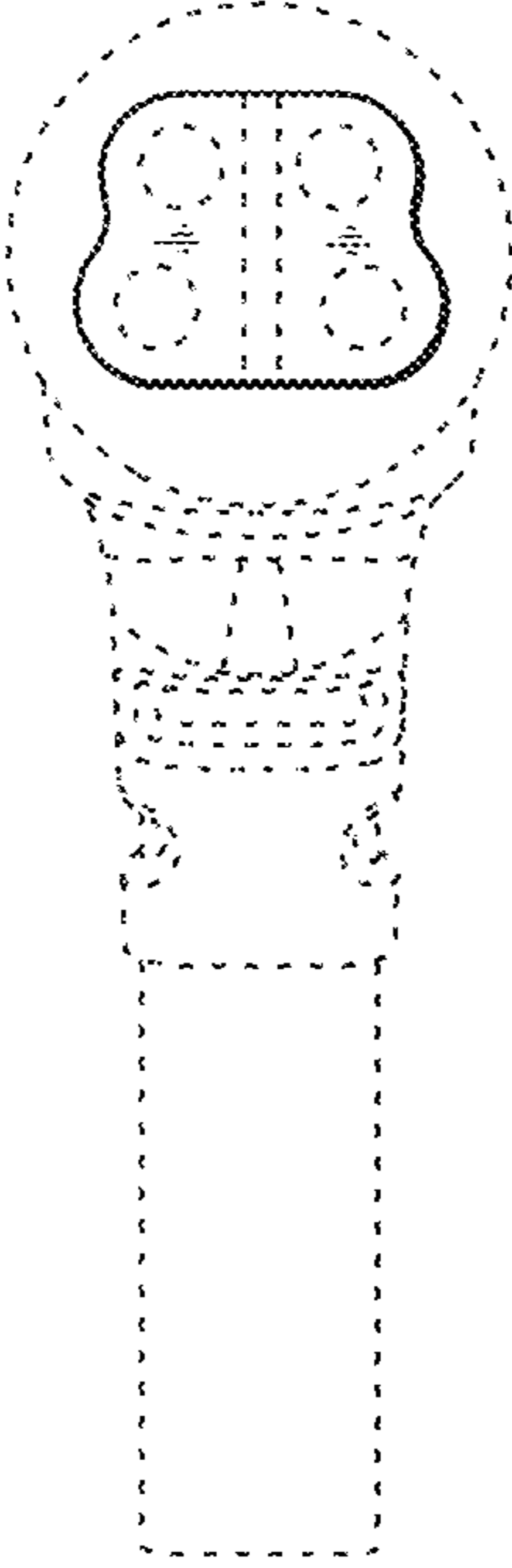


FIG. 3



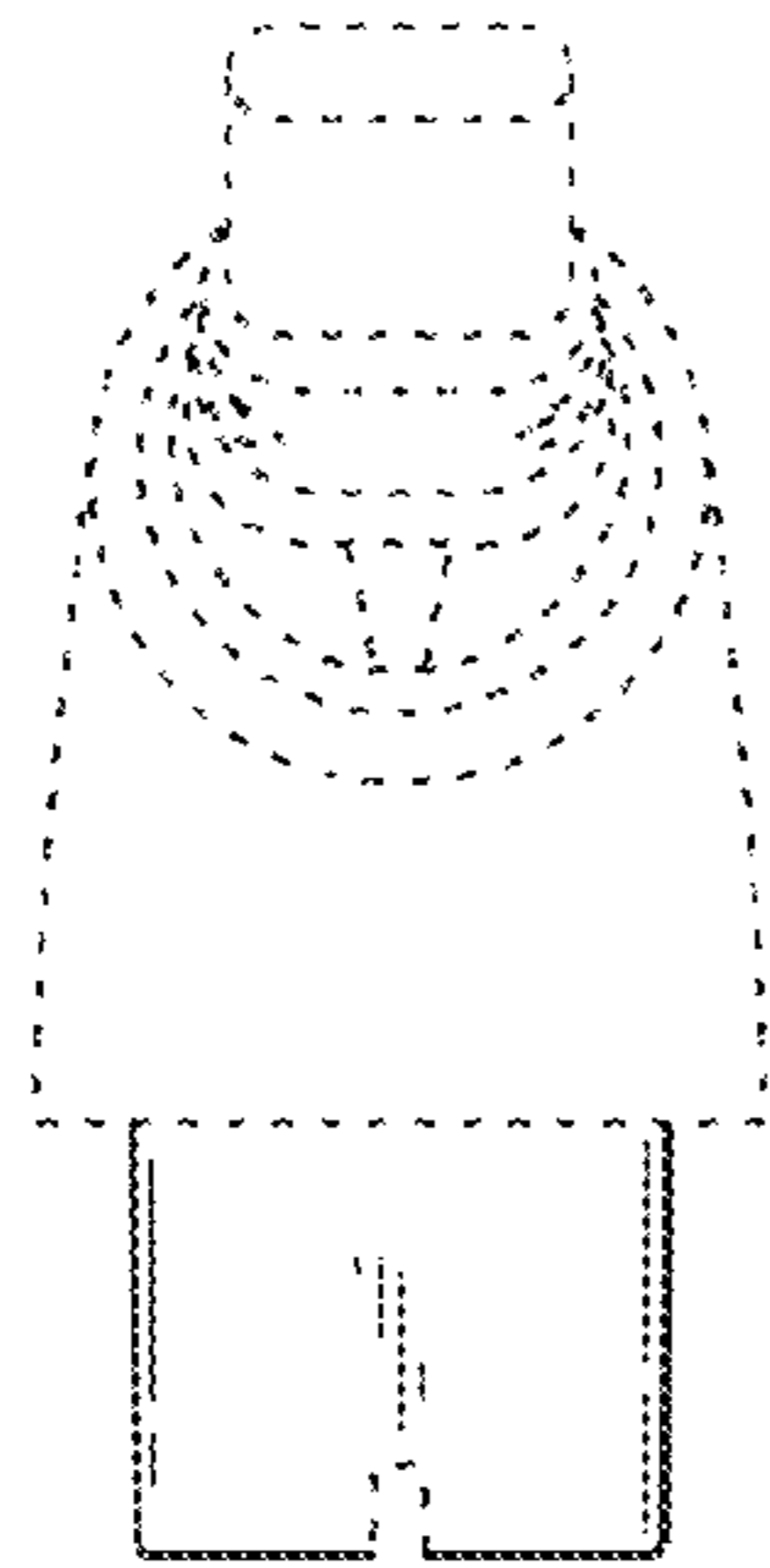


FIG. 4

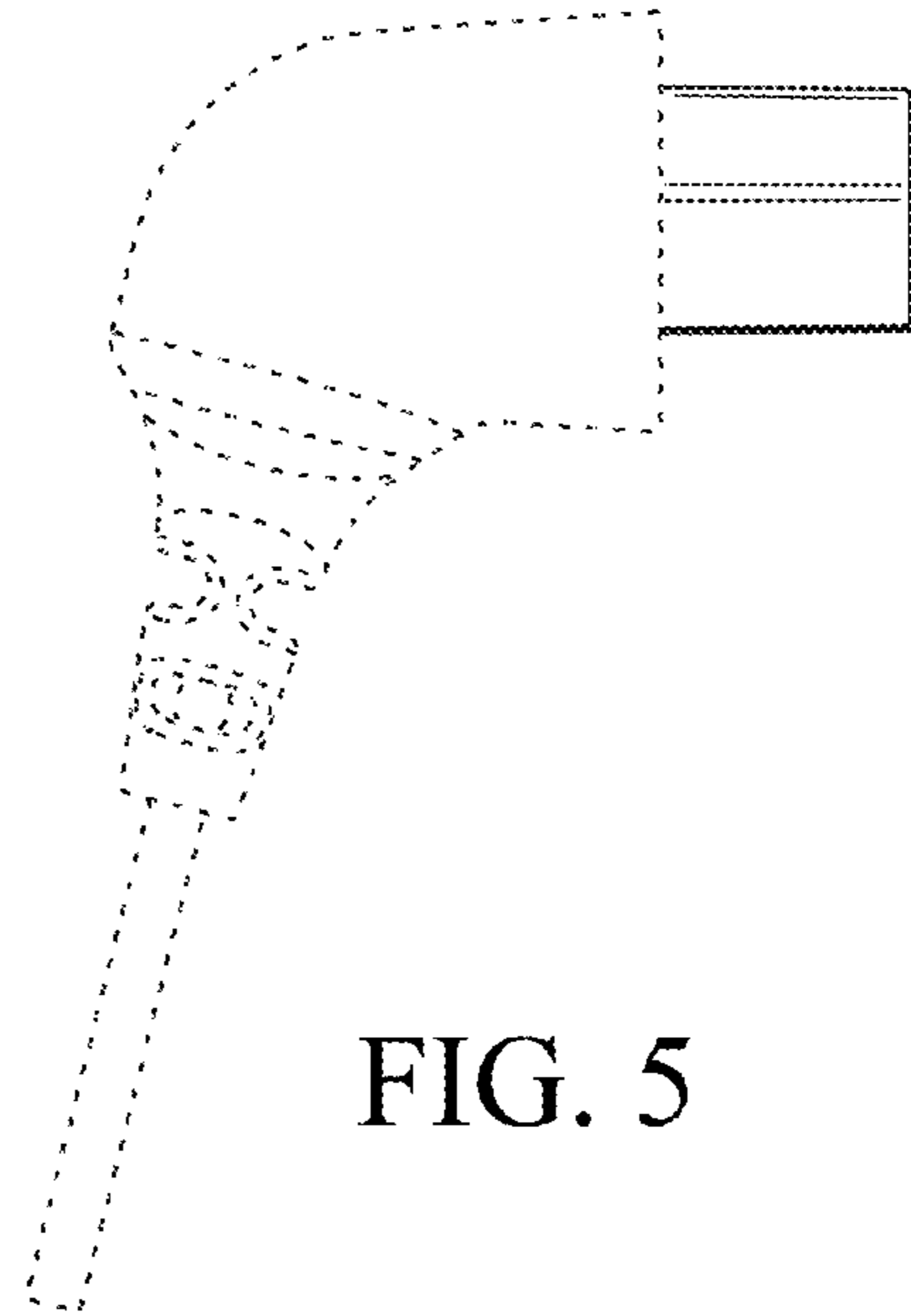


FIG. 5

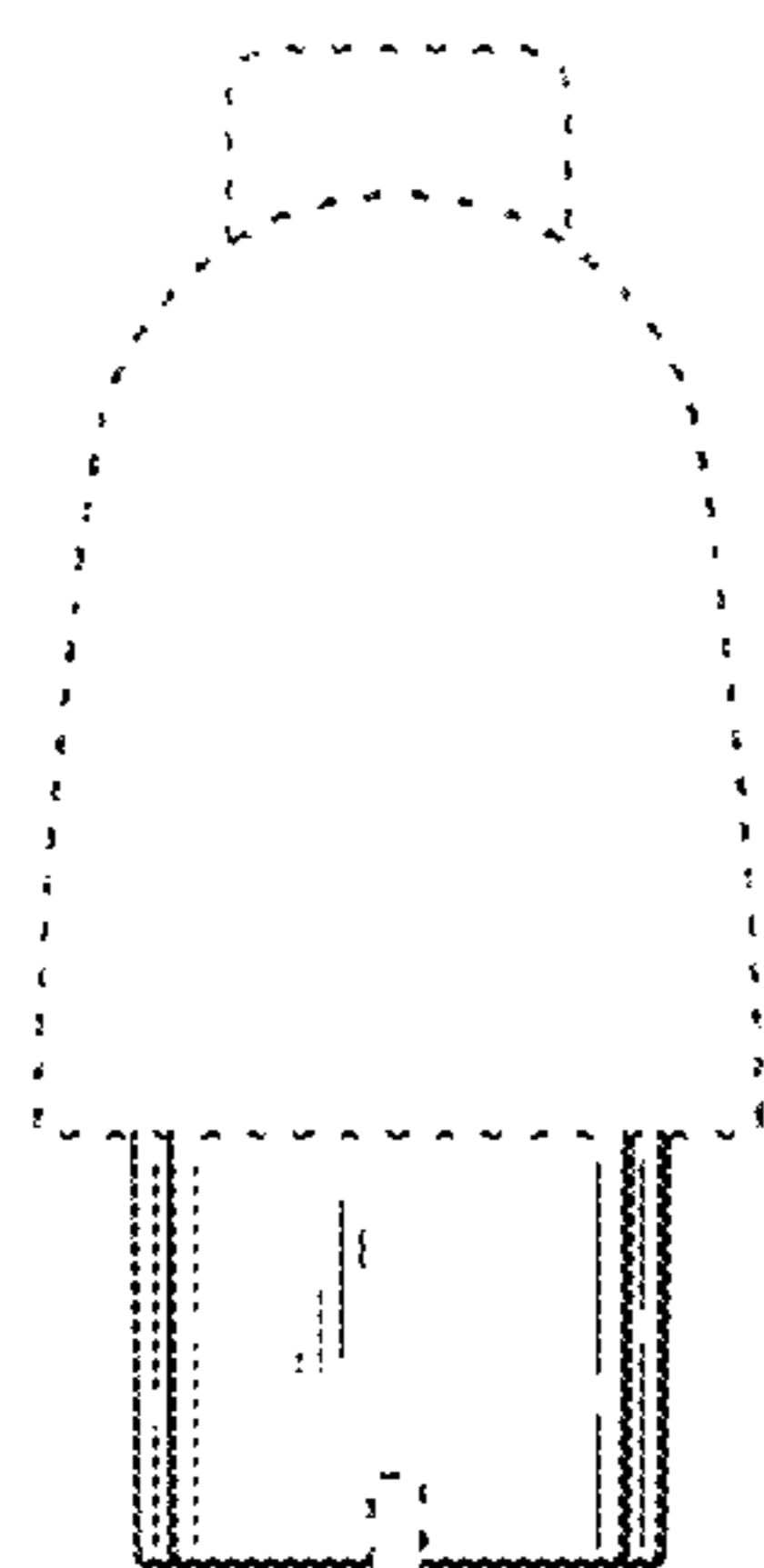


FIG. 6

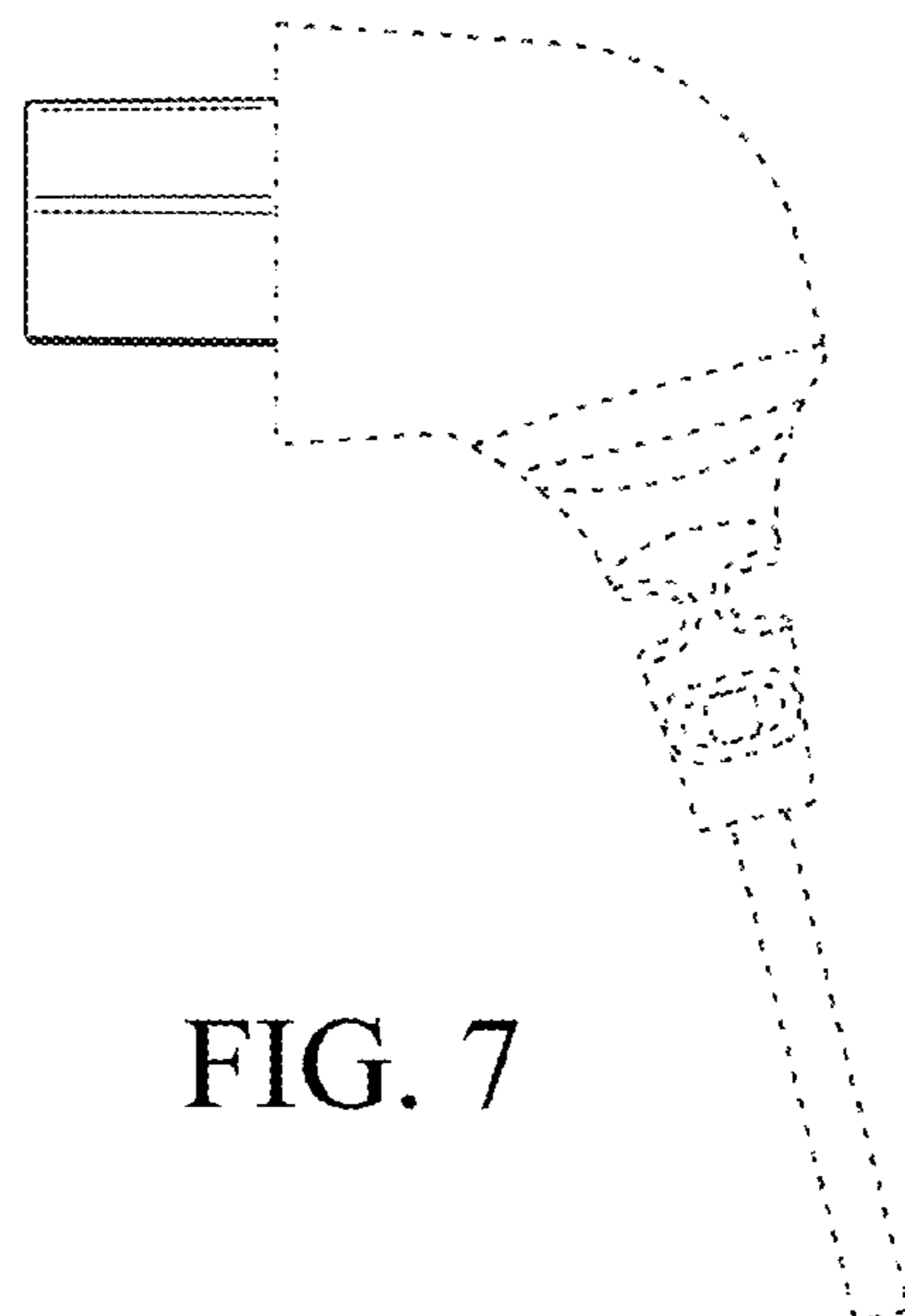


FIG. 7