



US00D950497S

(12) **United States Design Patent**
Liang

(10) **Patent No.:** **US D950,497 S**

(45) **Date of Patent:** **** May 3, 2022**

(54) **MULTIPLE SURFACE ELECTRICAL RECEPTACLE**

(71) Applicant: **Ningbo Diya Electric Appliance, CO., LTD**, Yuyao (CN)

(72) Inventor: **Yukuan Liang**, Yuyao (CN)

(**) Term: **15 Years**

(21) Appl. No.: **29/732,536**

(22) Filed: **Apr. 24, 2020**

(51) **LOC (13) Cl.** **13-03**

(52) **U.S. Cl.**
USPC **D13/137.3**

(58) **Field of Classification Search**

USPC D13/137.1, 137.2, 137.3, 137.4, 138.1, D13/138.2, 139.1, 139.2, 139.7, 139.8, D13/184, 103, 107, 199, 108, 110, 119, D13/123, 133, 139.3, 139.5, 139.6, 152, D13/145, 153, 154, 156, 158, 160, 162, D13/177; D14/433, 434
CPC H01R 13/00; H01R 13/04; H01R 13/10; H01R 13/665; H01R 13/6666; H01R 13/6676; H01R 13/7135; H01R 25/00; H01R 25/006; H01R 9/00; H01R 11/00; H02H 3/33; H02H 3/162; H01H 2207/00; H01H 2207/022; H01H 2203/00; H05K 5/00; H05K 5/03

See application file for complete search history.

(56) **References Cited**

U.S. PATENT DOCUMENTS

D540,257 S	*	4/2007	Ivanova	D13/137.2
D639,742 S	*	6/2011	Doucet	D13/139.8
D834,520 S	*	11/2018	Eshelman	D13/139.7
D851,598 S	*	6/2019	Liang	D13/139.7
D866,472 S	*	11/2019	Eshelman	D13/139.7
D879,721 S	*	3/2020	Eshelman	D13/139.7
D881,820 S	*	4/2020	Li	D13/139.8
D894,839 S	*	9/2020	Chen	D13/139.7

FOREIGN PATENT DOCUMENTS

GB	4011916	*	9/2009
GB	6089591	*	5/2020

OTHER PUBLICATIONS

“Anker Power Strip with USB, 5 ft Extension Cord, PowerPort Cube USB with 3 Outlets and 3 USB Ports, Portable Design, Overload Protection for iPhone XS/XR, Compact for Travel, Cruise Ship, and Office”, first available May 14, 2018. Amazon.com [https://www.amazon.com/Anker-PowerPort-Overload-Protection-Ultra-Compact/dp/B07D25RSWX] (Year: 2018).*
“1970”, first accessed Oct. 27, 2021. NBDEER.com [http://www.nbdeer.com/en/proshow.asp?id=520] (Year: 2021).*

* cited by examiner

Primary Examiner — Rosemary K Tarcaza
Assistant Examiner — Seth David Kumpf
(74) *Attorney, Agent, or Firm* — Terry J. Booth

(57) **CLAIM**

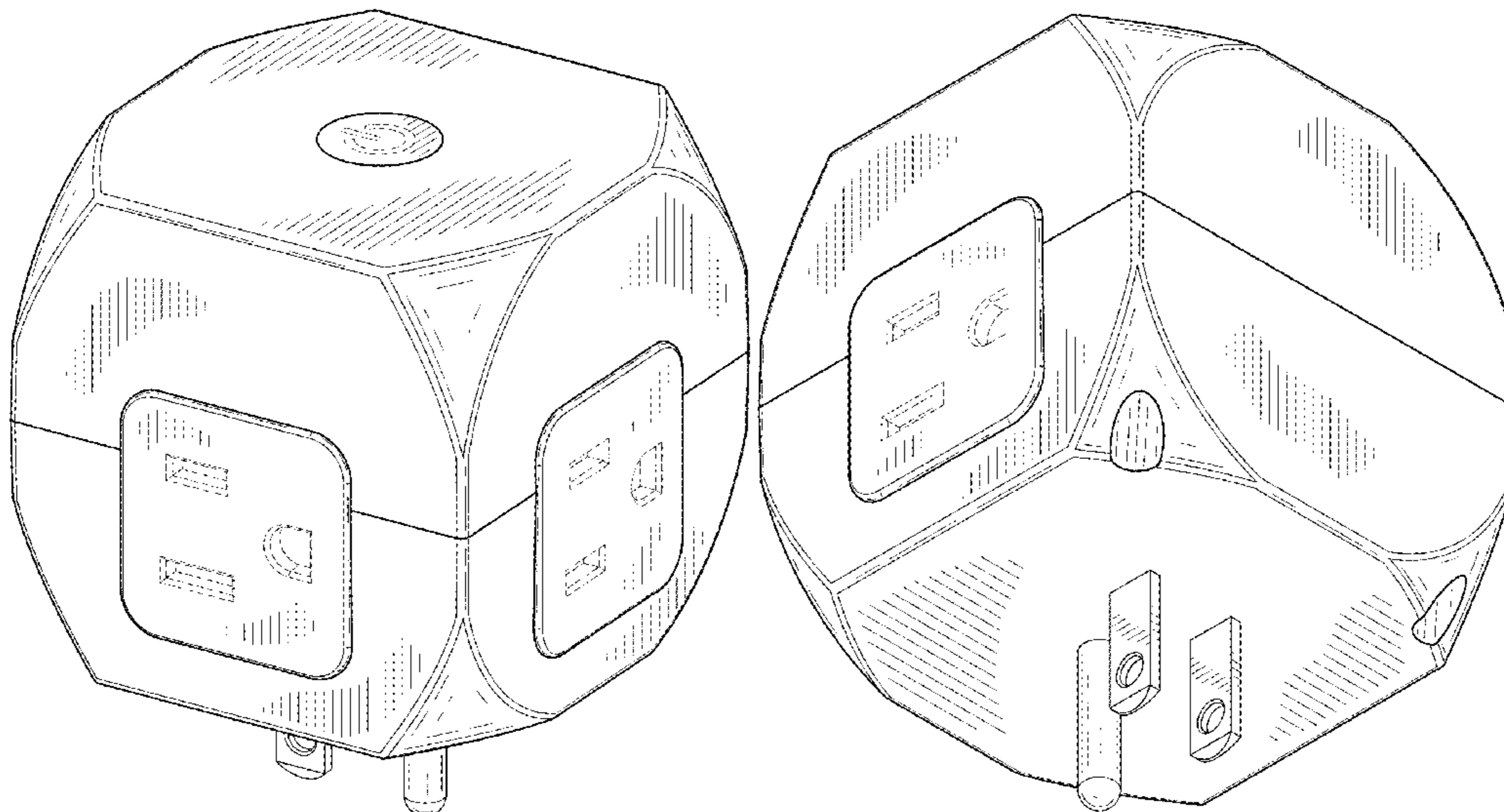
I claim the ornamental design for a multiple surface electrical receptacle, as shown and described.

DESCRIPTION

FIG. 1 is a top-left-front perspective view of a multiple surface electrical receptacle showing my new design; FIG. 2 is a bottom-right-rear perspective view thereof; FIG. 3 is a top plan view thereof; FIG. 4 is a bottom plan view thereof; FIG. 5 is a left side elevational view thereof; FIG. 6 is a right side elevational view thereof; FIG. 7 is a front elevational view thereof; and, FIG. 8 is a rear elevational view thereof.

The broken lines shown in the drawings are for the purpose of illustrating portions of the multiple surface electrical receptacle that form no part of the claimed design.

1 Claim, 5 Drawing Sheets



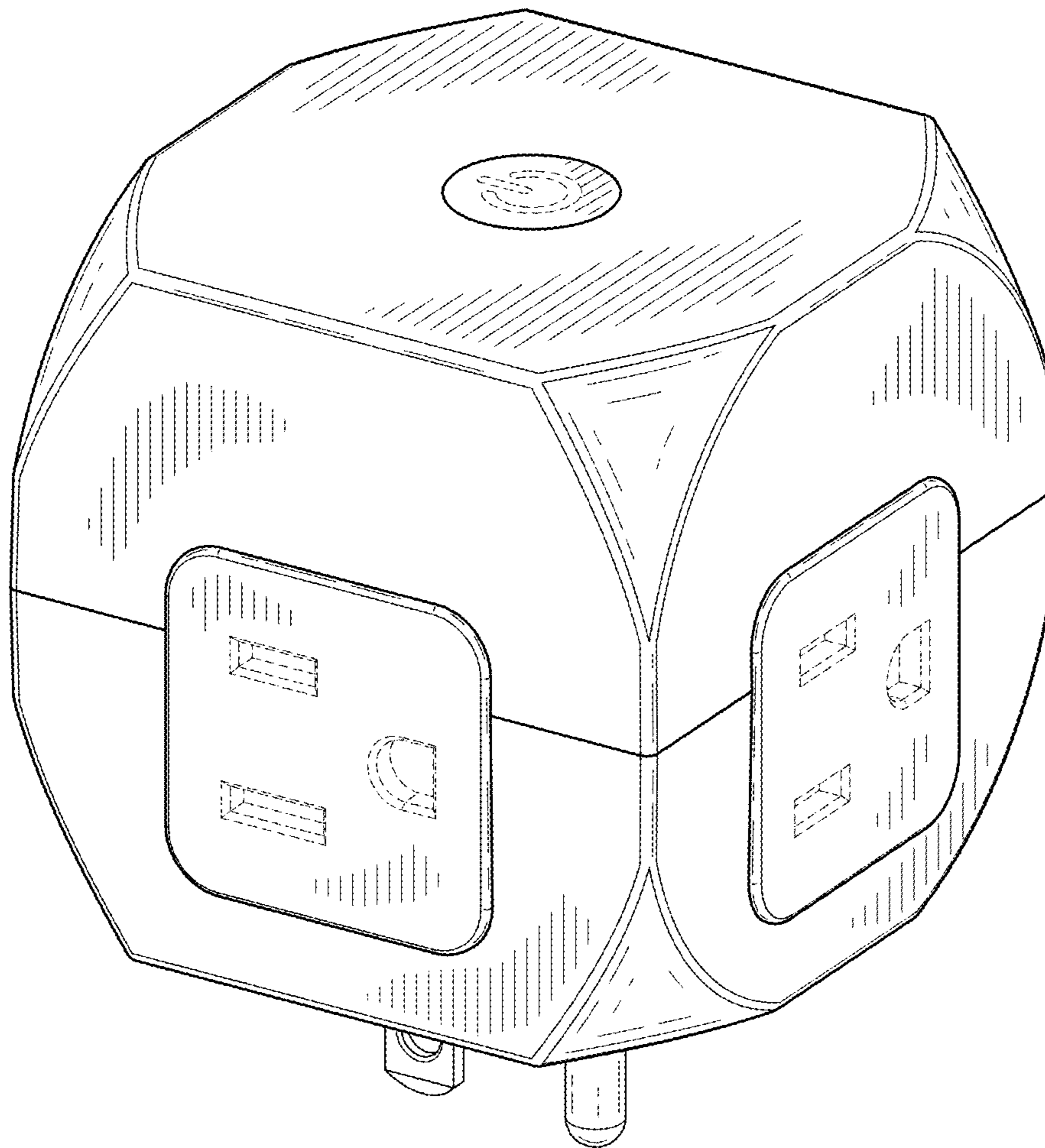


FIG. 1

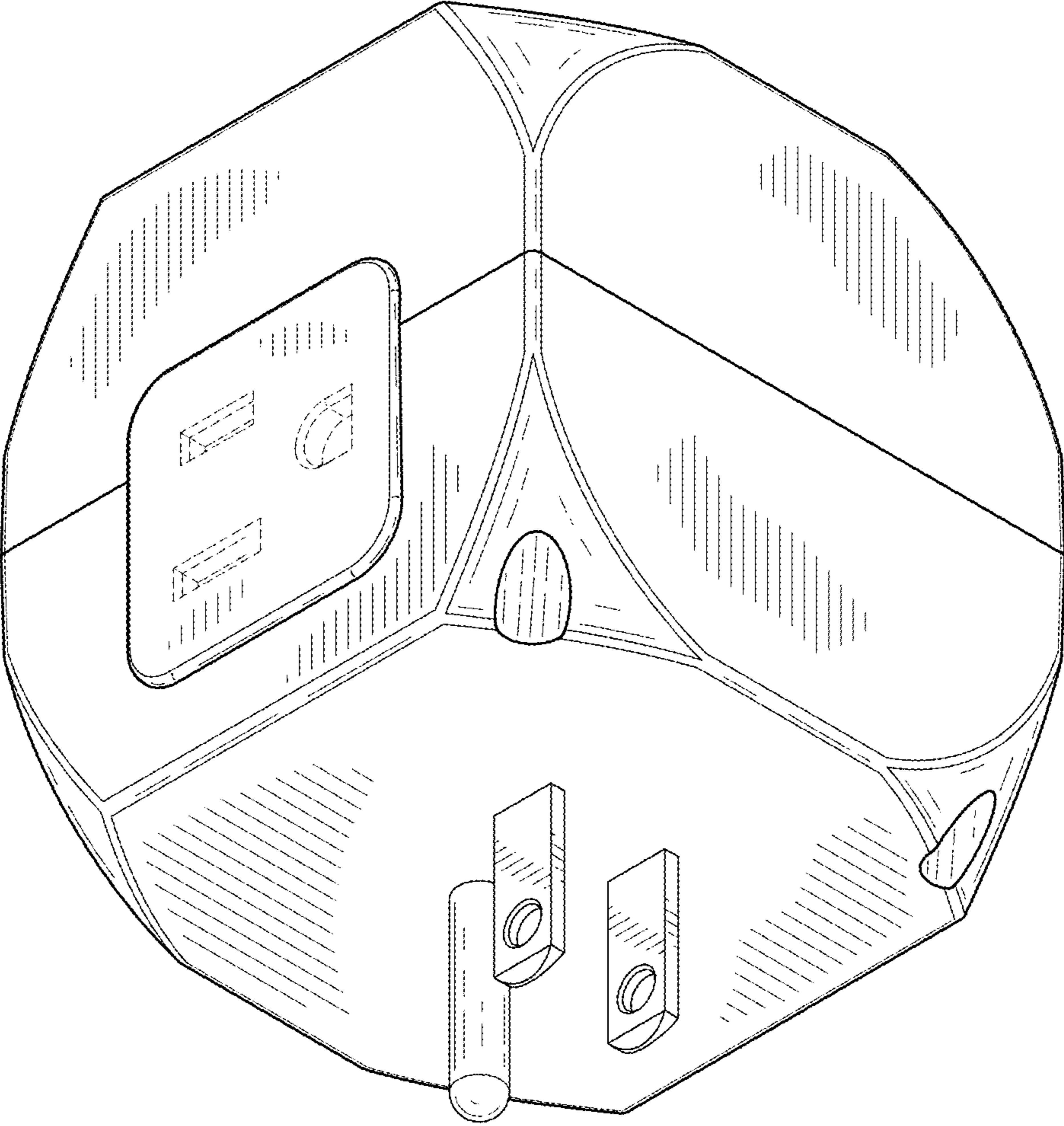


FIG. 2



FIG. 3

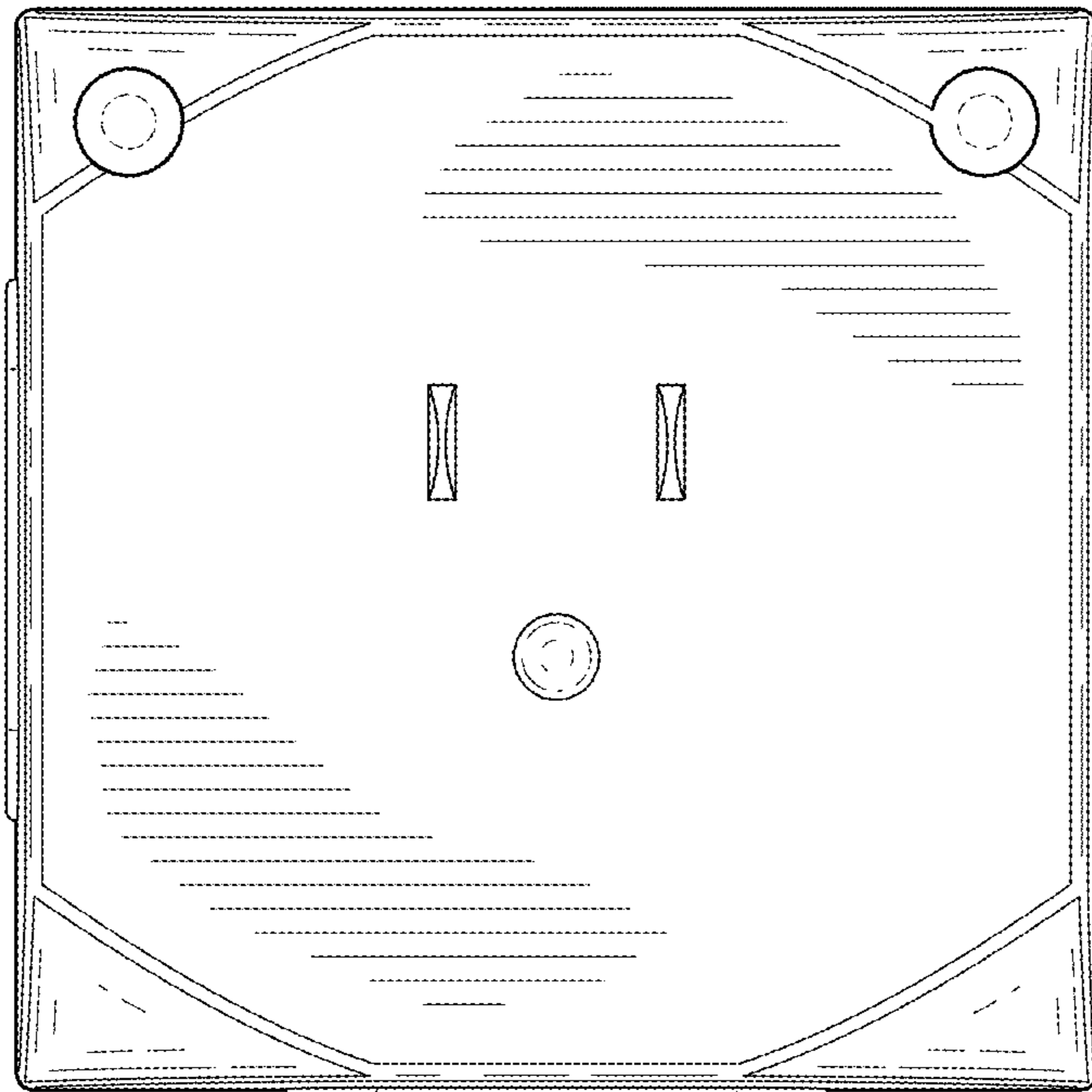


FIG. 4

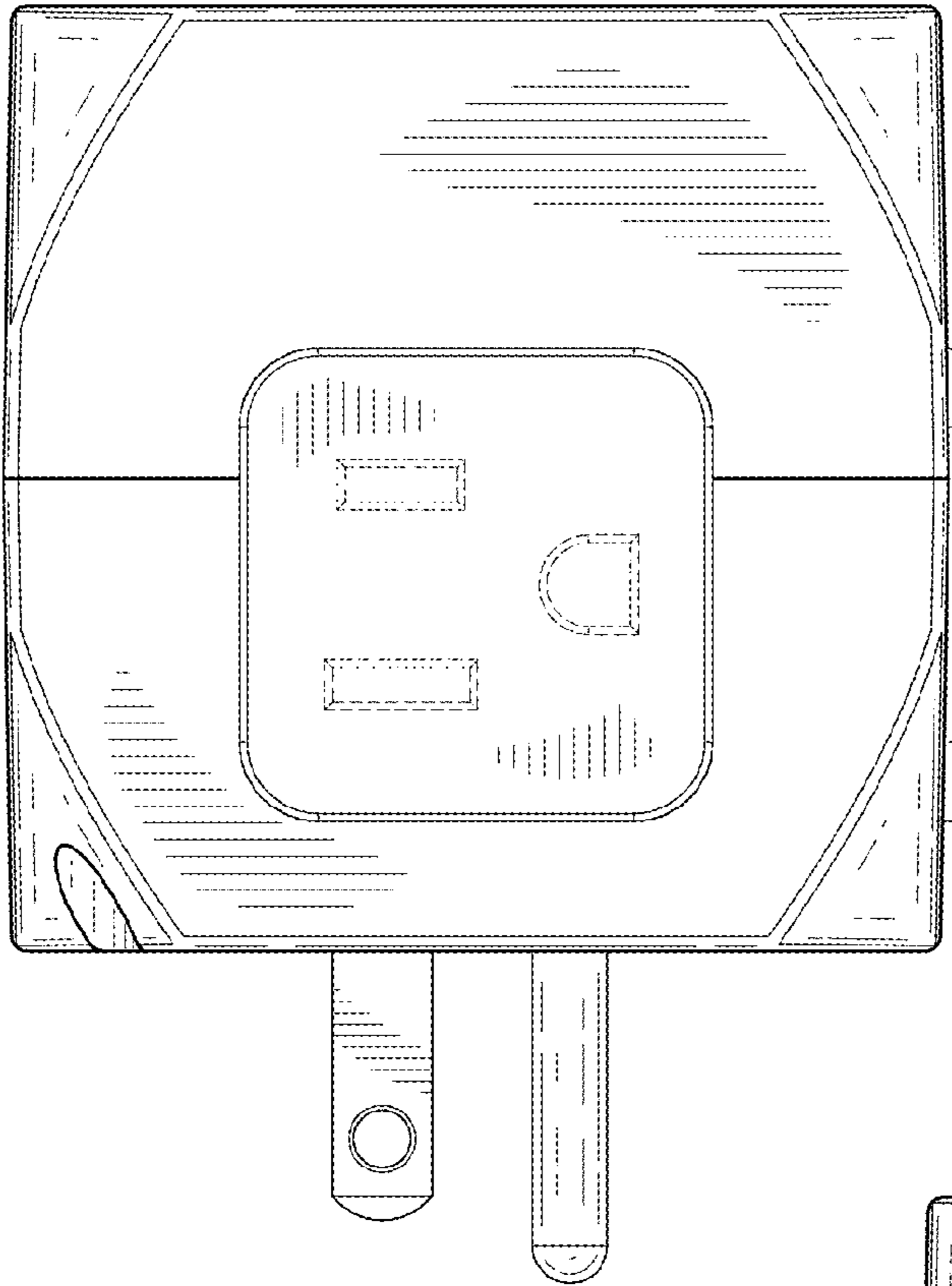


FIG. 5

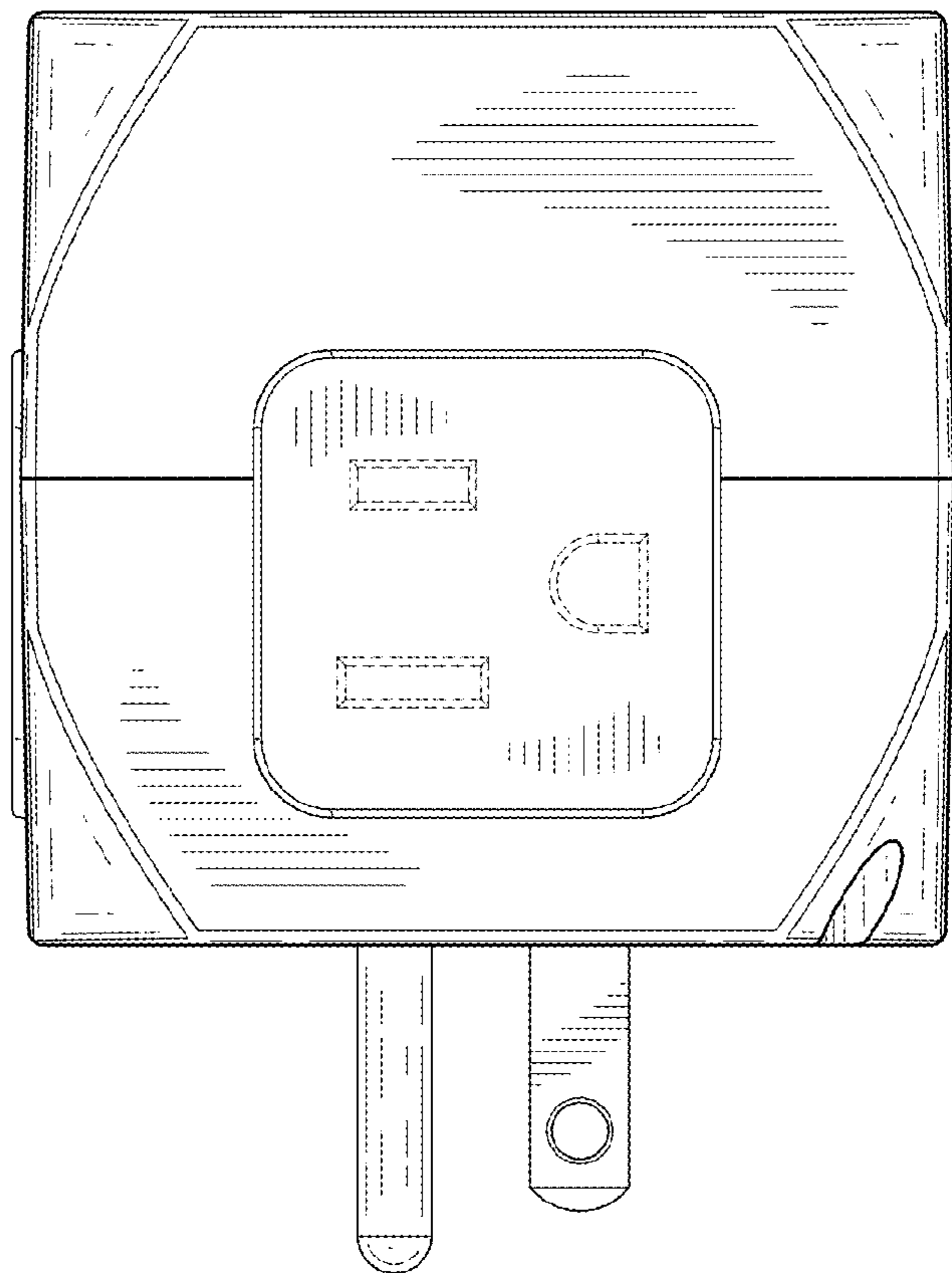


FIG. 6

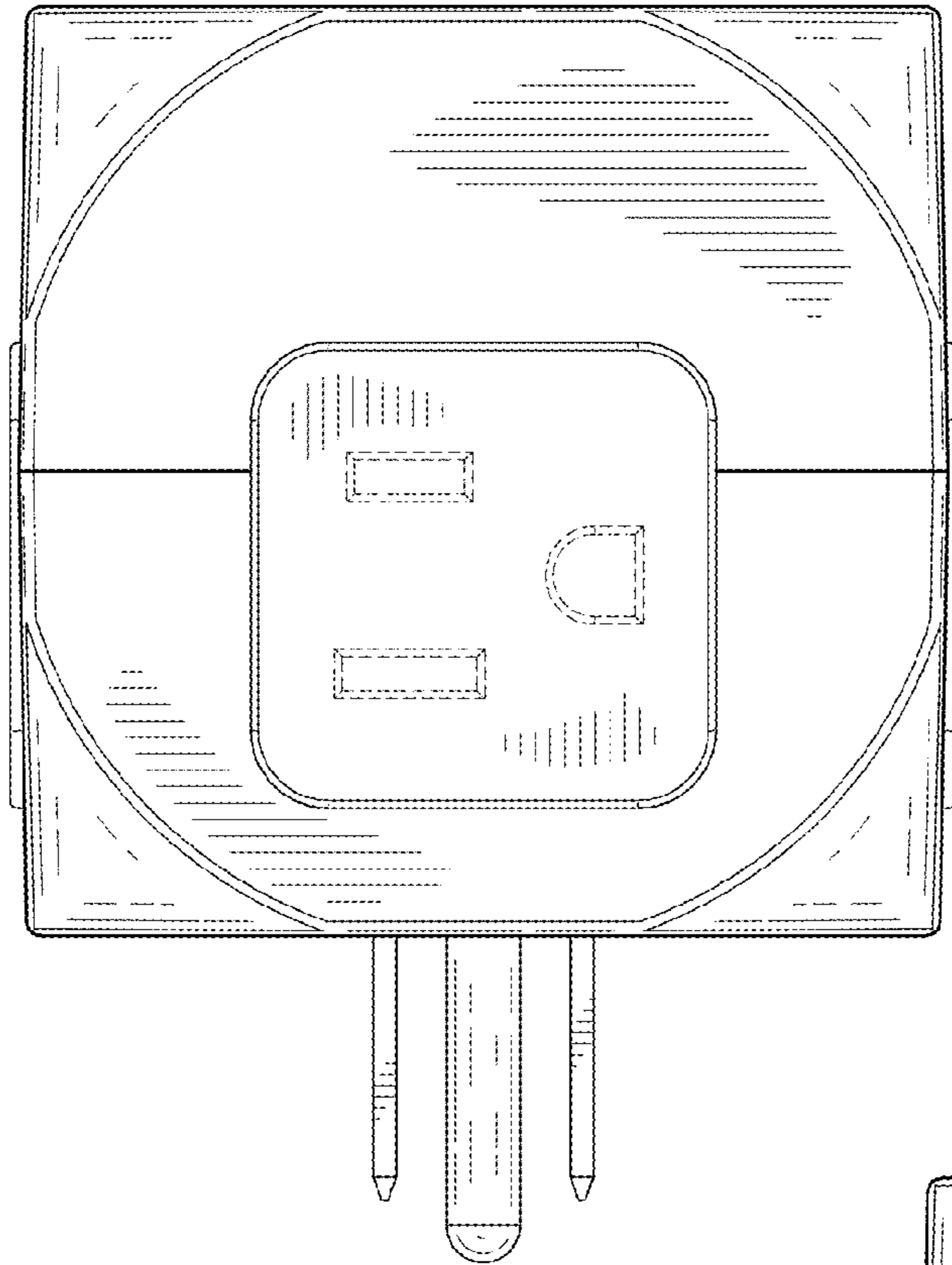


FIG. 7

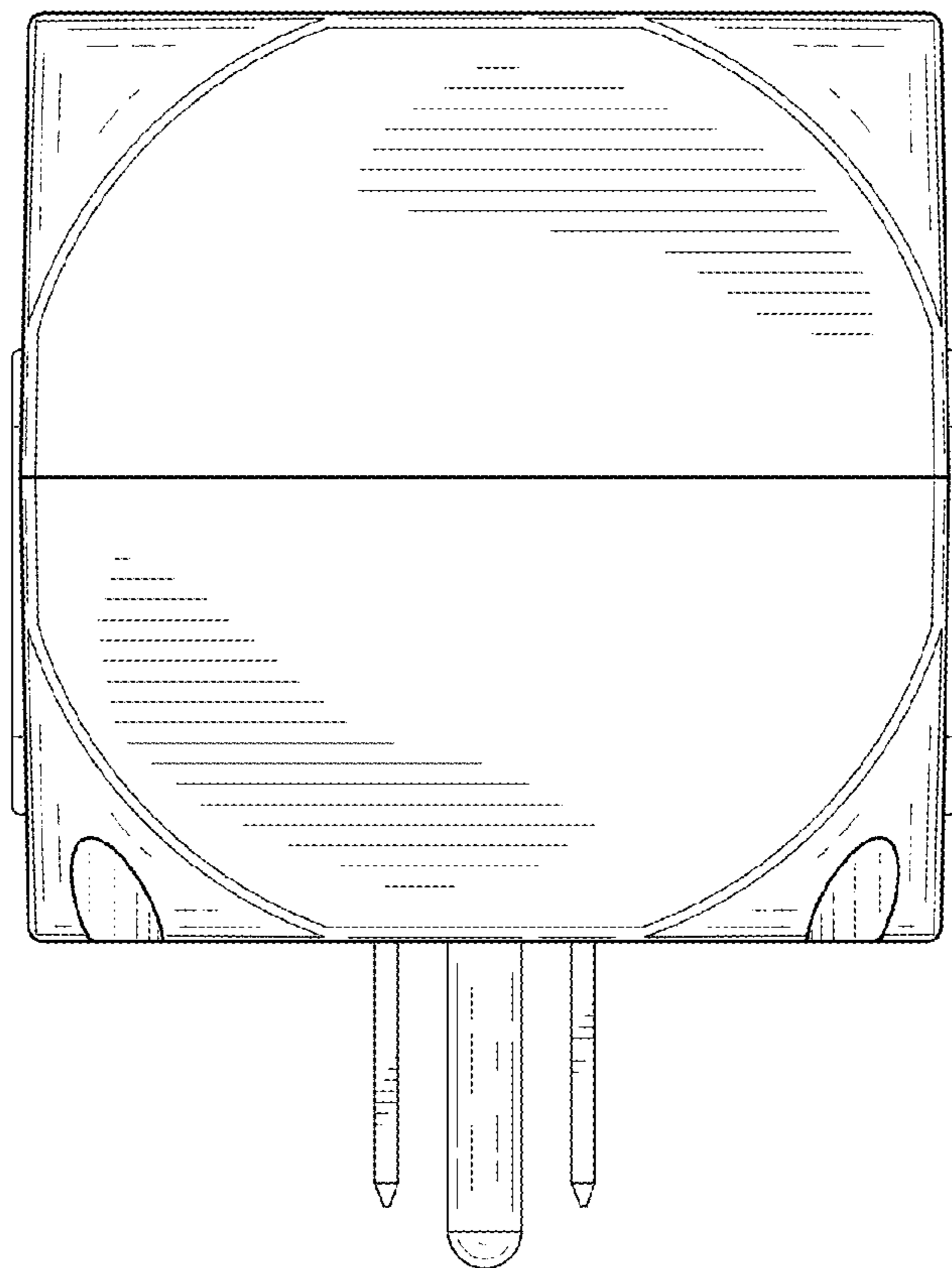


FIG. 8