



US00D950495S

(12) **United States Design Patent**
Wild

(10) **Patent No.:** **US D950,495 S**

(45) **Date of Patent:** **** May 3, 2022**

(54) **ELECTRONIC CONTROL UNIT**

(71) Applicant: **Tridonic GmbH & Co KG**, Dornbirn (AT)

(72) Inventor: **Emanuel Wild**, Lustenau (AT)

(73) Assignee: **TRIDONIC GMBH & CO KG**, Dornbirn (AT)

(**) Term: **15 Years**

(21) Appl. No.: **29/721,116**

(22) Filed: **Jan. 17, 2020**

(30) **Foreign Application Priority Data**

Jul. 22, 2019 (EM) 006640629

(51) **LOC (13) Cl.** **13-03**

(52) **U.S. Cl.**
USPC **D13/123**; D13/133; D26/113

(58) **Field of Classification Search**
USPC D13/101, 103, 107, 110, 112, 118, 120,
D13/123, 133, 147, 154, 158-160,
D13/162-162.1, 173, 177, 178, 184, 199;
D26/113

CPC G06F 1/263; H05B 33/0833; H05B 33/00;
H05K 5/00; H05K 5/0013; B60T 7/20
See application file for complete search history.

(56) **References Cited**

U.S. PATENT DOCUMENTS

- D331,226 S * 11/1992 Austin D13/162
- 5,333,948 A * 8/1994 Austin B60T 7/20
303/24.1
- D356,298 S * 3/1995 Austin D13/162
- D392,257 S * 3/1998 Lecheler D13/123
- D398,900 S * 9/1998 Roman D10/96
- D398,901 S * 9/1998 Roman D10/96
- D425,022 S * 5/2000 Jaag D13/133

- D512,966 S * 12/2005 Cook D13/162
- D608,296 S * 1/2010 Shin D13/159
- D660,798 S * 5/2012 Tseng D13/110

(Continued)

FOREIGN PATENT DOCUMENTS

- CN 301831486 * 2/2012
- CN 301938001 * 5/2012

(Continued)

OTHER PUBLICATIONS

Tridonic, Date: Jun. 26, 2020, [online], [site visited Sep. 14, 2021], Available from internet, URL: <https://www.tridonic.com/com/en/products/led-driver-lca-15w-180-350ma-flexc-ph-c-sr-adv.asp> (Year: 2020).*

(Continued)

Primary Examiner — Shawn T Gingrich

Assistant Examiner — Bryan Nolan Melvin

(74) *Attorney, Agent, or Firm* — Scully Scott Murphy and Presser

(57) **CLAIM**

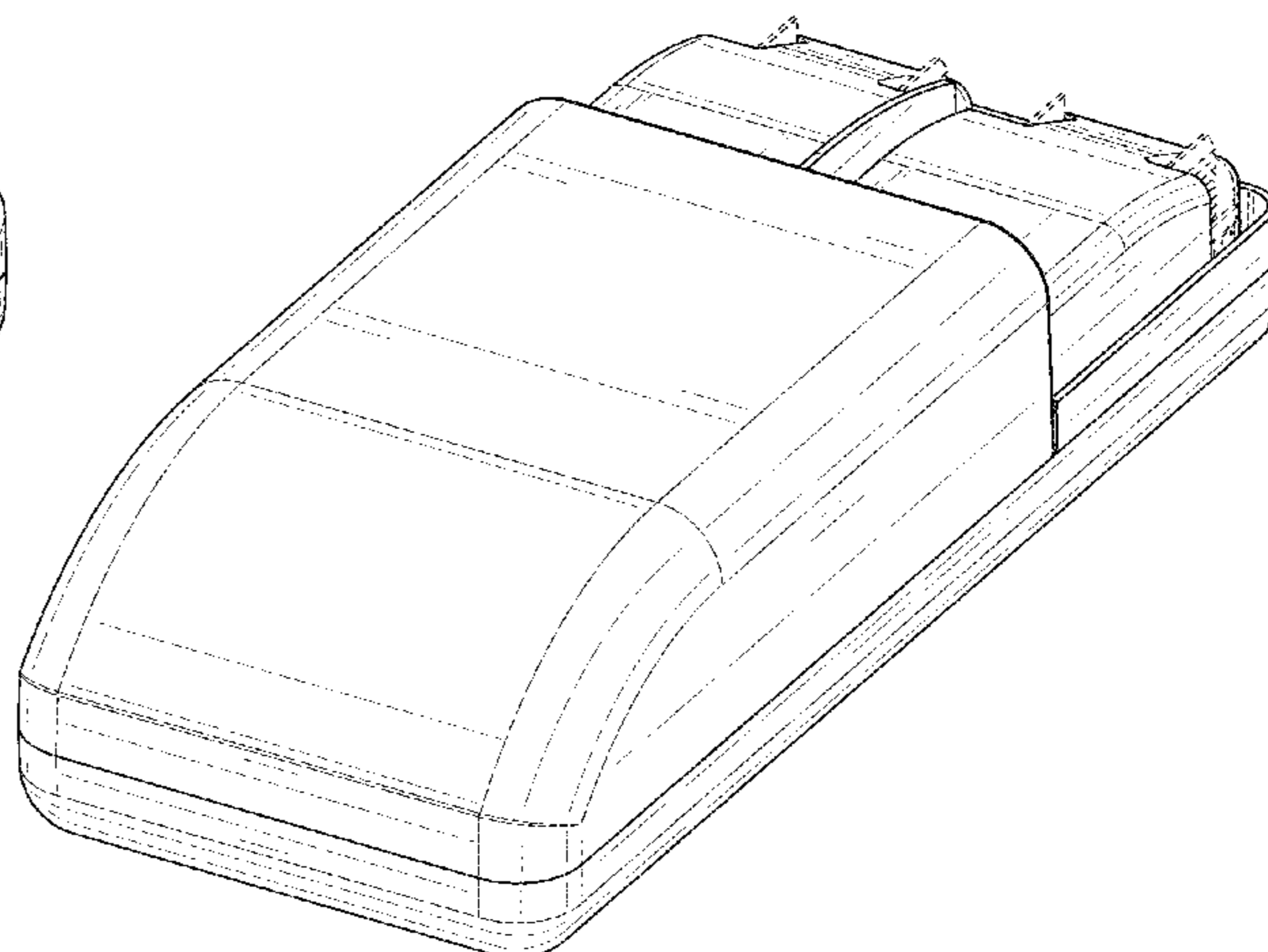
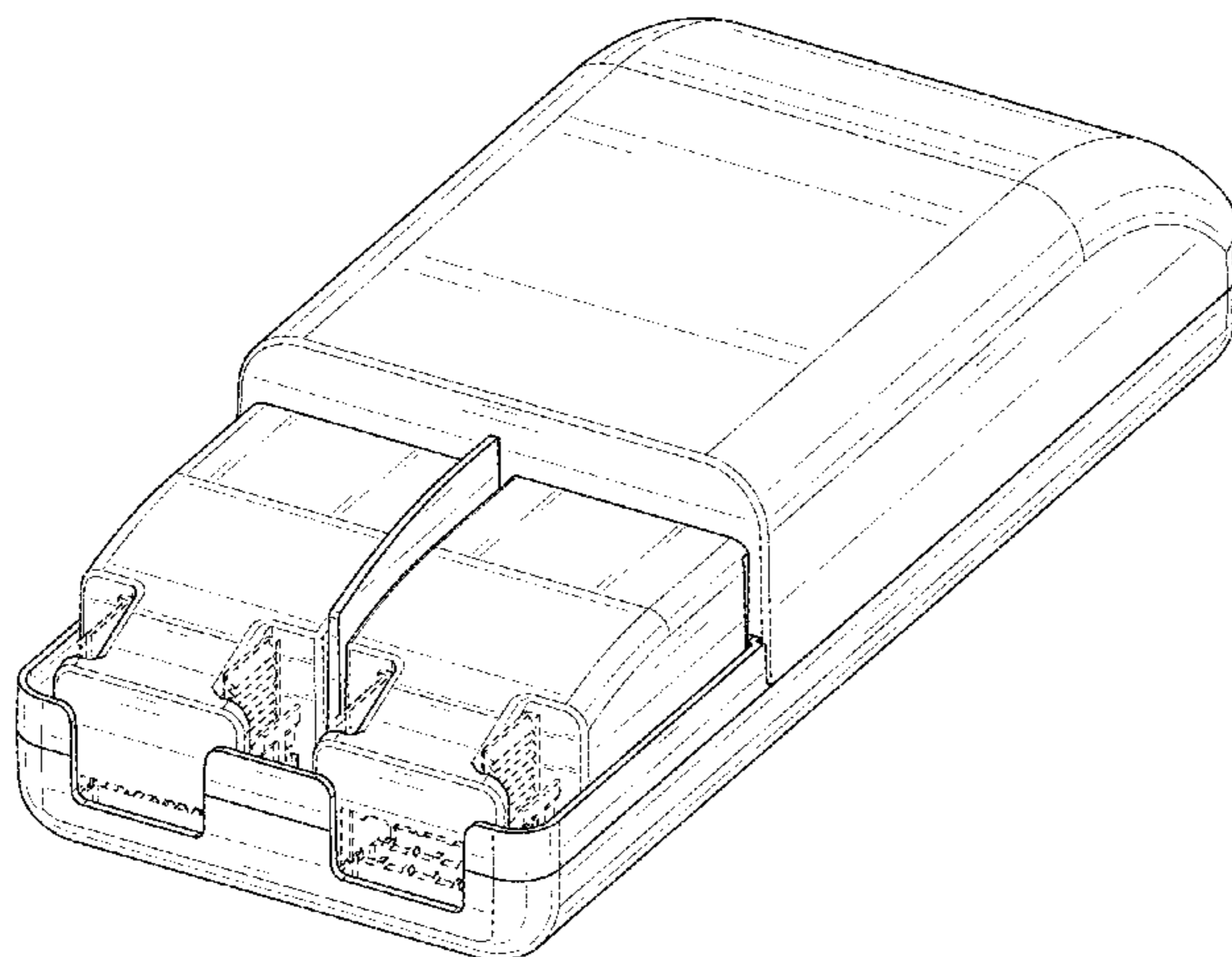
The ornamental design for an electronic control unit, as shown and described.

DESCRIPTION

FIG. 1 is a front perspective view of the electronic control unit showing my new and ornamental design; FIG. 2 is a rear perspective view thereof; FIG. 3 is a top plan view thereof; FIG. 4 is a bottom plan view thereof; FIG. 5 is a side elevation view thereof; FIG. 6 is an alternate side elevation view thereof; FIG. 7 is a front elevation view thereof; and, FIG. 8 is a rear elevation view thereof.

The portions of the electronic control unit shown in broken lines in the figures attached hereto form no part of the claimed design.

1 Claim, 8 Drawing Sheets



(56)

References Cited

U.S. PATENT DOCUMENTS

D773,721 S * 12/2016 Hrach D26/113
D777,125 S * 1/2017 Eder D13/184
D841,583 S * 2/2019 Spiegel D13/110

FOREIGN PATENT DOCUMENTS

CN 301976532 * 7/2012
EM 006640629-0001 * 4/2020
EM 006640629-0002 * 4/2020
EM 006640629-0003 * 4/2020

OTHER PUBLICATIONS

Tridonic, Date: Jun. 26, 2020, [online], [site visited Sep. 14, 2021],
Available from internet, URL: [https://www.tridonic.com/com/en/
products/led-driver-lc-5w-120ma-fixc-pc-sr-snc2.asp](https://www.tridonic.com/com/en/products/led-driver-lc-5w-120ma-fixc-pc-sr-snc2.asp) (Year: 2020).*

* cited by examiner

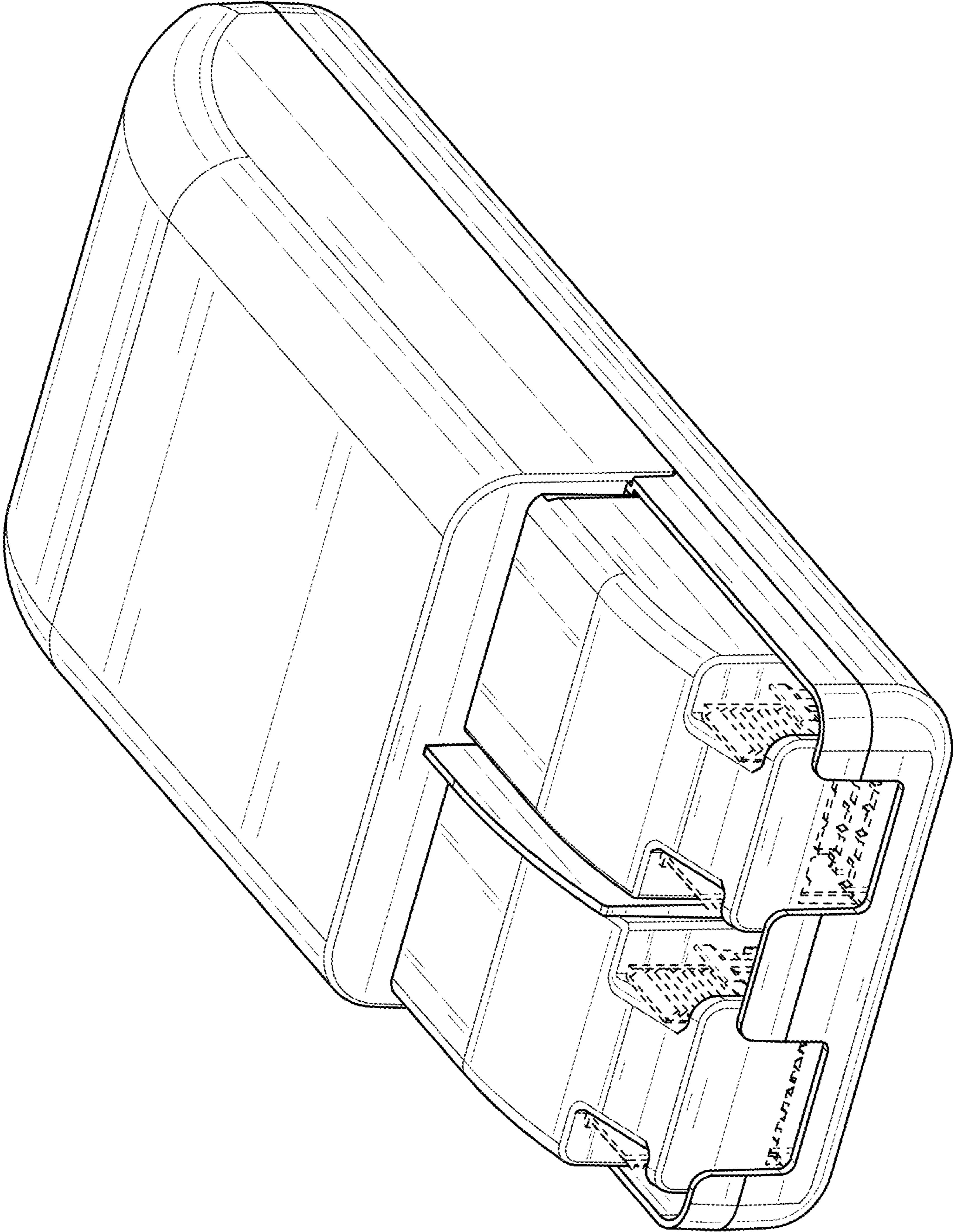


FIG. 1

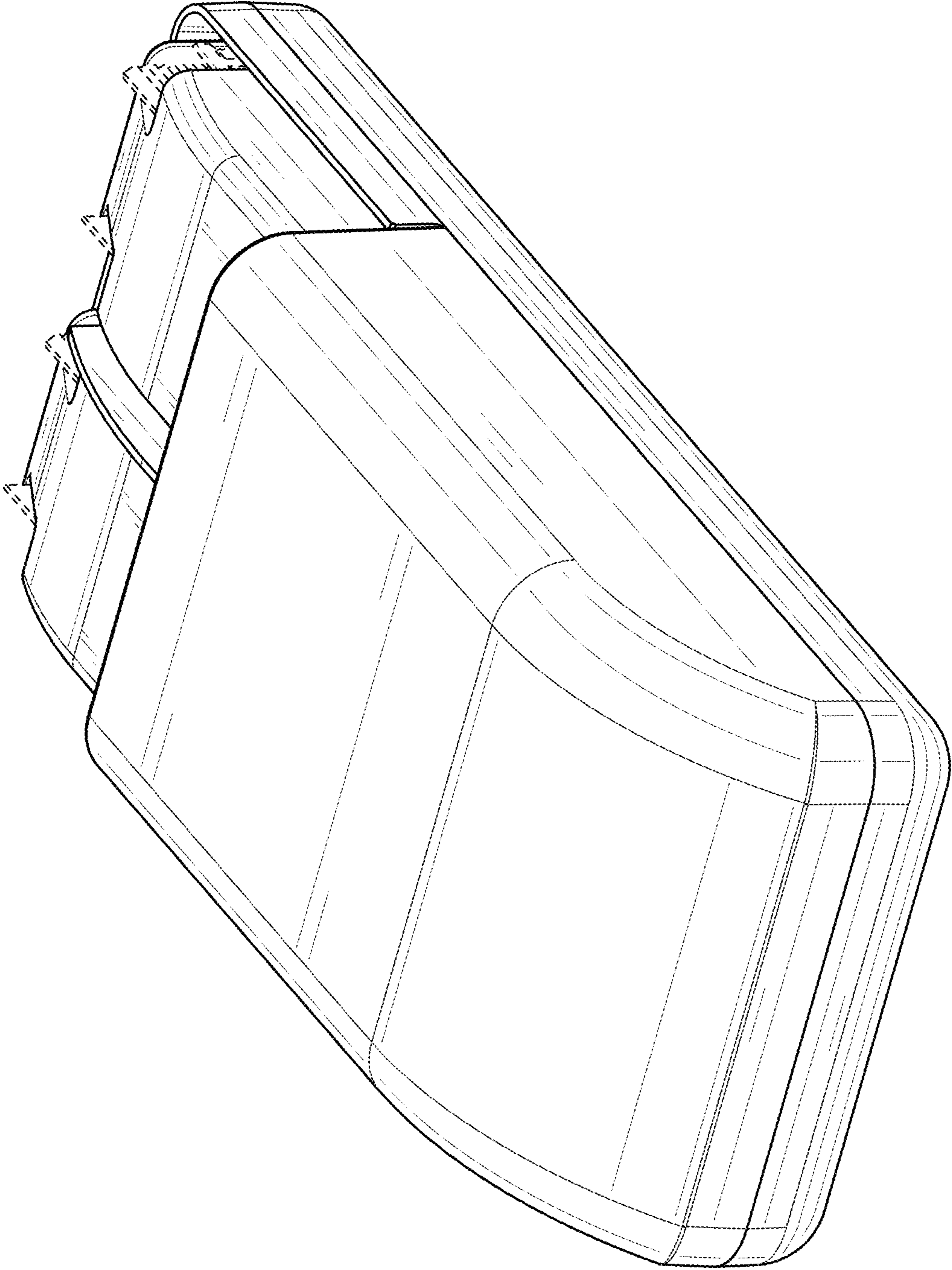


FIG. 2

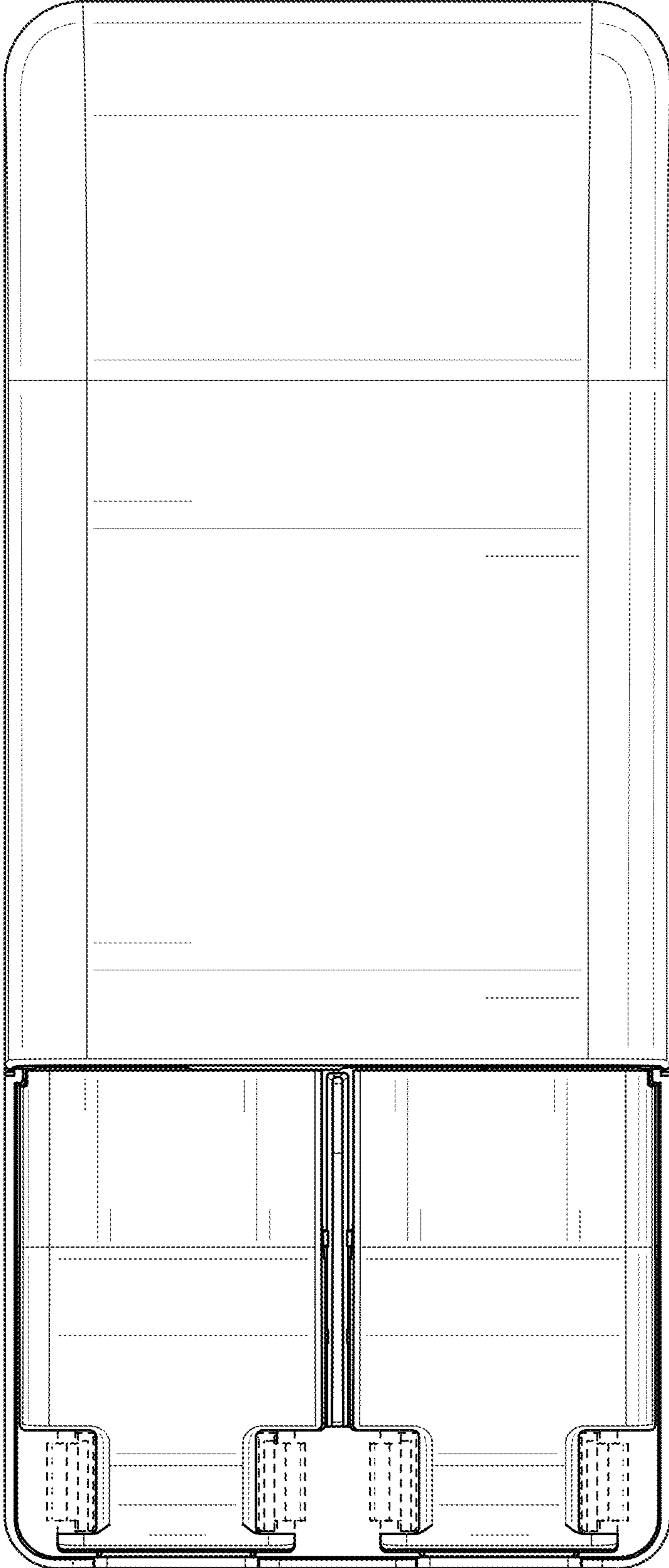


FIG. 3

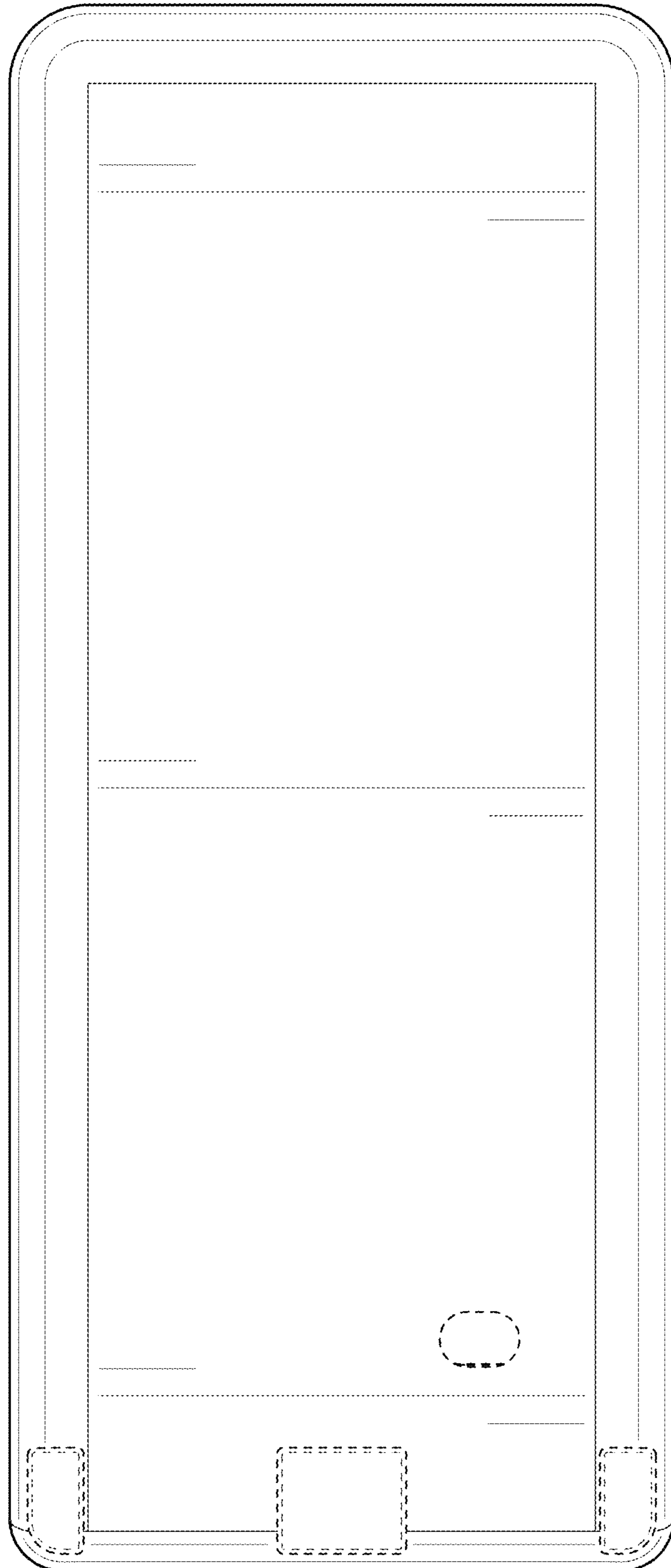


FIG. 4

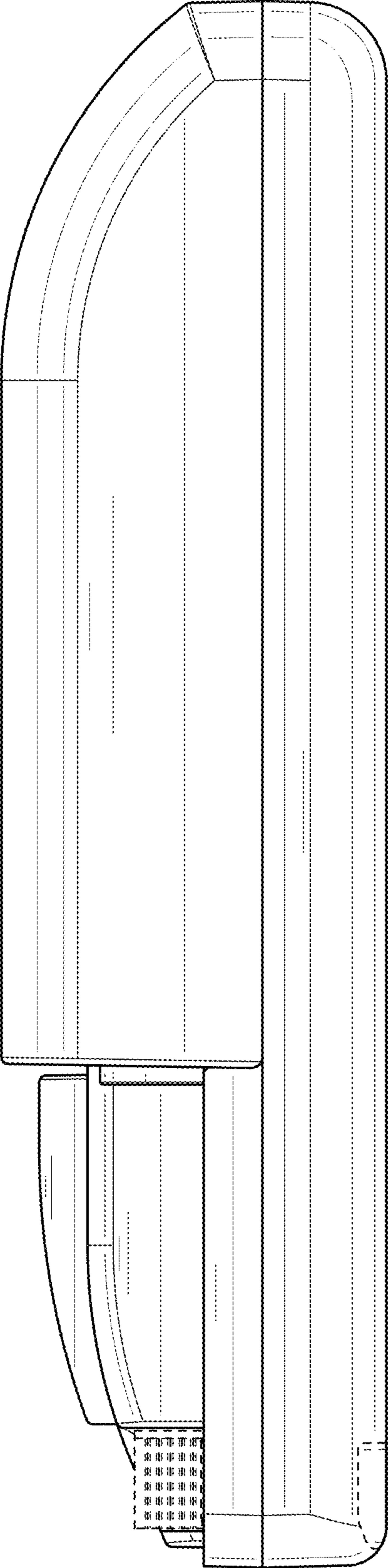


FIG. 5

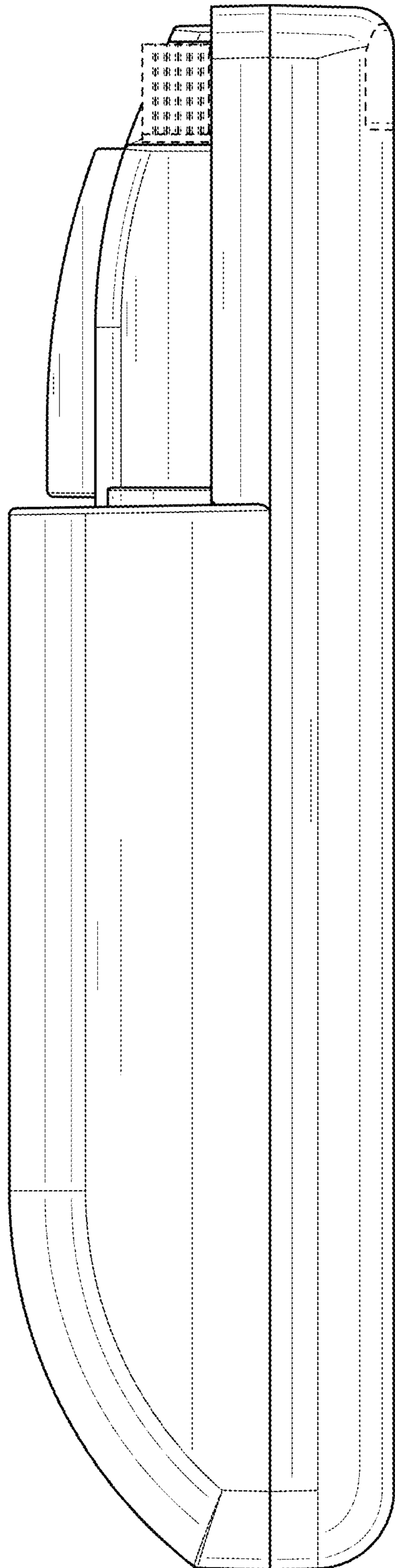


FIG. 6

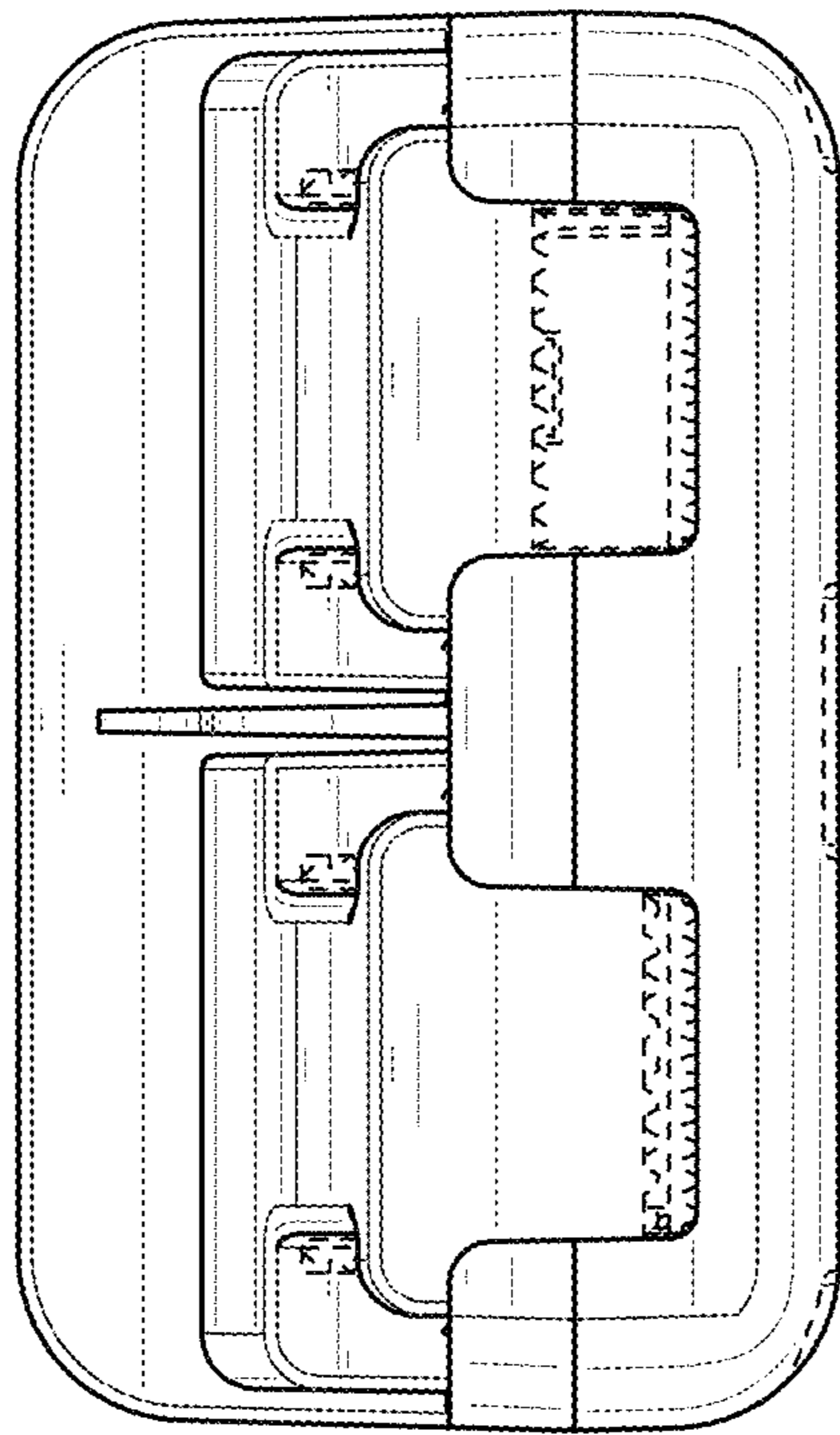


FIG. 7

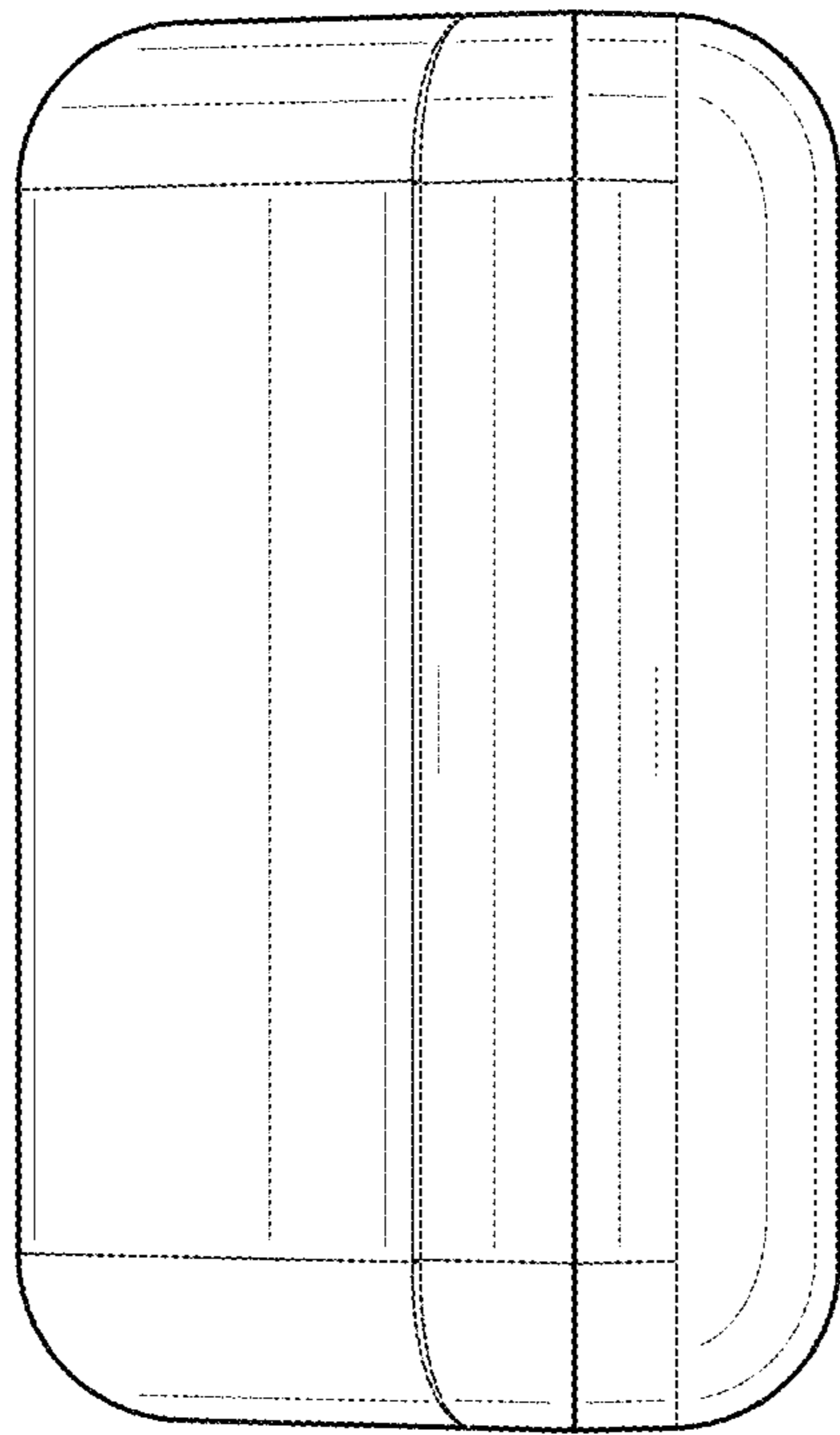


FIG. 8