



US00D950490S

(12) **United States Design Patent** (10) **Patent No.:** **US D950,490 S**
Yu (45) **Date of Patent:** **** May 3, 2022**

(54) **ENERGY STORAGE AND POWER SUPPLY DEVICE**

(56) **References Cited**

U.S. PATENT DOCUMENTS

(71) Applicant: **SHENZHEN CARKU TECHNOLOGY CO., LIMITED**, Shenzhen (CN)

D815,039 S *	4/2018	Wen	D13/110
D874,398 S *	2/2020	Sun	D13/107
D883,206 S *	5/2020	Bai	D13/110
D897,284 S *	9/2020	Sun	D13/103
D911,273 S *	2/2021	Sun	D13/103
D911,935 S *	3/2021	Alexander	D13/107
D911,953 S *	3/2021	Yin	D13/103
D930,585 S *	9/2021	Yu	D13/110
D931,800 S *	9/2021	Fang	D13/103
D936,007 S *	11/2021	Huang	D13/110
D936,583 S *	11/2021	Liu	D13/110
D938,355 S *	12/2021	Xiong	D13/110
D942,932 S *	2/2022	Yin	D13/107

(72) Inventor: **Yanzhen Yu**, Shenzhen (CN)

(73) Assignee: **SHENZHEN CARKU TECHNOLOGY CO., LIMITED**, Shenzhen (CN)

(**) Term: **15 Years**

* cited by examiner

(21) Appl. No.: **29/731,194**

Primary Examiner — Rosemary K Tarcza

(22) Filed: **Apr. 13, 2020**

(74) *Attorney, Agent, or Firm* — Hauptman Ham, LLP

(30) **Foreign Application Priority Data**

(57) **CLAIM**

Oct. 17, 2019 (CN) 201930565863.7

The ornamental design for an energy storage and power supply device, as shown.

(51) **LOC (13) Cl.** **13-02**

DESCRIPTION

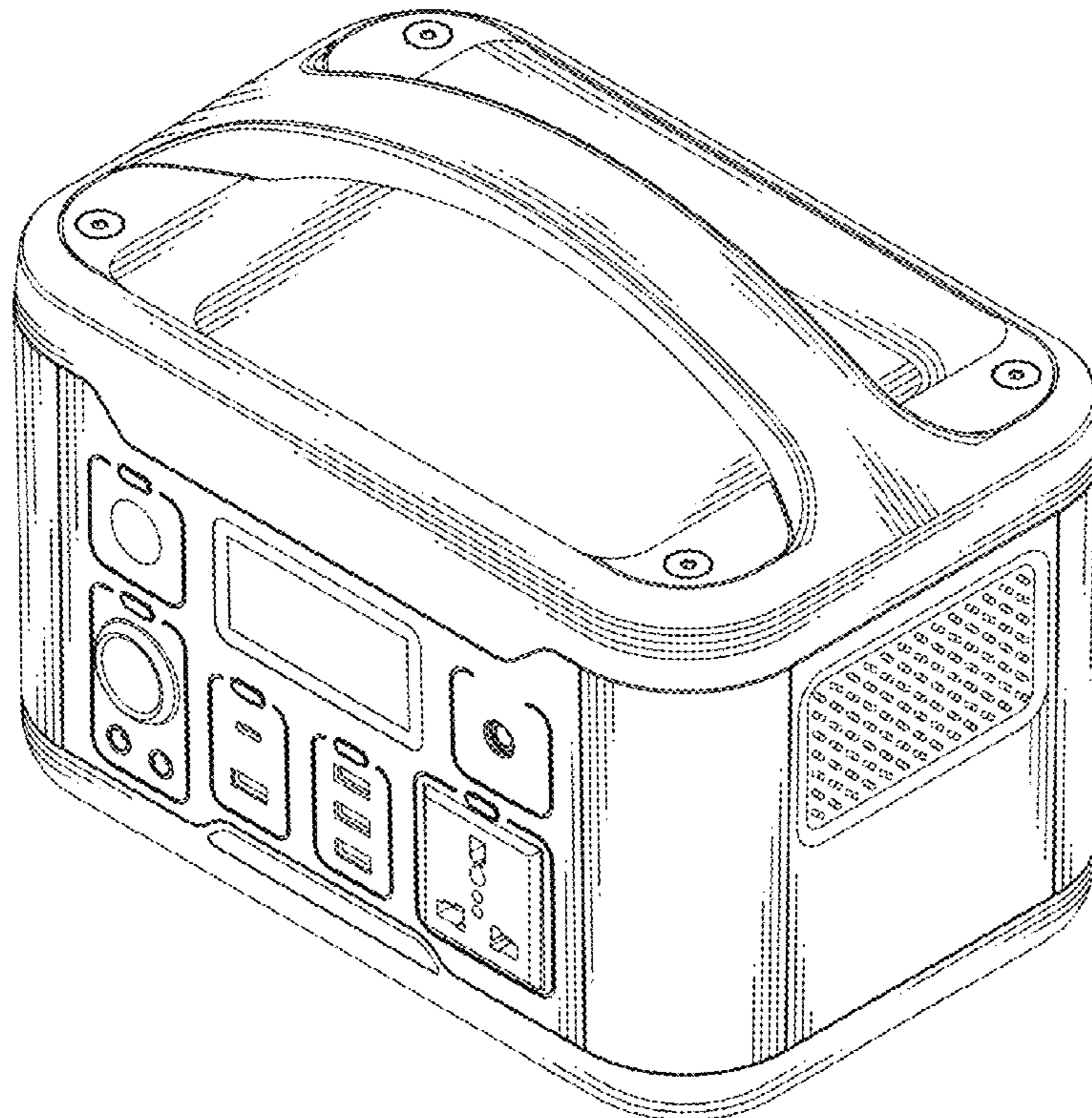
(52) **U.S. Cl.**
USPC **D13/110**

FIG. 1 is a front view of an energy storage and power supply device showing the new design;
FIG. 2 is a rear view thereof;
FIG. 3 is a left side view thereof;
FIG. 4 is a right side view thereof;
FIG. 5 is a top plan view thereof;
FIG. 6 is a bottom plan view thereof; and,
FIG. 7 is a front, top, and right side perspective view thereof.

(58) **Field of Classification Search**
USPC D13/103, 107–108, 110, 118–119, 184, D13/199, 106
CPC H02J 7/0013; H02J 7/0014; H02J 7/0019; H05K 5/0086; H01M 10/4257; H01M 10/441; H01M 10/46

See application file for complete search history.

1 Claim, 7 Drawing Sheets



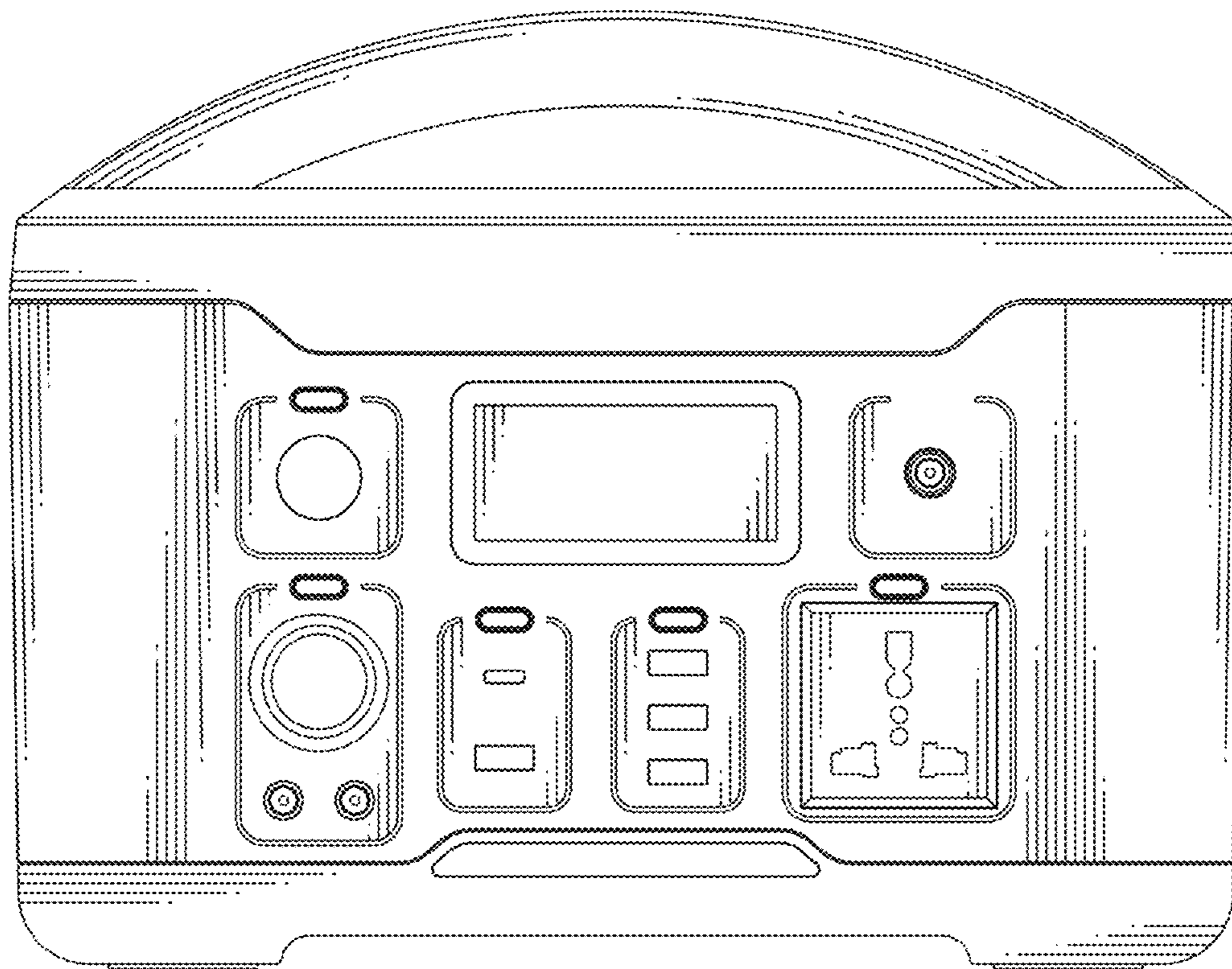


Fig. 1

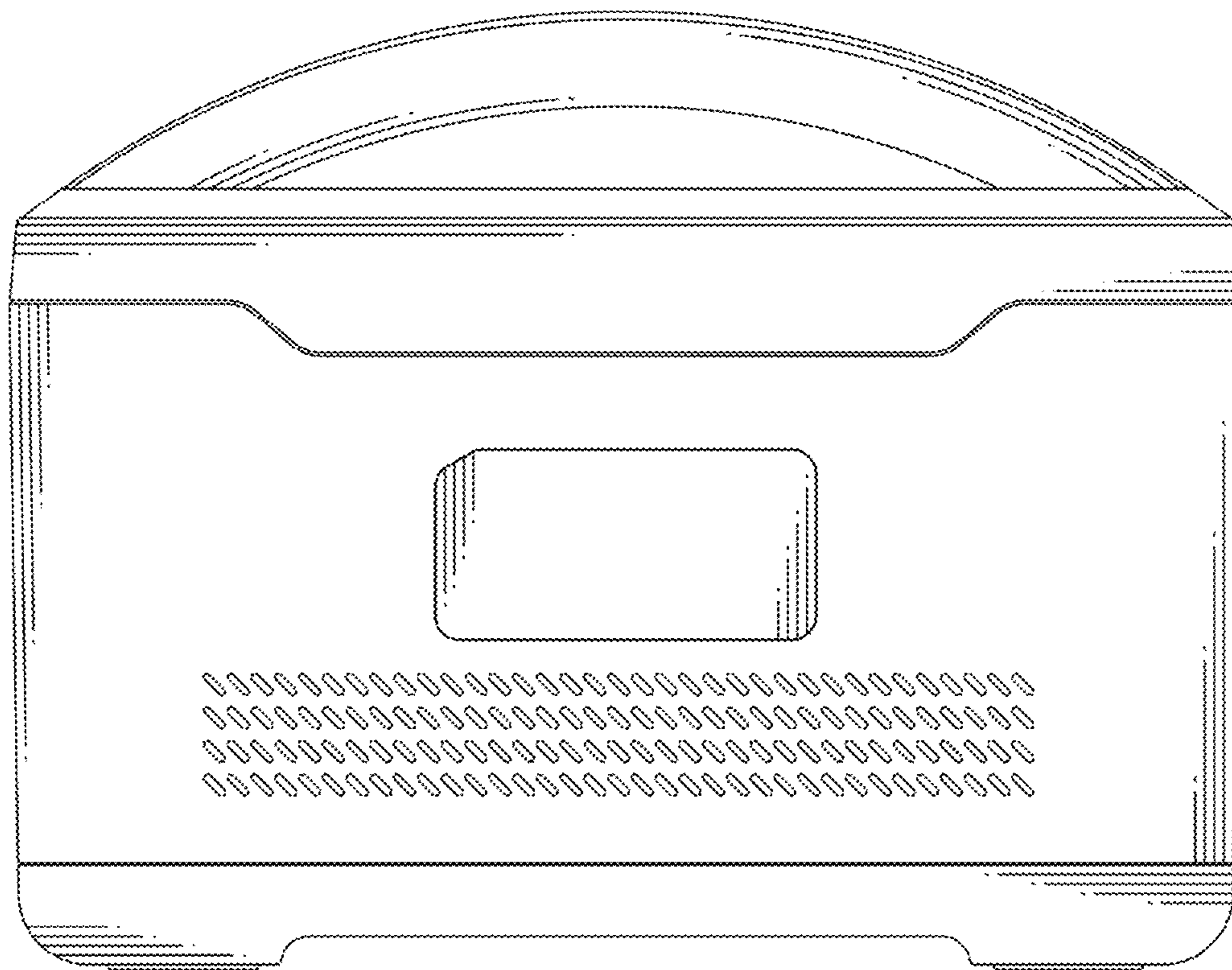


Fig. 2

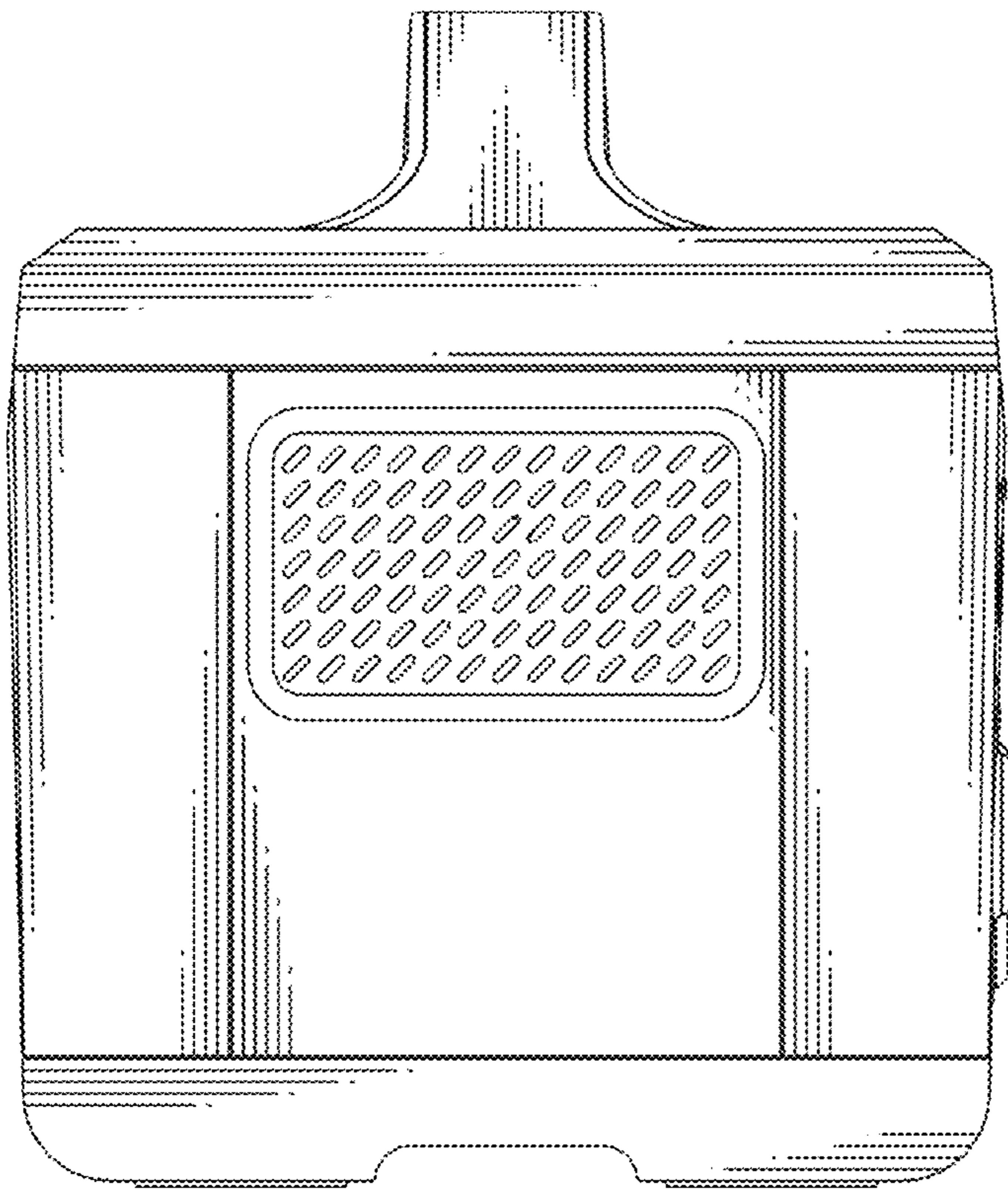


Fig. 3

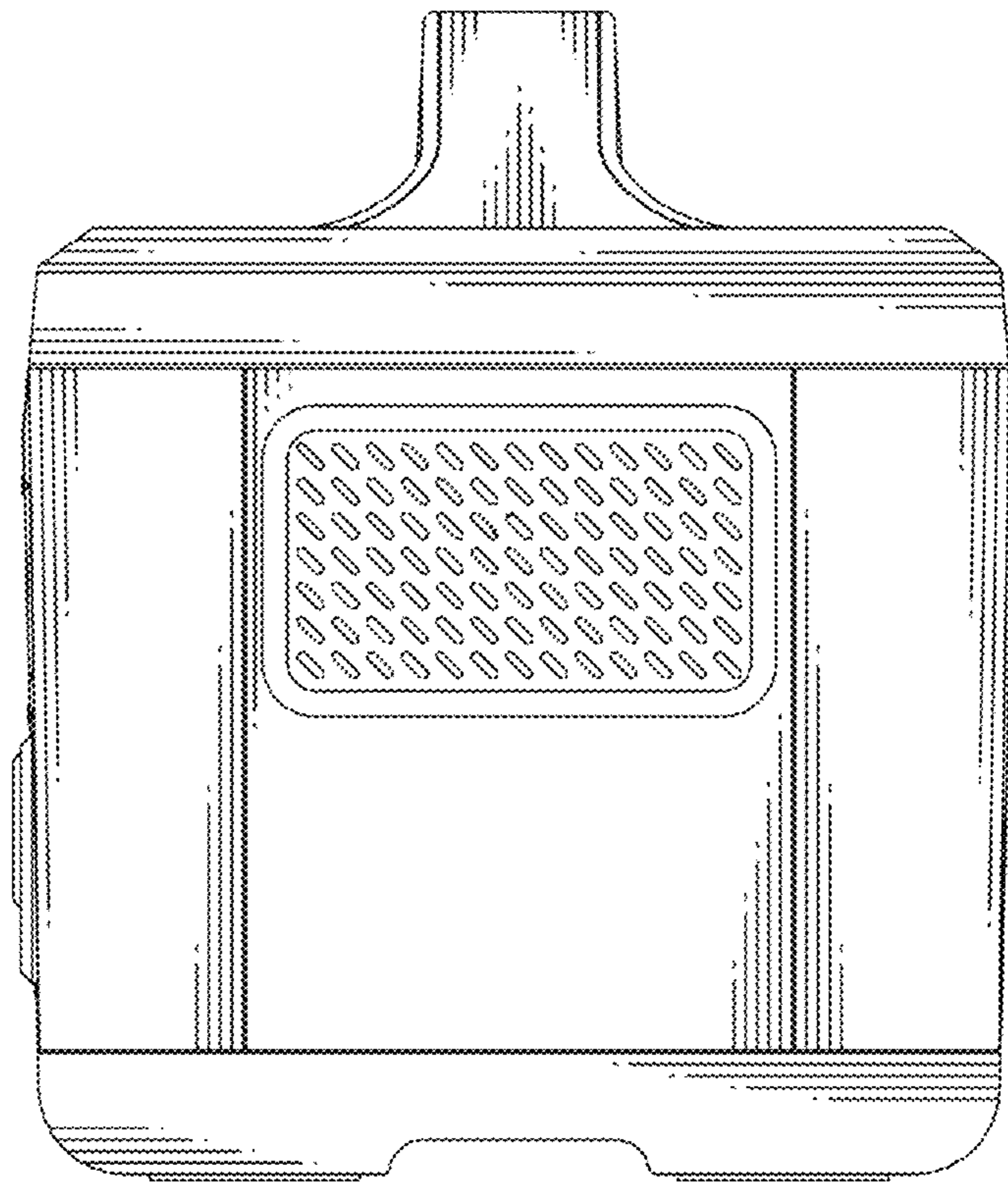


Fig. 4

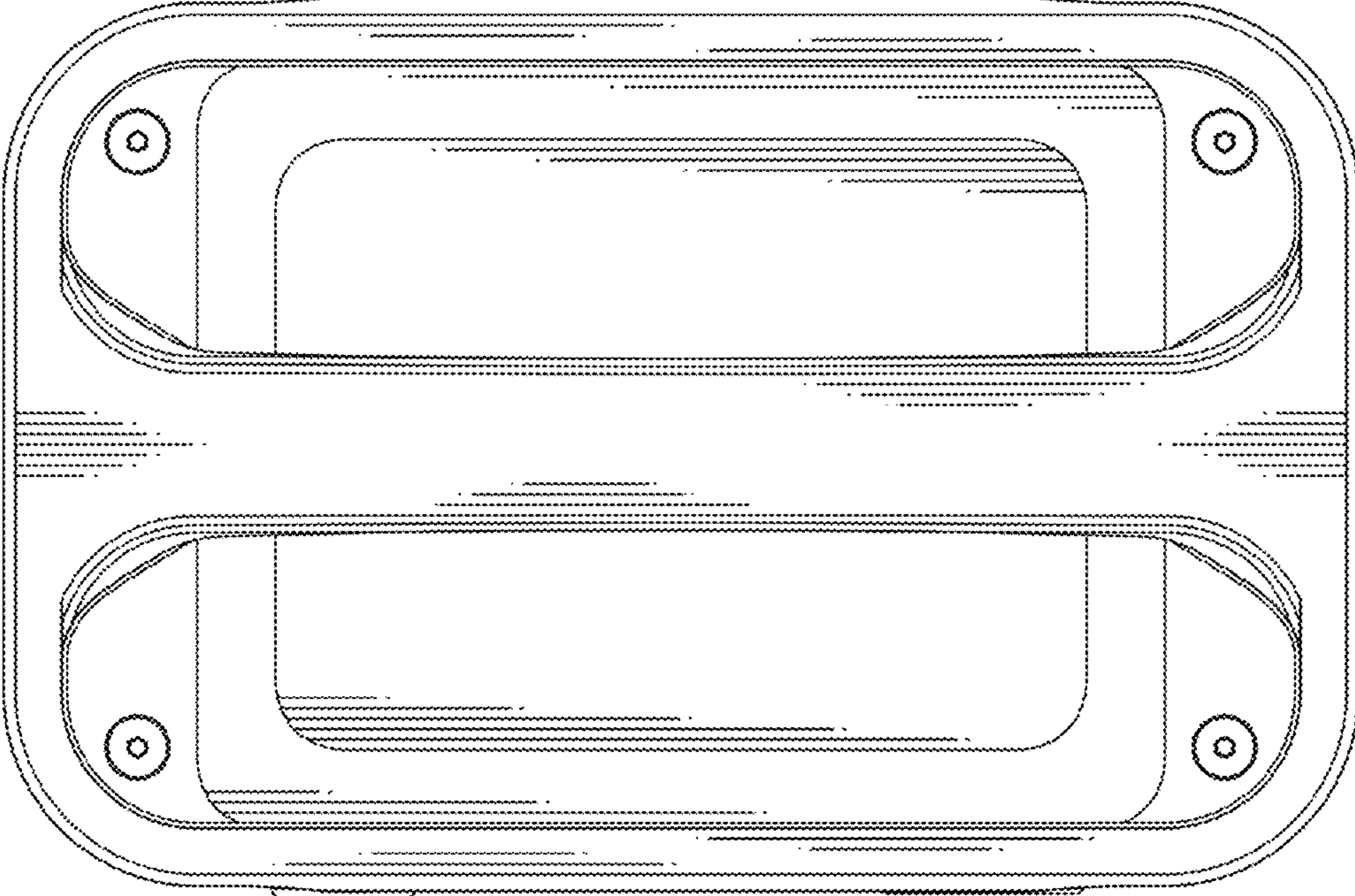


Fig. 5

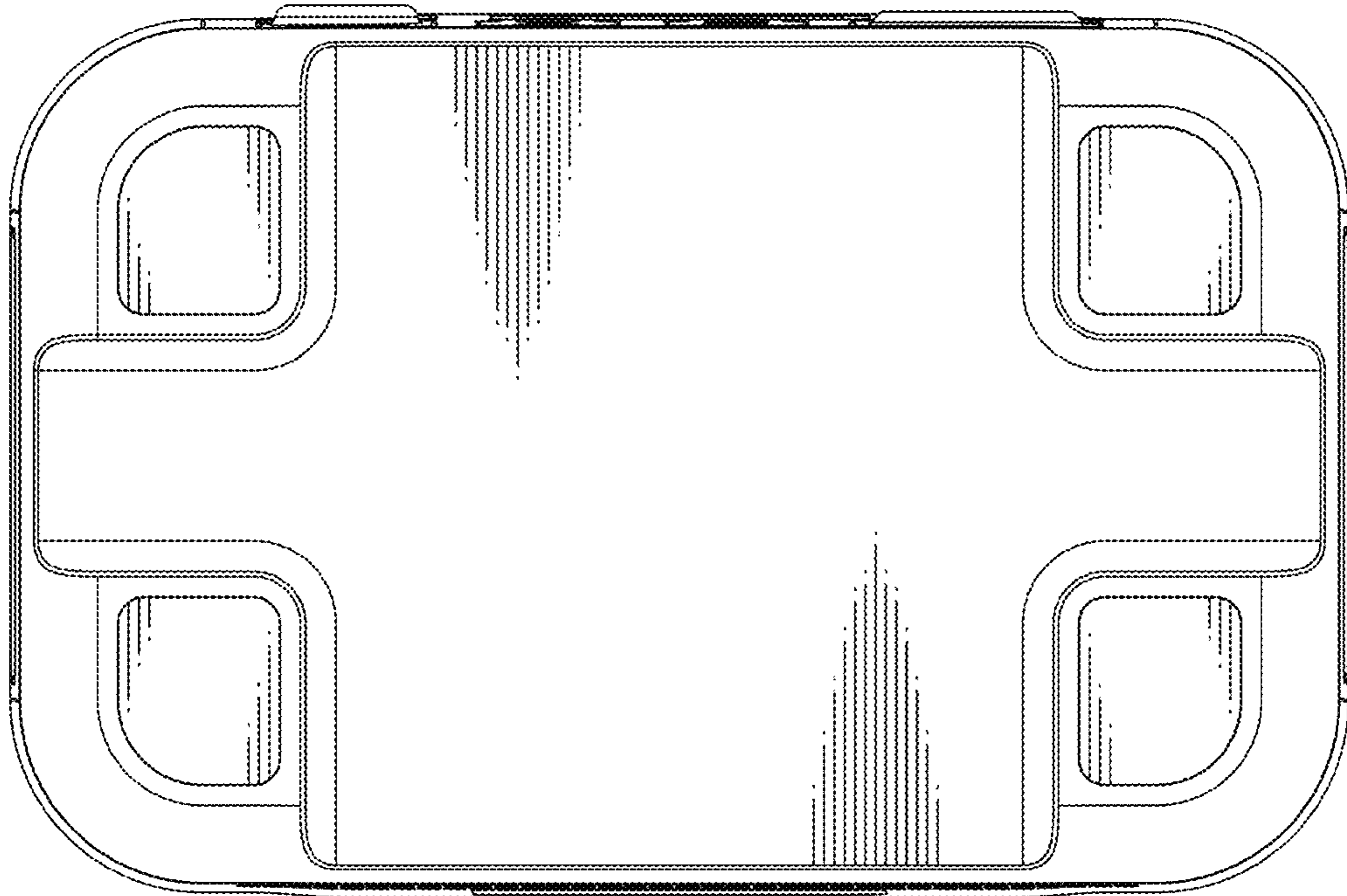


Fig. 6

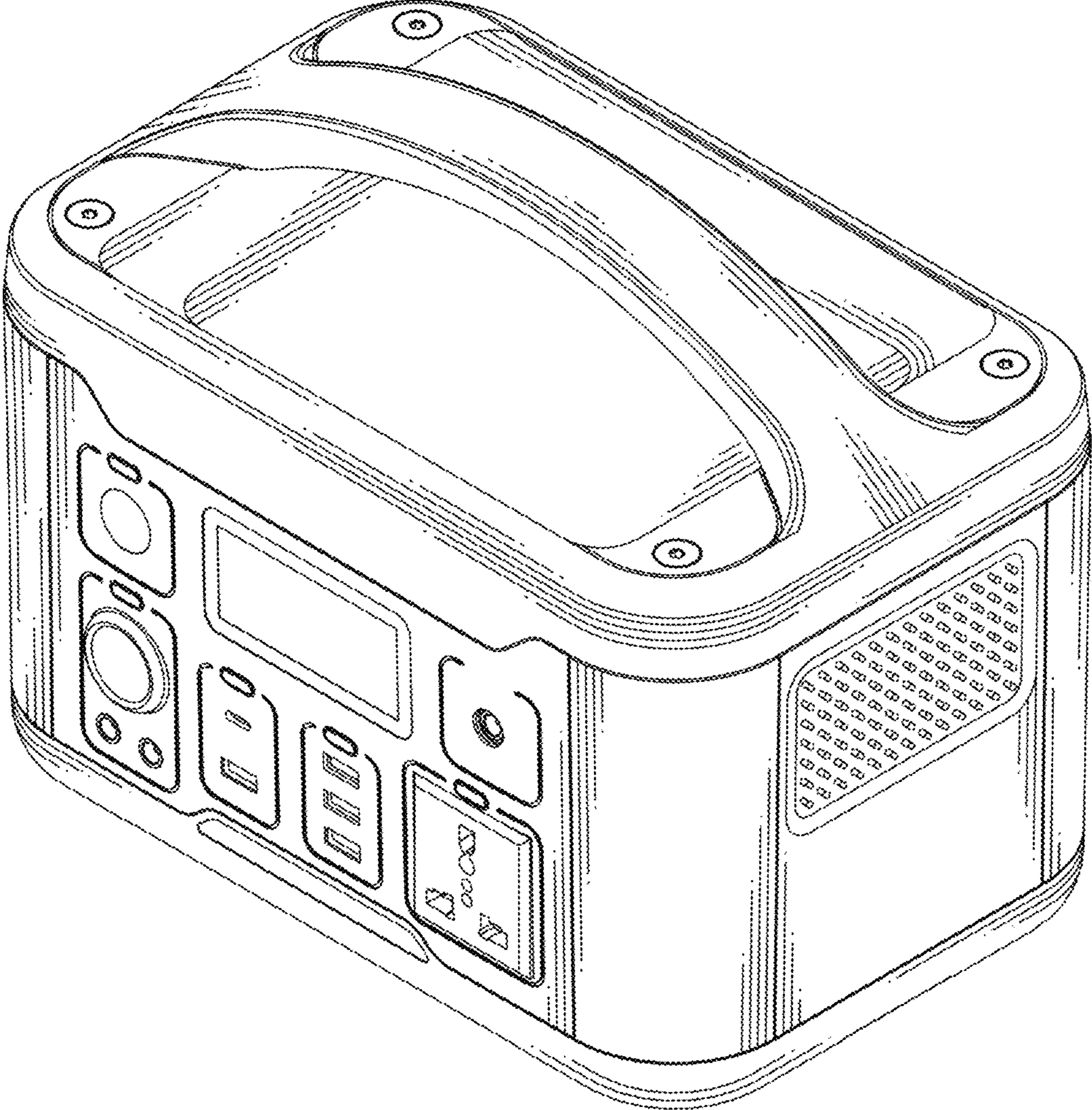


Fig. 7