



US00D950486S

(12) **United States Design Patent**  
**Wang**

(10) **Patent No.:** **US D950,486 S**

(45) **Date of Patent:** **\*\* May 3, 2022**

(54) **BATTERY CHARGER**

(71) Applicant: **Yongsheng Wang**, Loudi (CN)

(72) Inventor: **Yongsheng Wang**, Loudi (CN)

(\*\*) Term: **15 Years**

(21) Appl. No.: **29/757,932**

(22) Filed: **Nov. 10, 2020**

(51) **LOC (13) Cl.** ..... **13-02**

(52) **U.S. Cl.**  
USPC ..... **D13/107**

(58) **Field of Classification Search**

USPC ..... D13/102-110, 118, 119, 153, 154, 184,  
D13/199  
CPC ..... Y02E 60/10; Y02E 60/12; Y02E 60/122;  
Y02E 60/124; Y02E 60/50; H01M 2/02;  
H01M 2/022; H01M 2/0202; H01M  
2/0207; H01M 2/0212; H01M 2/1061;  
H01M 2/1022; H01M 2/1055; H01M  
2/1066; H01M 2/105; H01M 2/20; H01M  
2/202; H01M 2/204; H01M 2/206; H01M  
2200/30; H01M 2250/30; H01M 2250/40;  
H01M 10/44; H01M 10/46; H01M  
10/465; H01M 10/482; H01M 10/4257;  
H01M 10/0436; H01M 10/48; H02J  
7/0034; H02J 7/0054; H02J 7/1423; H02J  
7/00; H02J 7/0003; H02J 7/0011; H02J  
7/0013; H02J 7/0055; H02J 7/0057;  
Y02T 10/7005; Y02T 10/705; Y02T  
10/7088

See application file for complete search history.

(56) **References Cited**

**U.S. PATENT DOCUMENTS**

D515,501 S \* 2/2006 Kawasaki ..... D13/107  
D532,370 S \* 11/2006 Shimizu ..... D13/108  
D571,722 S \* 6/2008 Kang ..... D13/107  
D573,088 S \* 7/2008 Castellucci ..... D13/107

D599,287 S \* 9/2009 Kingston ..... D13/107  
D623,130 S \* 9/2010 Kawakami ..... D13/107  
D632,646 S \* 2/2011 Fitch ..... D13/107  
D632,647 S \* 2/2011 Fitch ..... D13/107  
D639,732 S \* 6/2011 Ueda ..... D13/107  
D650,328 S \* 12/2011 Fitch ..... D13/107  
D667,785 S \* 9/2012 Ueda ..... D13/107  
D687,770 S \* 8/2013 Rabalais ..... D13/107  
D687,771 S \* 8/2013 Rabalais ..... D13/107  
D694,177 S \* 11/2013 Bennett ..... D13/107  
D694,178 S \* 11/2013 Bennett ..... D13/107  
D697,025 S \* 1/2014 Fitch ..... D13/107  
D808,899 S \* 1/2018 Li ..... D13/107

(Continued)

*Primary Examiner* — Christy Nemeth

(74) *Attorney, Agent, or Firm* — W&KIP

(57) **CLAIM**

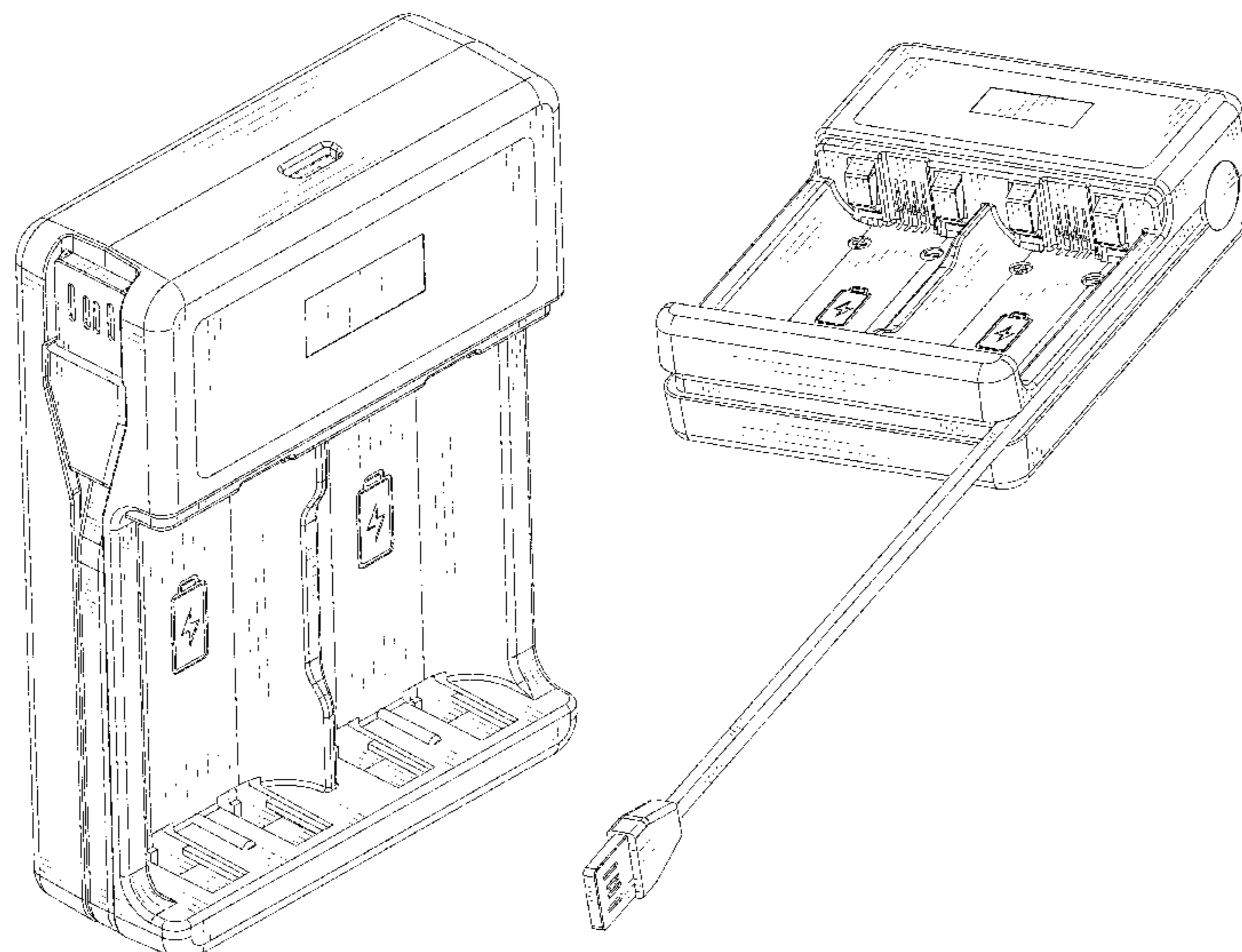
The ornamental design for a battery charger, as shown and described.

**DESCRIPTION**

FIG. 1 is a perspective view of a battery charger showing my new design;  
FIG. 2 is a front view thereof;  
FIG. 3 is a rear view thereof;  
FIG. 4 is a left side view thereof;  
FIG. 5 is a right side view thereof;  
FIG. 6 is a top plan view thereof;  
FIG. 7 is a bottom plan view thereof;  
FIG. 8 is another perspective view thereof;  
FIG. 9 is a perspective view the battery charger in an open state; and,  
FIG. 10 is an enlarged view of the portion encircled in FIG. 1.

The broken line circle in FIGS. 1 and 10 is for the purpose of illustrating the boundary of the portion shown enlarged in FIG. 10, and forms no part of the claimed design. The remaining broken lines are for the purpose of illustrating portions of the battery charger that form no part of the claimed design.

**1 Claim, 10 Drawing Sheets**



(56)

**References Cited**

U.S. PATENT DOCUMENTS

D808,900 S *	1/2018	Li	.....	D13/107
D810,012 S *	2/2018	Li	.....	D13/107
D816,023 S *	4/2018	Price	.....	D13/107
D817,871 S *	5/2018	Li	.....	D13/107
D905,628 S *	12/2020	Yi	.....	D13/107
D911,272 S *	2/2021	Xu	.....	D13/107
D935,997 S *	11/2021	Huang	.....	D13/107

\* cited by examiner

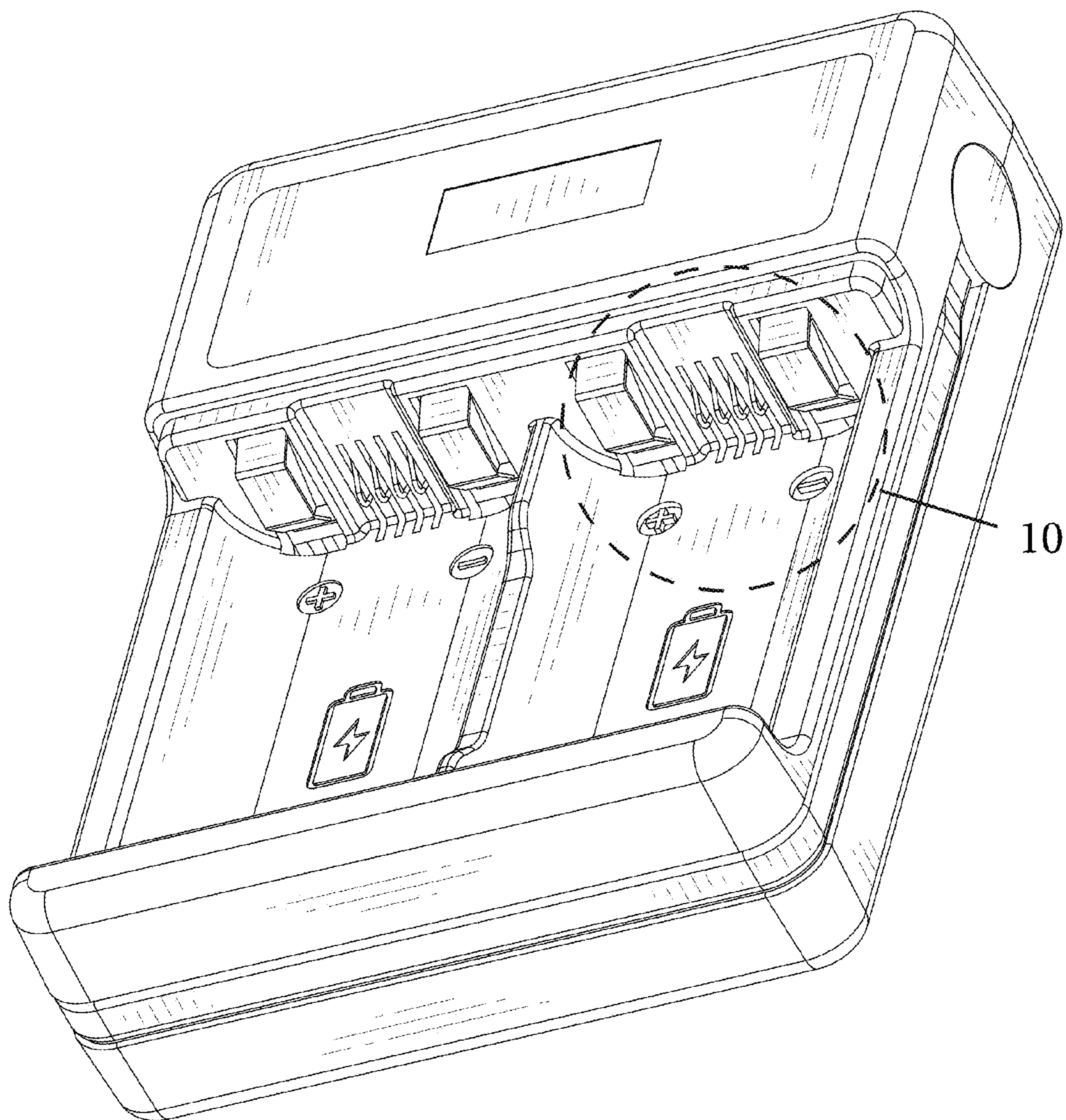


FIG.1

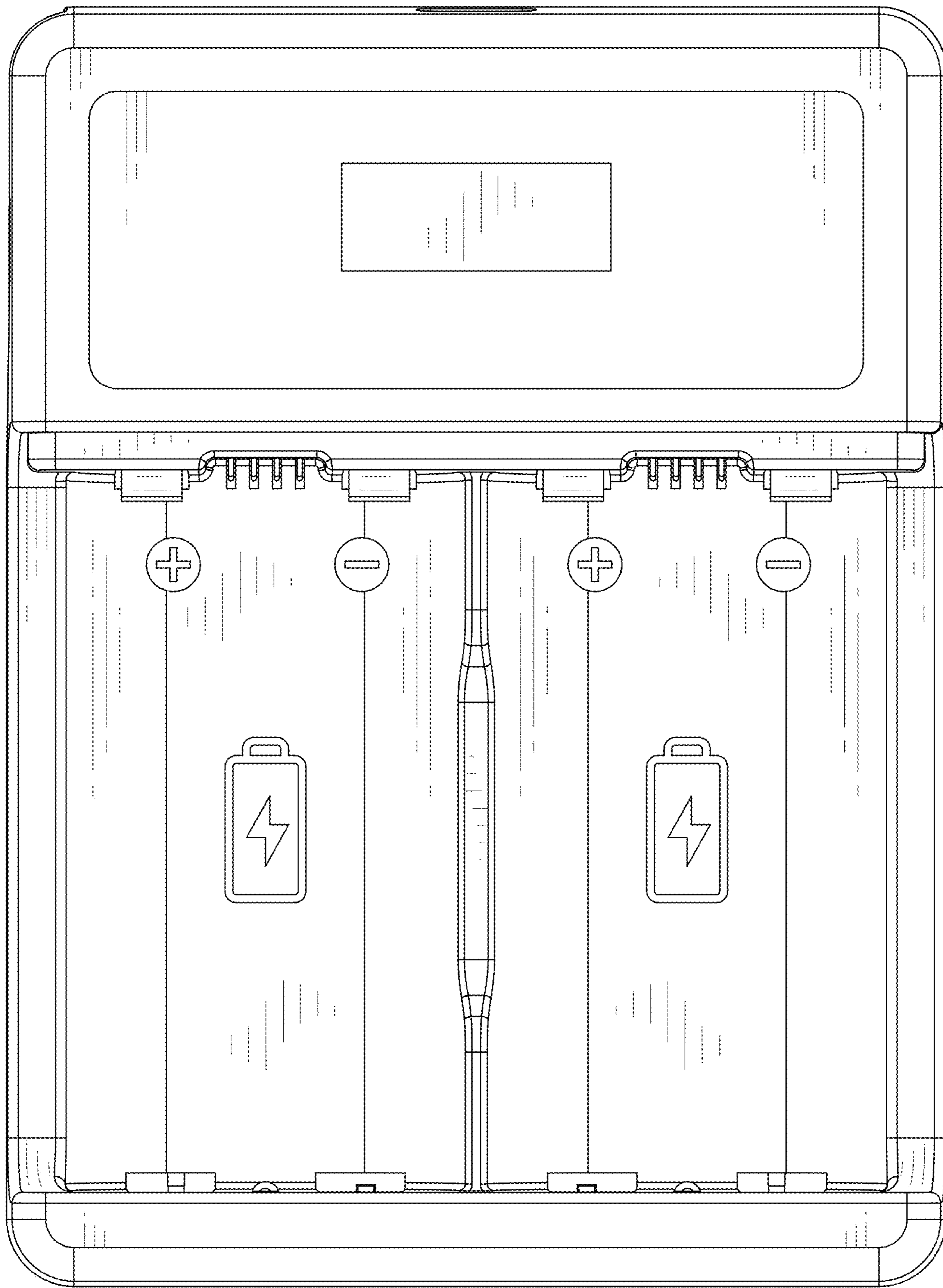


FIG.2

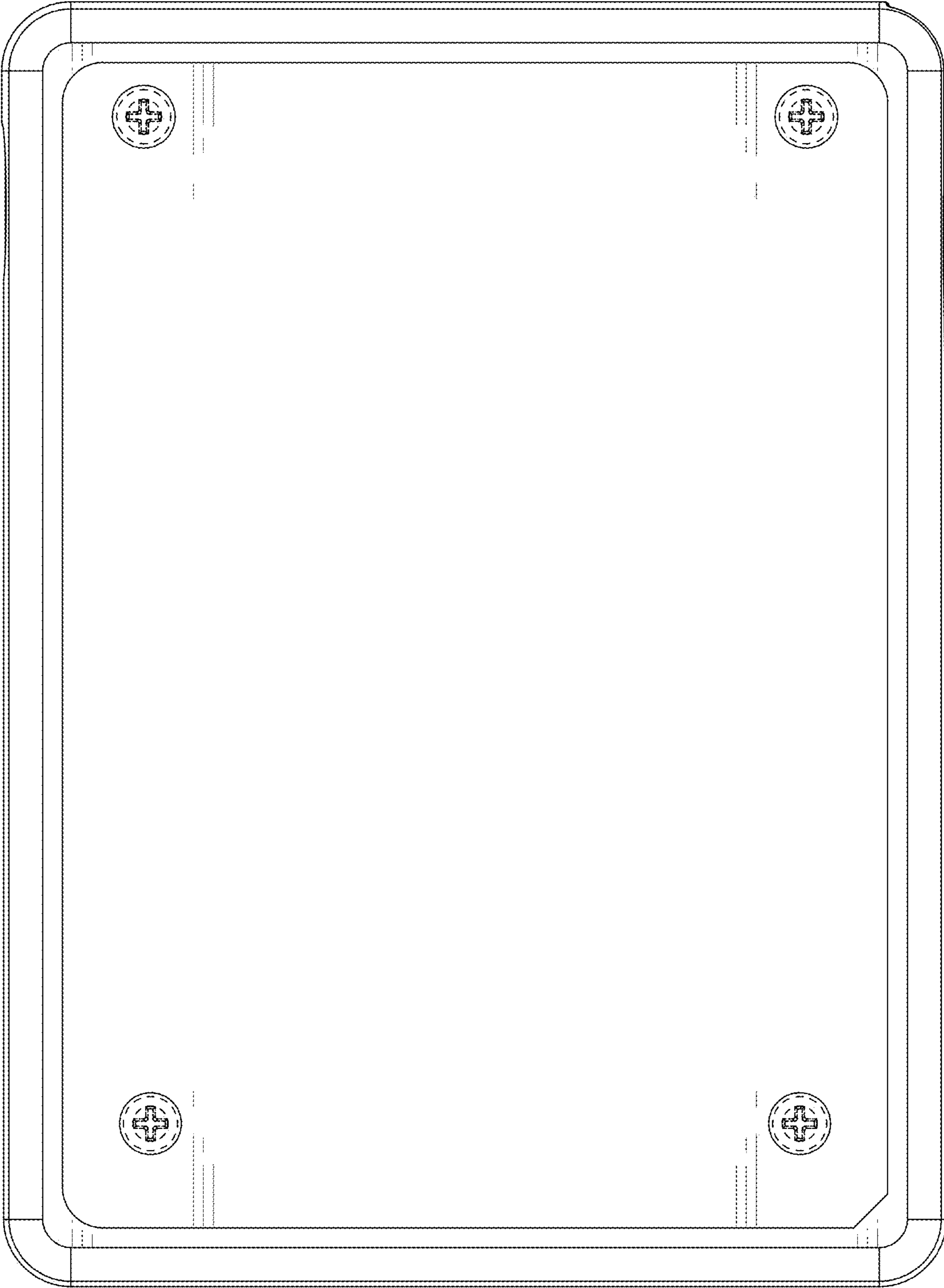


FIG.3

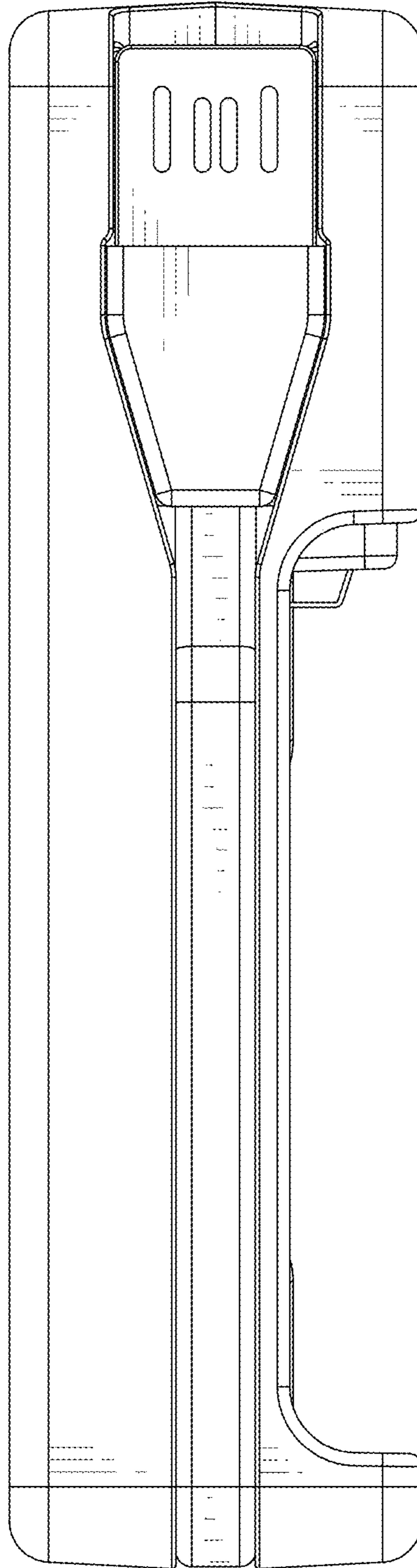


FIG. 4

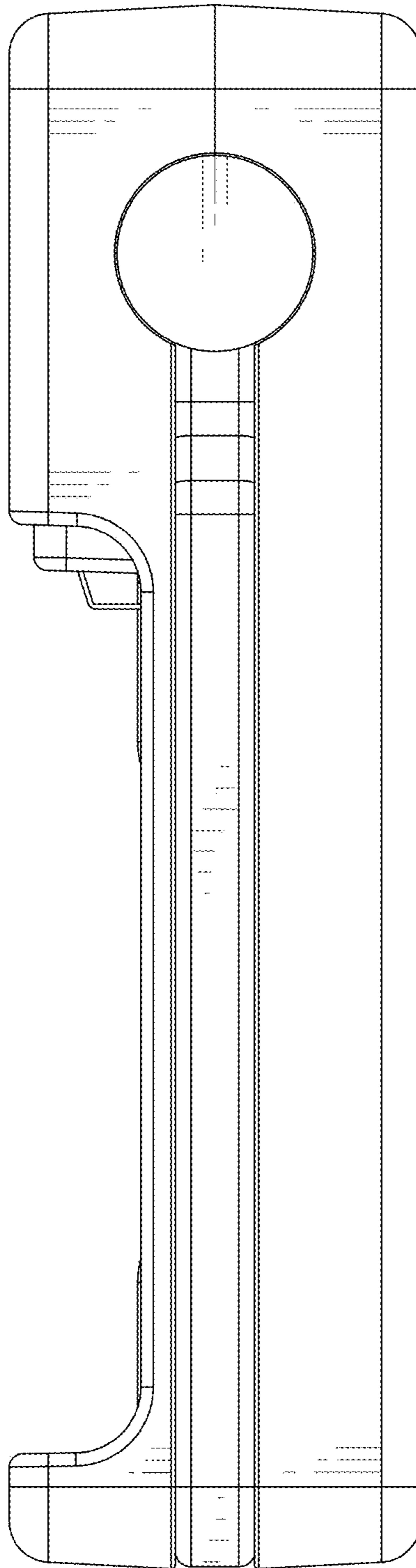


FIG.5

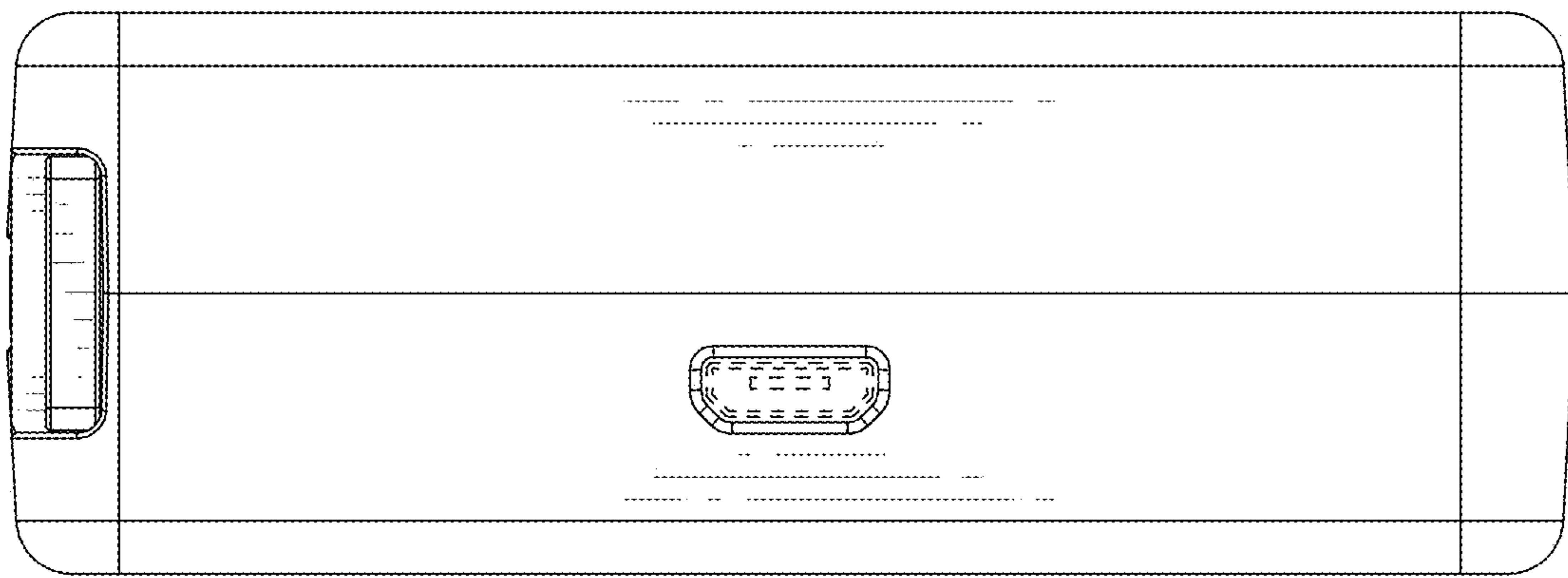


FIG. 6



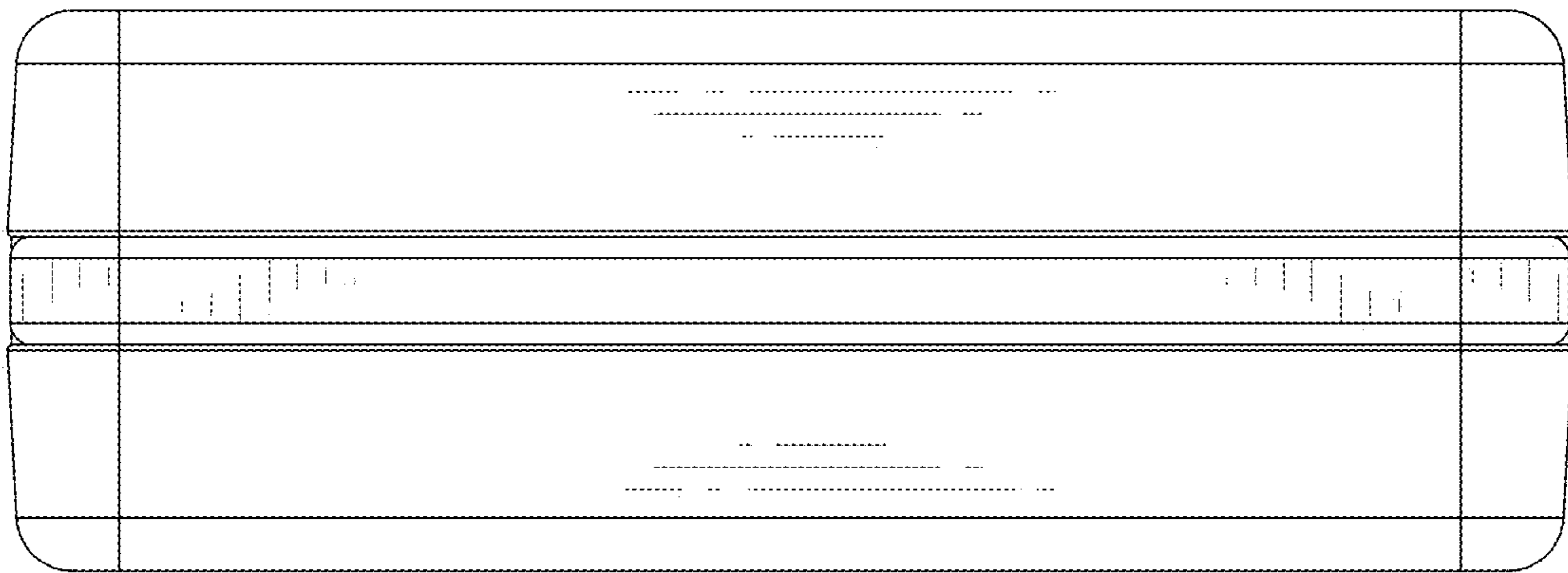


FIG. 7

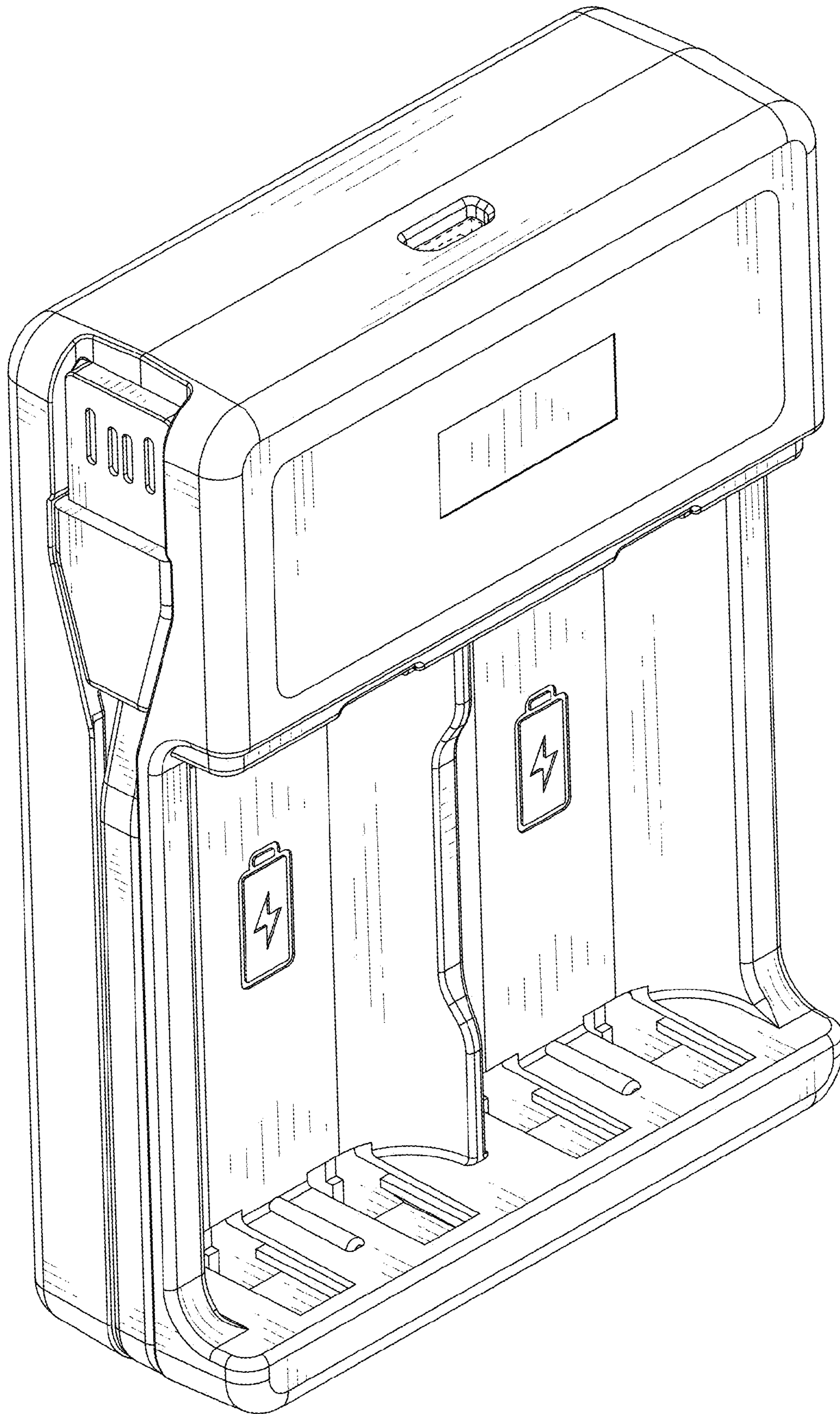


FIG.8

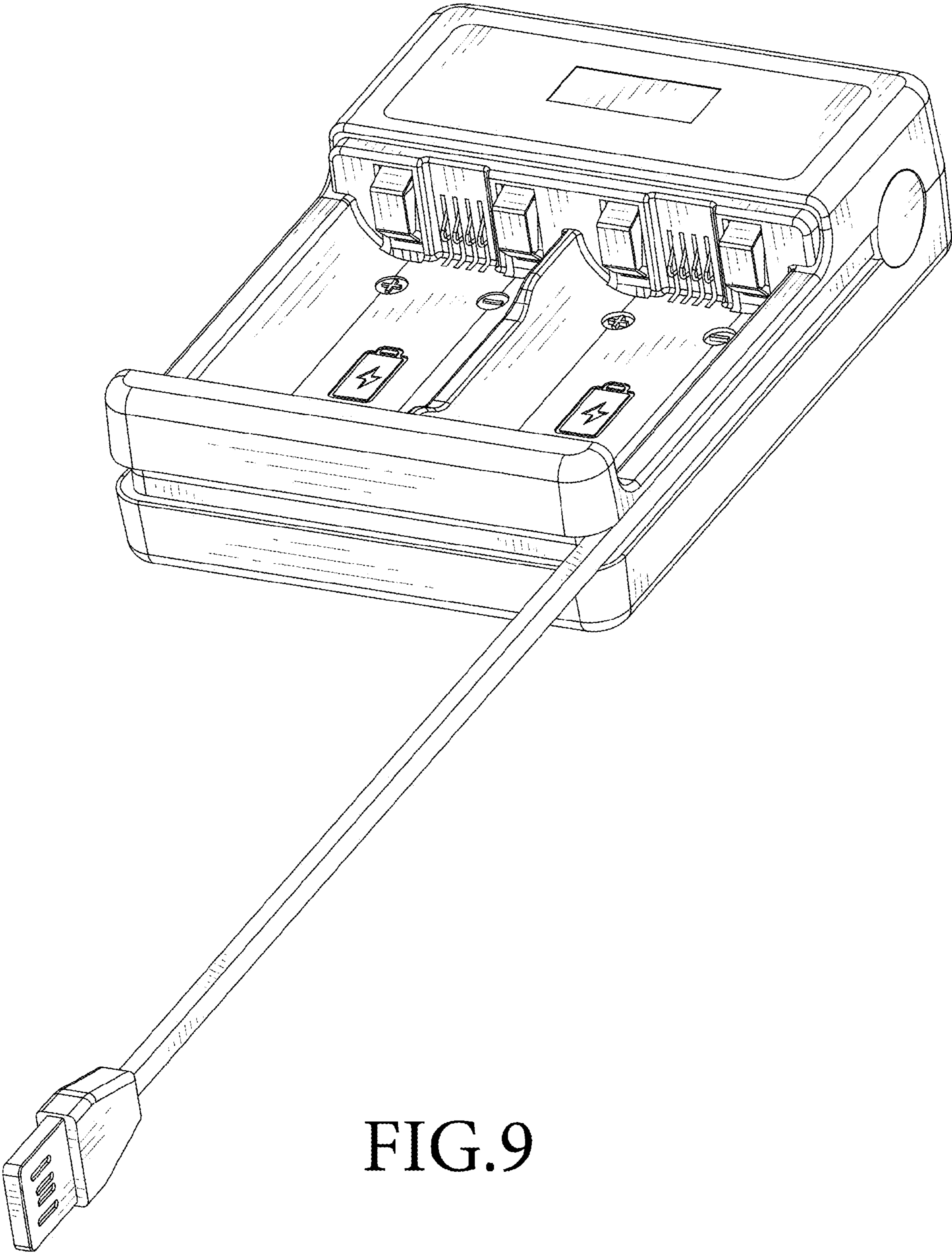


FIG.9

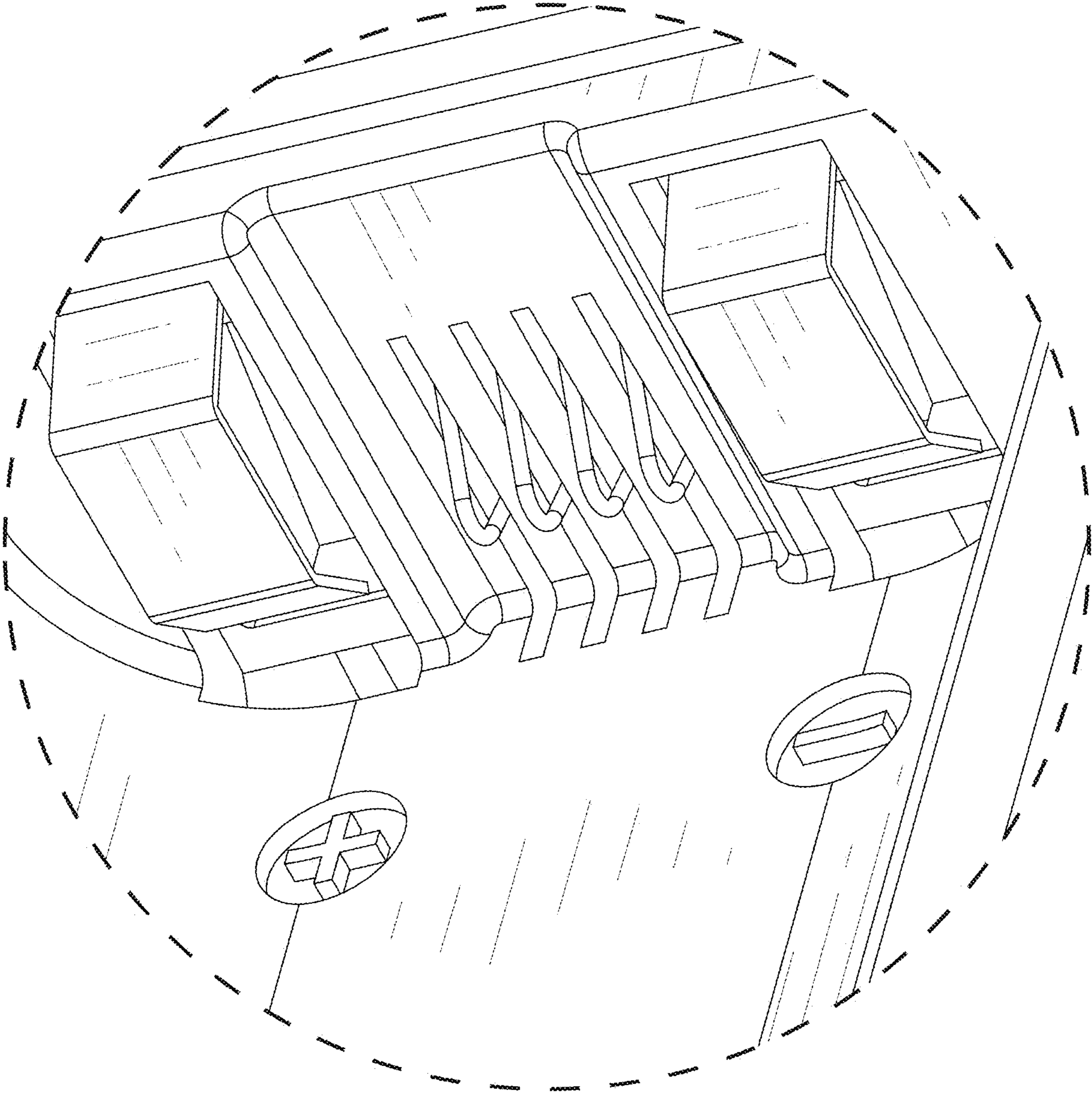


FIG.10