



US00D950484S

(12) **United States Design Patent**  
**Tan**

(10) **Patent No.:** **US D950,484 S**

(45) **Date of Patent:** **\*\* May 3, 2022**

(54) **POWER STATION**

(71) Applicant: **Shenzhen Wuyuan Technology Ltd.**  
**Co., Shenzhen (CN)**

(72) Inventor: **Bing Tan, Shenzhen (CN)**

(73) Assignee: **SHENZHEN WUYUAN**  
**TECHNOLOGY LTD. CO., Shenzhen**  
**(CN)**

(\*\*) Term: **15 Years**

(21) Appl. No.: **29/745,112**

(22) Filed: **Aug. 4, 2020**

(51) **LOC (13) Cl.** ..... **13-02**

(52) **U.S. Cl.**  
USPC ..... **D13/107**

(58) **Field of Classification Search**  
USPC ..... D13/103, 106, 107, 108, 109, 110, 112,  
D13/114, 116, 118, 119, 184, 199  
CPC ..... H01M 10/46; H02J 7/0044; F02B 63/04  
See application file for complete search history.

(56) **References Cited**

**U.S. PATENT DOCUMENTS**

D181,459 S *	11/1957	Bullock	.....	D13/116
D414,461 S *	9/1999	Wang	.....	D13/116
D475,966 S *	6/2003	Chunn	.....	D13/108
D488,127 S *	4/2004	Fan	.....	D13/112
D659,088 S *	5/2012	Steinberg	.....	D13/106
D684,115 S *	6/2013	Inskeep	.....	D13/107
D711,319 S *	8/2014	Wilcox	.....	D13/116
D730,825 S *	6/2015	Wang	.....	D13/109
D871,337 S *	12/2019	Nagasawa	.....	D13/116
D886,047 S *	6/2020	Hung	.....	D13/107
2015/0021305 A1 *	1/2015	Rozmarynowski	....	B23K 9/293 219/130.1
2017/0050258 A1 *	2/2017	Hillen	.....	B23K 9/295
2017/0312845 A1 *	11/2017	Chantry	.....	B23K 9/013

**OTHER PUBLICATIONS**

“Suaoki Portable Power Station”. Found online Aug. 24, 2021 at amazon.com. Reference dated Nov. 19, 2019. Retrieved from https://www.amazon.com/Portable-Station-Generator-Flashlights-Emergency/dp/B076PR4TBZ. (Year: 2019).\*

“Champion Portable Inverter Generator”. Found online Aug. 26, 2021 at amazon.com. Reference dated Jul. 17, 2016. Retrieved from https://www.amazon.com/Champion-3100-Watt-Portable-Inverter-Generator/dp/B00BBDCE1S/ref=as\_sl\_pc\_tf\_til (Year: 2016).\*

“Patriot Power Generator”. Found online Aug. 26, 2021 at accesswire.com. Reference dated Aug. 1, 2014. Retrieved from https://www.accesswire.com/418619/Patriot-Power-Generator-Is-Latest-Product-in-4Patriots-Stable (Year: 2014).\*

\* cited by examiner

*Primary Examiner* — Kendra Leslie Hamilton

*Assistant Examiner* — Amanda Christensen

(74) *Attorney, Agent, or Firm* — Andrew C. Cheng

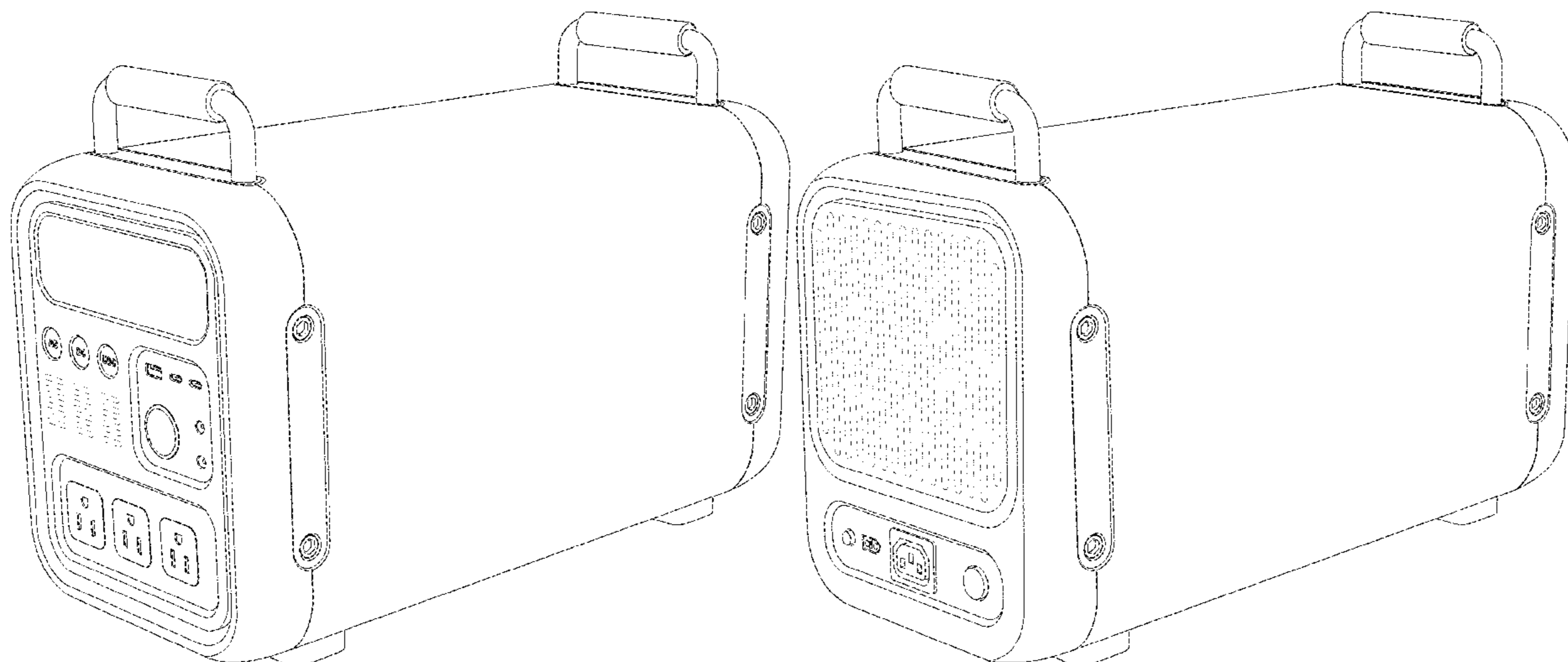
(57) **CLAIM**

I claim the ornamental design for a power station, as shown and described.

**DESCRIPTION**

FIG. 1 is a front view of a power station.  
FIG. 2 is a back view thereof.  
FIG. 3 is a left view thereof.  
FIG. 4 is a right view thereof.  
FIG. 5 is a top view thereof.  
FIG. 6 is a bottom view thereof.  
FIG. 7 is a top, front, left perspective view thereof; and,  
FIG. 8 is a top, back, right perspective view thereof.  
The broken lines in the drawings depict portions of the power station that form no part of the claimed design.

**1 Claim, 8 Drawing Sheets**



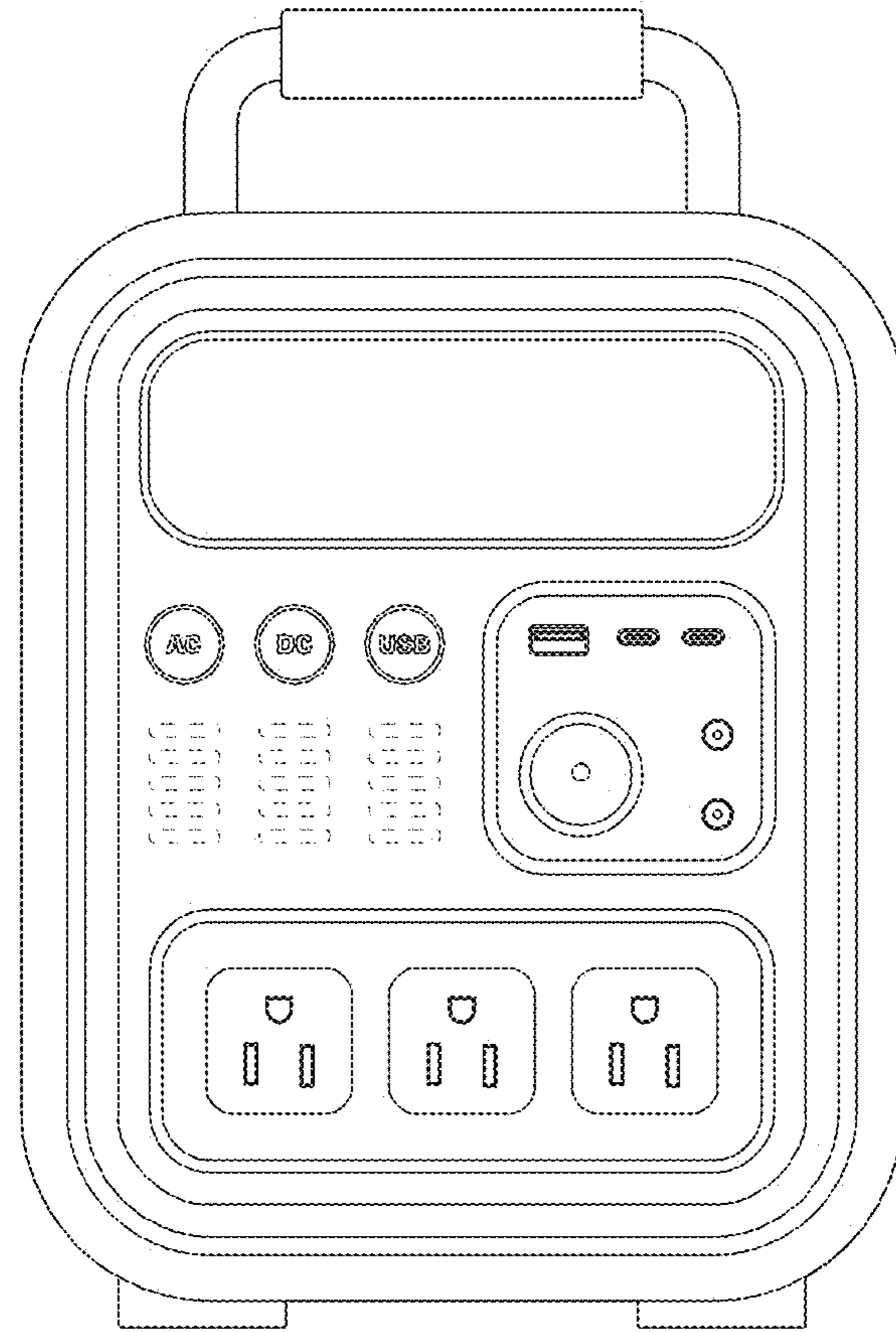


FIG. 1

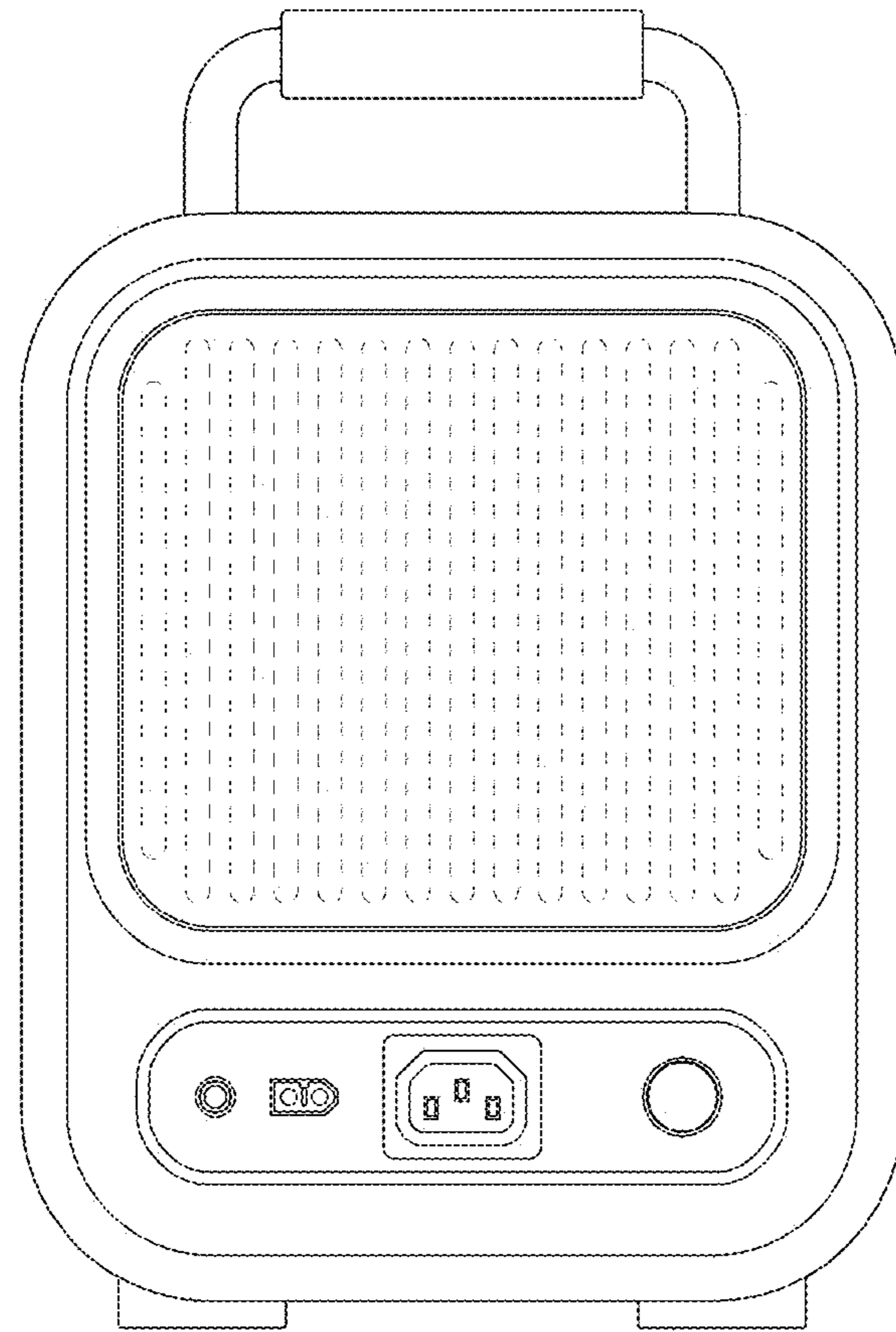


FIG. 2

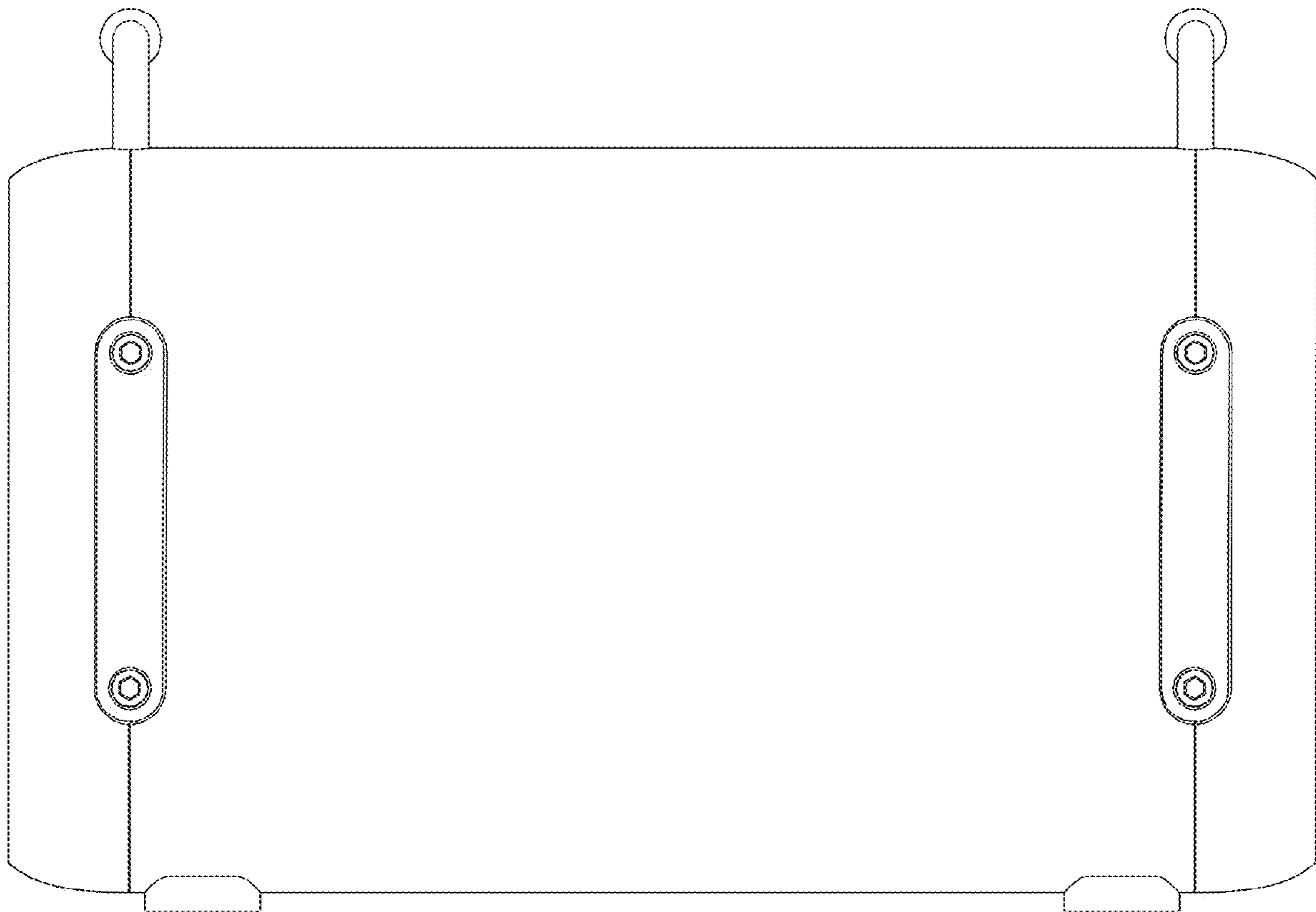


FIG. 3

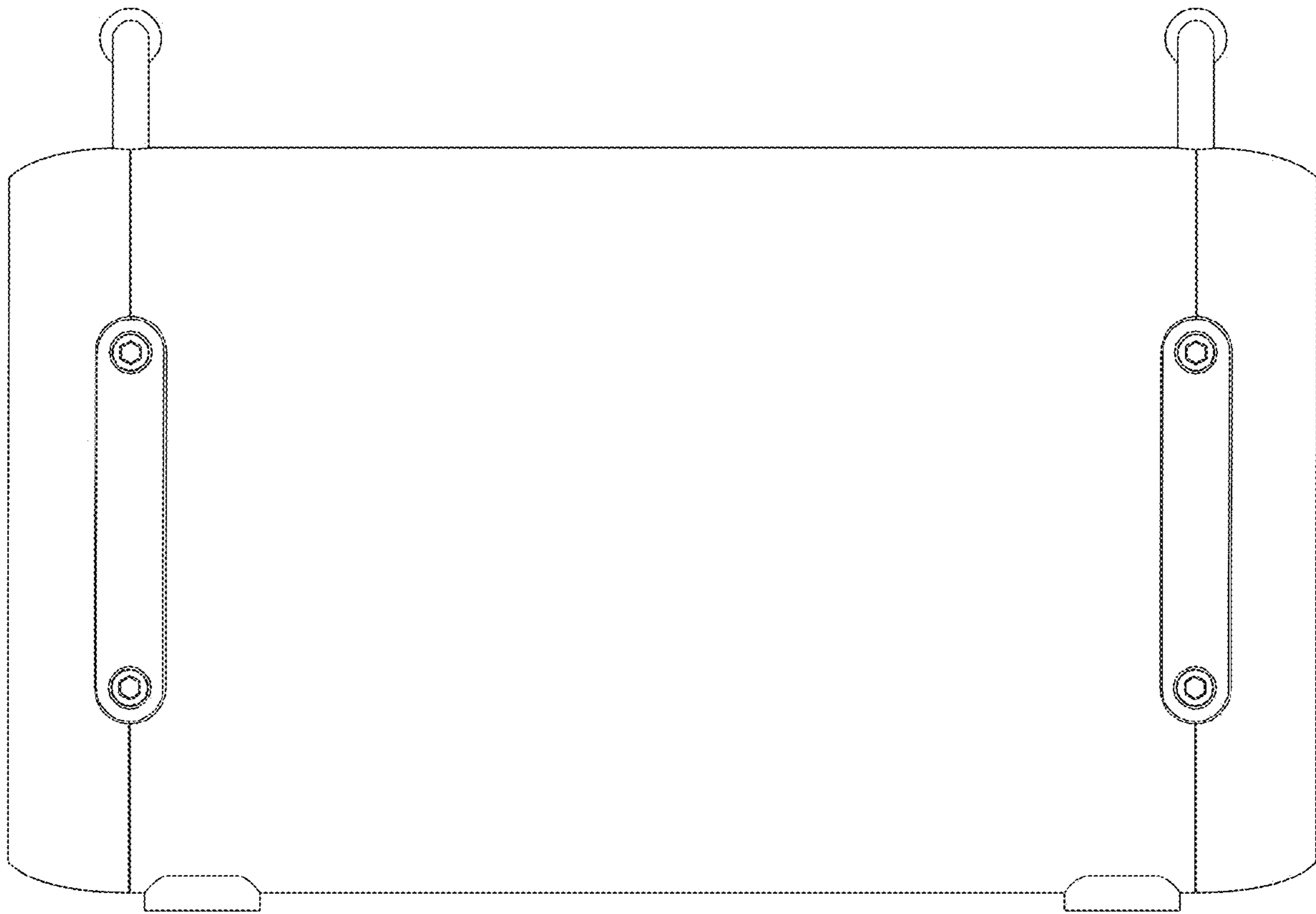


FIG. 4

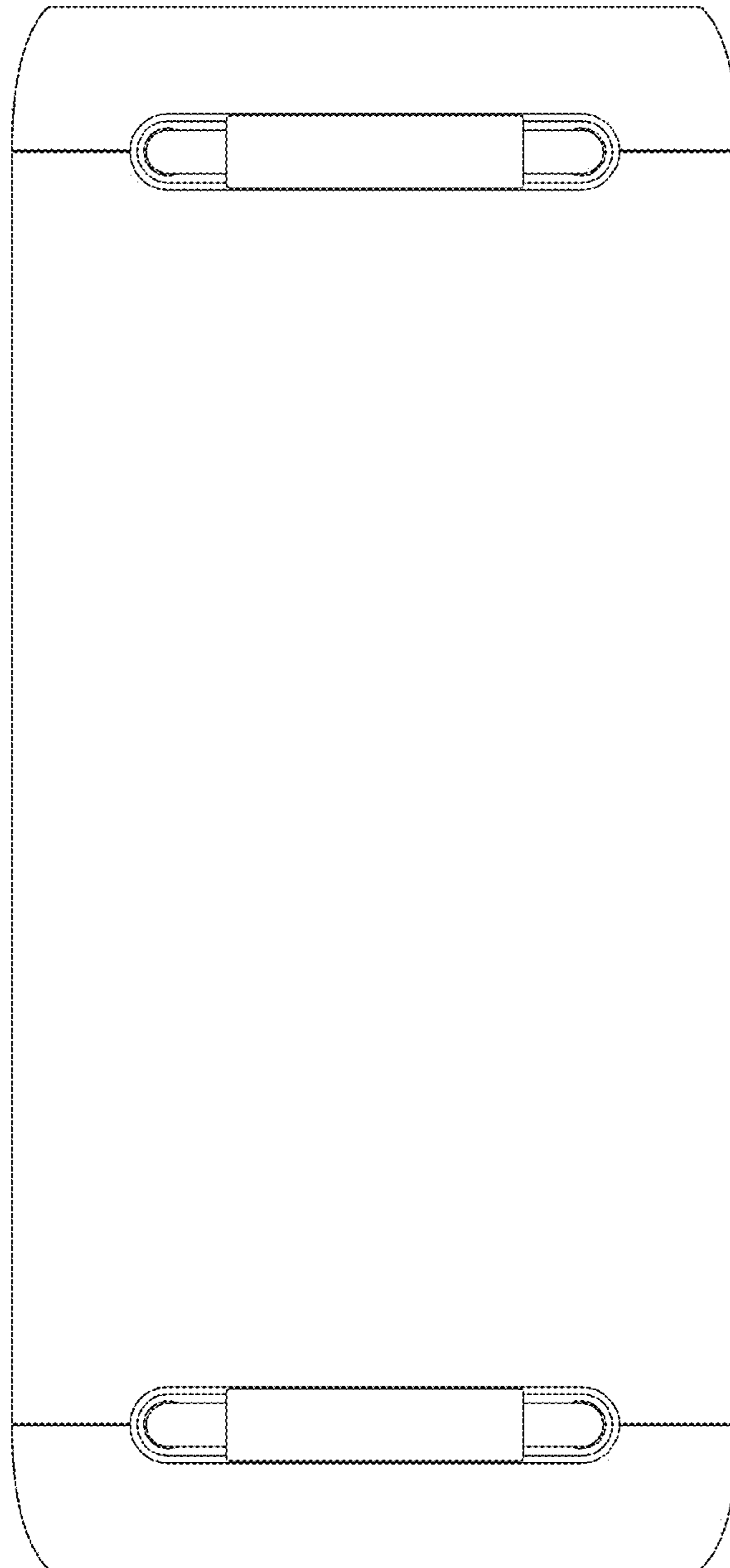


FIG. 5



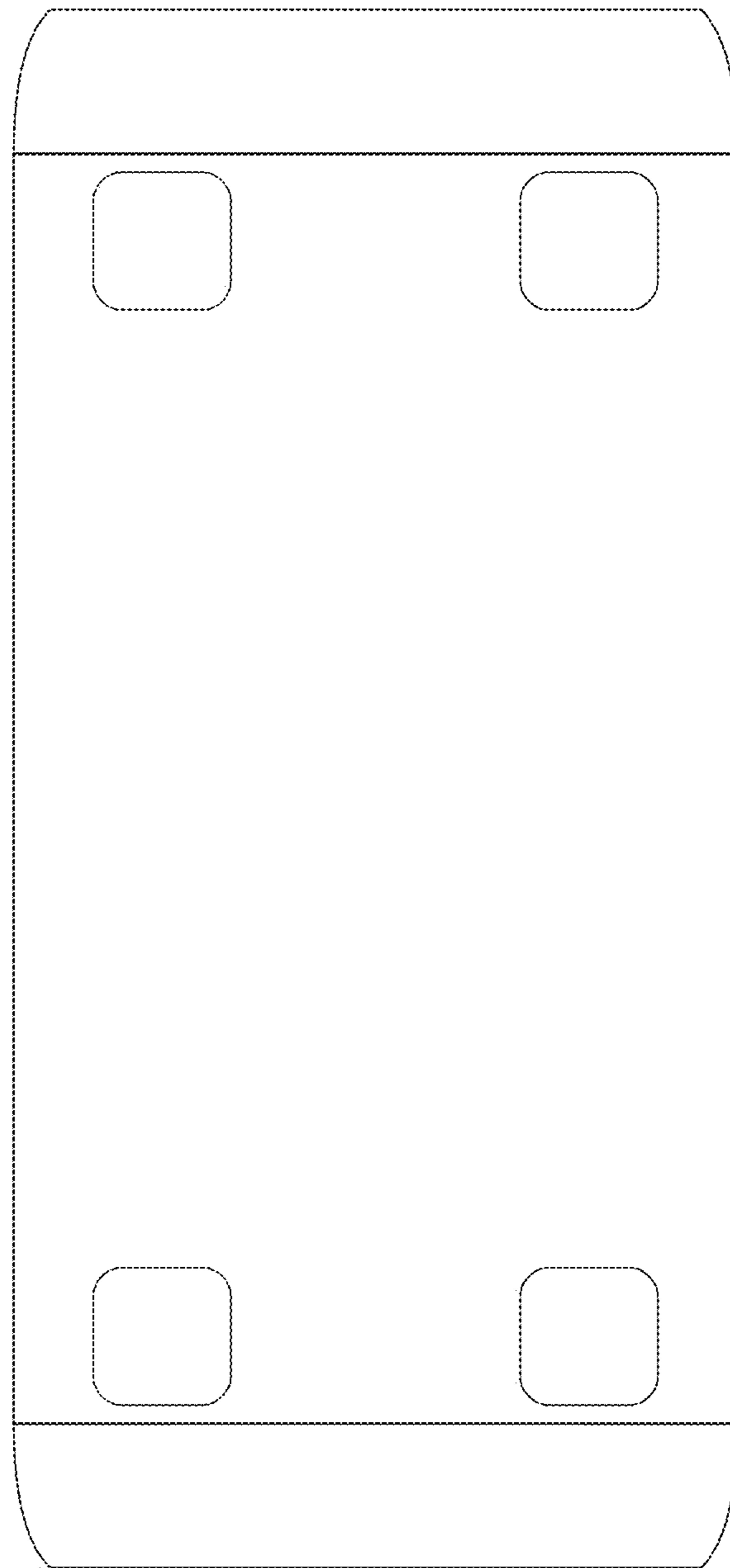


FIG. 6

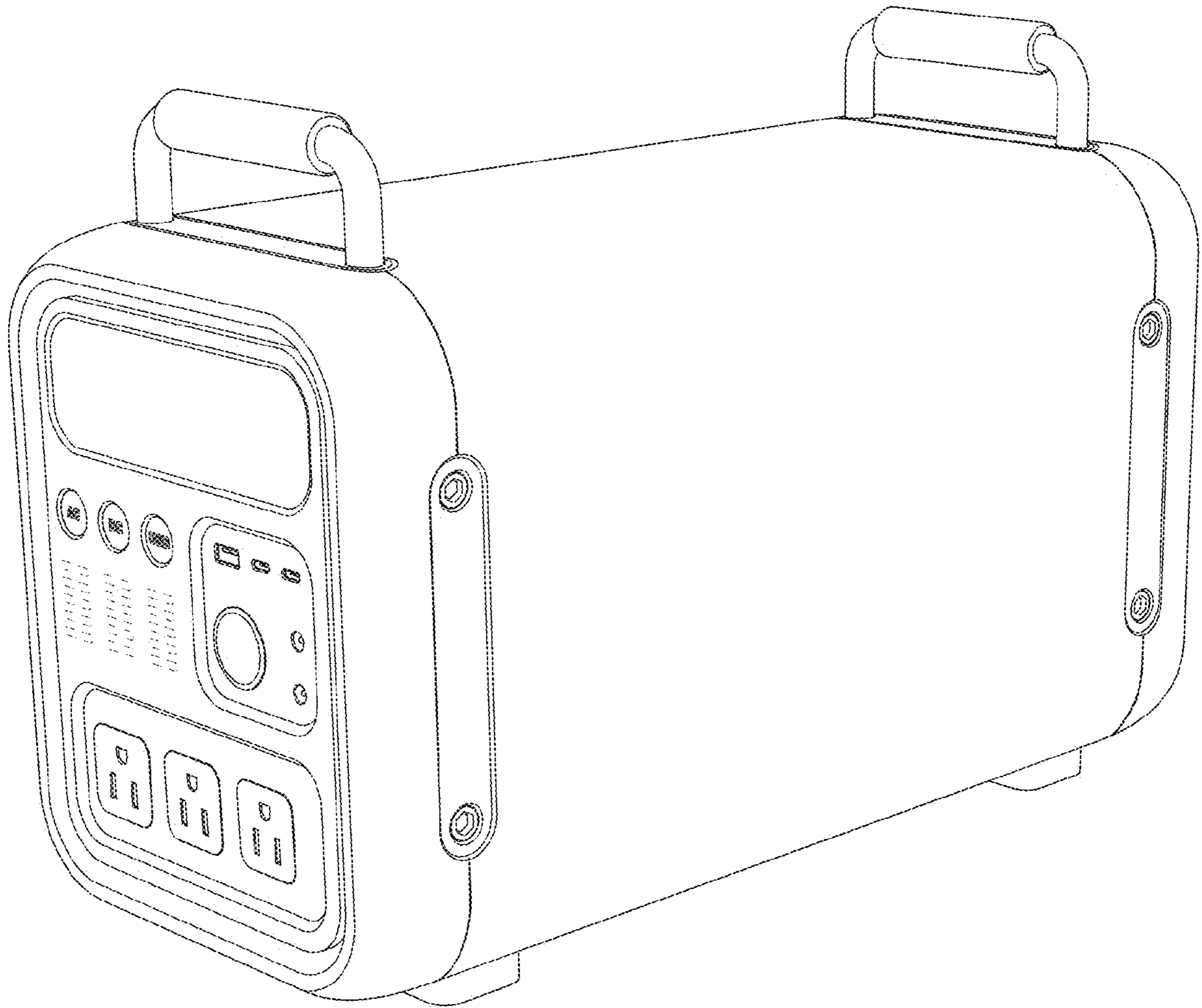


FIG. 7



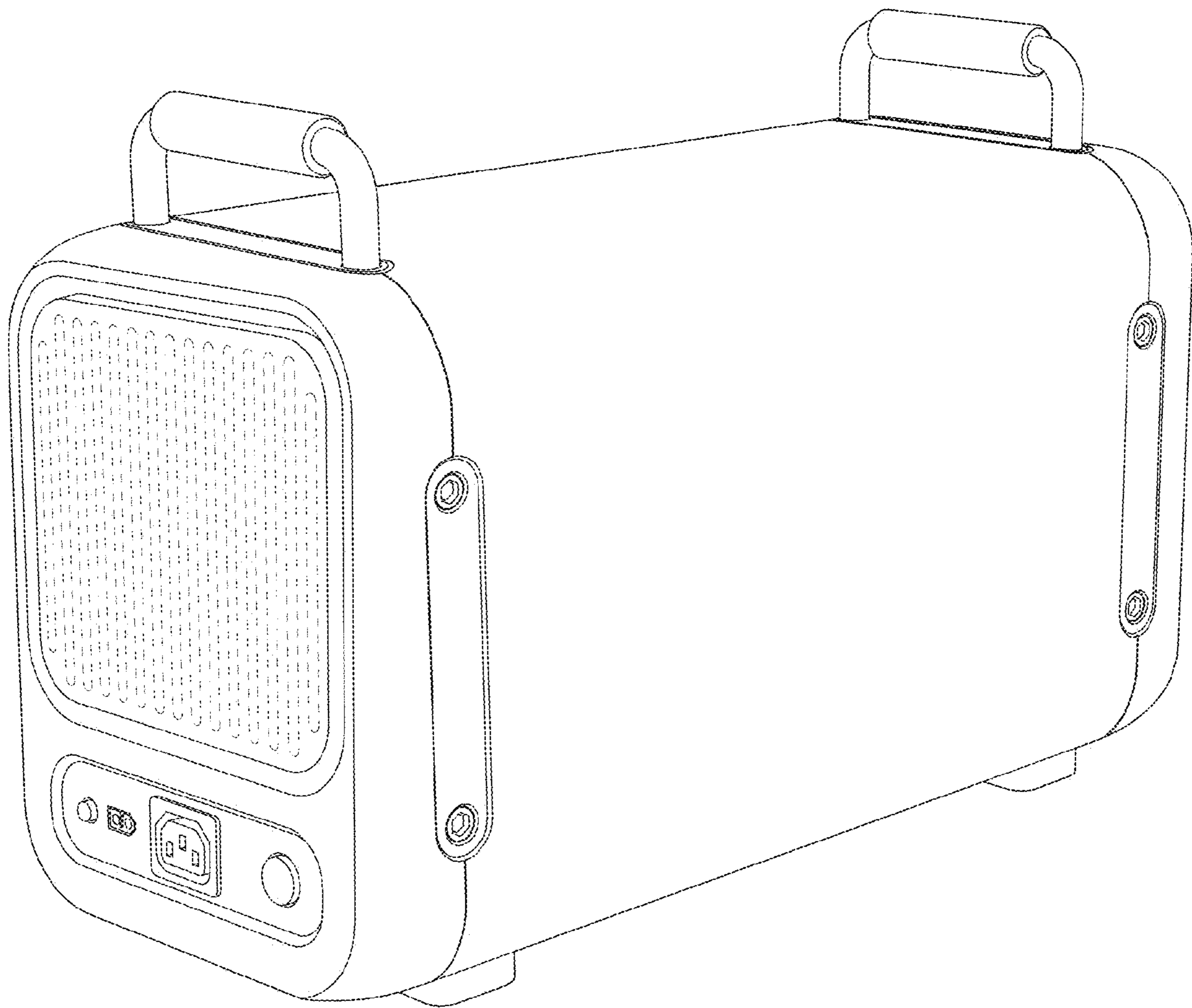


FIG. 8