



US00D950483S

(12) **United States Design Patent**
Yrad, Jr.

(10) **Patent No.:** **US D950,483 S**

(45) **Date of Patent:** **** May 3, 2022**

(54) **BATTERY**

(71) Applicant: **Ridge Tool Company**, Elyria, OH (US)

(72) Inventor: **Billy Odon M. Yrad, Jr.**, Elyria, OH (US)

(73) Assignee: **Ridge Tool Company**, Elyria, OH (US)

(**) Term: **15 Years**

(21) Appl. No.: **29/700,290**

(22) Filed: **Aug. 1, 2019**

(51) **LOC (13) Cl.** **13-02**

(52) **U.S. Cl.**
USPC **D13/103**

(58) **Field of Classification Search**

USPC D13/102-110, 118, 119, 153, 154, 184, D13/199

CPC Y02E 60/10; Y02E 60/12; Y02E 60/122; Y02E 60/124; Y02E 60/50; H01M 2/02; H01M 2/022; H01M 2/0202; H01M 2/0207; H01M 2/0212; H01M 2/1061; H01M 2/1022; H01M 2/1055; H01M 2/1066; H01M 2/105; H01M 2/20; H01M 2/202; H01M 2/204; H01M 2/206; H01M 2200/30; H01M 2250/30; H01M 2250/40; H01M 10/44; H01M 10/46; H01M 10/465; H01M 10/482; H01M 10/4257; H01M 10/0436; H01M 10/48; H01M 10/6235; H02J 7/0034; H02J 7/0054; H02J 7/1423; H02J 7/00; H02J 7/0003; H02J 7/0011; H02J 7/0013; H02J 7/0055; H02J 7/0057; Y02T 10/7005; Y02T 10/705; Y02T 10/7088

See application file for complete search history.

(56) **References Cited**

U.S. PATENT DOCUMENTS

D481,672 S * 11/2003 Niwa D13/103
D504,394 S * 4/2005 Cheung D13/103

D530,270 S * 10/2006 Ozawa D13/103
D544,436 S * 6/2007 Kawahara D13/103
D553,562 S * 10/2007 Okada D13/103
D555,086 S * 11/2007 Zhang D13/103
D568,239 S * 5/2008 Okada D13/103
D579,868 S * 11/2008 Harrison D13/103
D588,986 S * 3/2009 Zhang D13/110
D589,439 S * 3/2009 Van Wambeke D13/103
D589,440 S * 3/2009 Van Wambeke D13/103
D589,441 S * 3/2009 Van Wambeke D13/103
D593,944 S * 6/2009 Smith D13/119
D597,933 S * 8/2009 Aglassinger D13/103
D597,934 S * 8/2009 Aglassinger D13/103
D597,935 S * 8/2009 Aglassinger D13/103
D598,373 S * 8/2009 Aglassinger D13/103
D604,695 S * 11/2009 Aglassinger D13/103
D606,935 S * 12/2009 Murayama D13/103
D622,661 S * 8/2010 Yamada D13/103
D633,036 S * 2/2011 Murray D13/103
D639,730 S * 6/2011 Kawase D13/103

(Continued)

Primary Examiner — Christy Nemeth

(74) *Attorney, Agent, or Firm* — Mark E. Bandy; Rankin Hill & Clark, LLP

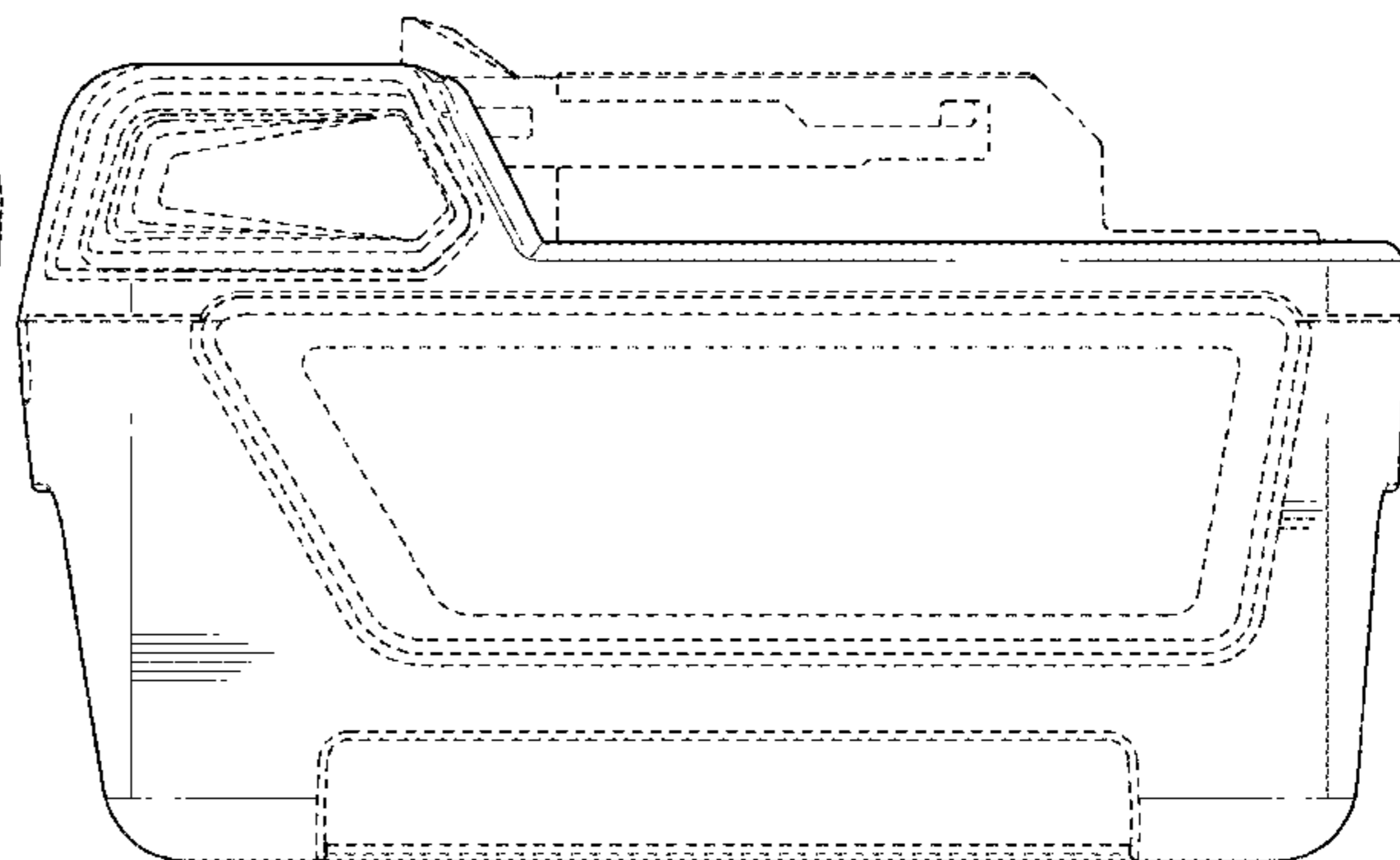
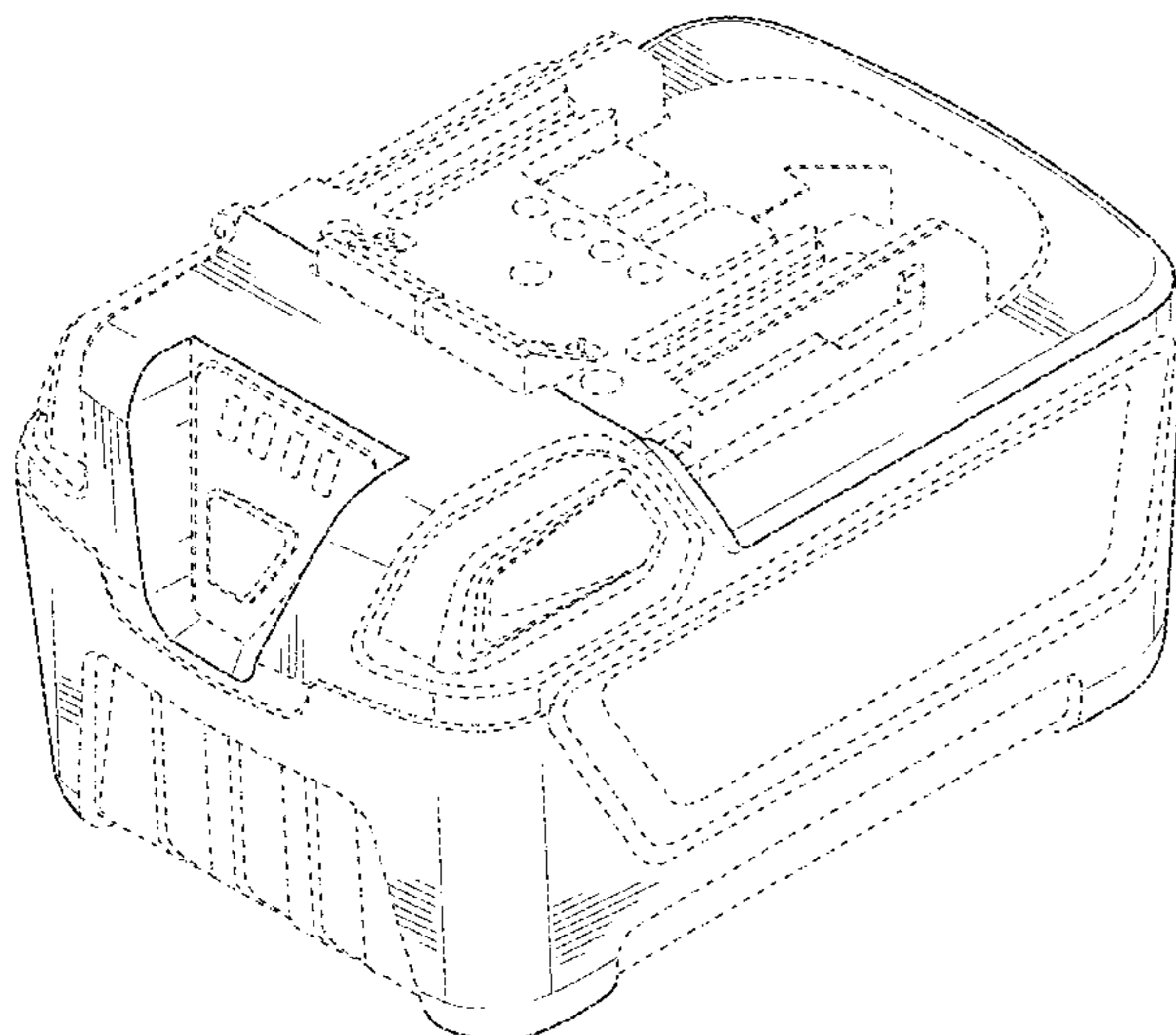
(57) **CLAIM**

The ornamental design for a battery, as shown and described.

DESCRIPTION

FIG. 1 is a front right perspective view of a battery.
FIG. 2 is a rear view of the battery of FIG. 1.
FIG. 3 is a front view of the battery of FIG. 1.
FIG. 4 is a right side view of the battery of FIG. 1.
FIG. 5 is a left side view of the battery of FIG. 1.
FIG. 6 is a top plan view of the battery of FIG. 1; and,
FIG. 7 is a bottom plan view of the battery of FIG. 1.
The broken lines in the drawings are for the purpose of illustrating portions of the article that form no part of the claimed design.

1 Claim, 7 Drawing Sheets



(56)

References Cited

U.S. PATENT DOCUMENTS

D640,190 S * 6/2011 Aglassinger D13/103
 D640,196 S * 6/2011 Shuang D13/103
 D640,197 S * 6/2011 Park D13/103
 D640,628 S * 6/2011 Lopano D13/103
 D640,975 S * 7/2011 Okuda D13/103
 D643,809 S * 8/2011 Okuda D13/103
 D658,578 S * 5/2012 Davis D13/103
 D668,219 S * 10/2012 Zhao D13/107
 D680,064 S * 4/2013 Tirone D13/103
 D682,192 S * 5/2013 Corbin D13/103
 D682,193 S * 5/2013 Corbin D13/103
 D682,194 S * 5/2013 Jiang D13/103
 D684,528 S * 6/2013 Murray D13/103
 D685,730 S * 7/2013 Hamm D13/103
 D692,380 S * 10/2013 Tirone D13/119
 D699,180 S * 2/2014 Sweere D13/103
 D710,794 S * 8/2014 Busschaert D13/103
 D712,826 S * 9/2014 Marino D13/103
 D718,705 S * 12/2014 Naksen D13/103
 D770,377 S * 11/2016 Kondo D13/103
 D780,686 S * 3/2017 Glasow D13/103
 D780,687 S * 3/2017 Taniguchi D13/103
 D780,688 S * 3/2017 Elder D13/103
 D785,562 S * 5/2017 Cooper D13/103
 D797,661 S * 9/2017 Elder D13/103
 D800,650 S * 10/2017 Itoh D13/103
 D800,656 S * 10/2017 Marino D13/119
 D801,917 S * 11/2017 Jiang D13/103
 D801,919 S * 11/2017 Elder D13/103
 D803,777 S * 11/2017 Burchard D13/103
 D812,555 S * 3/2018 Schoch D13/103
 D818,948 S * 5/2018 Waldron D13/103
 D819,562 S * 6/2018 Waldron D13/103
 D826,149 S * 8/2018 Cooper D13/103
 D826,150 S * 8/2018 Cayon D13/103
 D844,558 S * 4/2019 Taniguchi D13/103
 D849,681 S * 5/2019 Howell D13/103
 D856,921 S * 8/2019 Lee D13/103
 D858,432 S * 9/2019 Altenburger D13/103
 D862,382 S * 10/2019 Altenburger D13/103
 D867,279 S * 11/2019 Altenburger D13/103
 D876,340 S * 2/2020 Song D13/103
 D881,119 S * 4/2020 Elder D13/103
 D884,600 S * 5/2020 Zhou D13/103
 D884,601 S * 5/2020 Zhou D13/103
 D887,969 S * 6/2020 Howell D13/103
 D890,692 S * 7/2020 Elder D13/103
 D891,363 S * 7/2020 Roberts D13/103
 D893,411 S * 8/2020 Roberts D13/103
 D893,413 S * 8/2020 Grulke D13/103

D894,118 S * 8/2020 Liu D13/103
 D894,120 S * 8/2020 Timm D13/103
 D894,827 S * 9/2020 Watson D13/103
 D897,948 S * 10/2020 Yrad, Jr. H01R 27/00
 D13/107
 D898,662 S * 10/2020 Waldron D13/103
 D902,147 S * 11/2020 Stray D13/103
 D909,290 S * 2/2021 Hasenmayer D13/103
 D911,267 S * 2/2021 Matteo D13/103
 D911,268 S * 2/2021 Matteo D13/103
 D911,269 S * 2/2021 Matteo D13/103
 D911,922 S * 3/2021 Watson D13/103
 D911,931 S * 3/2021 Li D13/103
 D919,560 S * 5/2021 Taniguchi D13/103
 D922,939 S * 6/2021 Ye D13/103
 D922,940 S * 6/2021 Ye D13/103
 D924,791 S * 7/2021 Yrad, Jr. D13/103
 D924,793 S * 7/2021 Qiu D13/103
 D924,794 S * 7/2021 Kuang D13/103
 D924,795 S * 7/2021 Zhong D13/103
 D925,442 S * 7/2021 Howell D13/103
 D926,674 S * 8/2021 Willey D13/103
 11,095,136 B2 * 8/2021 Geng H02J 7/02
 D931,199 S * 9/2021 Gallagher D13/103
 D931,801 S * 9/2021 Timm D13/103
 11,126,804 B2 * 9/2021 Huggins H05K 5/0017
 D935,996 S * 11/2021 Okuda D13/103
 D937,760 S * 12/2021 Chandrasekharan D13/103
 D937,761 S * 12/2021 Chandrasekharan D13/103
 D940,648 S * 1/2022 Taylor D13/103
 2016/0072106 A1 * 3/2016 Baumgartner H02J 7/00
 320/113
 2016/0240901 A1 * 8/2016 Kondo H01M 10/6235
 2016/0241065 A1 * 8/2016 Kondo H01M 50/20
 2017/0012272 A1 * 1/2017 Naito H01R 33/765
 2018/0069208 A1 * 3/2018 Rejman H01M 50/24
 2018/0198101 A1 * 7/2018 Sheeks H02J 7/0091
 2018/0198292 A1 * 7/2018 Lee H01M 10/46
 2018/0198293 A1 * 7/2018 Osborne H01M 10/441
 2019/0280501 A1 * 9/2019 Kondo H02J 7/007194
 2019/0312242 A1 * 10/2019 Barton B25F 5/02
 2020/0127339 A1 * 4/2020 Nakano H01M 50/247
 2020/0176731 A1 * 6/2020 Taga H01M 10/482
 2020/0227695 A1 * 7/2020 Jones H01M 10/4257
 2020/0321576 A1 * 10/2020 Nagahama H01M 50/20
 2020/0350635 A1 * 11/2020 Counts H01M 50/54
 2020/0395641 A1 * 12/2020 Suzuki H01M 10/0463
 2021/0083237 A1 * 3/2021 Cherry B25F 5/02
 2021/0143506 A1 * 5/2021 Bhuiyan H01M 50/247
 2021/0305661 A1 * 9/2021 Gyoda H01M 50/519
 2021/0328280 A1 * 10/2021 Cruise H01M 50/284

* cited by examiner

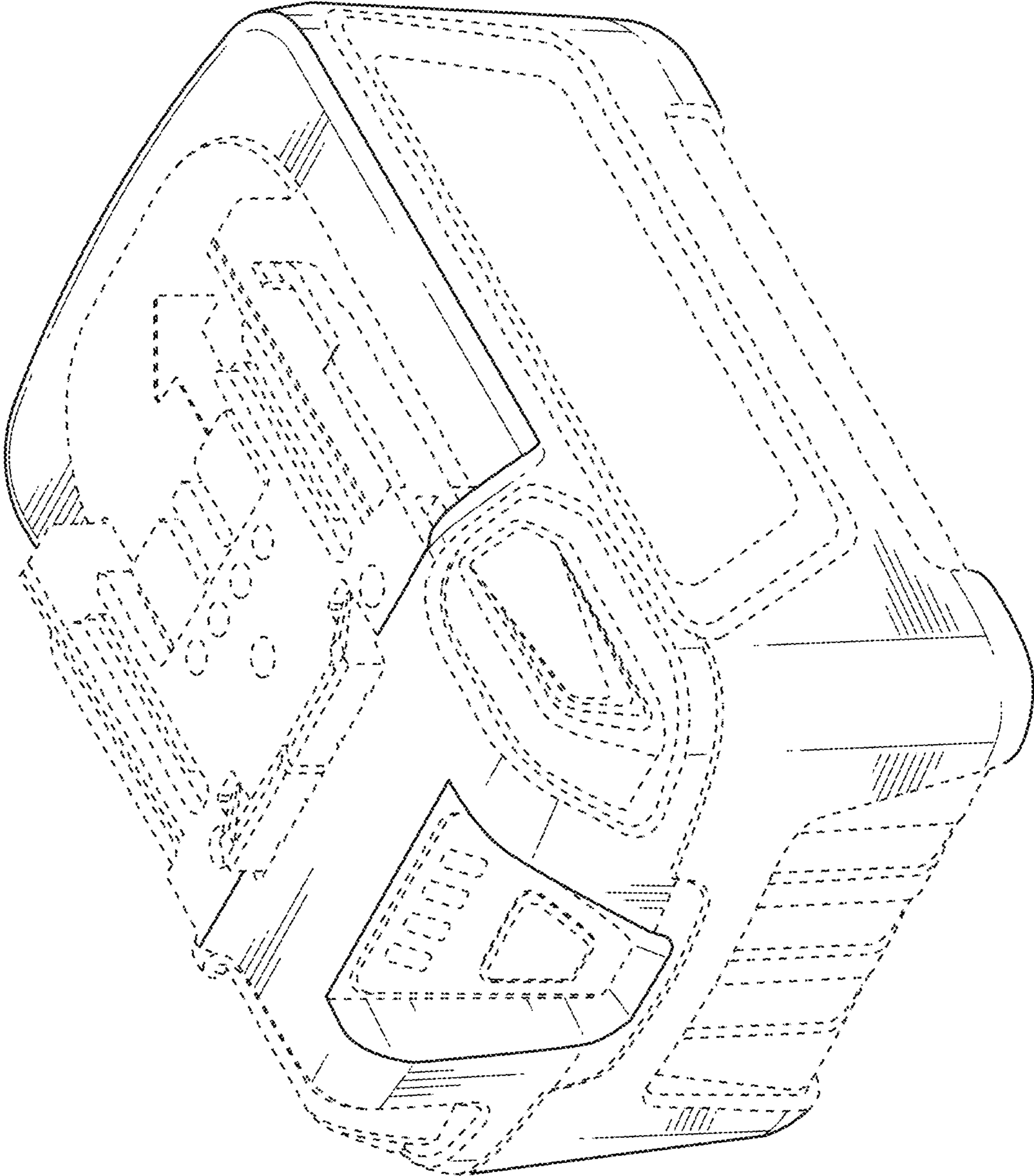


FIG. 1

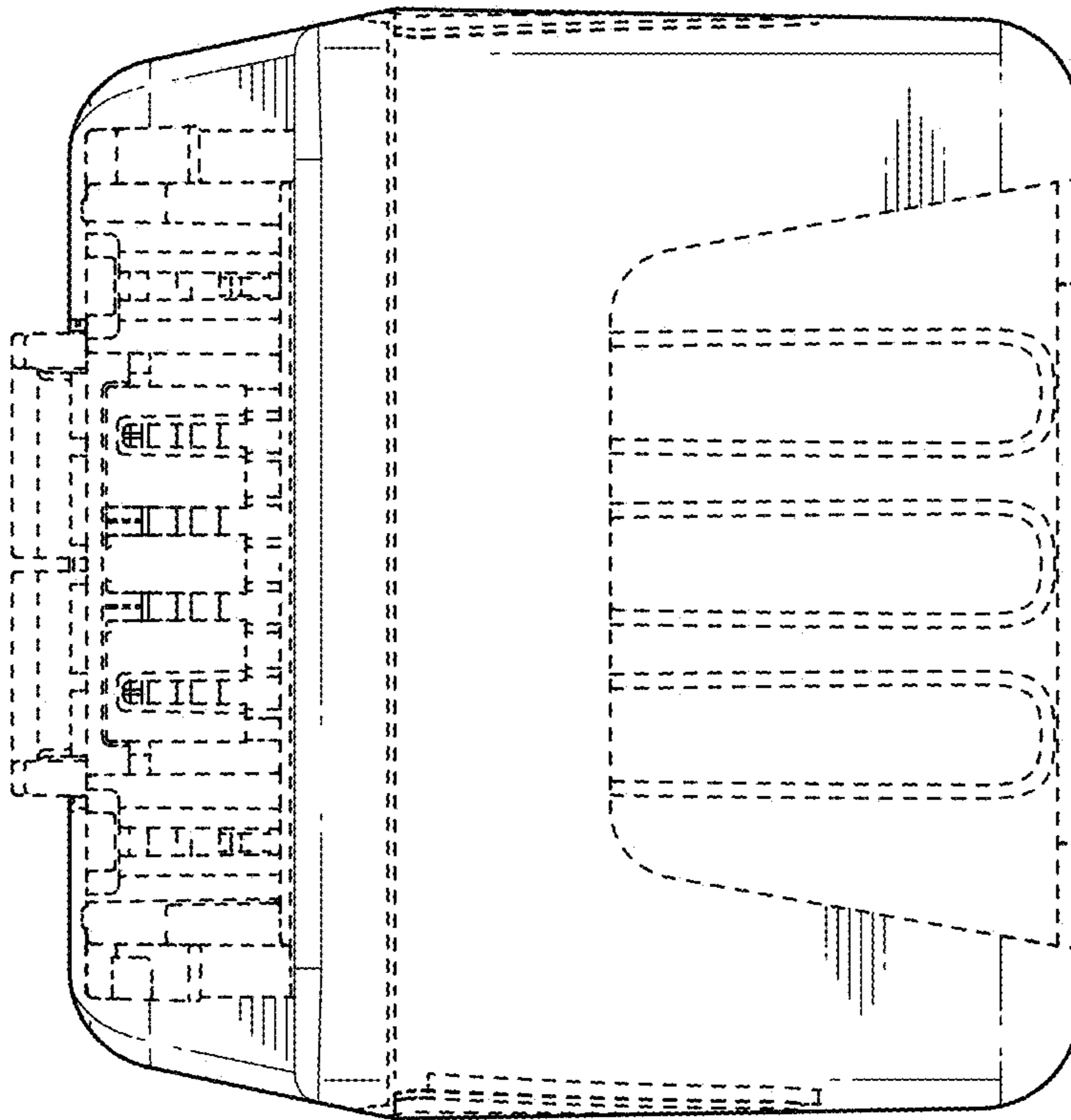


FIG. 2

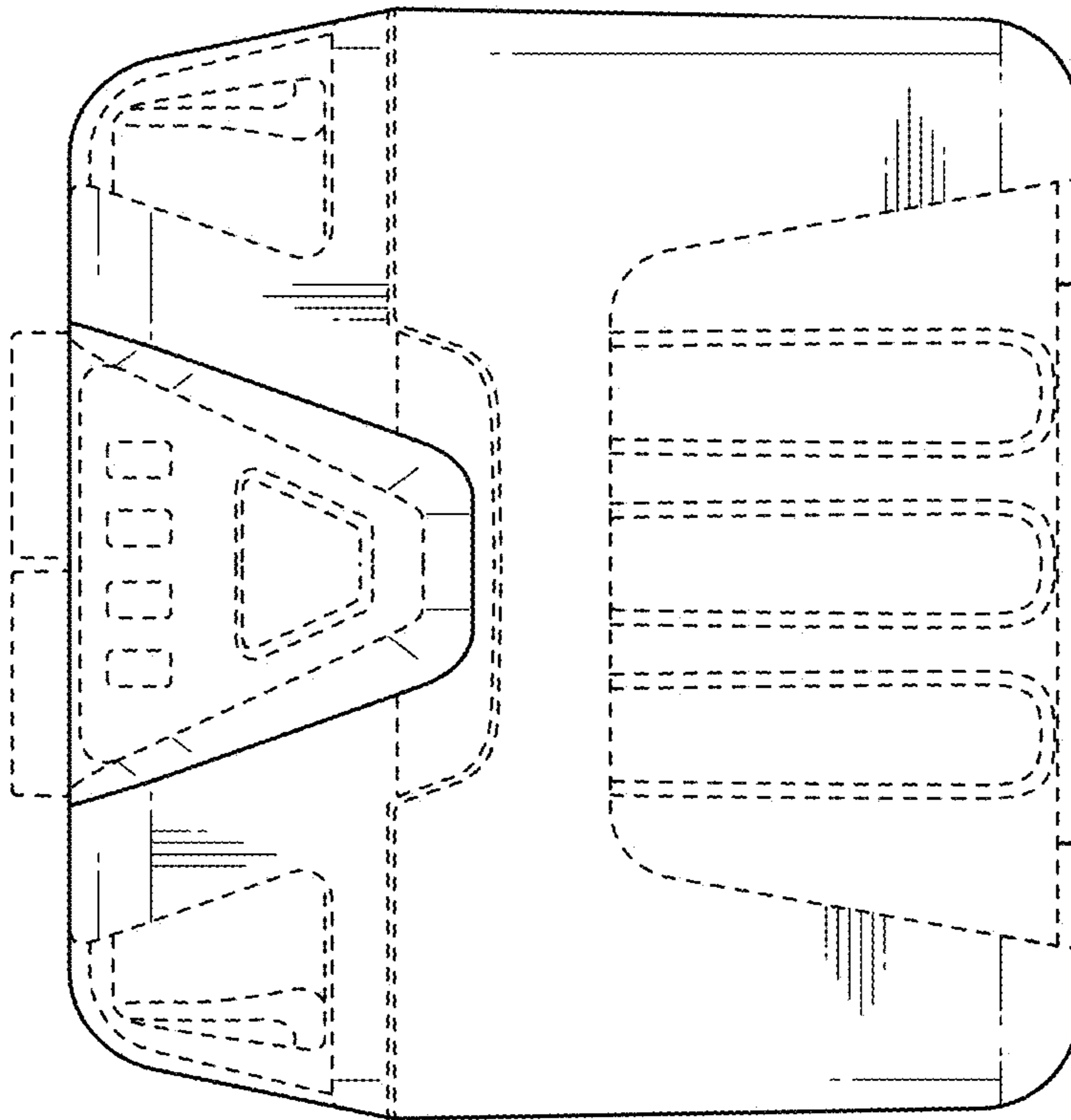


FIG. 3

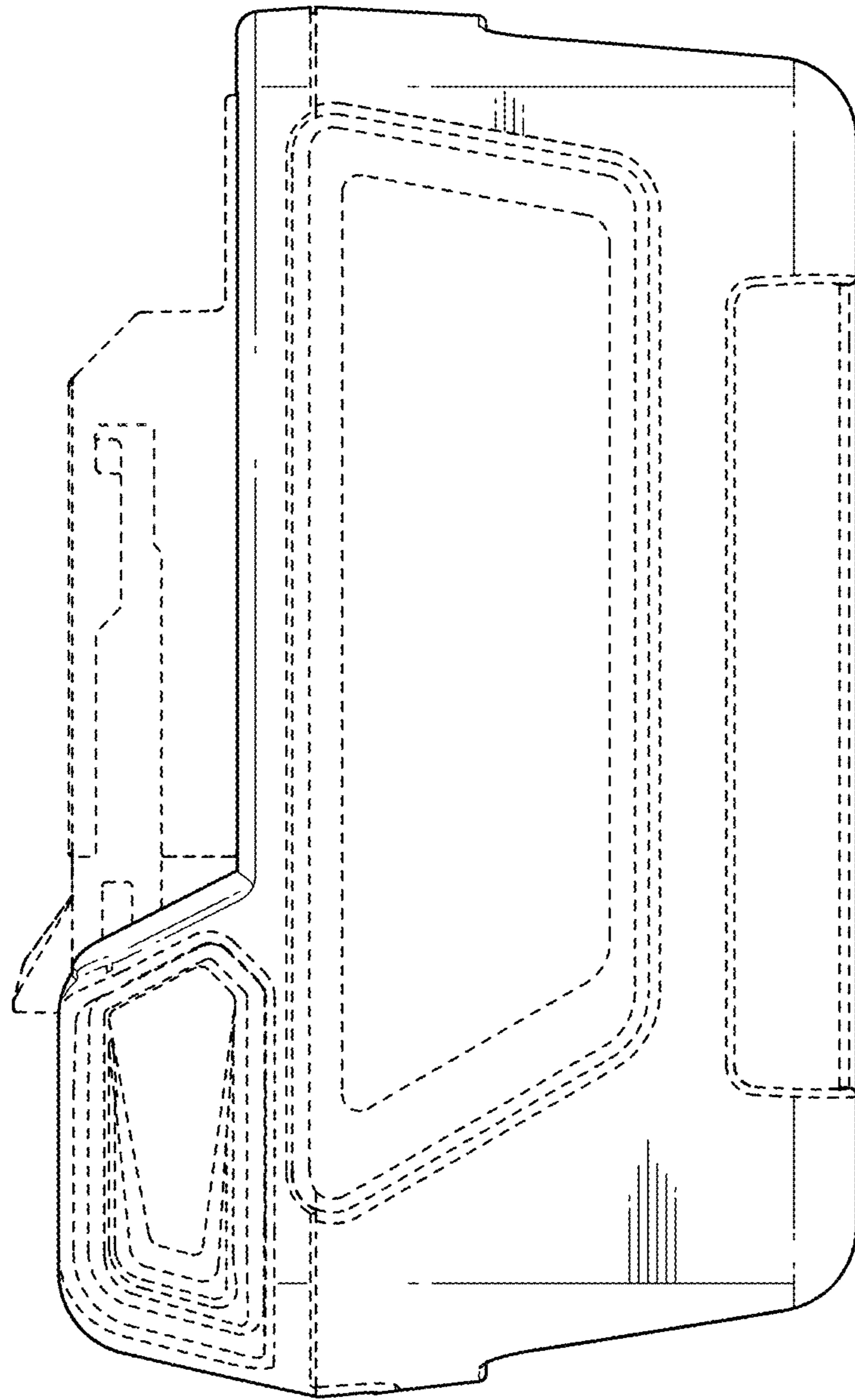


FIG. 4

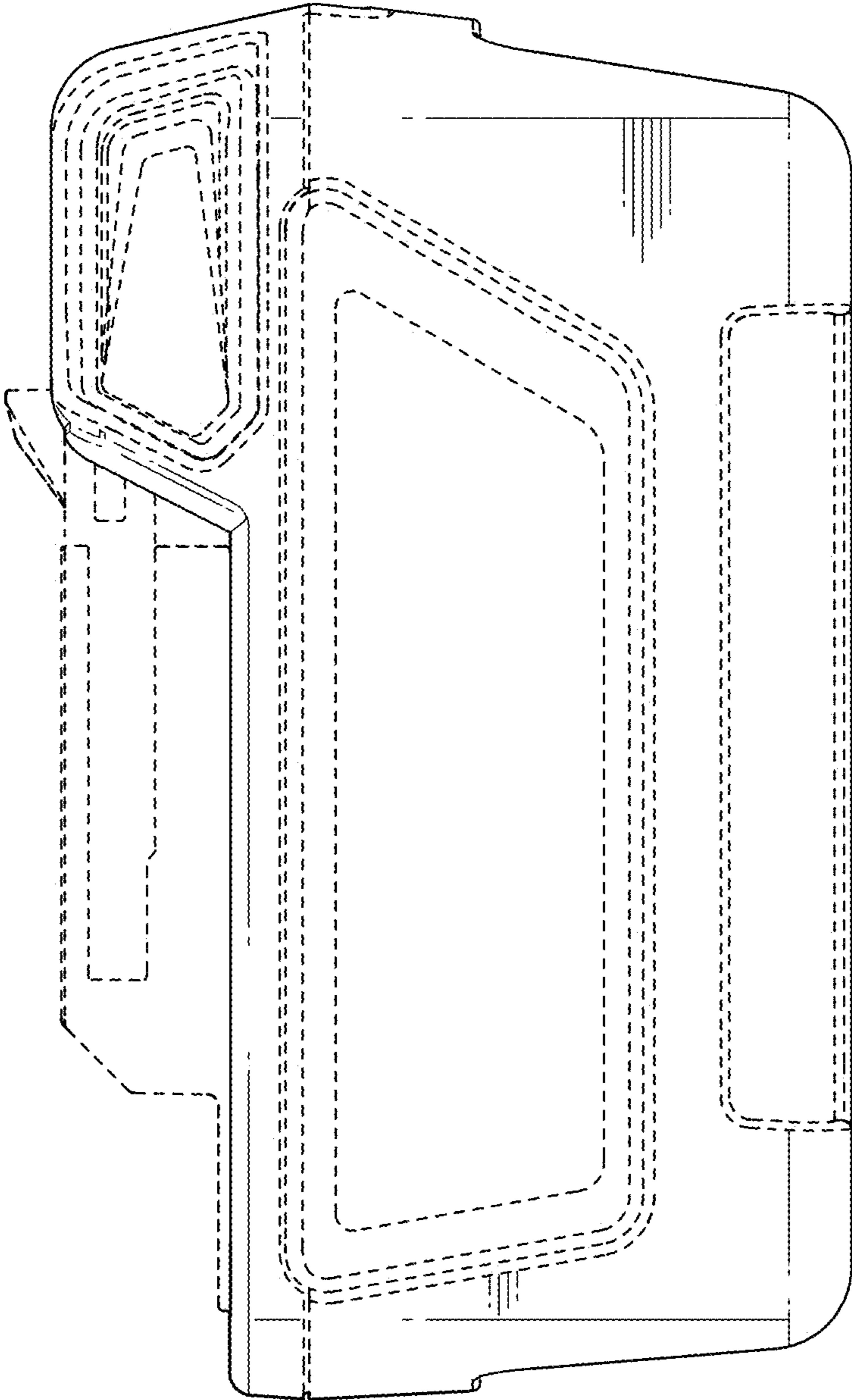


FIG. 5

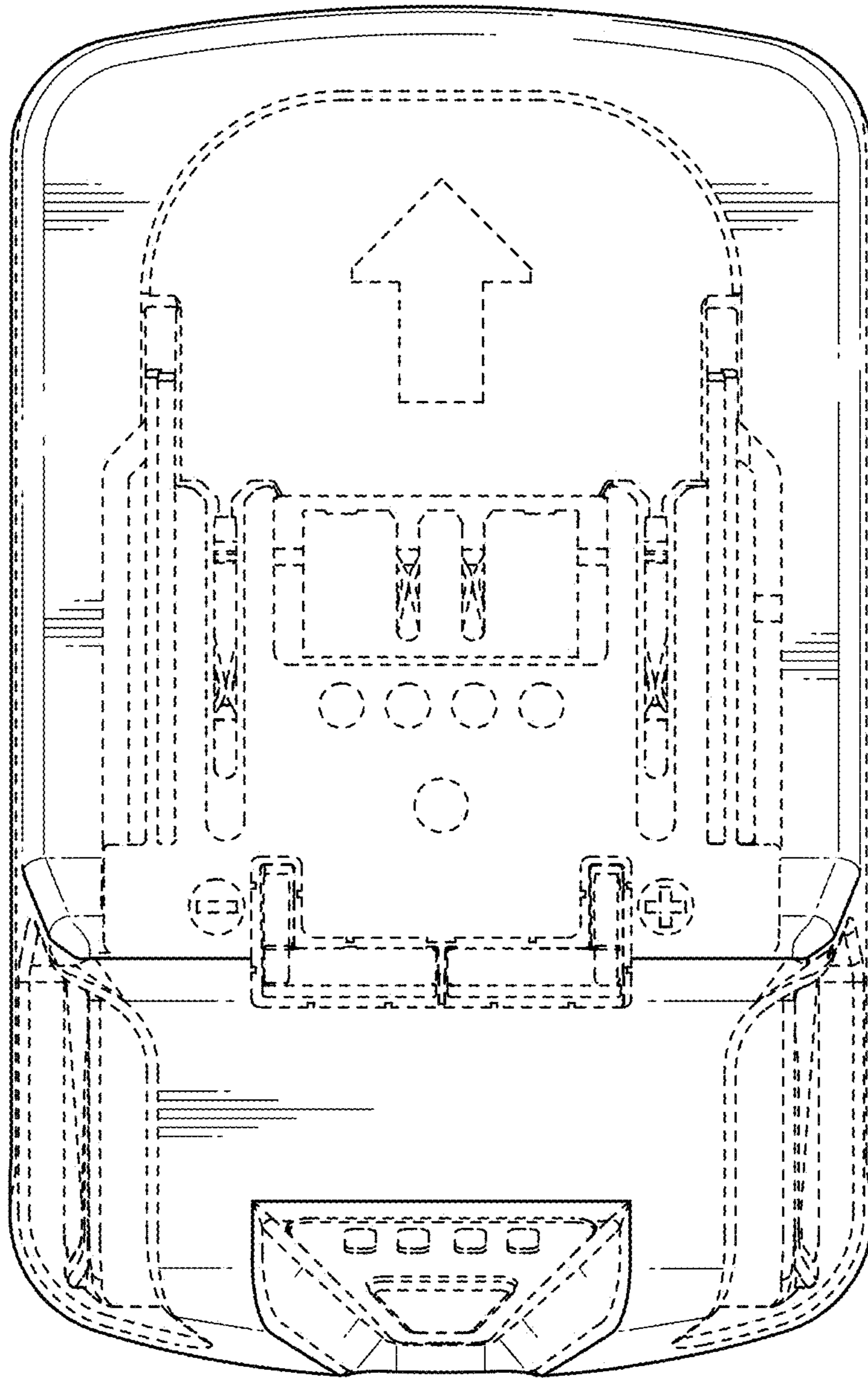


FIG. 6

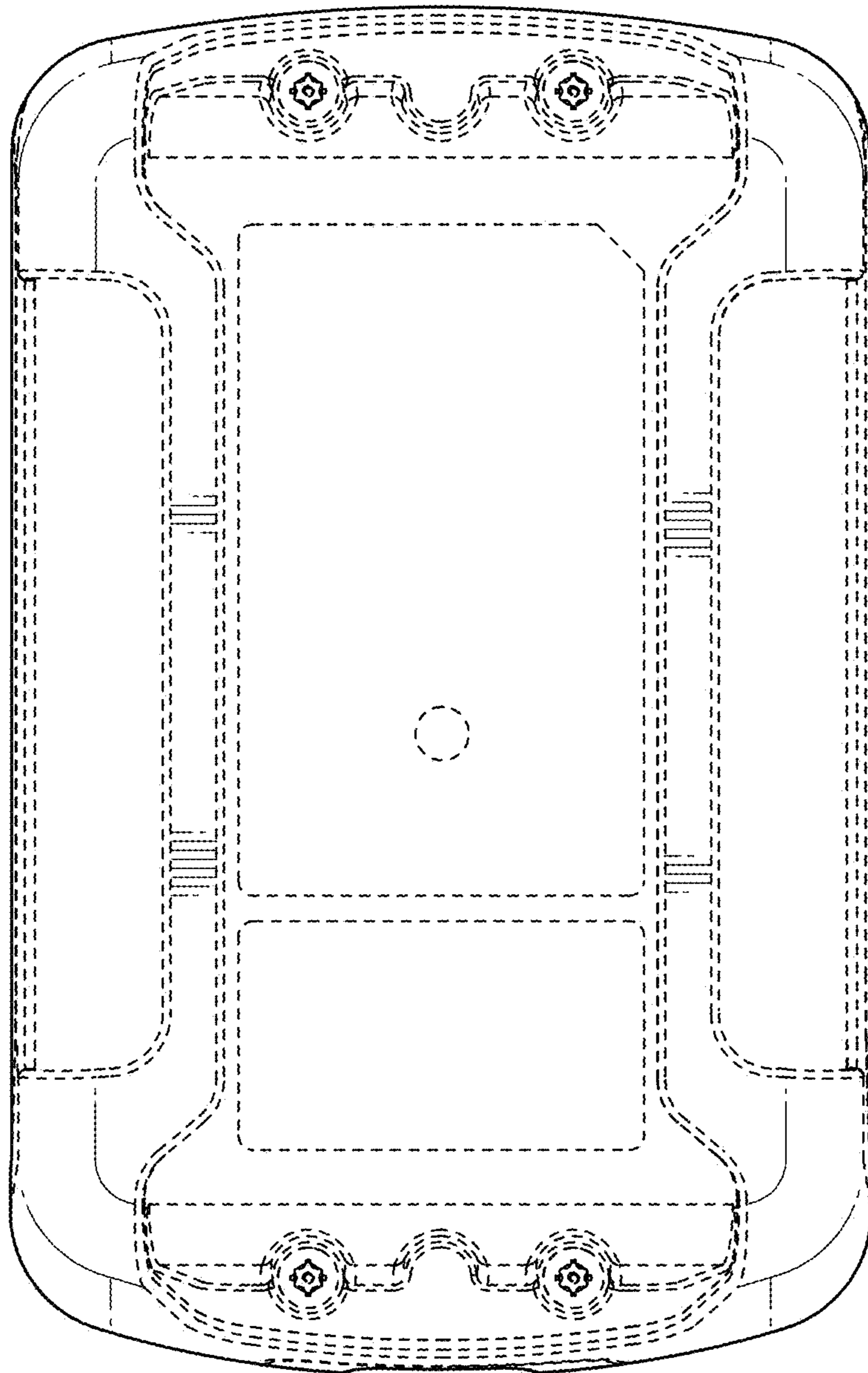


FIG. 7