



US00D950476S

(12) **United States Design Patent**
Gan

(10) **Patent No.:** **US D950,476 S**

(45) **Date of Patent:** **** May 3, 2022**

(54) **STORAGE BOX FOR VEHICLE**
(71) Applicant: **YuTing Gan**, Shenzhen (CN)
(72) Inventor: **YuTing Gan**, Shenzhen (CN)
(**) Term: **15 Years**

D940,057 S * 1/2022 Guo D12/425
D942,366 S * 2/2022 Liang D12/425
2017/0143135 A1* 5/2017 Christopherson A47D 1/008
2021/0316866 A1* 10/2021 Carlioz B64D 11/0605

* cited by examiner

Primary Examiner — Katrina A Betton

(21) Appl. No.: **29/786,315**
(22) Filed: **May 31, 2021**
(51) **LOC (13) Cl.** **12-16**
(52) **U.S. Cl.**
USPC **D12/425**
(58) **Field of Classification Search**
USPC D12/425, 400, 406, 415-420, 424, 426
CPC B63B 25/00; B63B 7/085; B63B 35/00;
B63B 17/00; B60R 16/04
See application file for complete search history.

(57) **CLAIM**

The ornamental design for a storage box for vehicle, as shown and described.

DESCRIPTION

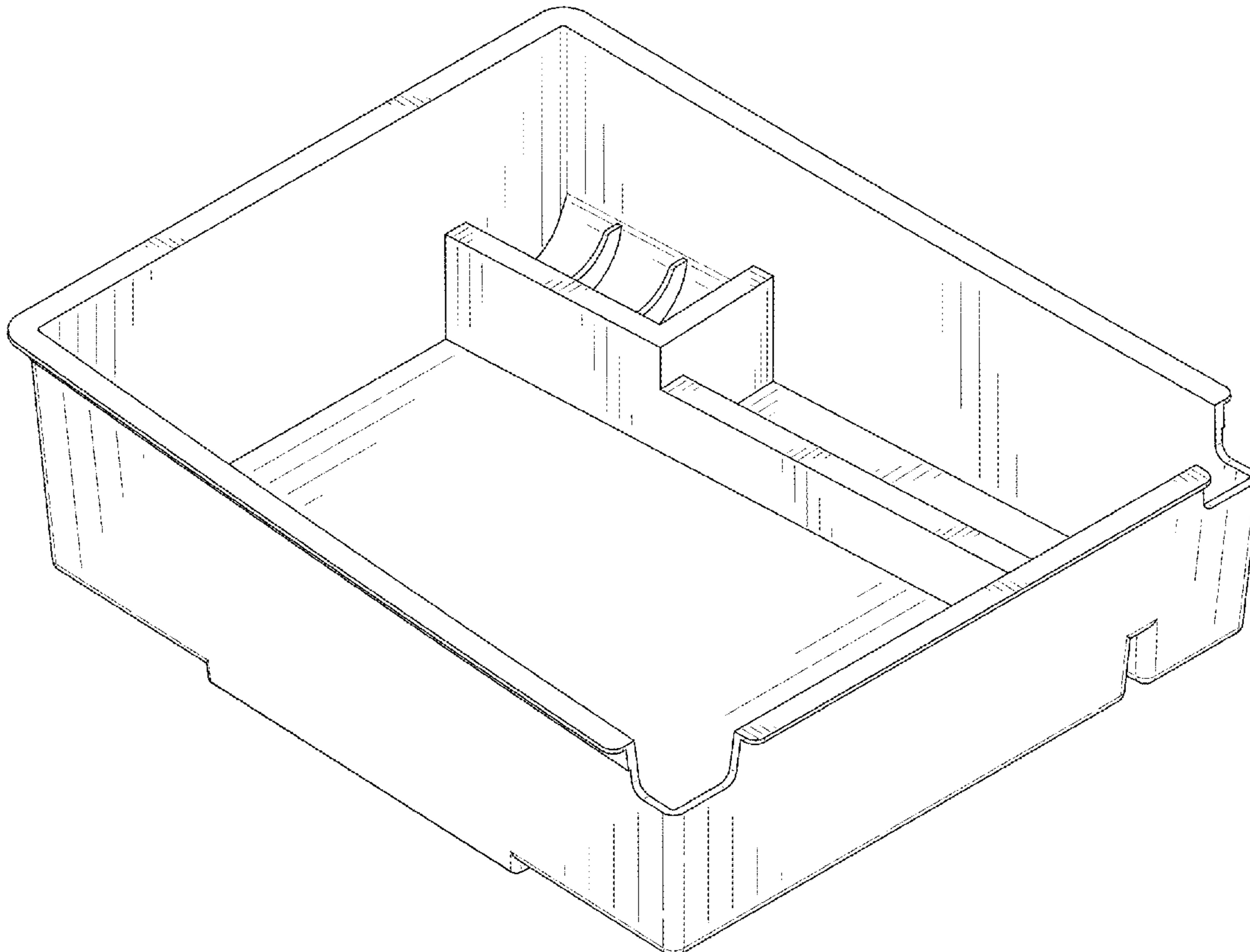
FIG. 1 is a front and top perspective view of a storage box for vehicle, showing my new design;
FIG. 2 is a rear and bottom perspective view thereof;
FIG. 3 is a front elevation view thereof;
FIG. 4 is a rear elevation view thereof;
FIG. 5 is a left side elevation view thereof;
FIG. 6 is a right side elevation view thereof;
FIG. 7 is a top plan view thereof; and,
FIG. 8 is a bottom plan view thereof.
The broken lines in the figures illustrate portions of the storage box for vehicle that form no part of the claimed design.

(56) **References Cited**

U.S. PATENT DOCUMENTS

D474,733 S * 5/2003 Webb D12/419
D573,940 S * 7/2008 Heneghan D12/425
D680,943 S * 4/2013 Avalos Sartorio D12/415
D879,015 S * 3/2020 Besley D12/424
D883,901 S * 5/2020 McMurrin D12/419
D916,461 S 4/2021 Chang
D916,647 S * 4/2021 Chen D12/425
D932,420 S * 10/2021 Bruni D12/425
D935,380 S * 11/2021 Ma D12/421

1 Claim, 8 Drawing Sheets



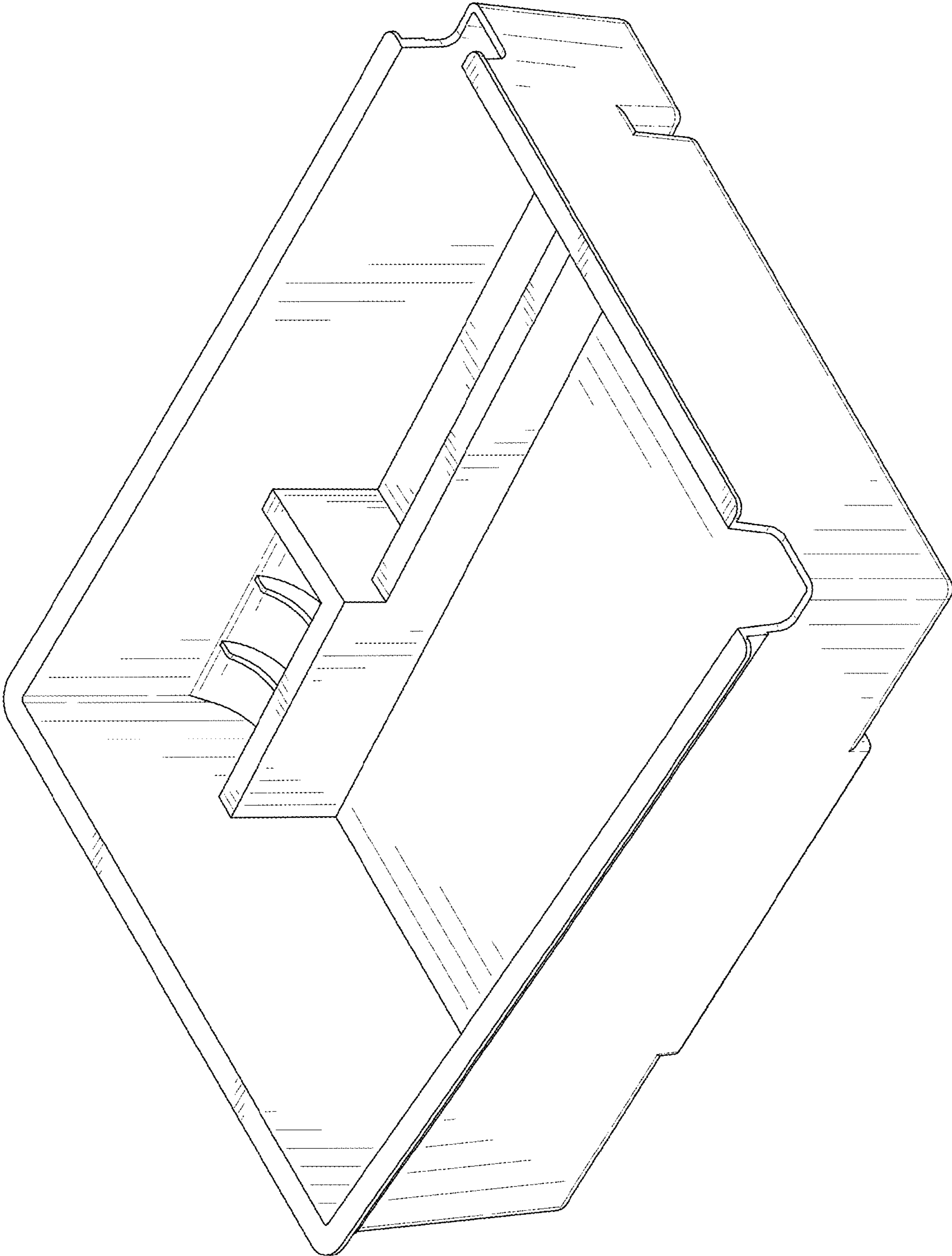


FIG. 1

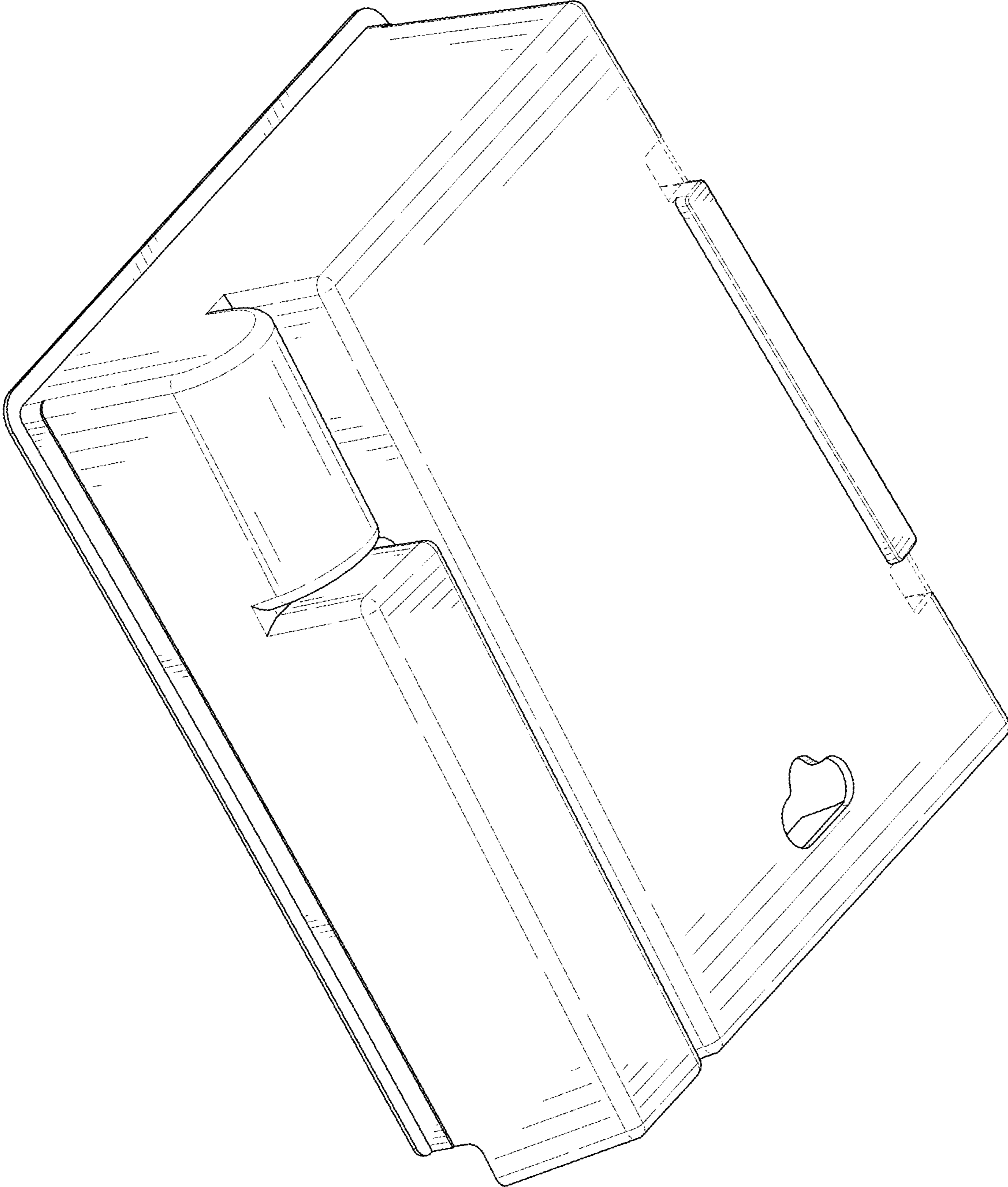


FIG. 2

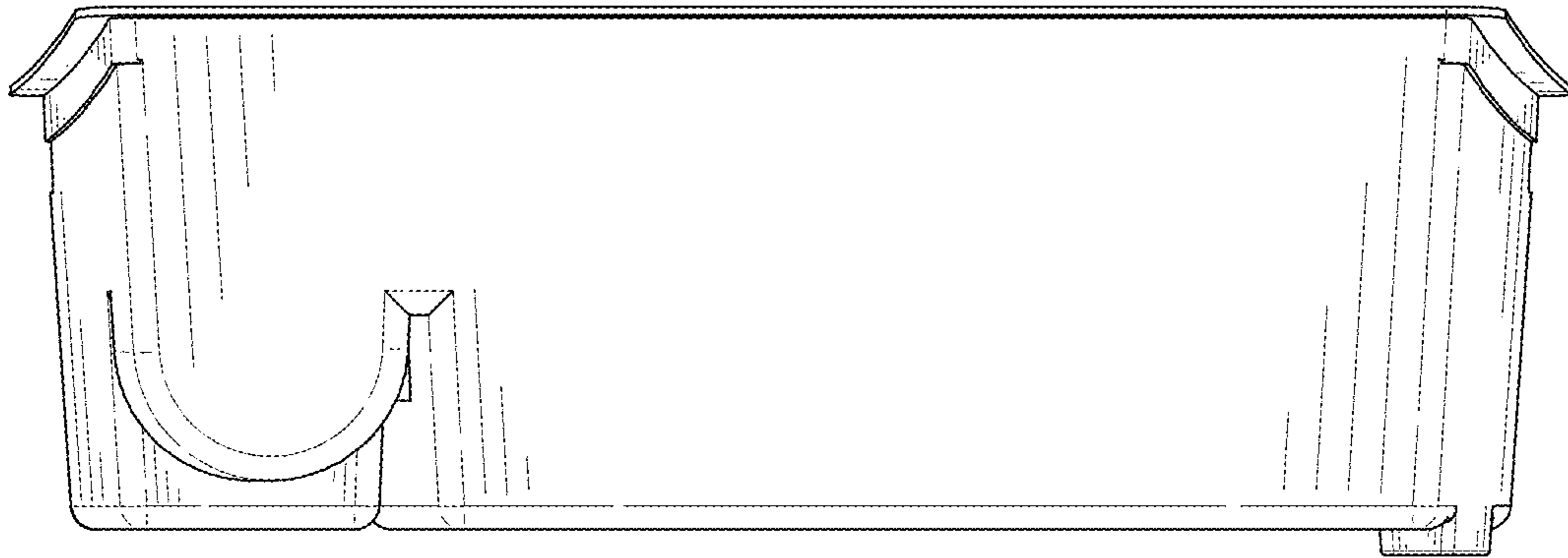


FIG. 3

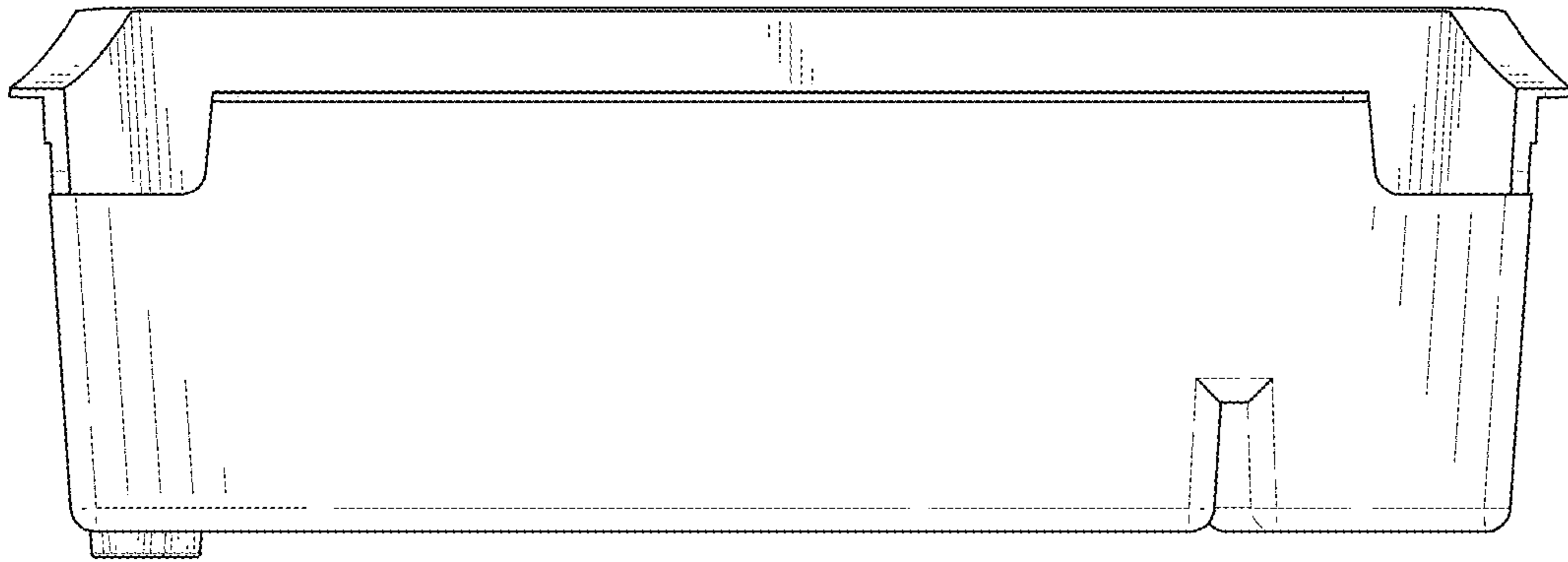


FIG. 4

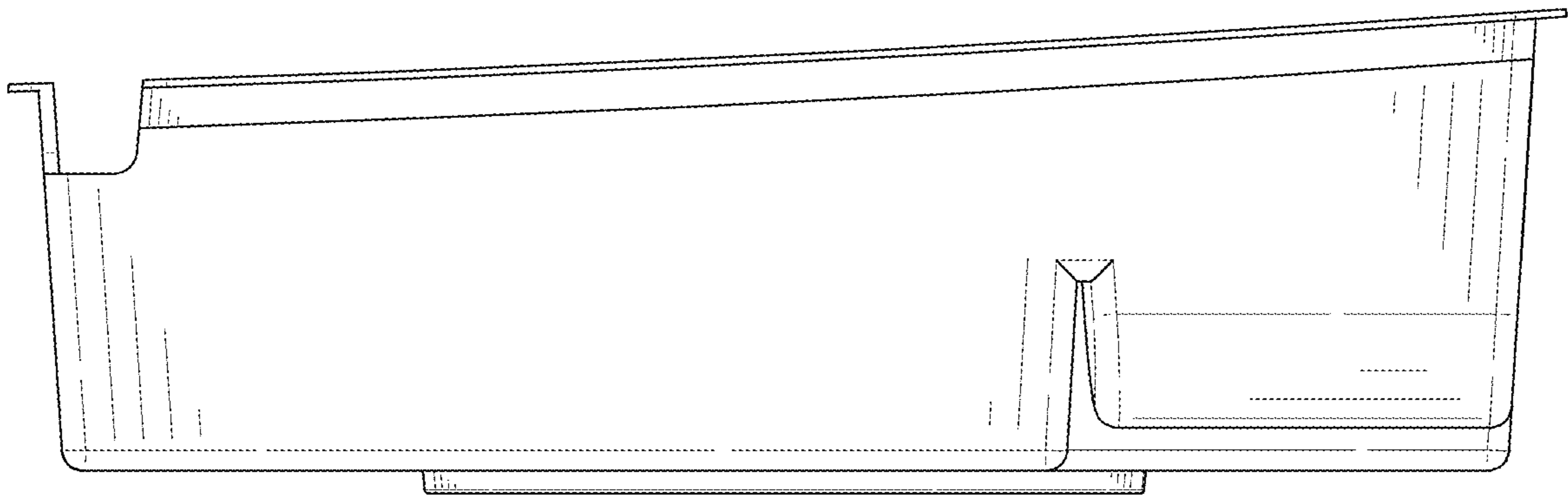


FIG. 5

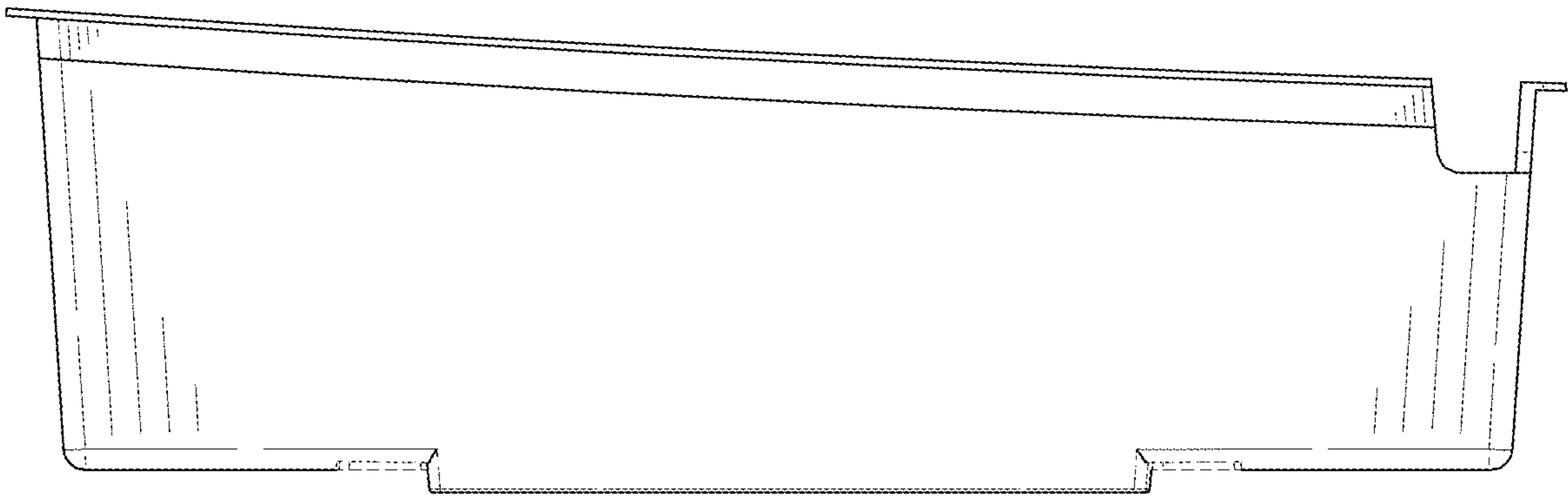


FIG. 6

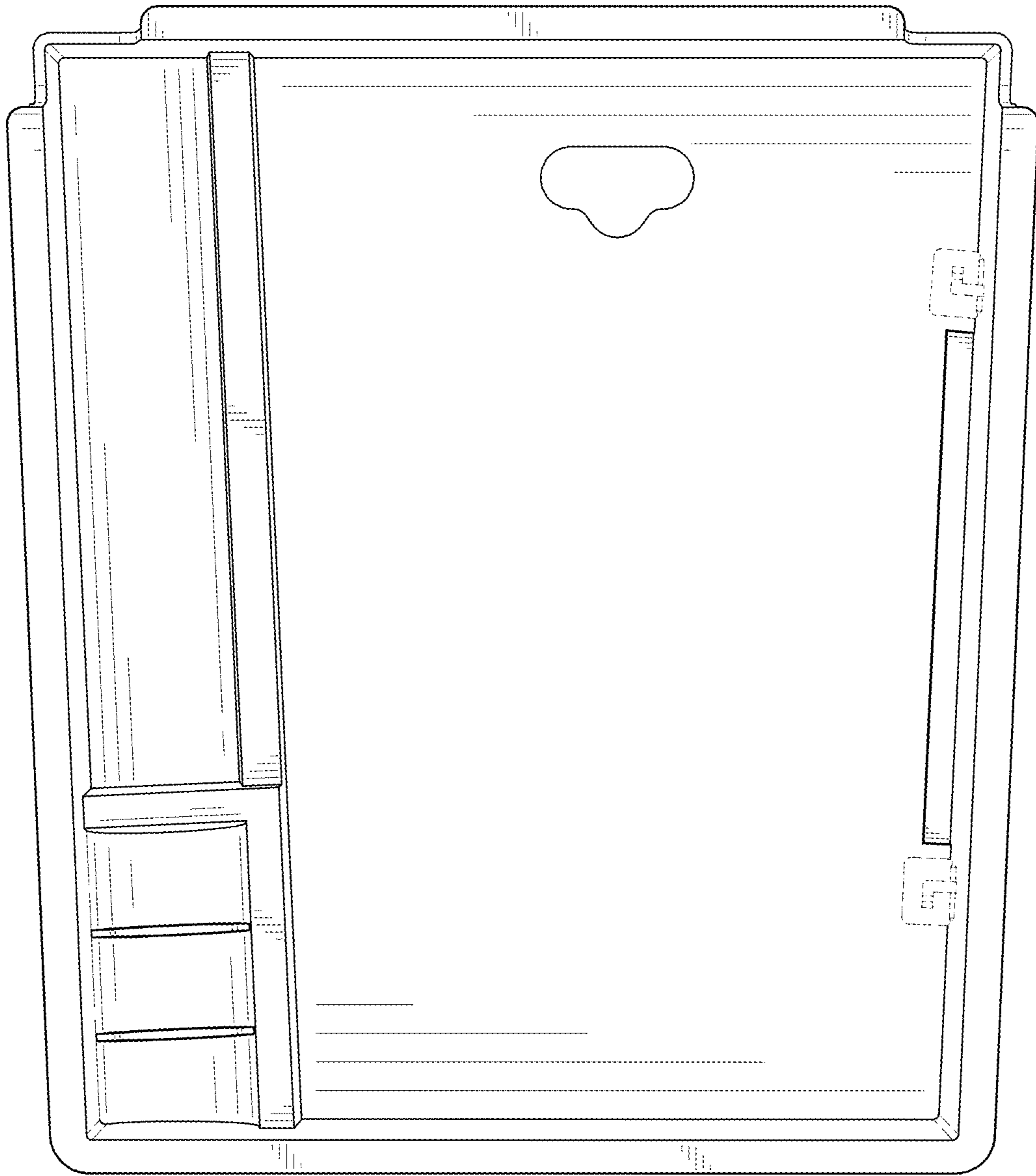


FIG. 7

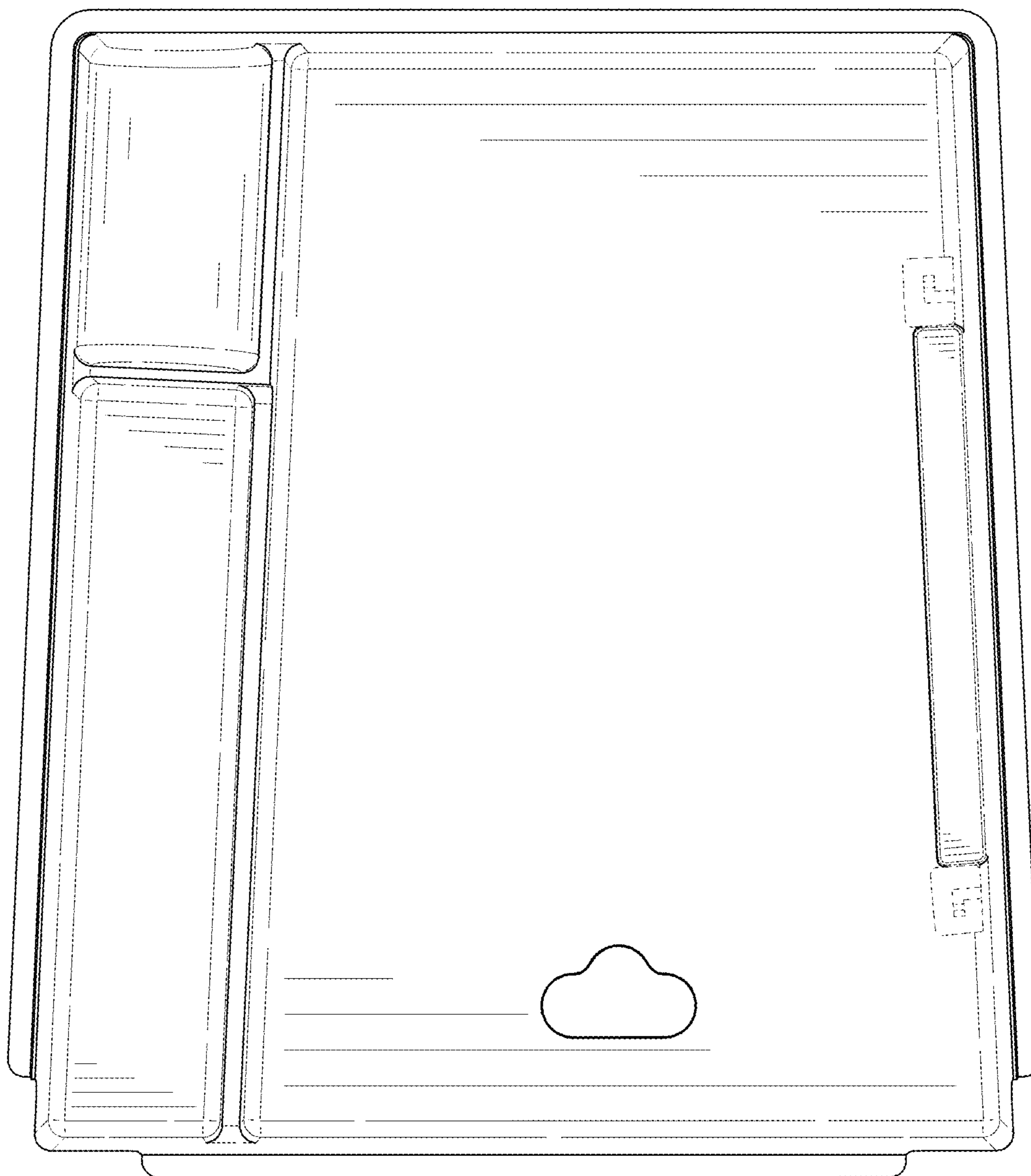


FIG. 8