



US00D950475S

(12) **United States Design Patent** (10) **Patent No.:** **US D950,475 S**
Xu et al. (45) **Date of Patent:** **** May 3, 2022**

(54) **ADJUSTABLE VEHICULAR HOLDER FOR AN ELECTRONIC OR AIR FRESHENER DEVICE**

iOttie-One-Touch-4-Wireless-Qi-Charging-Vent-Mount- internet site; published or offered for sale prior to Mar. 2020.

(Continued)

(71) Applicant: **Marklyn Group Inc.**, Brampton (CA)

Primary Examiner — Katrina A Betton

(72) Inventors: **Shuang Xu**, North York (CA); **David Chung**, Oakville (CA)

(74) *Attorney, Agent, or Firm* — Harness, Dickey & Pierce PLC

(73) Assignee: **Marklyn Group, Inc.**, Brampton (CA)

(57) **CLAIM**

We claim the ornamental design for an adjustable vehicular holder for an electronic or air freshener device, as shown and described.

(**) Term: **15 Years**

DESCRIPTION

(21) Appl. No.: **29/729,722**

FIG. 1 is a top perspective view showing an adjustable vehicular holder for an electronic or air freshener device of our new design, in a nut-fully engaged and a leg-clamped first position;

(22) Filed: **Mar. 30, 2020**

FIG. 2 is a bottom perspective view thereof, in the first position;

(51) **LOC (13) Cl.** **12-16**

(52) **U.S. Cl.**

USPC **D12/415**

(58) **Field of Classification Search**

USPC D12/415-420, 423, 400, 191; D6/513, D6/514, 611, 553, 556, 559; D14/253

CPC B60R 2011/0005

See application file for complete search history.

FIG. 3 is a side elevational view thereof, in the first position, with an opposite side elevational view being a mirrored image thereof;

FIG. 4 is a side elevational view, in the first position, taken perpendicular to that of FIG. 3, with an opposite side elevational view being a mirrored image thereof;

FIG. 5 is a top plan view thereof, in the first position;

FIG. 6 is a bottom plan view thereof, in the first position;

FIG. 7 is a top perspective view showing the adjustable vehicular holder for the electronic or air freshener device, in a nut-partially engaged and a leg- open second position;

FIG. 8 is a side elevational view thereof, in the second position, with an opposite side elevational view being a mirrored image thereof;

FIG. 9 is a side elevational view thereof, in the second position, with an opposite side elevational view being a mirrored image thereof;

FIG. 10 is a top plan view thereof, in the second position; and,

FIG. 11 is a bottom plan view thereof, in the second position.

(56) **References Cited**

U.S. PATENT DOCUMENTS

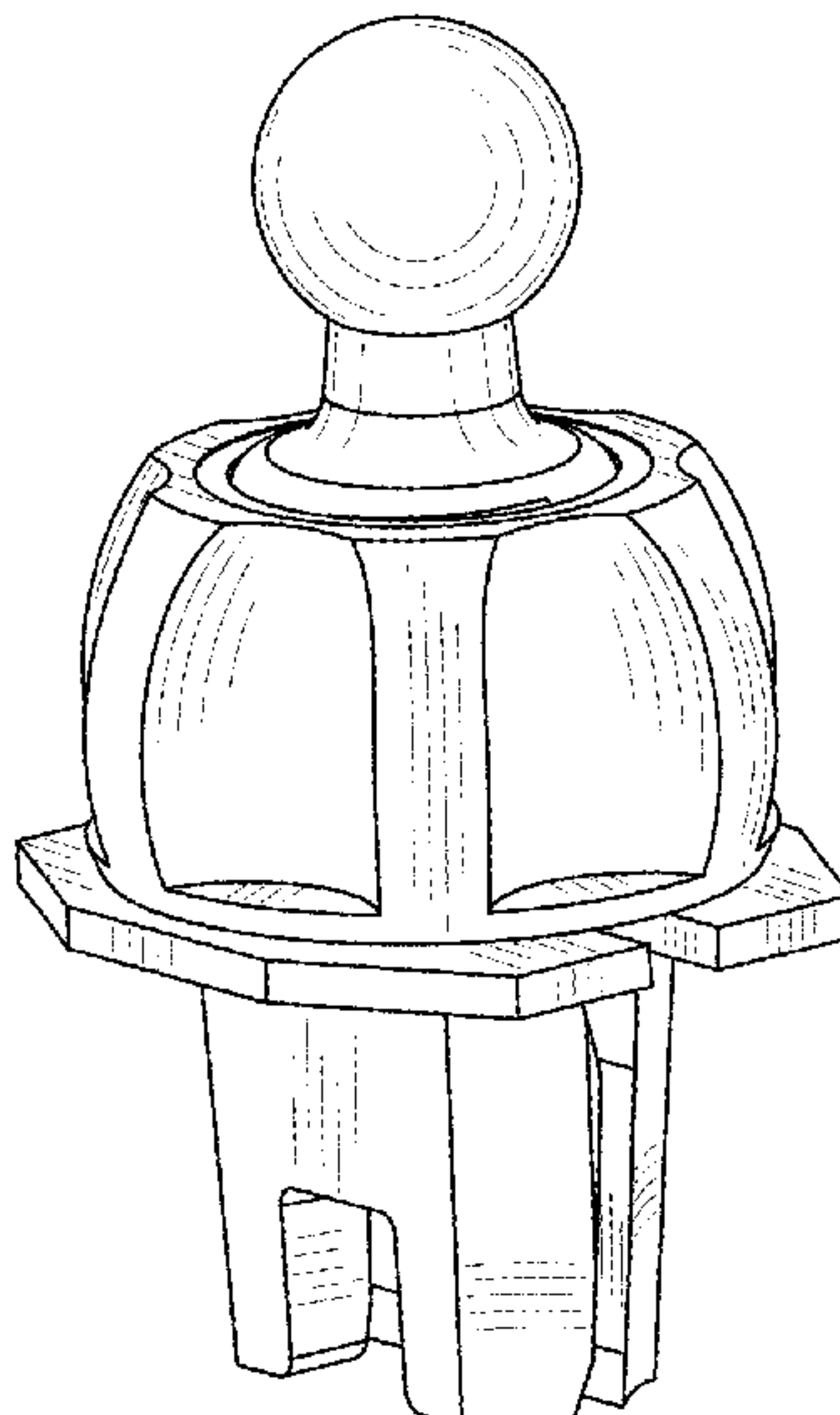
4,523,870	A	6/1985	Spector
4,560,931	A	12/1985	Murakami et al.
4,617,430	A	10/1986	Bryant
4,840,773	A	6/1989	Wade
5,269,723	A	12/1993	Bender
5,457,745	A	10/1995	Wang
5,820,792	A	10/1998	Lin
5,931,440	A	8/1999	Miller

(Continued)

OTHER PUBLICATIONS

iOttie, "Easy One Touch Wireless Fast Charging Air Vent Phone Holder",—Printed from <https://www.iottie.com/Product/Detail/5077/>

1 Claim, 6 Drawing Sheets



(56)

References Cited

U.S. PATENT DOCUMENTS

5,961,083 A	10/1999	Hartmann et al.	D780,168 S	2/2017	Du	
5,979,724 A	11/1999	Loewenthal, Jr. et al.	D780,743 S	3/2017	Chun	
6,103,201 A	8/2000	Green	D781,297 S	3/2017	Liao	
6,312,284 B1	11/2001	Tsay	D782,024 S	3/2017	Murphy	
6,366,672 B1	4/2002	Tsay	D783,012 S	4/2017	Lee	
6,416,043 B1	7/2002	Eisenbraun	D783,013 S	4/2017	Chun	
D485,340 S	1/2004	Wu	D783,014 S	4/2017	Chun	
6,760,941 B2	7/2004	Coleman, Jr.	D783,593 S	4/2017	Chen	
6,988,907 B2	1/2006	Chang	D784,439 S	4/2017	Minn et al.	
7,140,553 B2	11/2006	Zobebe	D787,499 S	5/2017	Lee et al.	
7,219,867 B2	5/2007	Kalis et al.	9,651,069 B2	5/2017	Aspinall et al.	
D552,651 S	10/2007	Arbuckle	D789,920 S	6/2017	Zhang	
7,284,737 B2	10/2007	Kane	9,689,527 B2	6/2017	Franklin	
D571,278 S	6/2008	Carnevali	9,701,256 B2	7/2017	Haymond et al.	
7,537,190 B2	5/2009	Fan	D795,240 S	8/2017	Kaufman	
D611,478 S	3/2010	Richardson et al.	9,718,412 B2	8/2017	Minn et al.	
7,669,816 B2	3/2010	Crain et al.	9,718,415 B2	8/2017	Squicciarini	
D614,613 S	4/2010	Kim et al.	9,744,913 B2	8/2017	Ormsbee et al.	
D641,609 S	7/2011	Yagame et al.	D796,421 S	9/2017	Huang	
7,988,106 B2	8/2011	Carnevali	D799,465 S	10/2017	Sukphist et al.	
D645,033 S	9/2011	Quong et al.	D799,466 S	10/2017	Sukphist et al.	
D657,356 S	4/2012	Wikel	D803,208 S	11/2017	Cai	
D663,726 S	7/2012	Gourley	D805,119 S	12/2017	Minn et al.	
D663,735 S	7/2012	Musselman	D806,064 S	12/2017	Lee	
8,295,896 B2	10/2012	Jeon	9,833,534 B2	12/2017	D'Amico	
D671,950 S	12/2012	Richter	D807,339 S	1/2018	Lan	
8,322,584 B2	12/2012	Dethmers	9,868,532 B2	1/2018	Balmer	
D681,420 S	5/2013	Ileuov et al.	9,889,800 B1	2/2018	Fan	
8,480,960 B2	7/2013	Wheatley et al.	9,889,880 B2	2/2018	Mori	
8,505,795 B2	8/2013	Dunn	D814,677 S	4/2018	Sukphisit et al.	
D690,707 S	10/2013	Minn et al.	D817,269 S	5/2018	Sukphist et al.	
D692,897 S	11/2013	Luijben	9,956,923 B2	5/2018	Minn et al.	
D696,673 S	12/2013	Vogel	D824,378 S	7/2018	Sukphisit et al.	
D696,674 S	12/2013	Vogel	D826,749 S	8/2018	Halbertsma et al.	
8,602,376 B2	12/2013	Vogel et al.	D826,918 S	8/2018	Lebovitz	
8,627,953 B1	1/2014	Yeo	D831,660 S	10/2018	Yao et al.	
D704,199 S	5/2014	Byun	D831,661 S	10/2018	Yao et al.	
8,727,192 B2	5/2014	Lai	D832,247 S	10/2018	Sukphist et al.	
D707,672 S	6/2014	Lai	D832,248 S	10/2018	Sukphist et al.	
8,757,461 B2	6/2014	Zanetti	10,122,400 B2	11/2018	Tiller et al.	
D709,066 S	7/2014	Byun	10,124,653 B2	11/2018	Esses	
D715,789 S	10/2014	Yoon	10,150,426 B2	12/2018	Ormsbee et al.	
D715,791 S	10/2014	Yu	10,173,607 B1	1/2019	Omelchenko et al.	
D716,215 S	10/2014	Dunn	D840,995 S	2/2019	Balmer	
D717,307 S	11/2014	Chun	D840,999 S	2/2019	Hu	
D718,242 S	11/2014	Aspinall et al.	10,215,330 B2	2/2019	Vogel et al.	
D718,297 S	11/2014	Aspinall et al.	D845,960 S	4/2019	Yao et al.	
D718,298 S	11/2014	Aspinall et al.	D845,961 S	4/2019	Yao et al.	
D720,759 S	1/2015	Deng et al.	D845,962 S	4/2019	Yao et al.	
D721,065 S	1/2015	Yoon	D849,012 S	5/2019	Yao et al.	
D721,066 S	1/2015	Yoon	D851,650 S	6/2019	Minn et al.	
D723,042 S	2/2015	Lee et al.	10,308,191 B2	6/2019	Richter	
9,004,331 B2	4/2015	Fan	D858,509 S	9/2019	Yao et al.	
D732,013 S	6/2015	Aspinall et al.	D861,003 S	9/2019	Vogel et al.	
D732,519 S	6/2015	Aspinall et al.	D862,454 S	10/2019	Chun	
D733,115 S	6/2015	Aspinall et al.	D864,973 S	10/2019	Minn et al.	
D733,116 S	6/2015	Aspinall et al.	D868,054 S	11/2019	Kim et al.	
D734,746 S	7/2015	Vogel	D873,261 S	1/2020	Yin	
9,080,714 B2	7/2015	Minn et al.	10,533,699 B2	1/2020	Yang	
D747,681 S	1/2016	Lee et al.	D875,090 S	2/2020	Leeds-Frank et al.	
D748,087 S	1/2016	Lee et al.	10,563,683 B2	2/2020	Lebovitz	
D748,615 S	2/2016	Lee et al.	D877,741 S	3/2020	Leeds-Frank	
D750,612 S	3/2016	Chen	D877,742 S	3/2020	Yao et al.	
D750,633 S	3/2016	Minn et al.	D893,398 S *	8/2020	Wu	D12/415
D750,767 S	3/2016	Donovan et al.	D893,471 S *	8/2020	Liao	D14/253
D764,565 S	8/2016	Tekunoff et al.	D898,729 S *	10/2020	Leeds Frank	D14/253
D765,070 S	8/2016	Franklin	D920,219 S *	5/2021	Iverson	D12/415
D765,651 S	9/2016	Liu et al.	D920,322 S *	5/2021	Stefanelli	D14/253
D767,556 S	9/2016	Lee	D931,185 S *	9/2021	Zhang	D12/415
9,445,512 B2	9/2016	Wang	D933,646 S *	10/2021	Liao	D14/253
D768,125 S	10/2016	Kim	D934,231 S *	10/2021	Liao	D14/253
D769,860 S	10/2016	Xiao	D934,235 S *	10/2021	Liao	D14/253
D775,115 S	12/2016	Ormsbee et al.	D936,048 S *	11/2021	Wang	D14/253
D778,713 S	2/2017	McSweyn et al.	D937,820 S *	12/2021	Li	D14/253
D778,714 S	2/2017	McSweyn et al.	D939,494 S *	12/2021	Leeds-Frank	D14/253

(56)

References Cited

U.S. PATENT DOCUMENTS

2002/0088916	A1	7/2002	March et al.
2005/0236536	A1	10/2005	Fan
2008/0224007	A1	9/2008	Mo
2010/0019059	A1	1/2010	Bulsink et al.
2011/0019992	A1	1/2011	Orf
2011/0143583	A1	6/2011	Zilmer et al.
2014/0103087	A1	4/2014	Fan
2014/0138418	A1	5/2014	Dunn
2014/0138419	A1	5/2014	Minn et al.
2014/0183238	A1	7/2014	Lin
2015/0072555	A1	3/2015	Riddiford et al.
2016/0052370	A1	2/2016	Esses
2016/0082893	A1	3/2016	Ormsbee et al.
2016/0174396	A1	6/2016	Wang
2017/0314732	A1	11/2017	Minn et al.
2018/0043840	A1	2/2018	Minn et al.
2018/0244211	A1	8/2018	Minn et al.
2019/0085881	A1	3/2019	Sukphisit et al.

OTHER PUBLICATIONS

Scosche, "MagicMount Vent2",—Printed from <https://www.scosche.com/magicmount-vent2> internet site published or offered for sale prior to Mar. 2020).

Belkin, "Premium Car Vent Mount",—Printed from <https://www.belkin.com/us/p/P-F7U017ds/> internet site (published or offered for sale prior to Mar. 2020).

WizGear, "Universal Twist-Lock Mount Air Vent Magnetic Car Mount Holder",—Printed from <https://www.wizgear.com/collections/magnetic-car-mounts/products/wizgear-universal-twist-lock-air-vent-magnetic-car-mount-holder-for-cell-phones-with-fast-swift-snap-technology> internet site (published or offered for sale prior to Mar. 2020).

Kenu, "Airframe Pro cellular telephone vent mount",—Printed from [kenu.com/collections/vent-mounts/products/airframe-pro](https://www.kenu.com/collections/vent-mounts/products/airframe-pro) internet site (published or offered for sale prior to Mar. 2020).

Ebay, "Alpena 66586Z #hugbuddy Device Holder Black",—Printed from internet on Mar. 24, 2020.

* cited by examiner

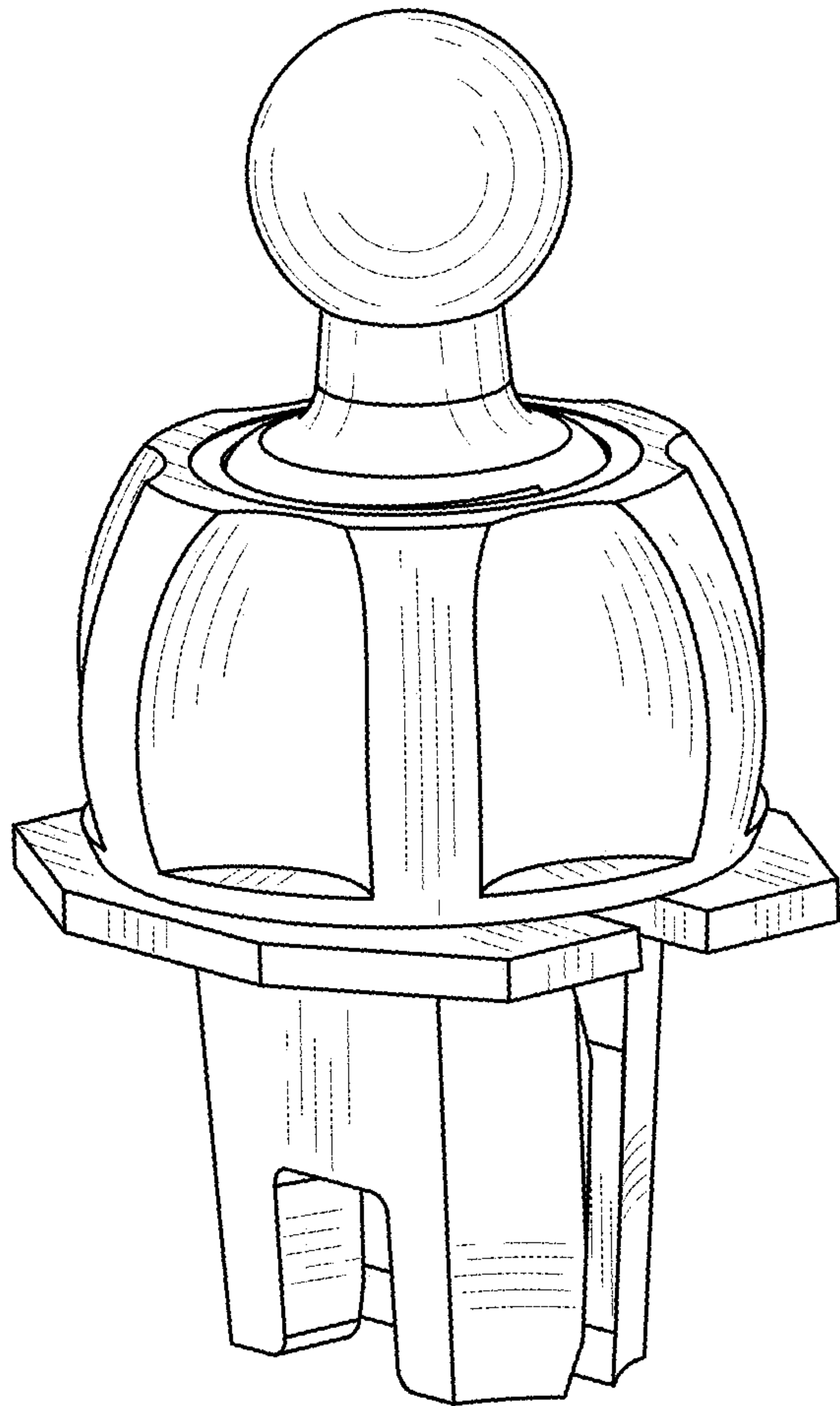


FIG - 1

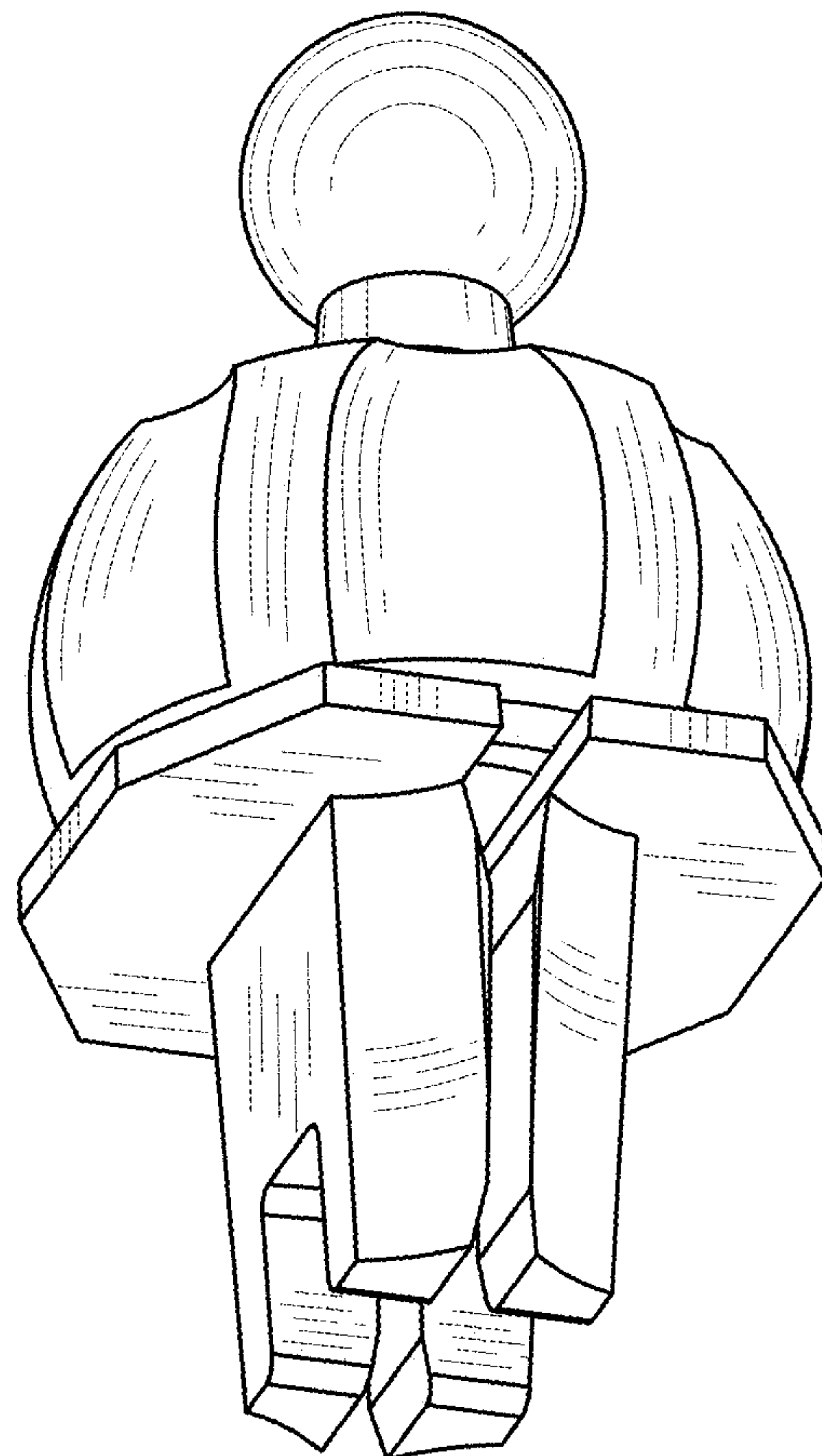


FIG - 2

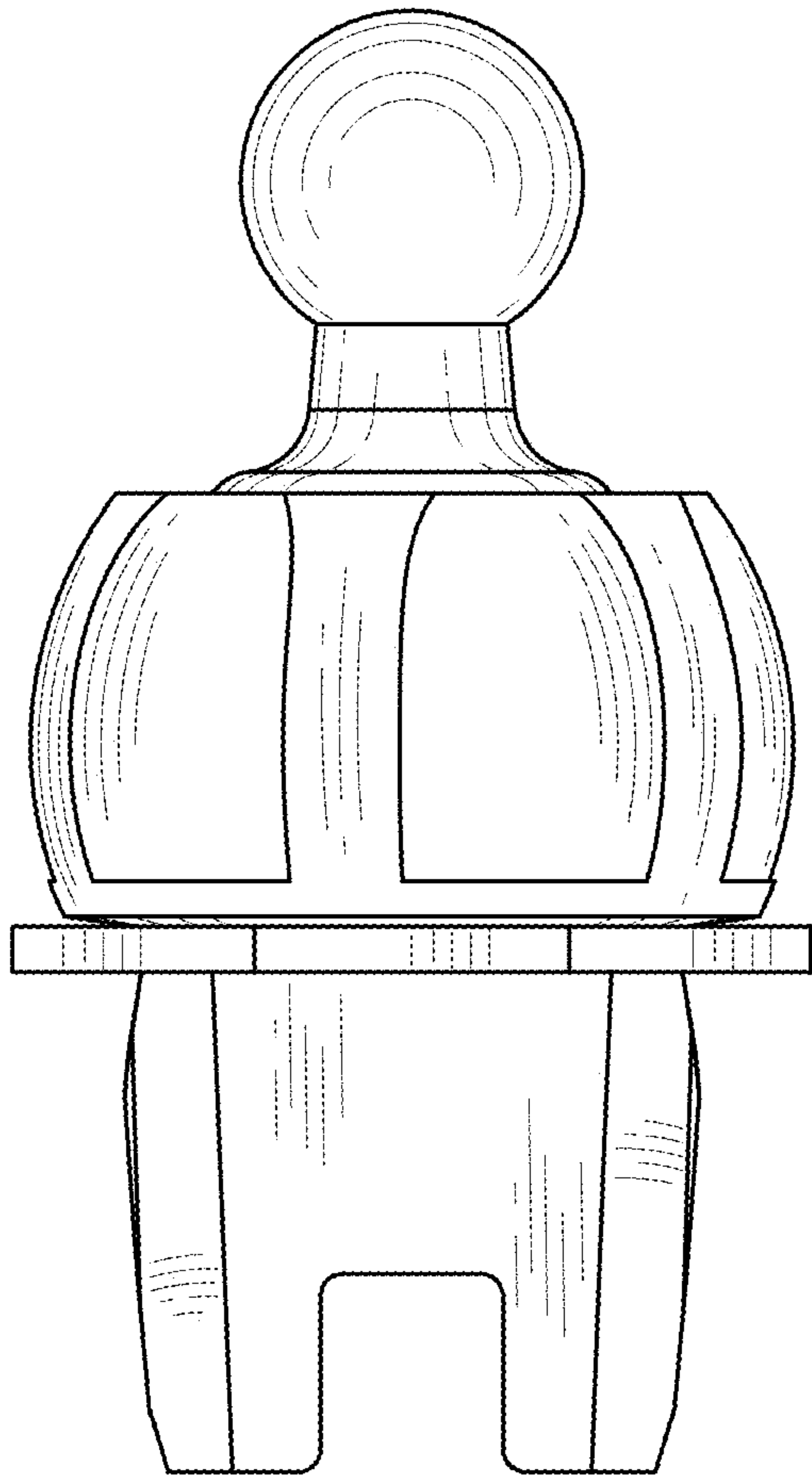


FIG - 3

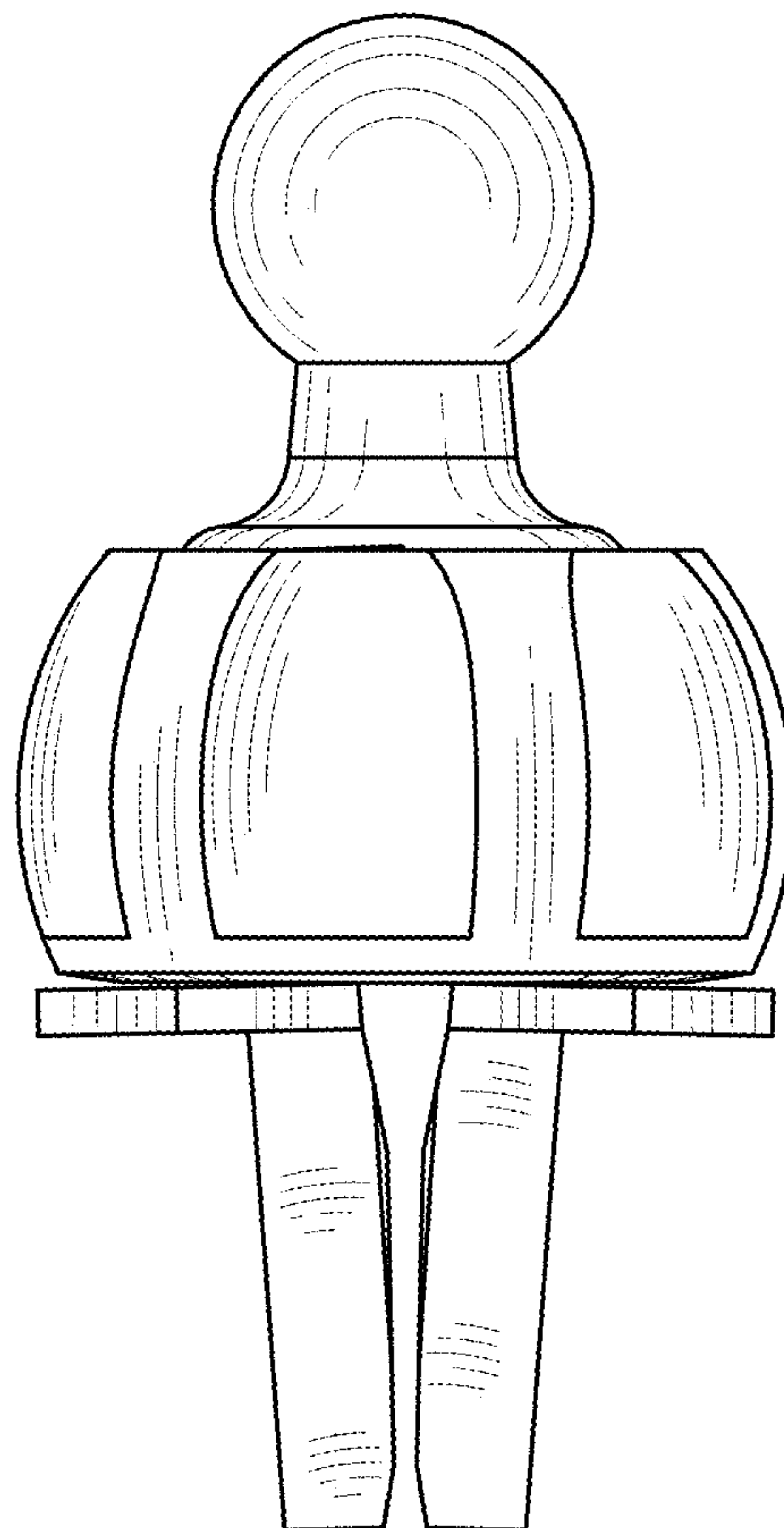


FIG - 4

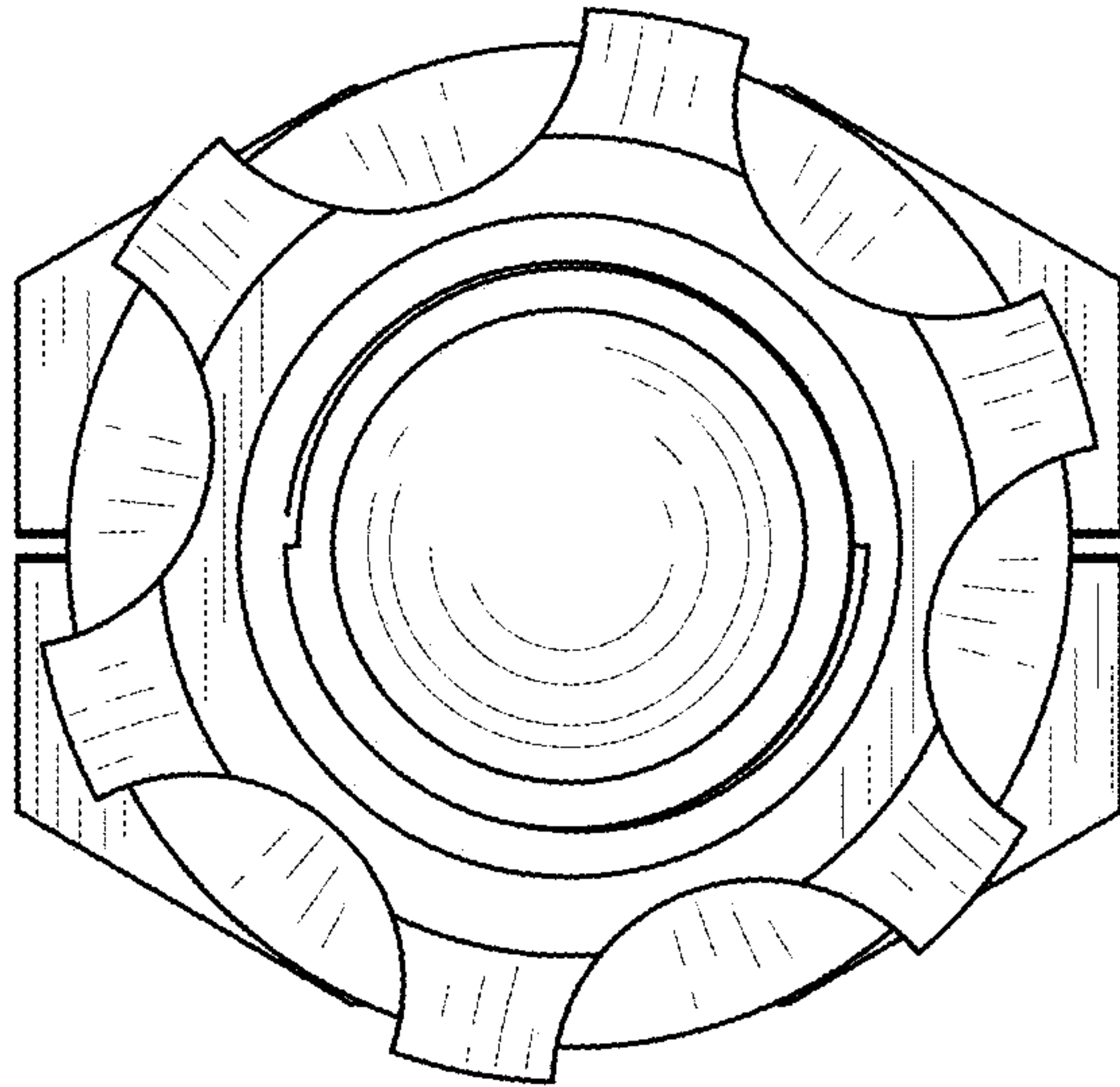


FIG - 5

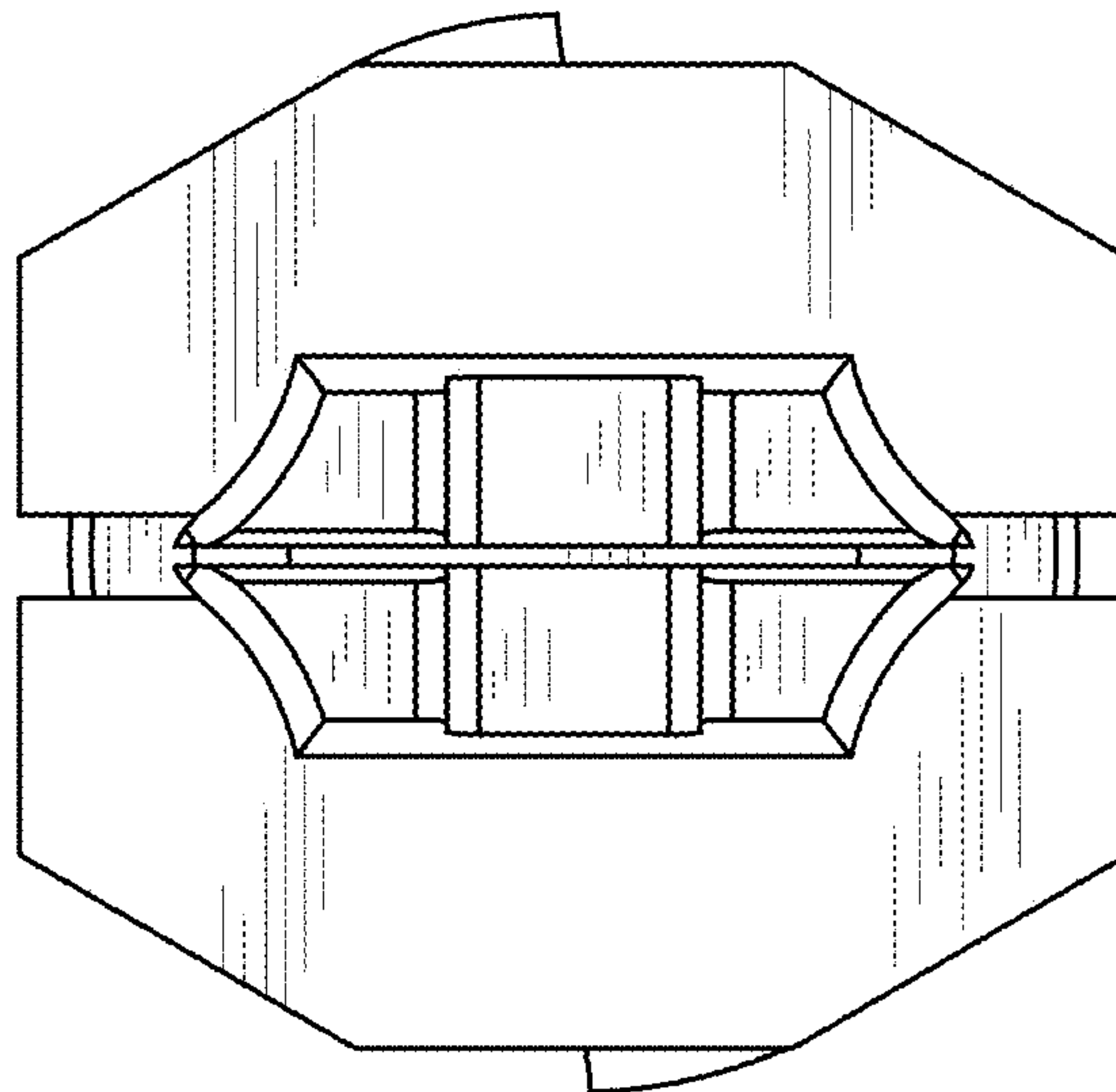


FIG - 6

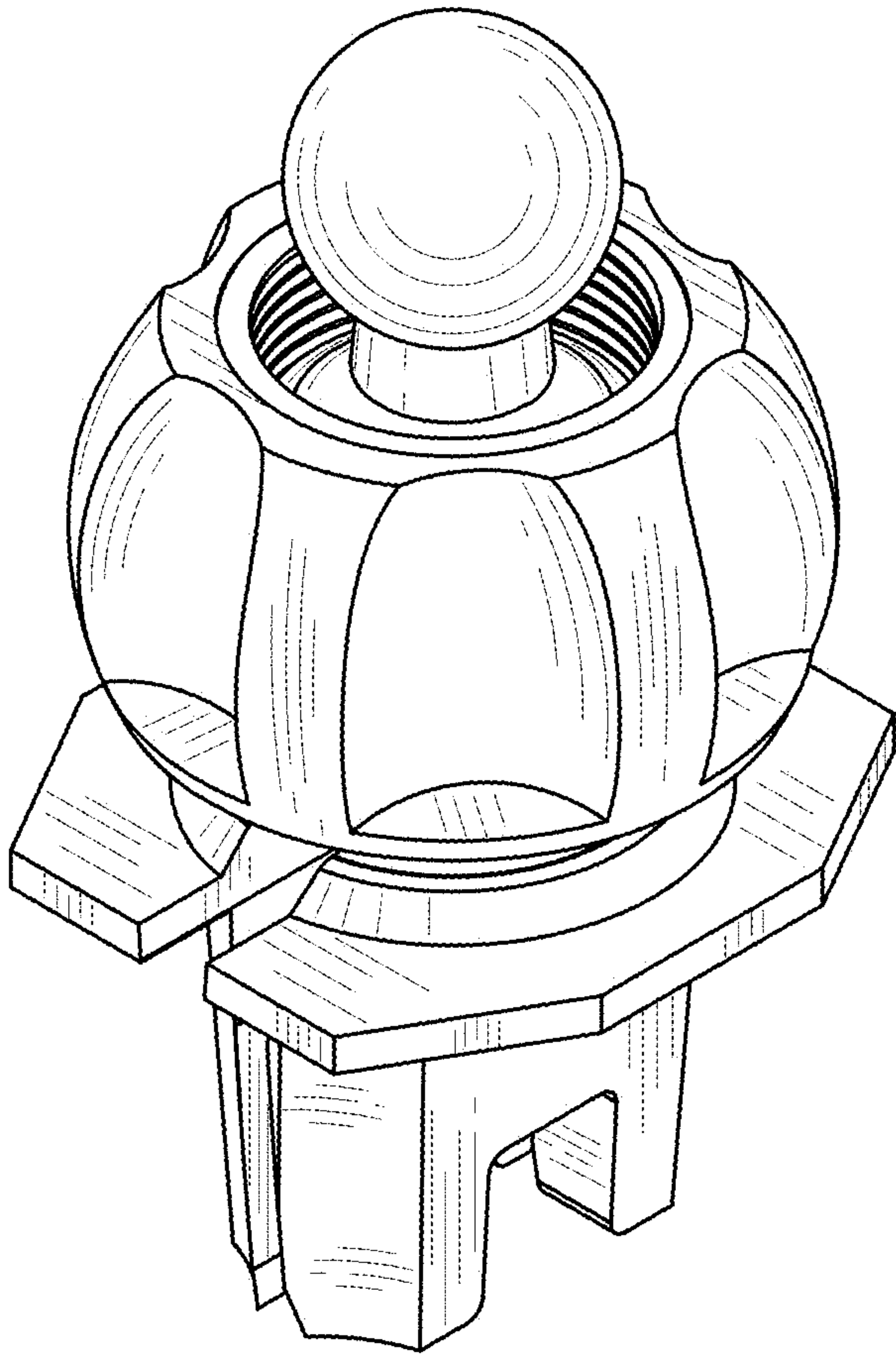


FIG - 7

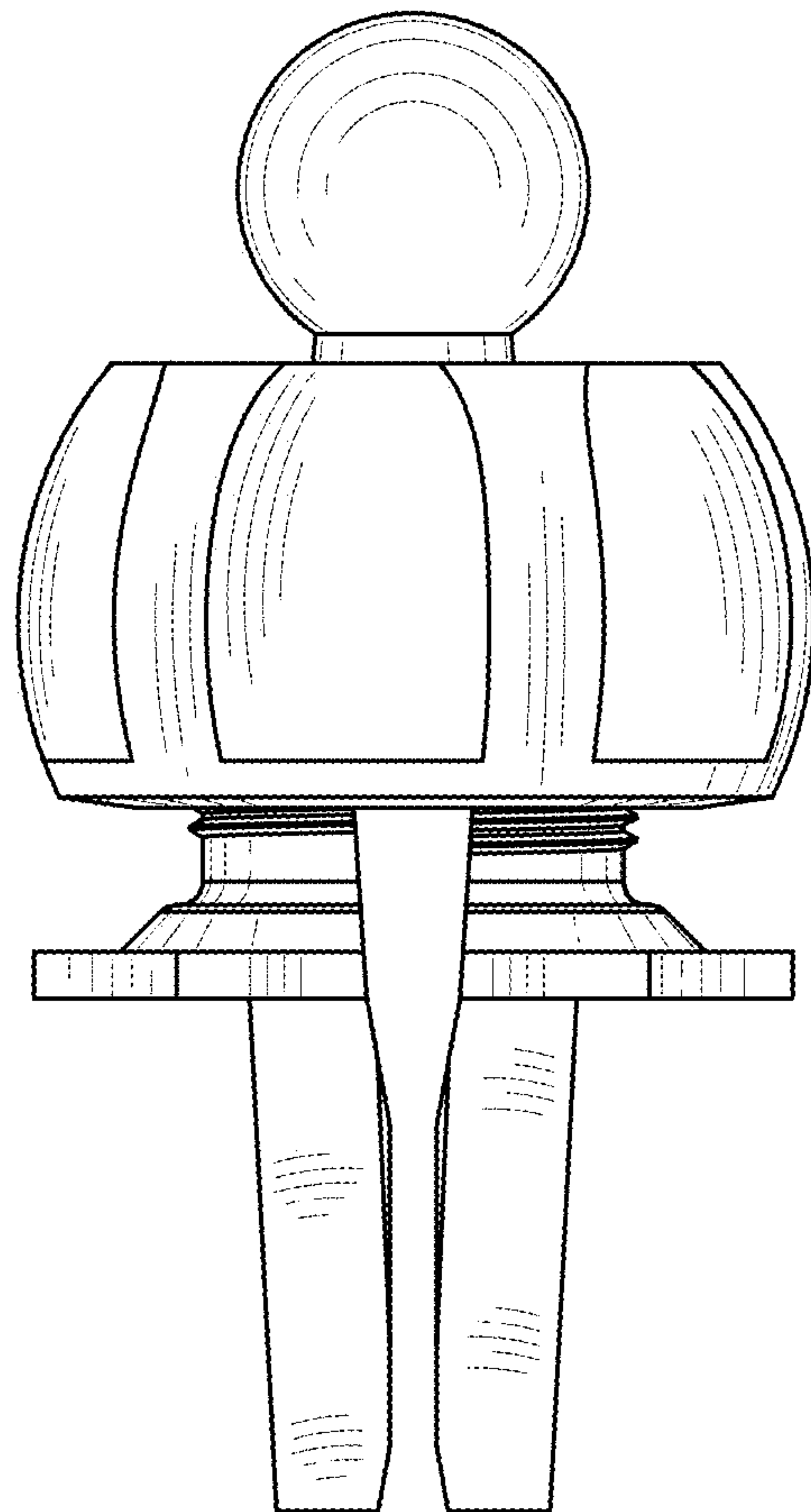


FIG - 8

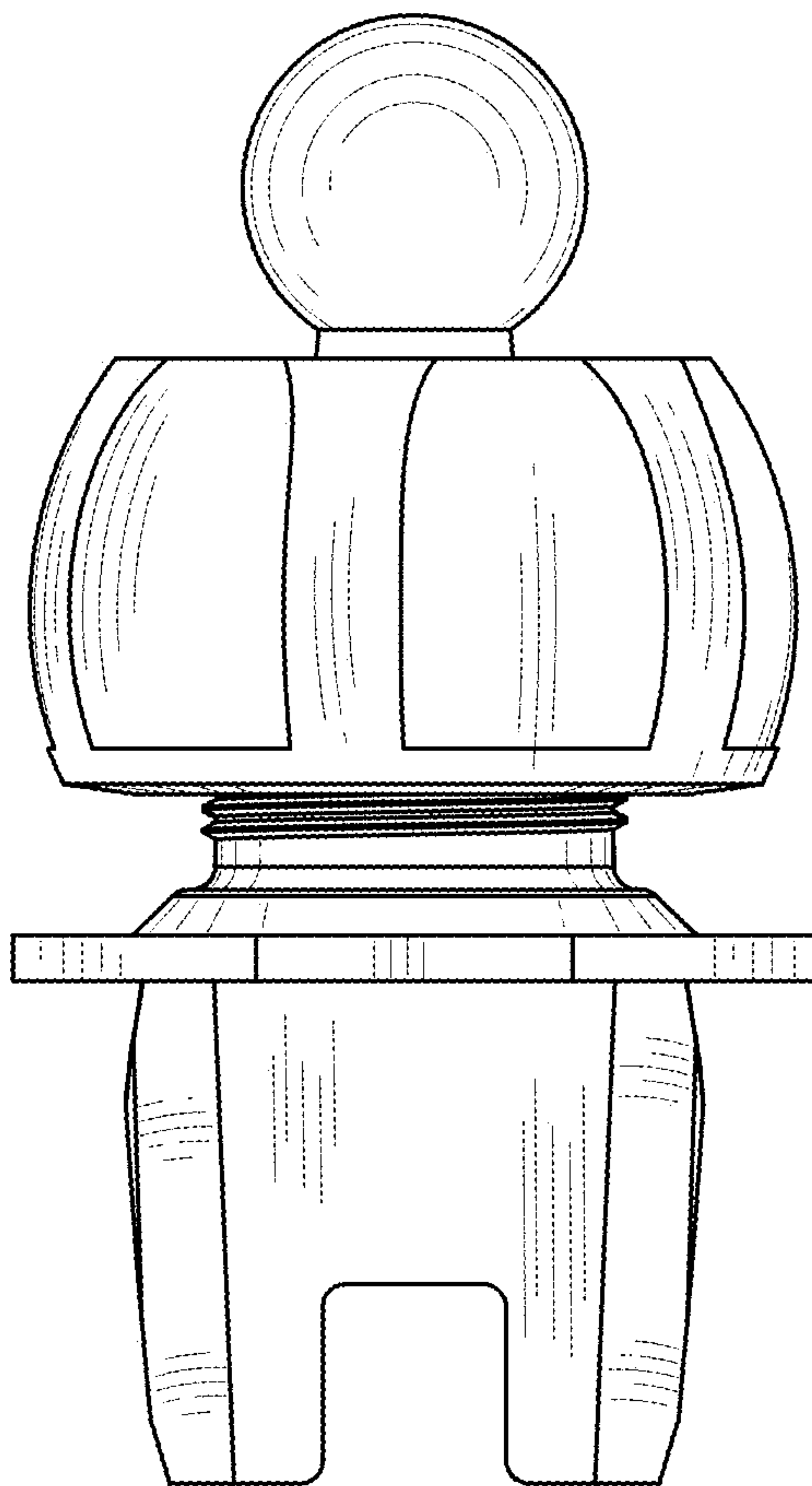


FIG - 9

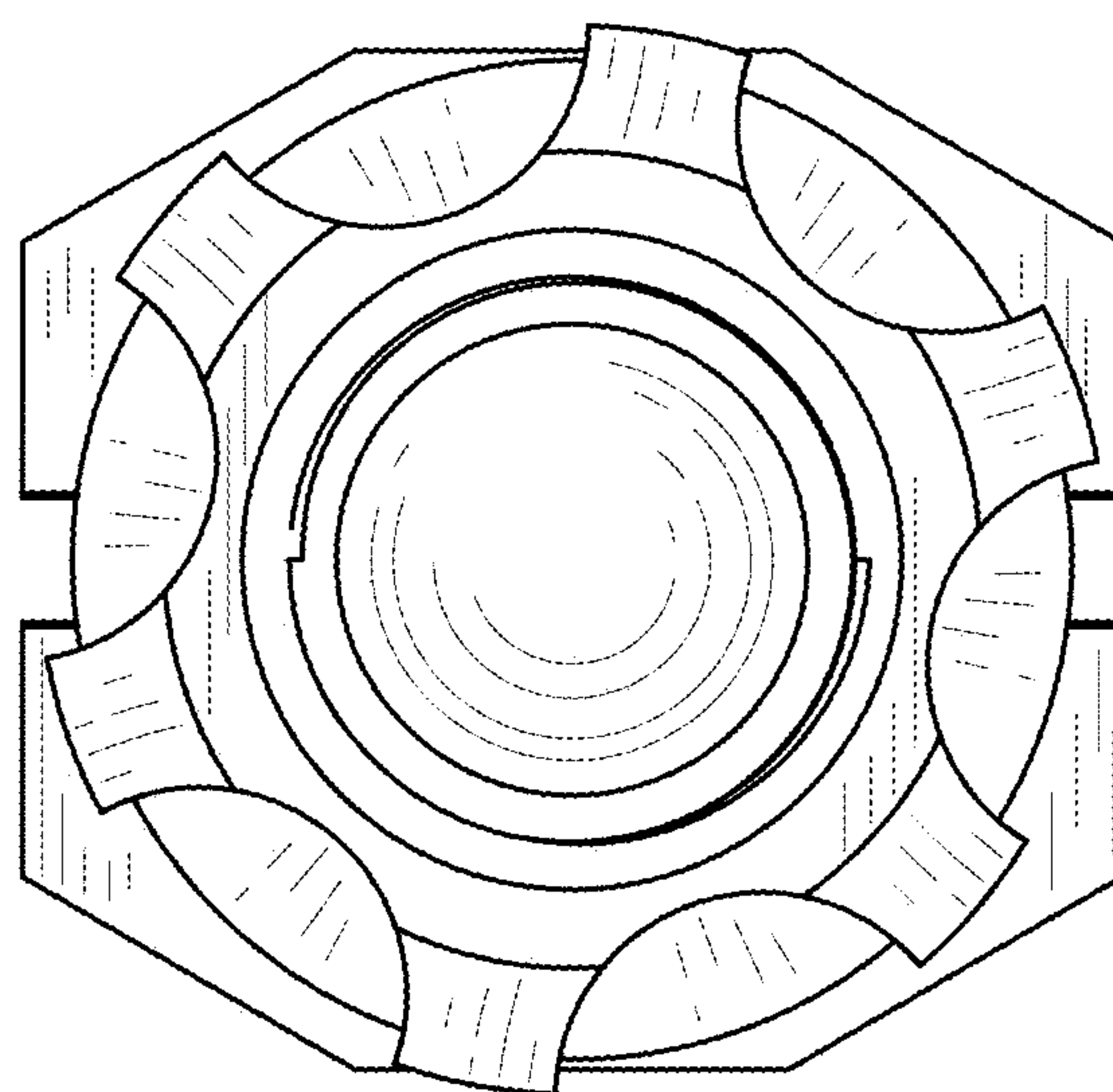


FIG - 10

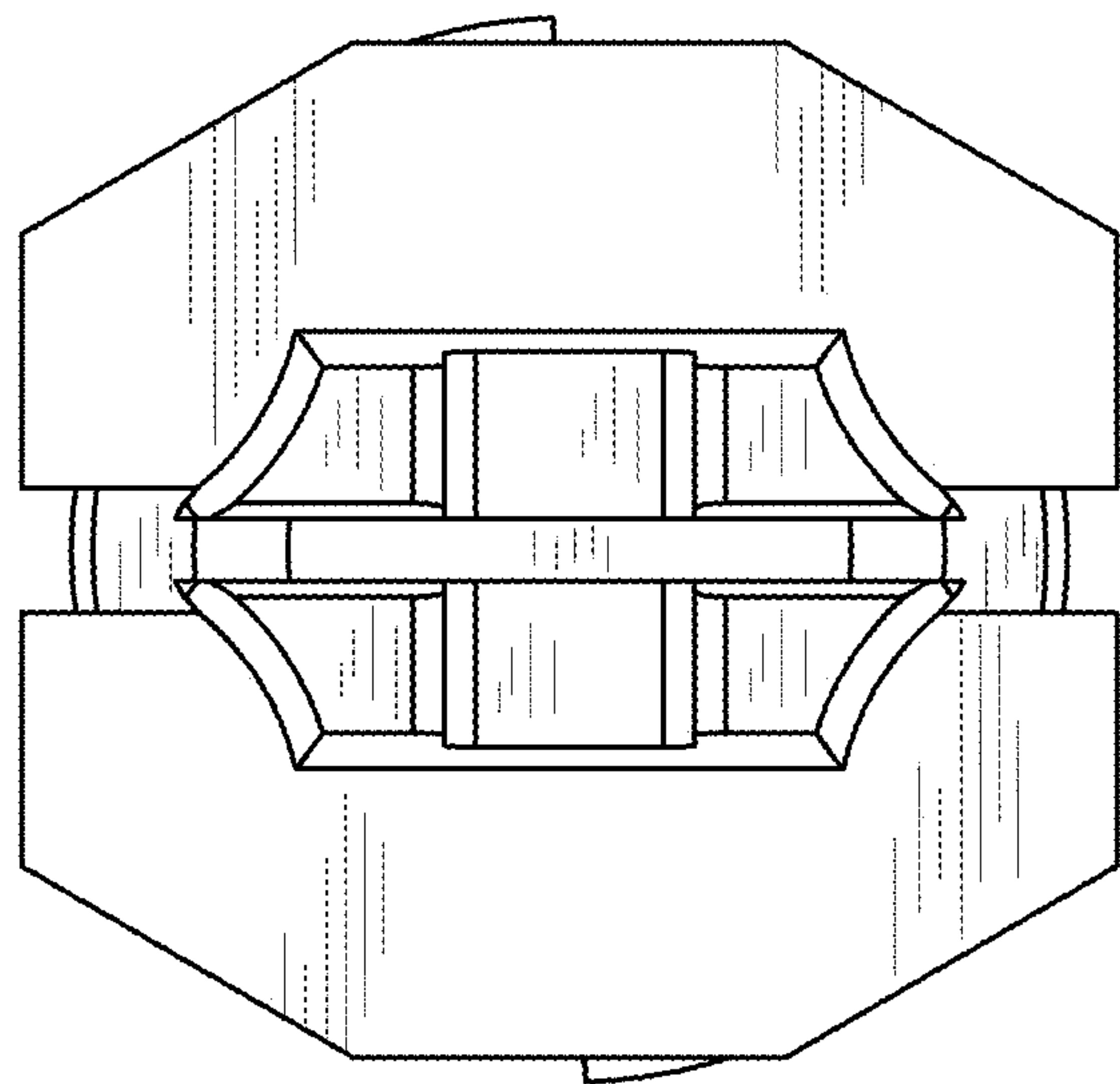


FIG - 11