



US00D950473S

(12) **United States Design Patent**
Christofferson

(10) **Patent No.:** **US D950,473 S**

(45) **Date of Patent:** **** May 3, 2022**

(54) **FRAME FOR A TRUCK BED STORAGE CONTAINER**

(71) Applicant: **One Lung Enterprises LLC**, Parker, CO (US)

(72) Inventor: **John Christofferson**, Highlands Ranch, CO (US)

(73) Assignee: **One Lung Enterprises LLC**, Parker, CO (US)

(**) Term: **15 Years**

(21) Appl. No.: **29/740,059**

(22) Filed: **Jun. 30, 2020**

(51) **LOC (13) Cl.** **12-16**

(52) **U.S. Cl.**
USPC **D12/414.1**

(58) **Field of Classification Search**
USPC ... D12/414.1, 414, 413, 412, 221, 406, 157, D12/423, 414.4; D6/552, 317-319, D6/513-514; D32/35, 58; D3/304-306
CPC B60R 7/02; B60R 9/04; B60R 9/055
See application file for complete search history.

(56) **References Cited**

U.S. PATENT DOCUMENTS

6,089,429	A	*	7/2000	Everson	B60R 9/00
						224/281
D626,062	S	*	10/2010	Giddens	D12/414.1
D658,373	S	*	5/2012	Gros	D3/273
D722,009	S	*	2/2015	Roach	D12/414.1
D755,707	S	*	5/2016	Roach	D12/414.1
D766,810	S	*	9/2016	Haun	D12/414.1

D771,544	S	*	11/2016	Christofferson	D12/414.1
D772,141	S	*	11/2016	Christofferson	D12/414.1
D816,587	S	*	5/2018	Perkins	D12/414.1
D818,420	S	*	5/2018	Roach	D12/414.1
D864,089	S	*	10/2019	Dorminey	D12/414.1
D887,953	S	*	6/2020	Lai	D12/414.1
2014/0231477	A1	*	8/2014	Perkins	B60R 11/06
						224/404

* cited by examiner

Primary Examiner — Katrina A Betton

(74) *Attorney, Agent, or Firm* — Colorado Patents; Brian D. Smith

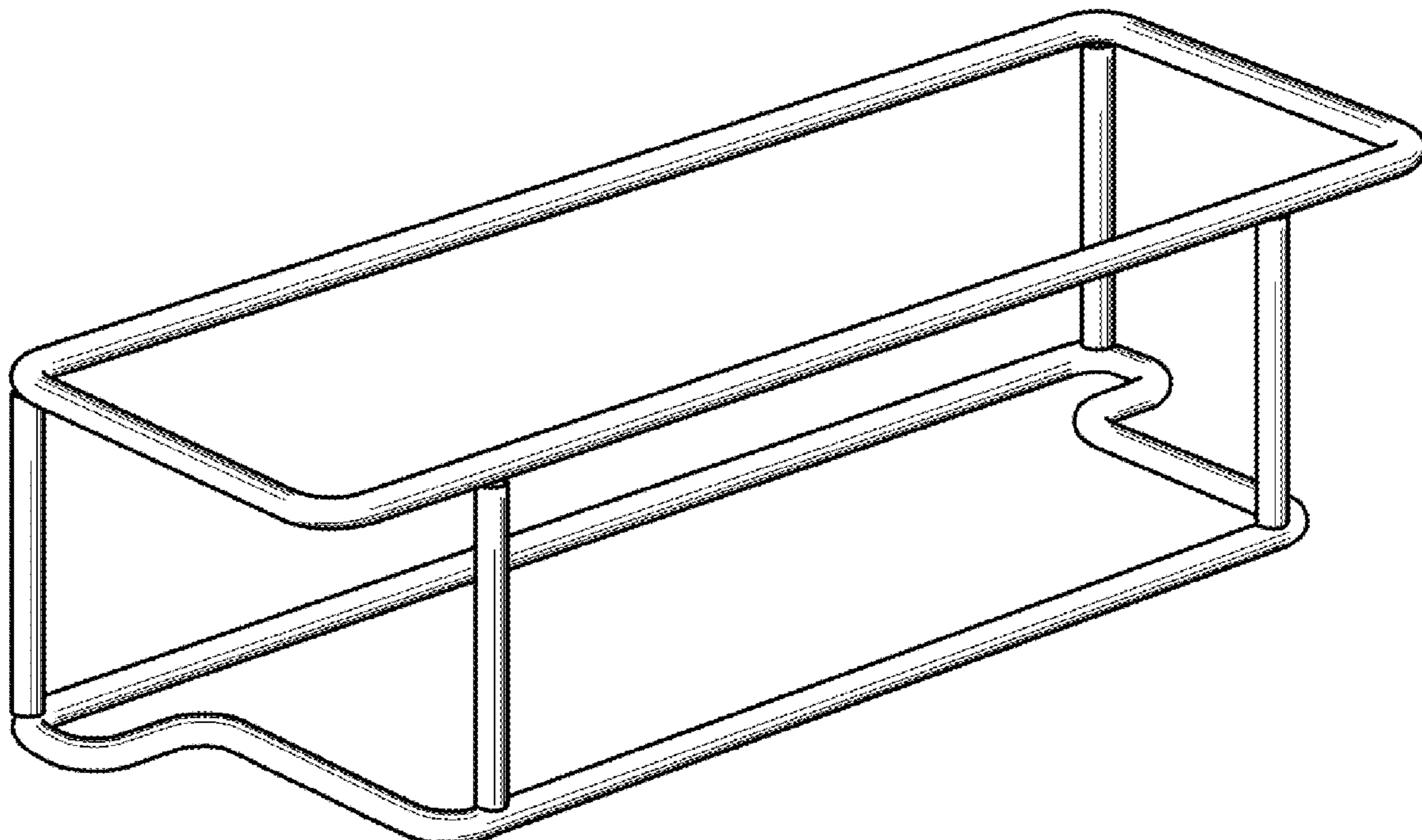
(57) **CLAIM**

The ornamental design for a frame for a truck bed storage container, as shown and described.

DESCRIPTION

FIG. 1 is a perspective view of a first embodiment of my new design for a frame for a truck bed storage container;
FIG. 2 is a top plan view of the frame for a truck bed storage container of FIG. 1;
FIG. 3 is a bottom plan view of the frame for a truck bed storage container of FIG. 1;
FIG. 4 is a front view of the frame for a truck bed storage container of FIG. 1;
FIG. 5 is a rear view of the frame for a truck bed storage container of FIG. 1;
FIG. 6 is a right side view of the frame for a truck bed storage container of FIG. 1; and,
FIG. 7 is a left side view of the frame for a truck bed storage container of FIG. 1.

1 Claim, 1 Drawing Sheet



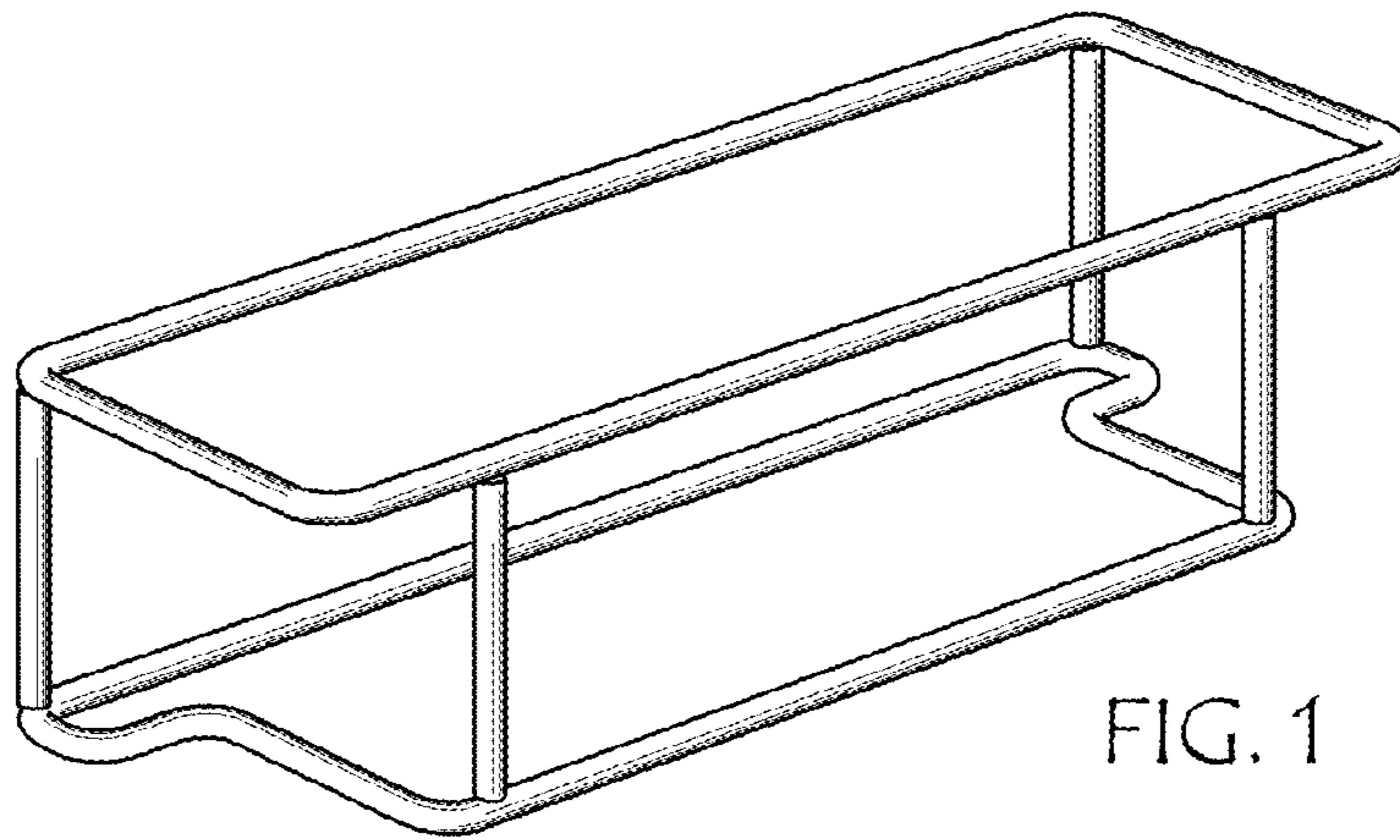


FIG. 1

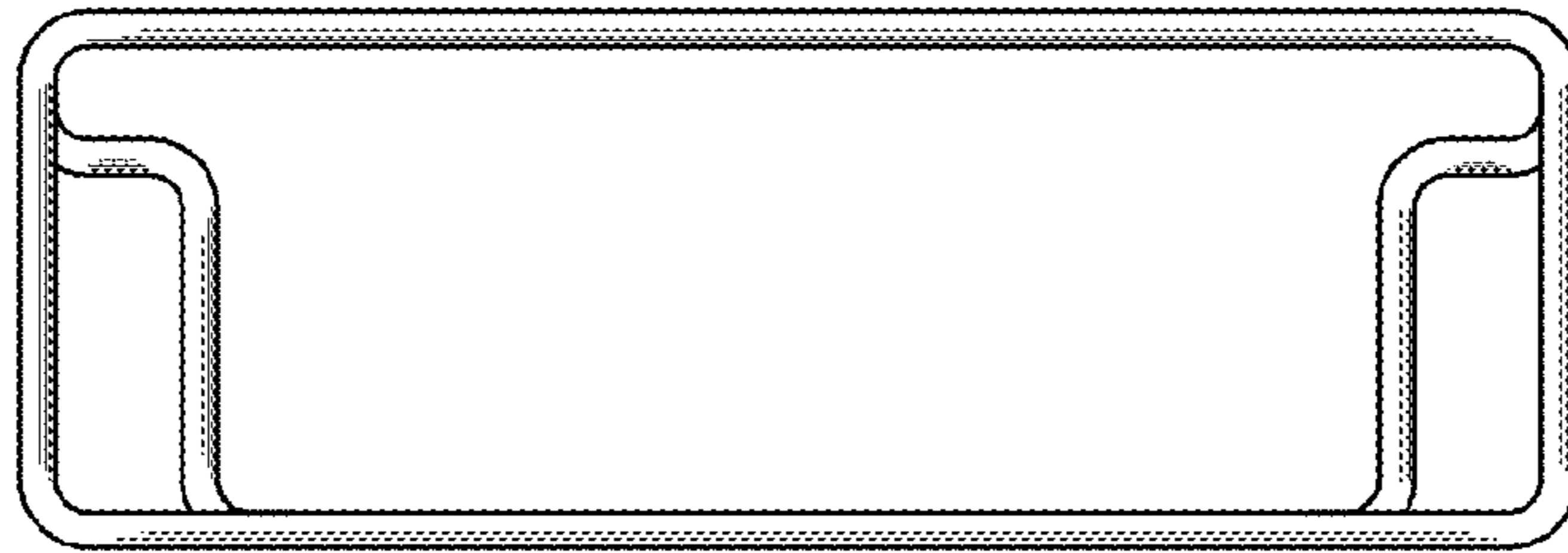


FIG. 2

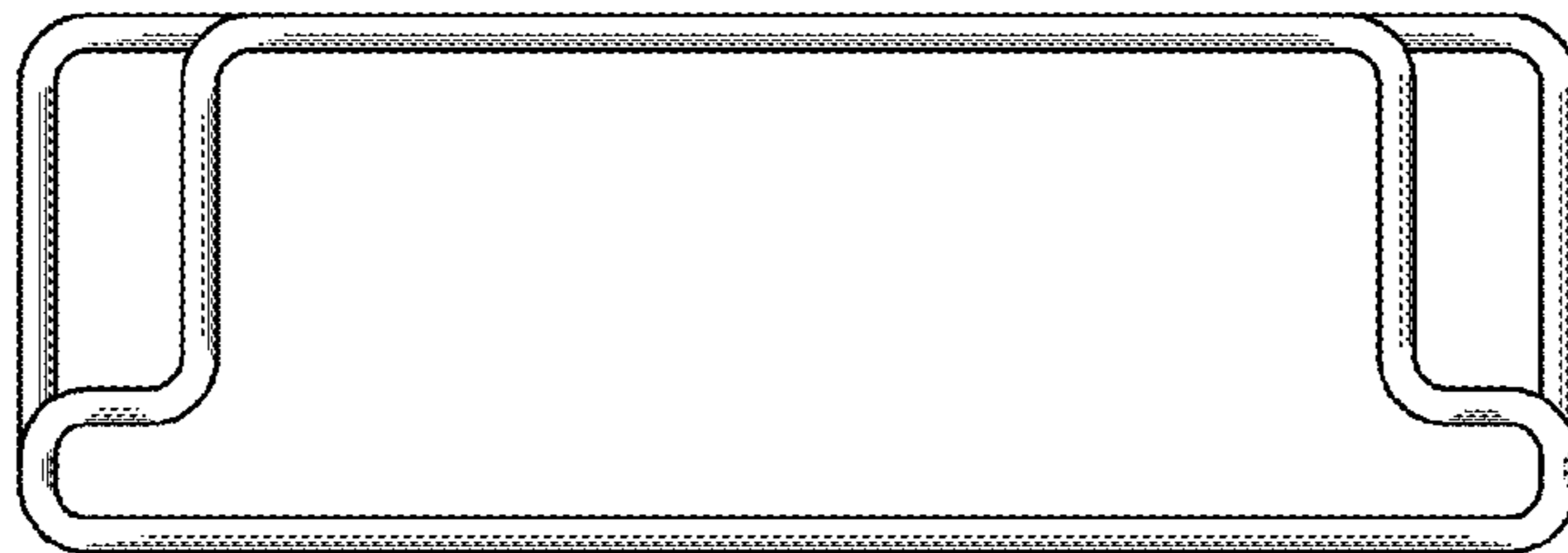


FIG. 3

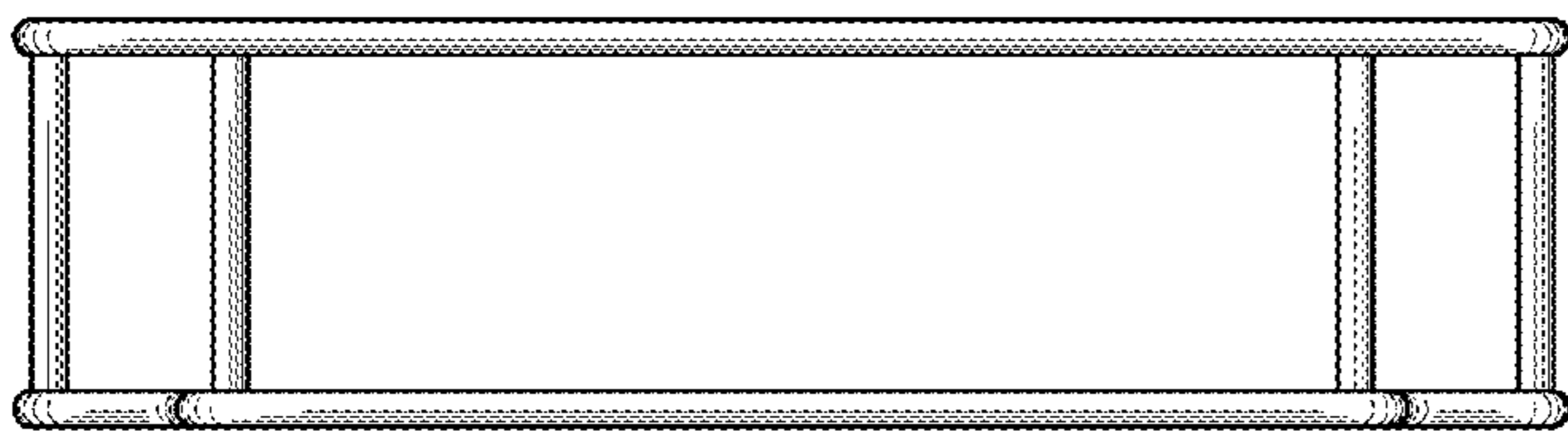


FIG. 4

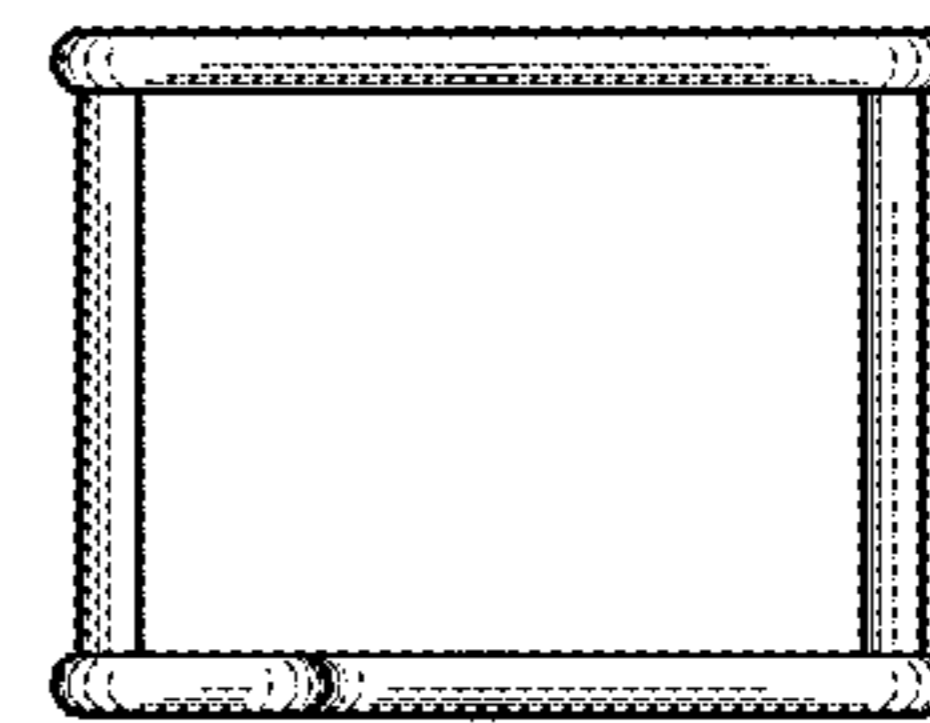


FIG. 6

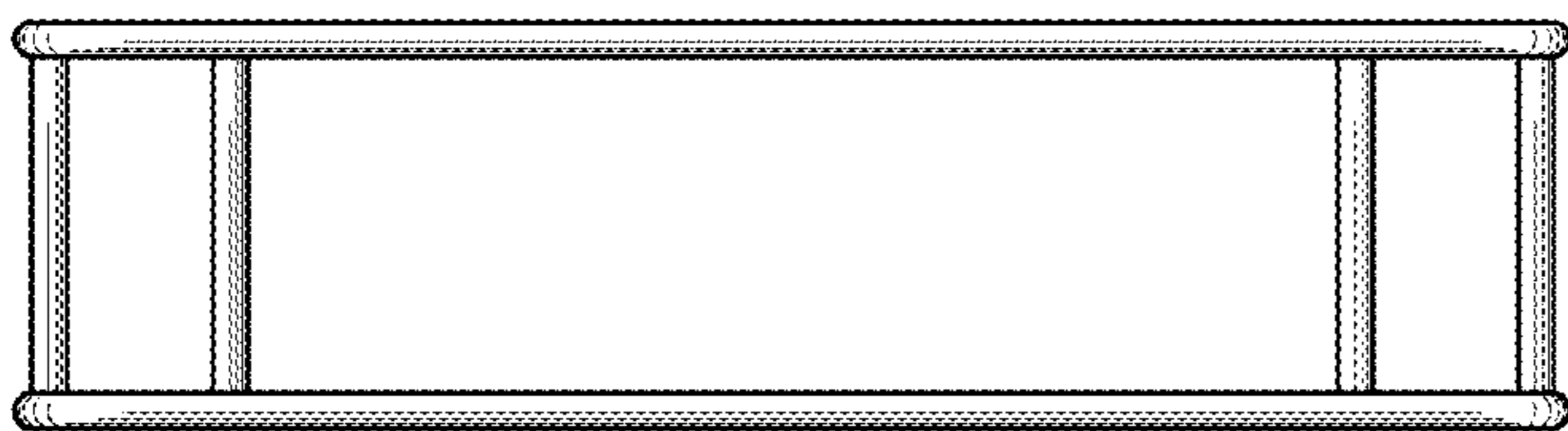


FIG. 5

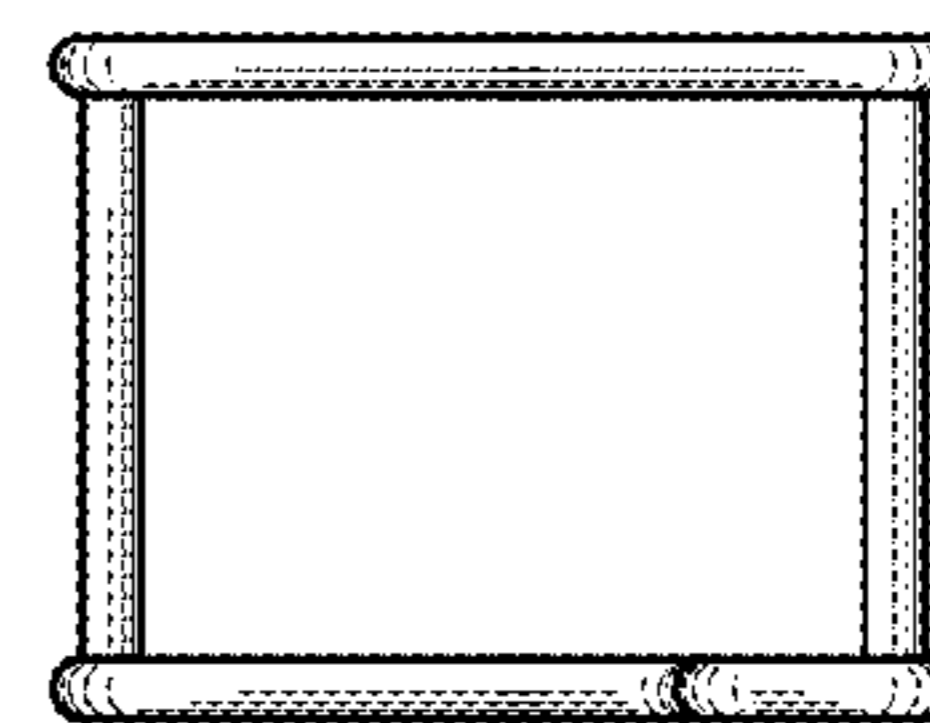


FIG. 7