



US00D950472S

(12) **United States Design Patent** (10) **Patent No.:** **US D950,472 S**
Fisher (45) **Date of Patent:** **** May 3, 2022**

- (54) **STORAGE PANEL** 6,331,027 B1 † 12/2001 Wiedmayer B60N 2/882
 296/37.8
 (71) Applicant: **Valhalla Off-road Research Inc,** D455,688 S † 4/2002 Conway D12/185
 Sumner, WA (US) D455,989 S † 4/2002 Conway D12/185
 D471,498 S † 3/2003 Inukai D12/184
 (72) Inventor: **Ian Fisher,** Auburn, WA (US) D491,004 S † 6/2004 Nemec D6/703
 6,820,923 B1 * 11/2004 Bock B60R 13/08
 181/286
 (73) Assignee: **Valhalla Off-Road Research Inc.,** 7,644,449 B2 † 1/2010 Hellweg A41D 13/0012
 Sumner, WA (US) 2/247
 D641,671 S † 7/2011 Reid D12/181
 (**) Term: **15 Years** D678,167 S † 3/2013 Frost D12/223
 8,449,701 B2 * 5/2013 Allen B60R 13/08
 156/79
 (21) Appl. No.: **29/786,770** 8,931,673 B2 † 1/2015 Stevens, IV A45F 5/021
 224/675
 (22) Filed: **Jun. 2, 2021** 8,973,978 B2 * 3/2015 Ide G10K 11/175
 296/191

Related U.S. Application Data

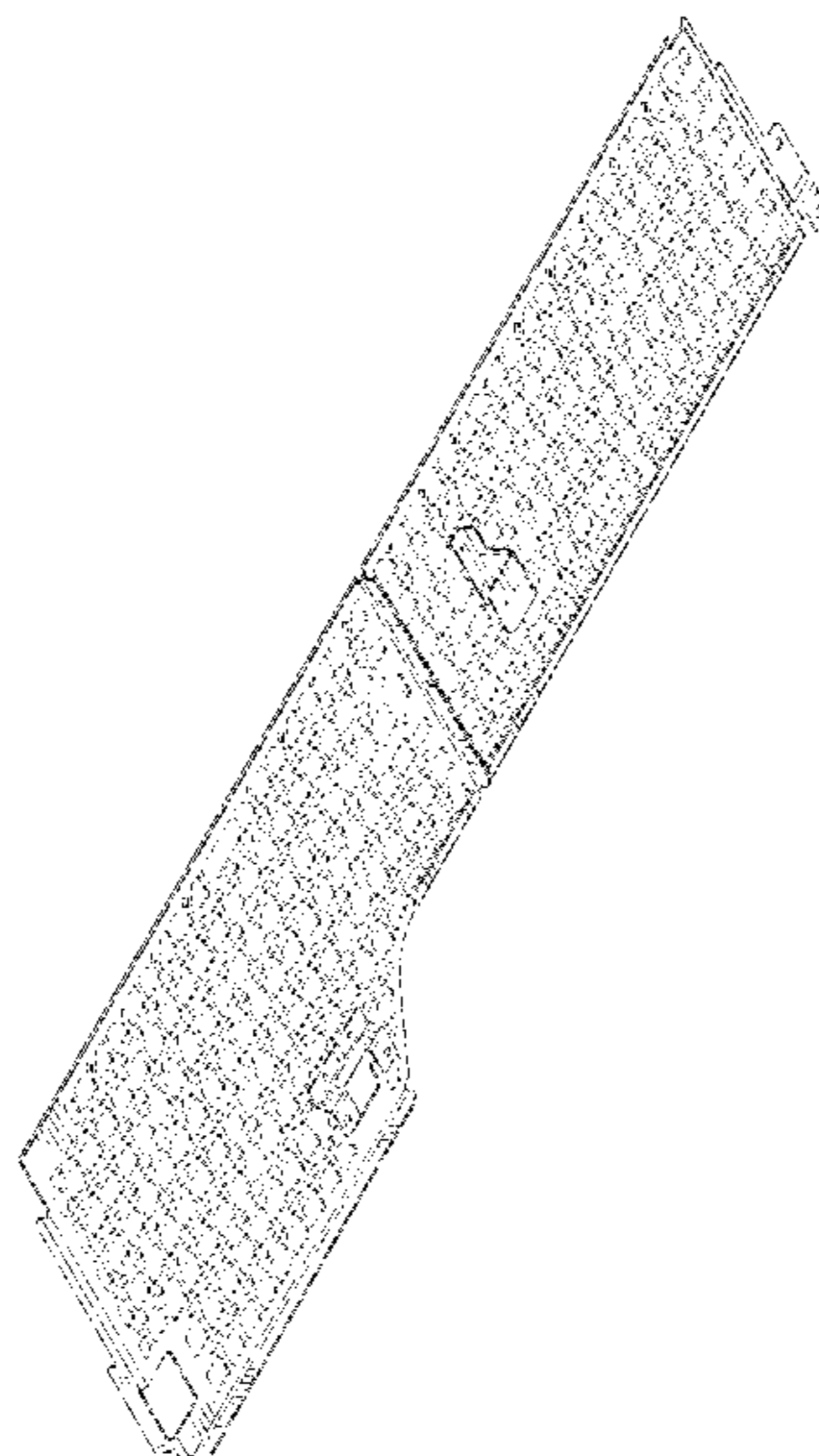
- (63) Continuation-in-part of application No. 29/688,752,
 filed on Apr. 24, 2019, now Pat. No. Des. 924,122.
 (51) **LOC (13) Cl.** **12-16**
 (52) **U.S. Cl.**
 USPC **D12/406**
 (58) **Field of Classification Search**
 USPC D12/181, 184, 186, 196, 400, 406, 412,
 D12/414, 414.1, 415
 CPC B60R 13/00; B60R 13/08; B32B 27/08;
 B62D 25/02; B62D 25/16; B62D 25/18
 See application file for complete search history.

References Cited

U.S. PATENT DOCUMENTS

- D257,968 S † 1/1981 Rice D12/196
 D332,442 S † 1/1993 Simpson, Sr. D13/119
 5,221,119 A † 6/1993 Emery B60R 13/01
 220/495.01
 D350,526 S † 9/1994 Wayne D12/406
 D365,323 S † 12/1995 Napierkowski D12/196
 5,716,091 A † 2/1998 Wiczorek B60R 5/04
 224/275
 D394,240 S † 5/1998 Cucheran D12/412
 D421,738 S † 3/2000 Gribble D12/414.1
 D446,495 S † 8/2001 Kolpin D12/406

- D754,055 S * 4/2016 Harrison D12/406
 9,565,922 B2 † 2/2017 Cole F42B 39/02
 D784,113 S † 4/2017 Rago D8/354
 D784,114 S † 4/2017 Rago D8/354
 D784,115 S † 4/2017 Rago D8/354
 D786,158 S † 5/2017 Ito D12/184
 D787,918 S † 5/2017 Rago D8/354
 9,664,481 B2 † 5/2017 Alcantra A45F 3/06
 D796,938 S † 9/2017 Rago D8/354
 D797,032 S * 9/2017 Dagrossa D12/400
 9,834,151 B2 † 12/2017 Henry B60R 9/00
 9,914,409 B2 * 3/2018 Osada G10K 11/172
 D820,003 S † 6/2018 Capdepon D6/553
 D821,288 S * 6/2018 Huang D12/406
 10,427,623 B2 † 10/2019 Siqueira B60R 7/046
 10,780,836 B1 † 9/2020 Fisher B60R 9/06
 D901,349 S * 11/2020 Ninov D12/196
 D902,126 S * 11/2020 Badillo D12/412
 D908,573 S * 1/2021 Langhals D12/196
 D911,913 S * 3/2021 Tian D12/406
 D912,606 S * 3/2021 Chen D12/412
 D924,122 S * 7/2021 Fisher D12/406
 2005/0236867 A1 † 10/2005 McNulty B62D 33/023
 296/183.1
 2007/0045368 A1 † 3/2007 Lavelle B60R 9/00
 224/524
 2009/0014602 A1 † 1/2009 Frost B60R 7/08
 248/100
 2013/0193179 A1 † 8/2013 Davidson A45C 13/001
 224/585
 2018/0170452 A1 † 6/2018 Reiners B62D 33/0273
 2019/0092213 A1 † 3/2019 Beenen B60R 7/00



FOREIGN PATENT DOCUMENTS

WO WO 2018/150389 8/2018
 WO WO-WO ‡ 8/2018
 2018/150389

OTHER PUBLICATIONS

“Storage Panels.”(Design—© Questel) orbit.com. [Online PDF compilation of references] 42 pgs. Print Dates Range Jan. 18, 2019-May 9, 2011 [Retrieved Sep. 8, 2021].*

“Amazing Tacoma Bed Storage System! Bed Molle Racks” Feb. 27, 2020. Youtube. https://www.youtube.com/watch?v=3KF1ApwSp_E.*

“JT Bed Side MOLLE and Accessory Storage Panel.” Before Oct. 31, 2019. JC Off Road, <https://www.jcroffroad.com/product/JTRMP-PC.html>.*

“Rough Country Drivers. Passenger Side Molle Rack System.” Dec. 21, 2020. Amazon, https://www.amazon.com/Rough-Country-Passenger-Tacoma-73104/dp/B08R42DRT5/ref=asc_df_B08R42DRT5/?tag=hyprod-208.linkCode=df08.hvaidid=5076454026998.hvpos=8.hvnetw=g8.hvrand=144764756742937076458.hvpone=8.hvptwo=8.hvqmt=8.hvdev=c8.hvdvcmdl=&hvlo.*

Ron, Group Buy #17—Rear Seat MOLLE Panels and Bed Management System for 2nd/3rd gen DC or AC., Tacoma World, <<https://www.tacomaworld.com/threads/group-buy-17-rear-seat-molle-panels-and-bed-management-system-for-2nd-3rd-gen-dc-or-ac.410254/>>, published Jan. 13, 2016, accessed Jul. 29, 2019, all pages pertinent, 21 total pages.‡

JL Rear Door Folding Tray/Moplle Panel, Riser and Bag Combo, Springtail Solutions, <http://store.springtailsolutions.com/JL-Rear-Door-Folding-TrayMOLLE-Panel-Riser-and-Bag-Combo-_p_80.html>, accessed Apr. 18, 2019, all pages pertinent, five total pages.‡

JL Rear Door Folding Tray/Molle Panel, Springtail Solutions, <http://store.springtailsolutions.com/JL-Rear-Door-Folding-TrayMOLLE-Panel_p_73.html>, accessed Apr. 18, 2019, all page pertinent, four total pages.‡

Welcome to Springtail Solutions, Springtail Solutions, <<http://store.springtailsolutions.com/?fbclid=IwAR2IZmWg2HG-b6YALhEAnUdu0vsgGYumOhylS0z7FGhMYeHzVoh9fxOOYJU>>, accessed Apr. 18, 2019, all pages pertinent, two total pages.‡

FJ Cruiser Rear Door Folding Molle Rack Combo, Springtail Solutions, <http://store.springtailsolutions.com/FJ-Cruiser-Rear-Door-Folding-MOLLE-Rack-Combo_p_50.html>, accessed Apr. 18, 2019, all page pertinent, five total pages.‡

2005-2020 Toyota Tacoma Bed Molle System for Bakflip Cover, Cali Raised LED, <<https://caliraisedled.com/collections/2016-2020-toyota-tacoma/products/copy-of-2005-2019-toyota-tacoma-bed-molle-system>>, accessed Apr. 22, 2019, all pages pertinent, two total pages.‡

2005-2020 Toyota Tacoma Bed Molle System, Cali Raised LED, <<https://www.builtrightind.com/products/builtright-industries-mbrs-fseries-kit>>, accessed Apr. 18, 2019, all pages pertinent, two total pages.‡

BuiltRight Industries Bedside Rack System 4 Panel Kit—2015-2019 Ford F-150, Builtirhgt Industries, <<https://www.builtrightind.com/products/builtright-industries-mbrs-fseries-kit>>, accessed Apr. 18, 2019, all pages pertinent, five total pages.‡

Welcome to Springtail Solutions, Springtail Solutions, <<http://store.springtailsolutions.com/?fbclid=IwAR2IZmWg2HG-b6YALhEAnUdu0vsgGYumOhylS0z7FGhMYeHzVoh9fxOOYJU>>, accessed Apr. 18, 2019, all pages pertinent, two total pages.

JL Rear Door Folding Tray/Molle Panel, Springtail Solutions, <http://store.springtailsolutions.com/JL-Rear-Door-Folding-TrayMOLLE-Panel_p_73.html>, accessed Apr. 18, 2019, all pages pertinent, four total pages.

FJ Cruiser Rear Door Folding Molle Rack Combo, Springtail Solutions, <http://store.springtailsolutions.com/FJ-Cruiser-Rear-Door-Folding-MOLLE-Rack-Combo_p_50.html>, accessed Apr. 18, 2019, all pages pertinent, five total pages.

Builright Industries, <<https://builtrightind.com/collections/bedside-rack-systems/products/bedside-rack-system-4pc-kit-ford-ranger-6ft-bed-2019>>, Published on or after Dec. 3, 2020, 5 Pages.

* cited by examiner

‡ imported from a related application

Primary Examiner — Manpreet S Matharu

Assistant Examiner — Suzanne E Tisdell

(74) *Attorney, Agent, or Firm* — John J. Bamert, Esq.; Bamert Regan

(57)

CLAIM

I claim the ornamental design for a storage panel, as shown.

DESCRIPTION

FIG. 1 is a rear isometric perspective view of a first embodiment of a storage panel.

FIG. 2 is a front isometric perspective view of thereof.

FIG. 3 is an isometric top view thereof.

FIG. 4 is an isometric bottom thereof.

FIG. 5 is an isometric left elevational view thereof.

FIG. 6 is an isometric right elevational view thereof.

FIG. 7 is an isometric rear elevational view thereof.

FIG. 8 is an isometric front elevational view thereof.

FIG. 9 is a front isometric perspective view of a second embodiment of a storage panel.

FIG. 10 is a rear isometric perspective view of the second embodiment.

FIG. 11 is an isometric top view of the second embodiment.

FIG. 12 is an isometric bottom of the second embodiment.

FIG. 13 is an isometric right elevational view of the second embodiment.

FIG. 14 is an isometric left elevational view of the second embodiment.

FIG. 15 is an isometric front elevational view of the second embodiment.

FIG. 16 is an isometric rear elevational view of the second embodiment.

FIG. 17 is a rear isometric perspective view of a third embodiment of a storage panel.

FIG. 18 is a front ear isometric perspective view of the third embodiment.

FIG. 19 is an isometric top view of the third embodiment.

FIG. 20 is an isometric bottom of the third embodiment.

FIG. 21 is an isometric left elevational view of the third embodiment.

FIG. 22 is an isometric right elevational view of the third embodiment.

FIG. 23 is an isometric rear elevational view of the third embodiment.

FIG. 24 is an isometric front elevational view of the third embodiment.

FIG. 25 is a front isometric perspective view of a fourth embodiment of a storage panel.

FIG. 26 is a rear isometric perspective view of the fourth embodiment.

FIG. 27 is an isometric top view of the fourth embodiment.

FIG. 28 is an isometric bottom of the fourth embodiment.

FIG. 29 is an isometric right elevational view of the fourth embodiment.

FIG. 30 is an isometric left elevational view of the fourth embodiment.

FIG. **31** is an isometric front elevational view of the fourth embodiment; and,

FIG. **32** is an isometric rear elevational view of the fourth embodiment.

Breaking lines in the drawings show portions of the storage panel that form no part of the claimed design.

1 Claim, 32 Drawing Sheets

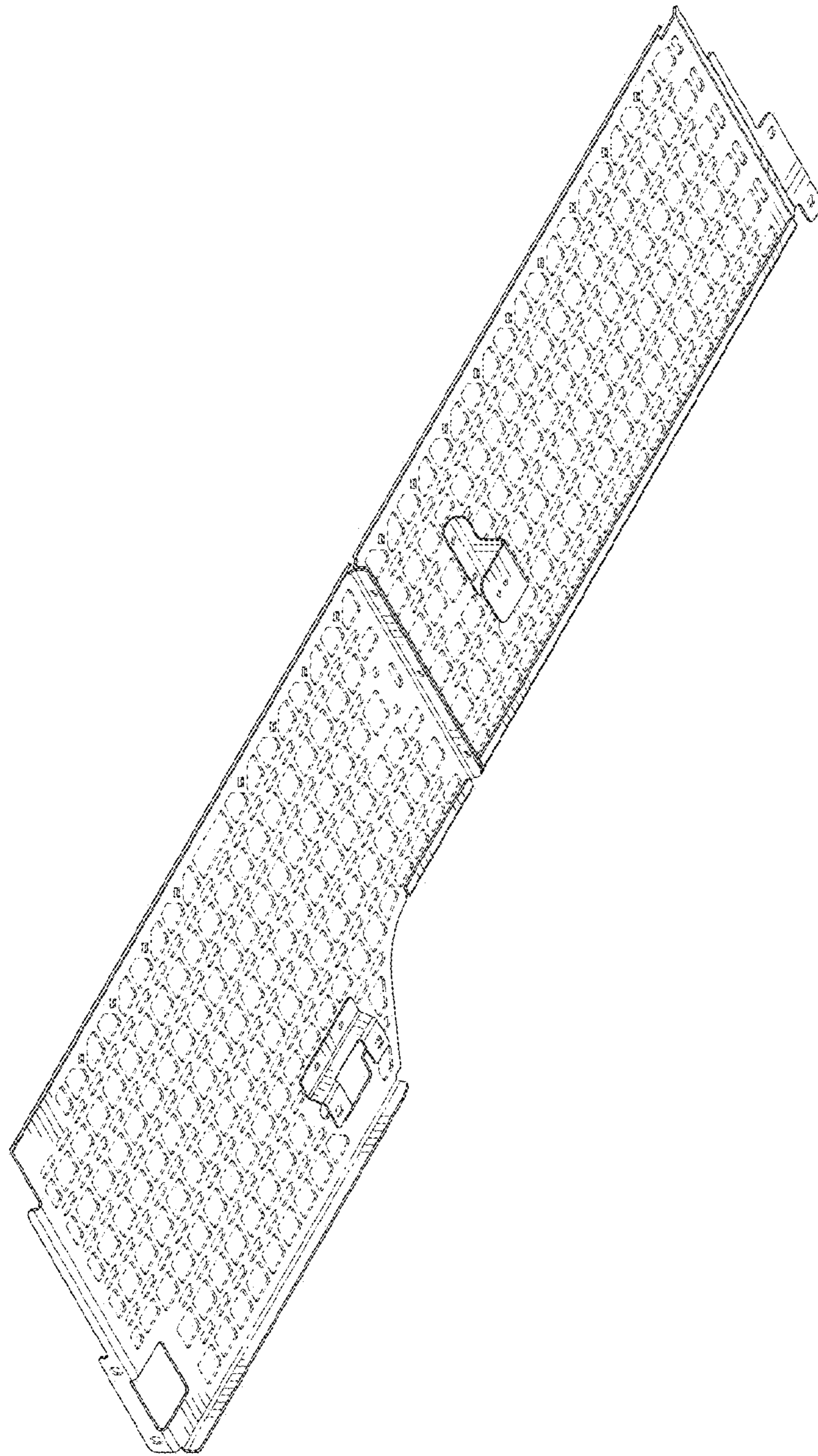


Figure 1

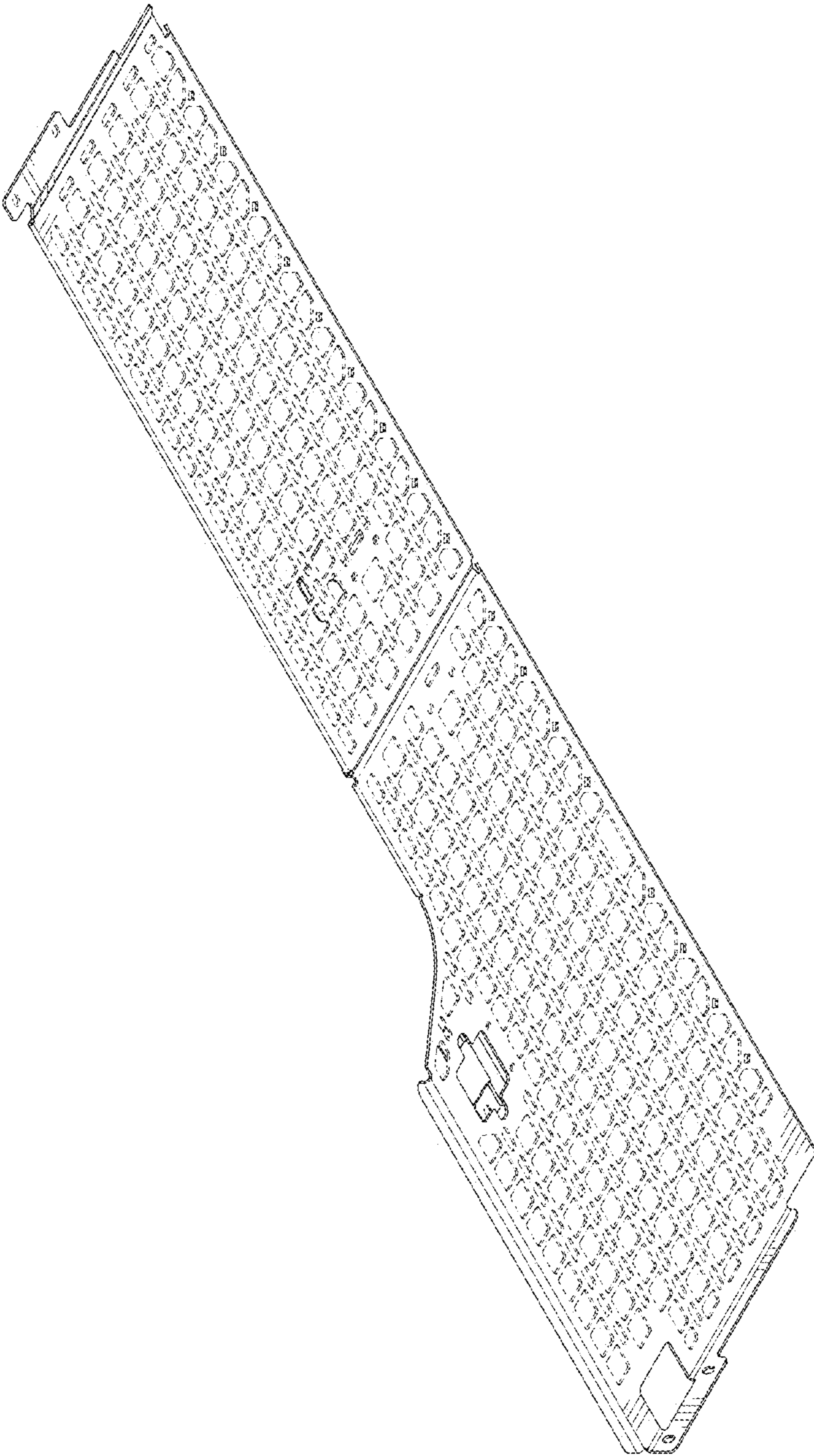


Figure 2

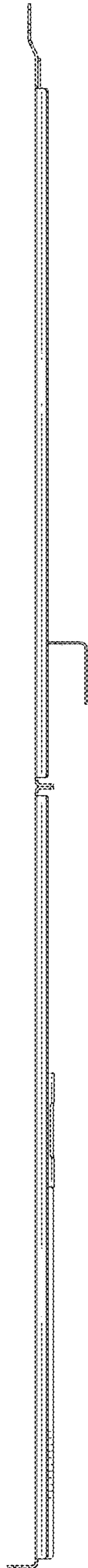


Figure 3

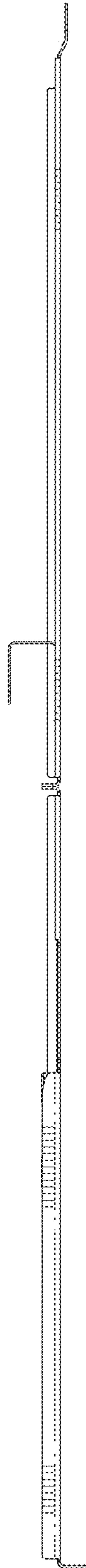


Figure 4

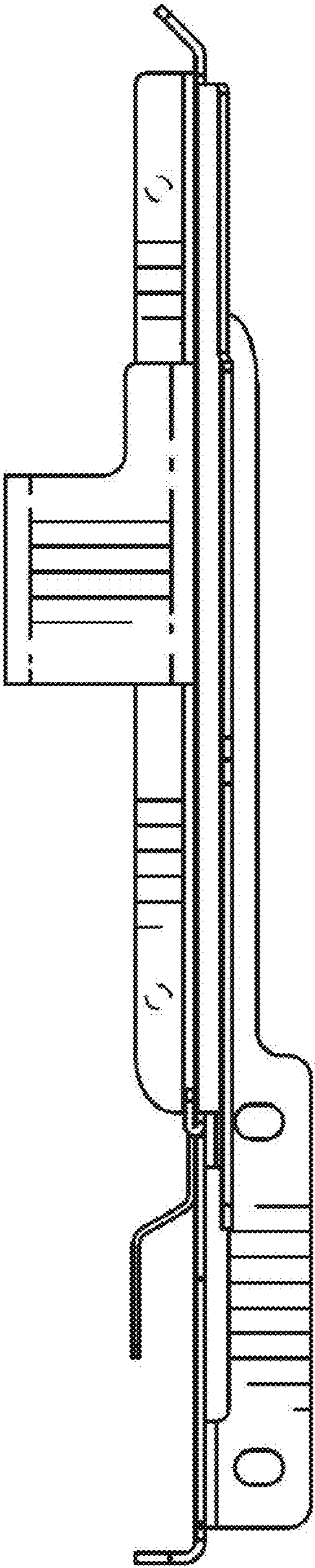


Figure 5

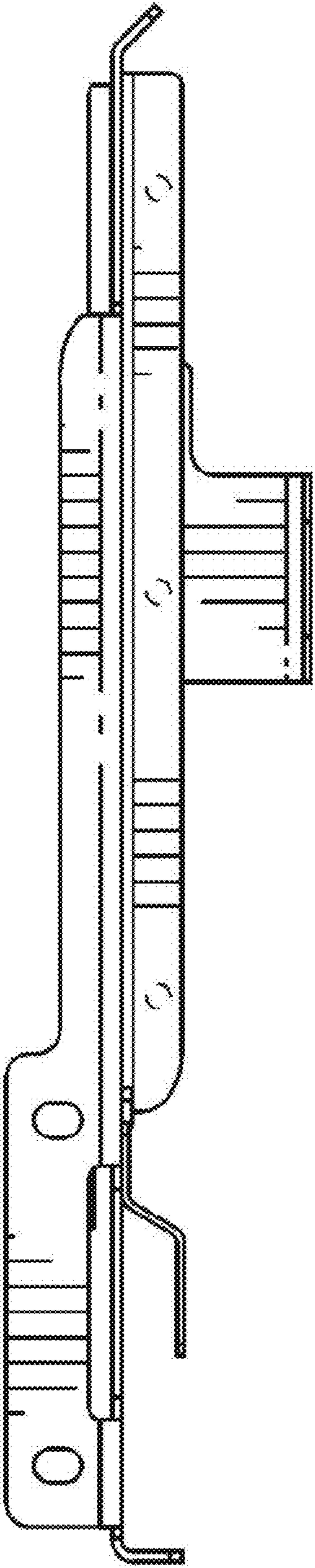


Figure 6

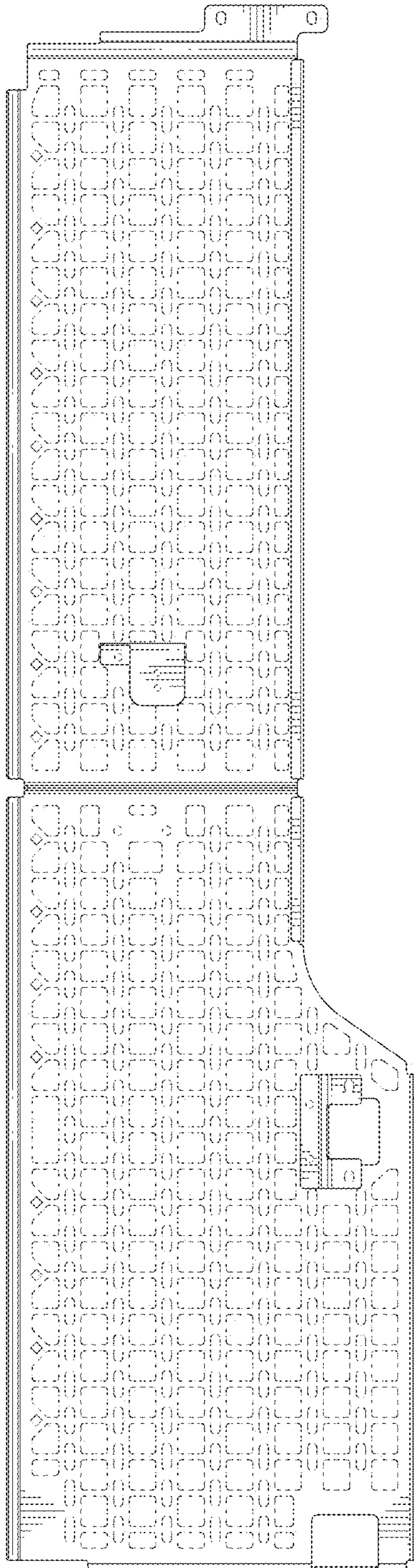


Figure 7

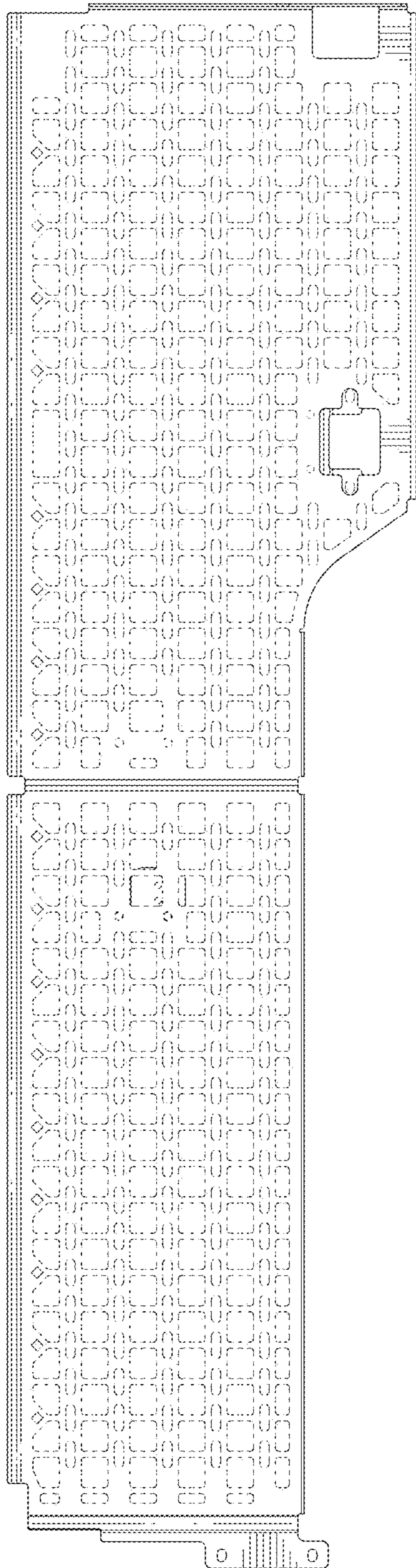


Figure 8

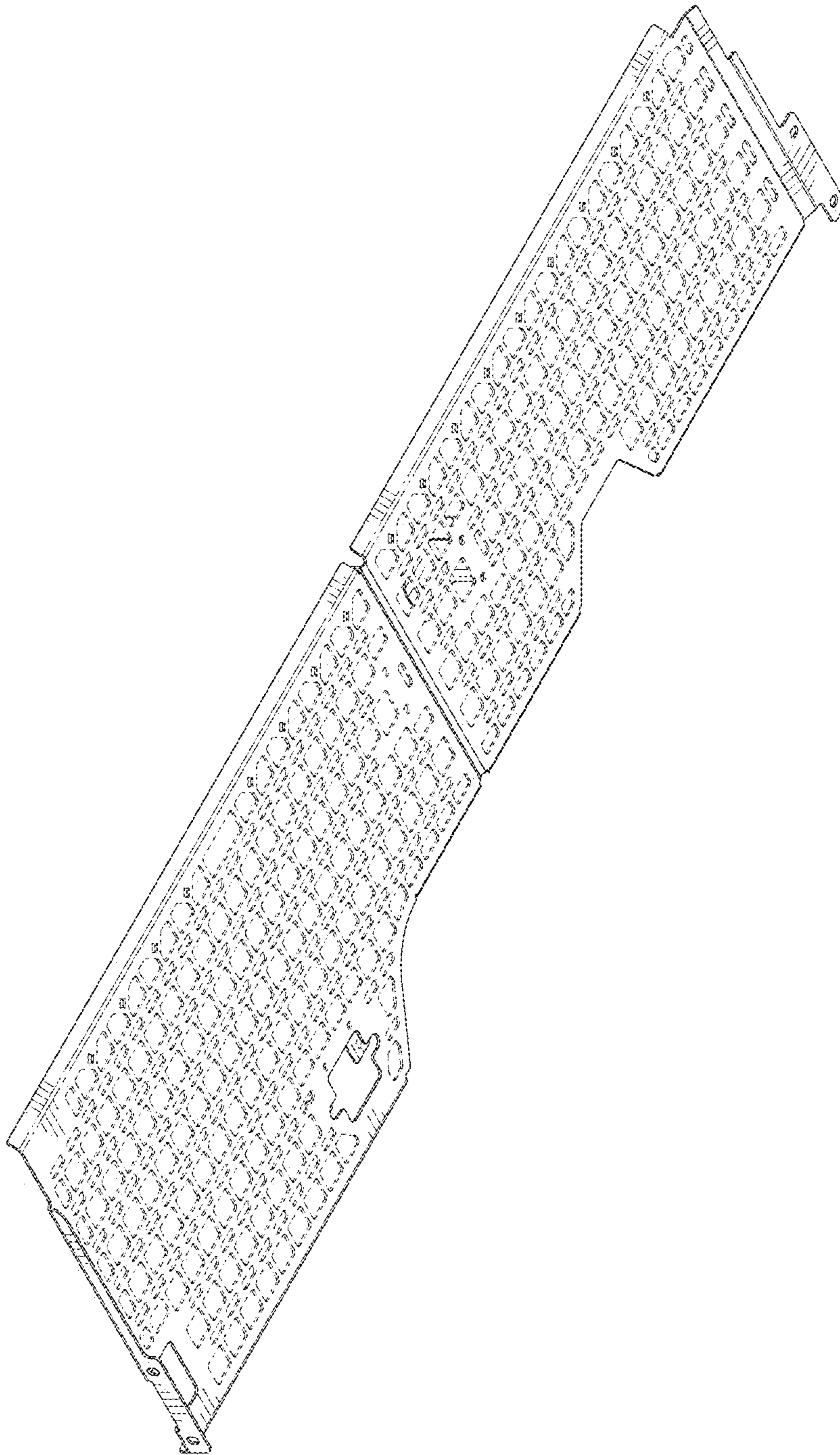


Figure 9

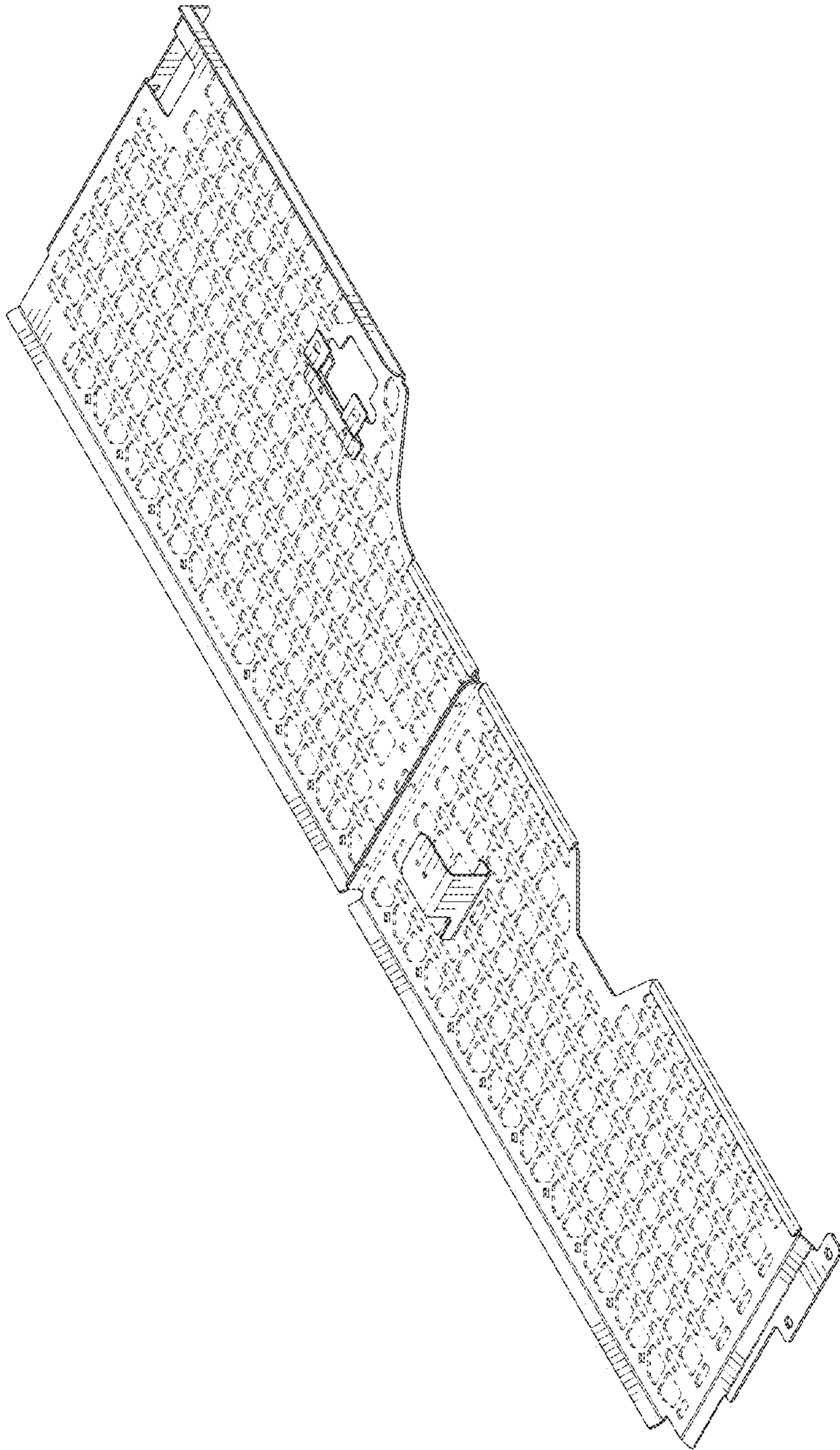


Figure 10

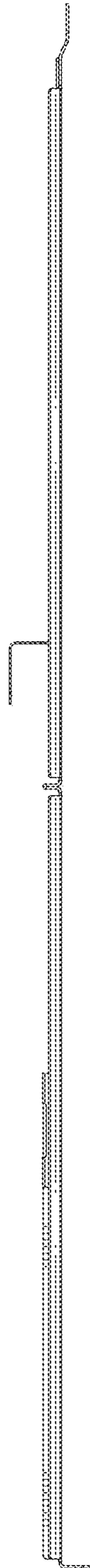


Figure 11

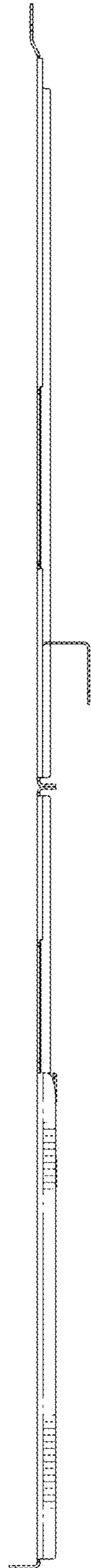


Figure 12

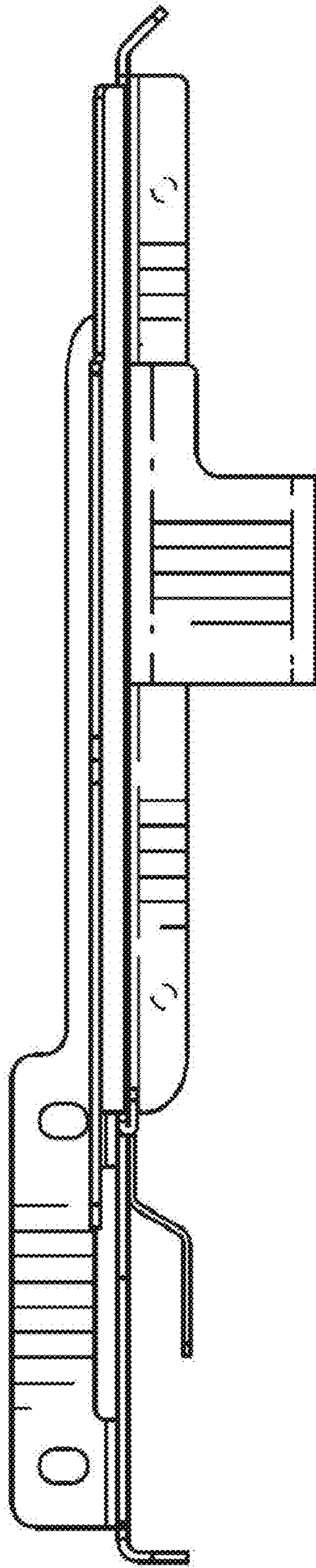


Figure 13

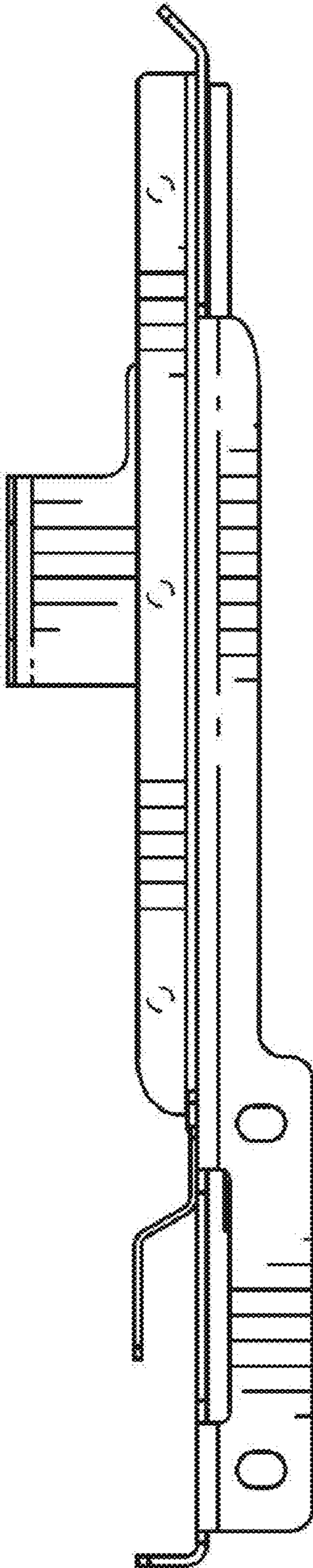


Figure 14

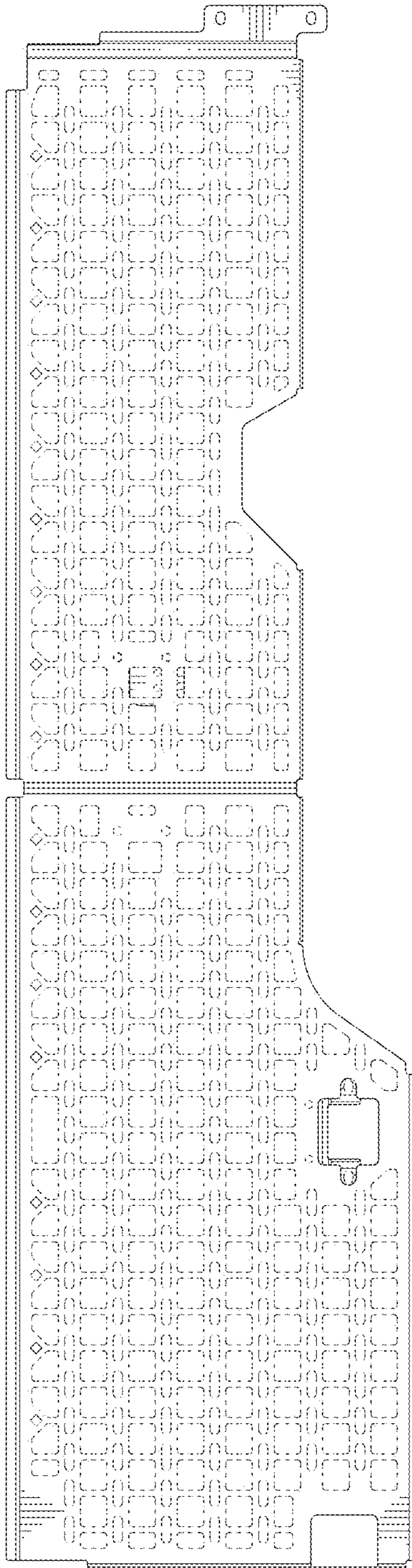


Figure 15

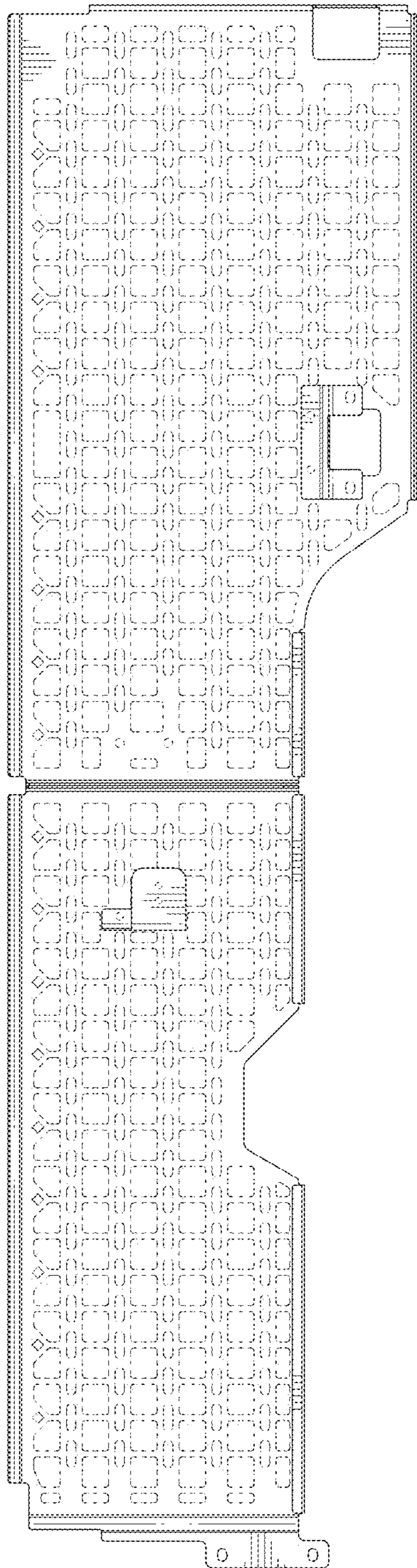


Figure 16

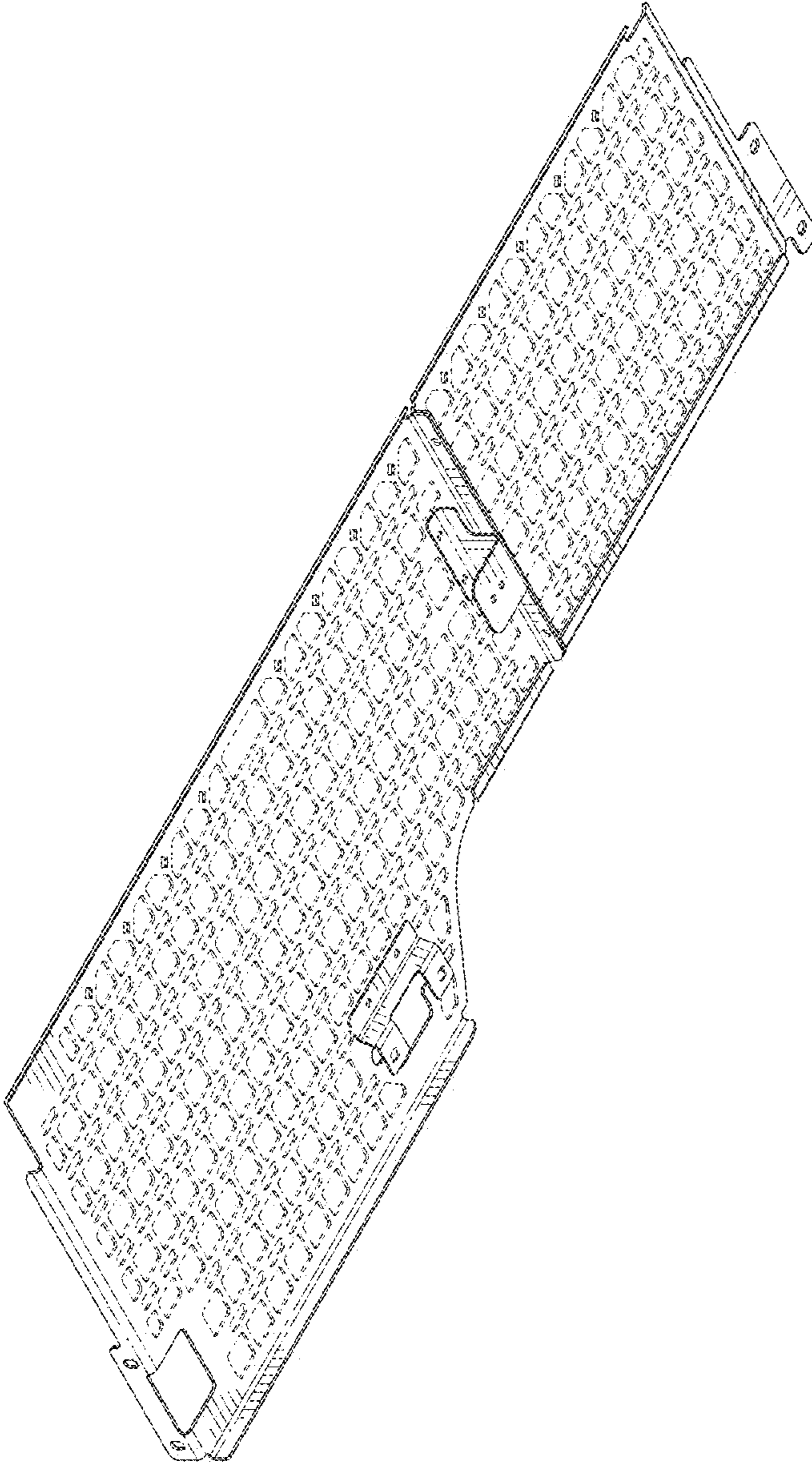


Figure 17

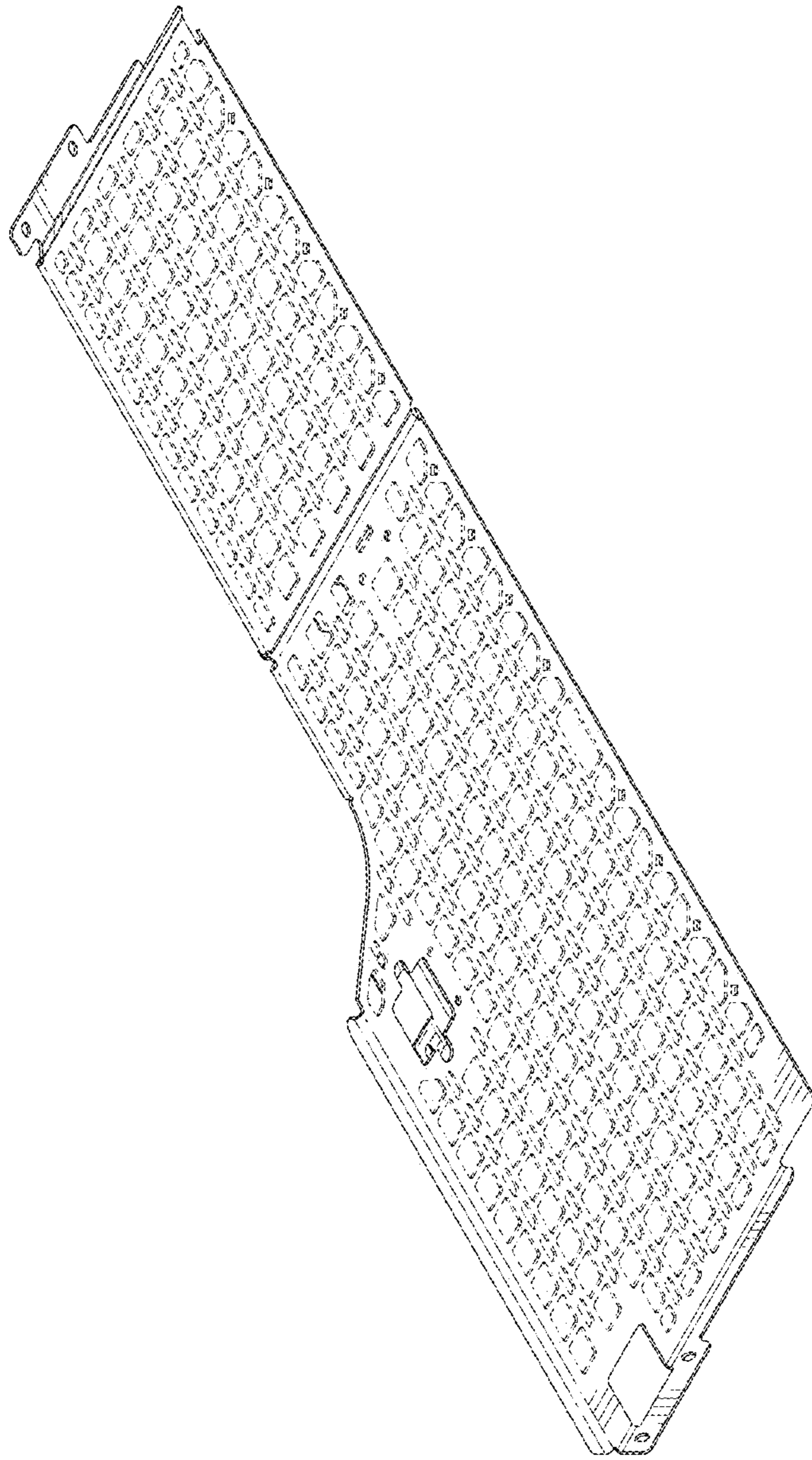


Figure 18

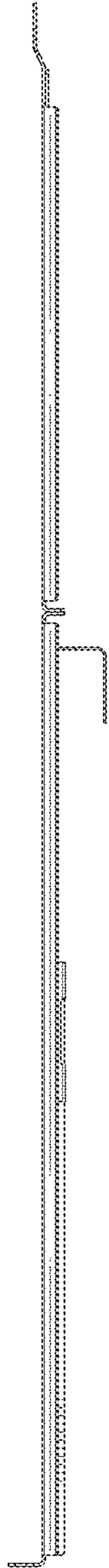


Figure 19

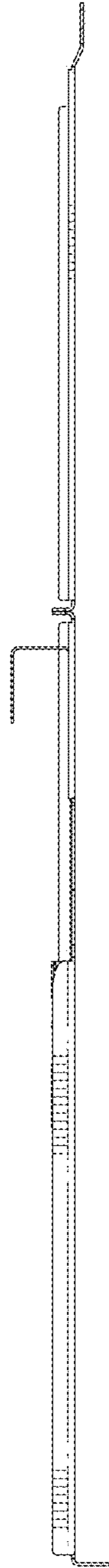


Figure 20

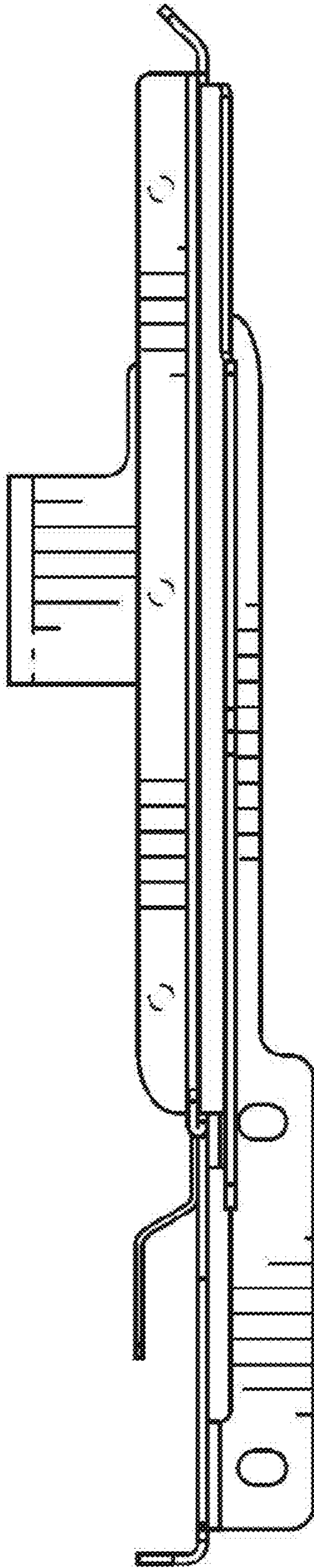


Figure 21

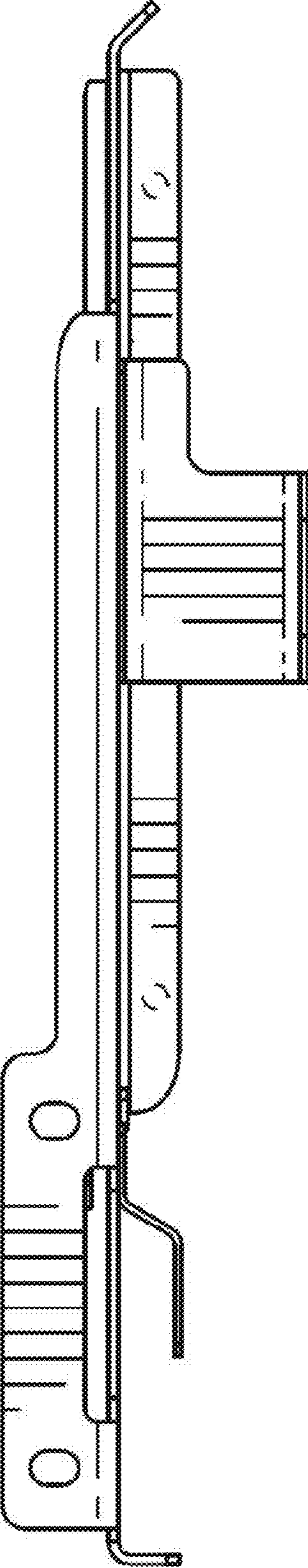


Figure 22

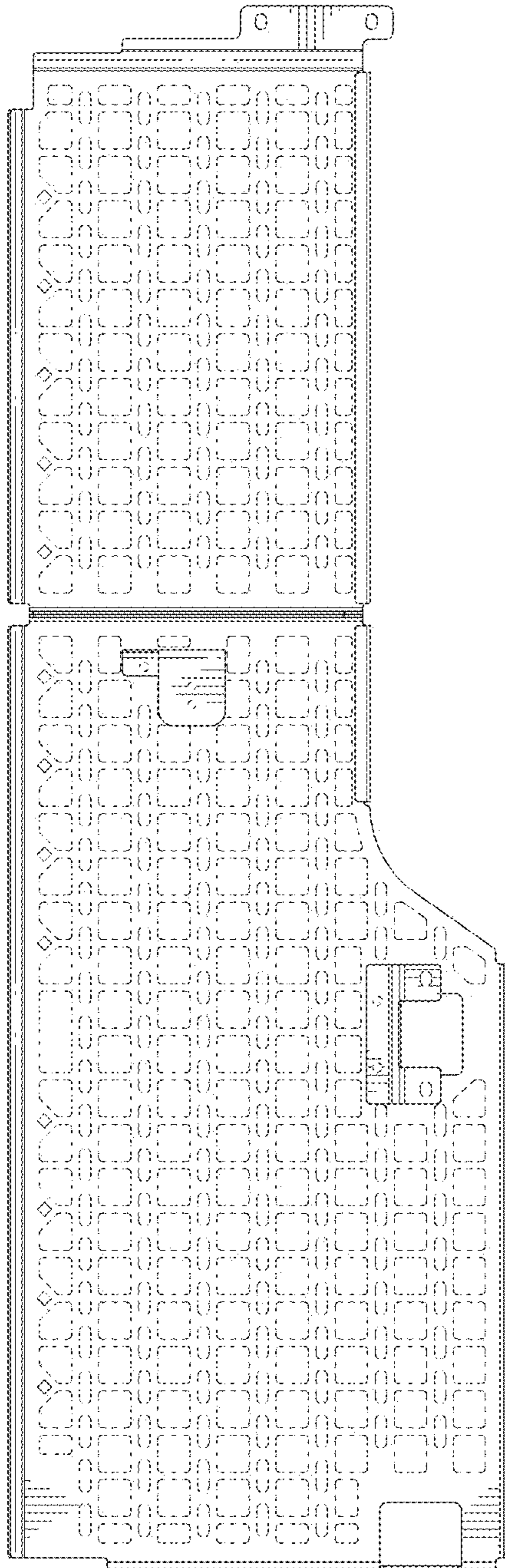


Figure 23

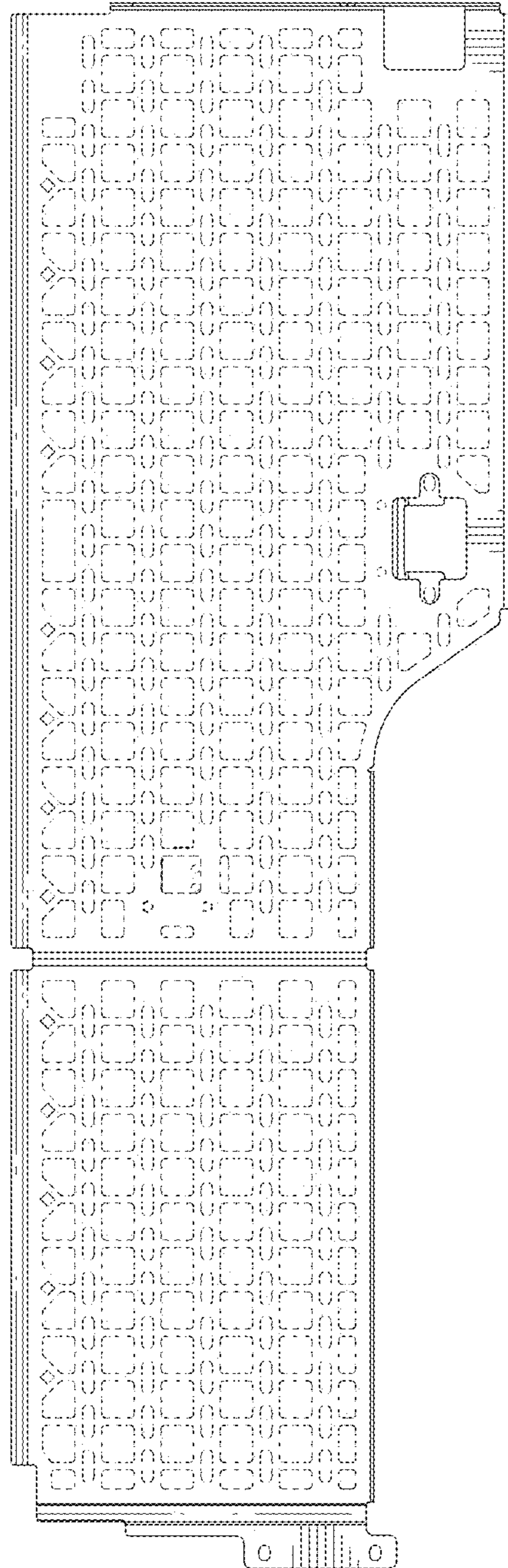


Figure 24

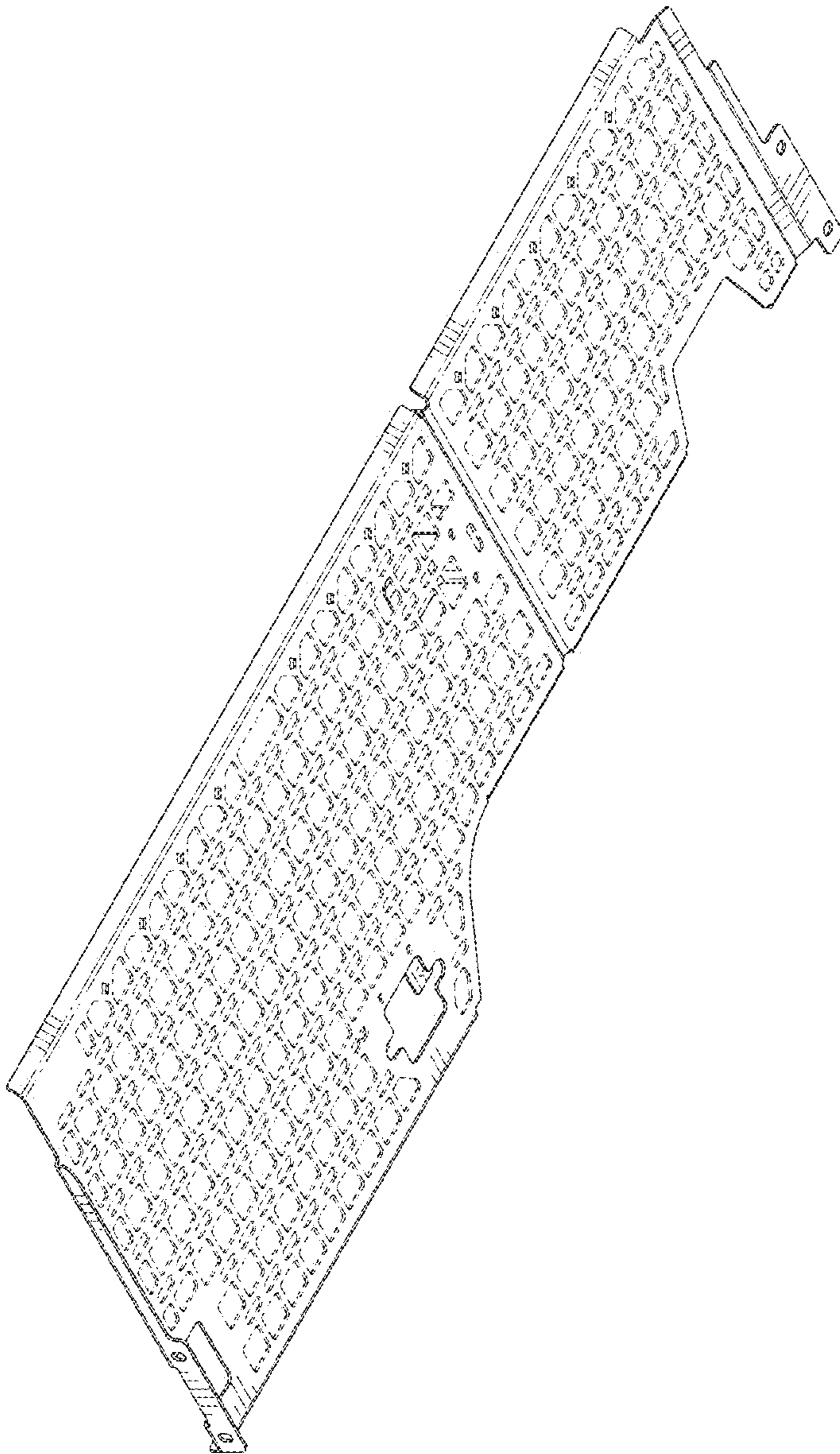


Figure 25

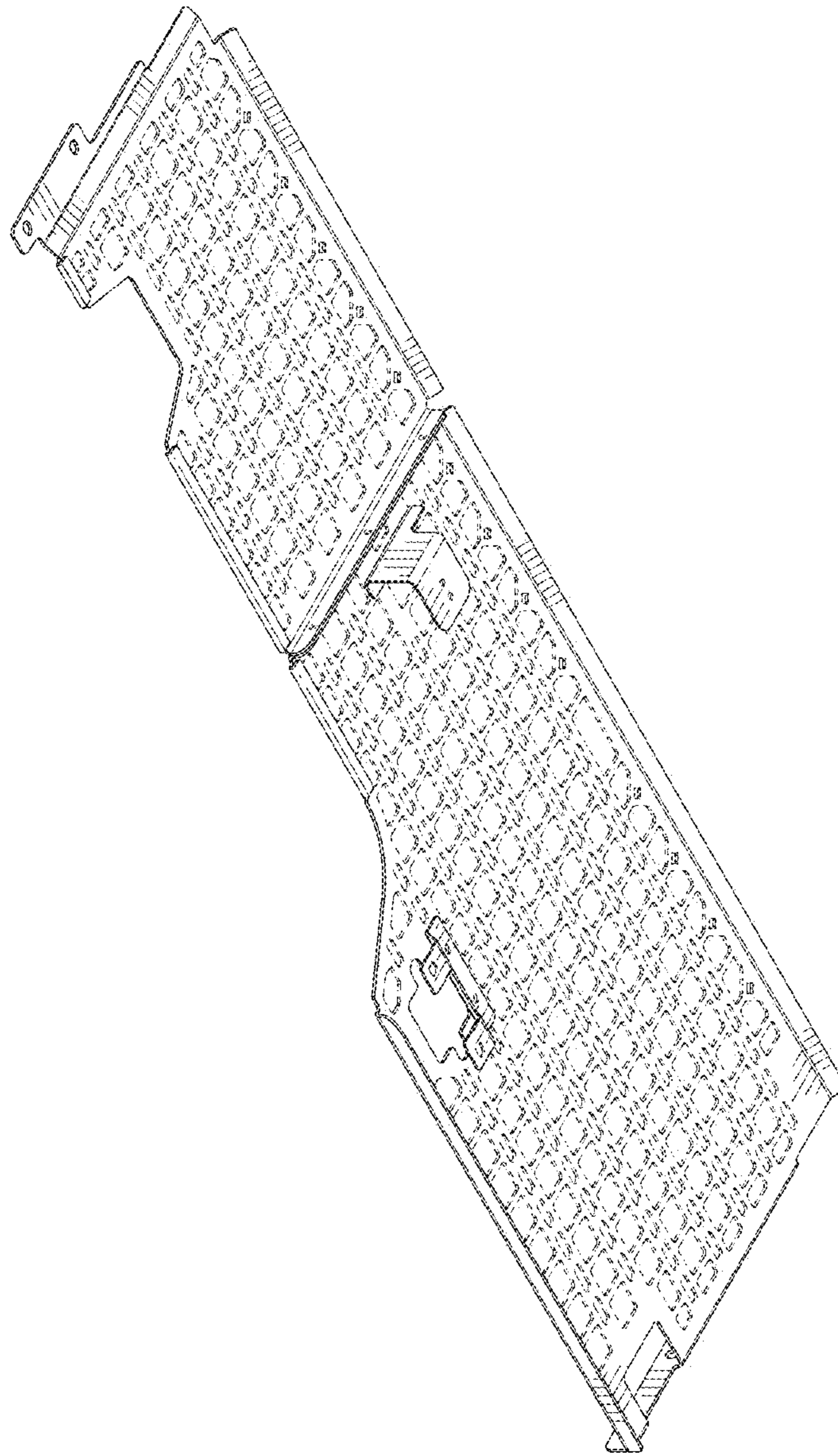


Figure 26

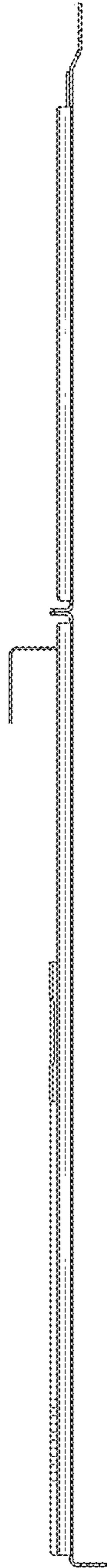


Figure 27

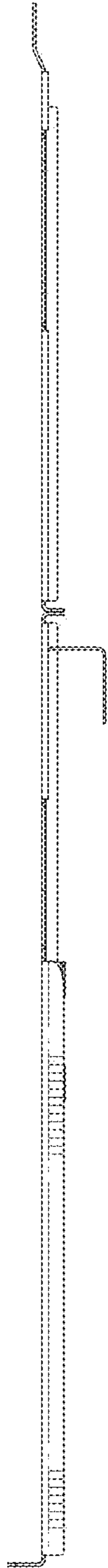


Figure 28

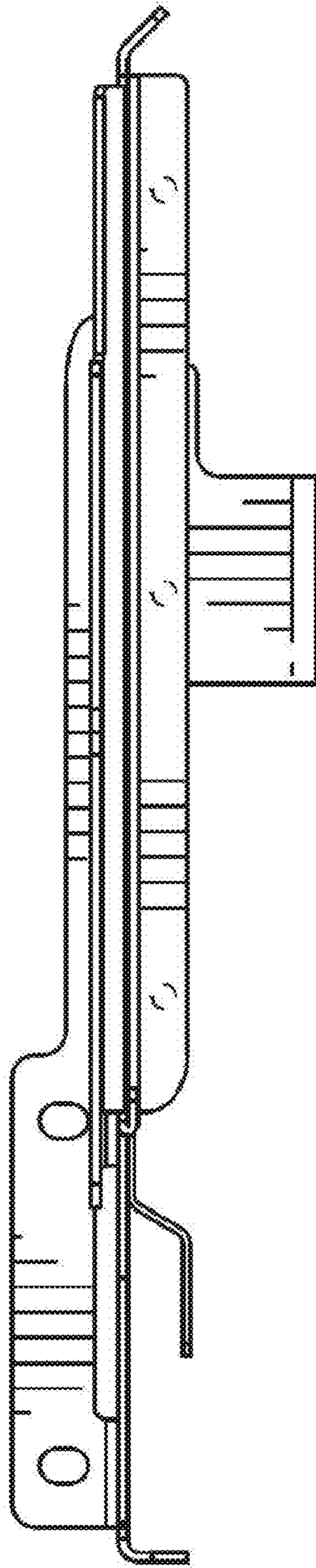


Figure 29

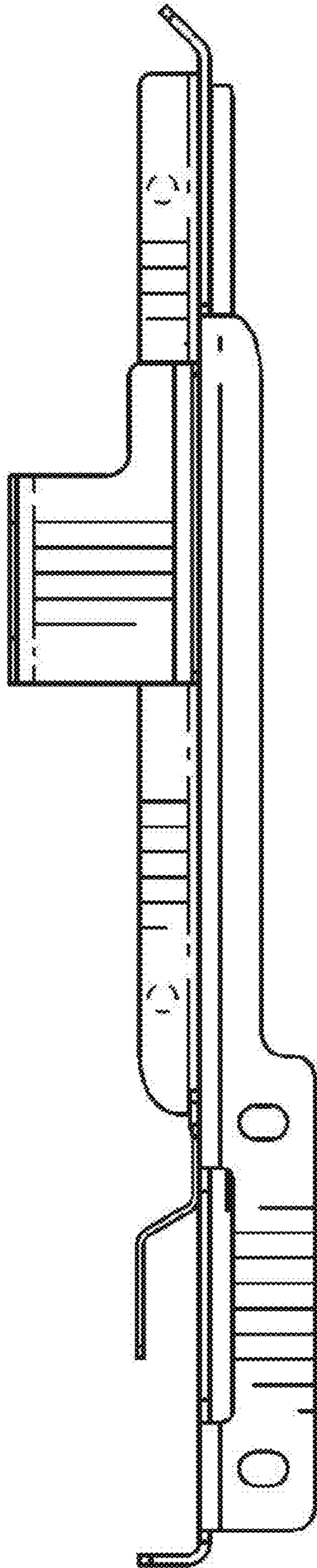


Figure 30

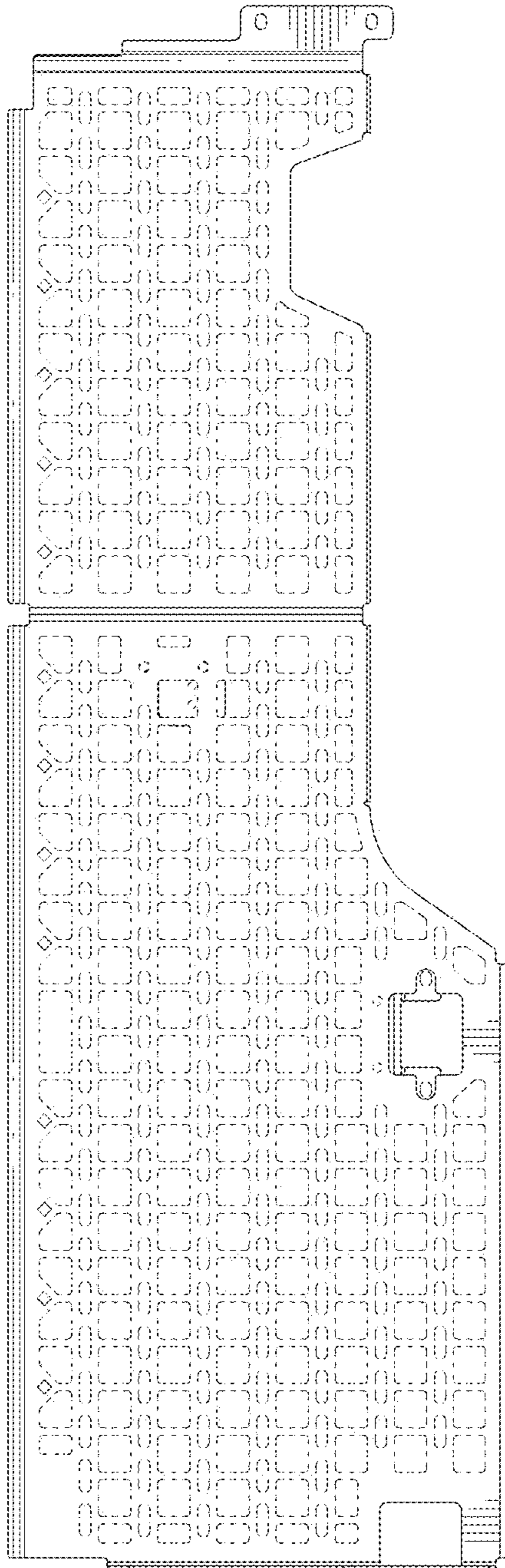


Figure 31

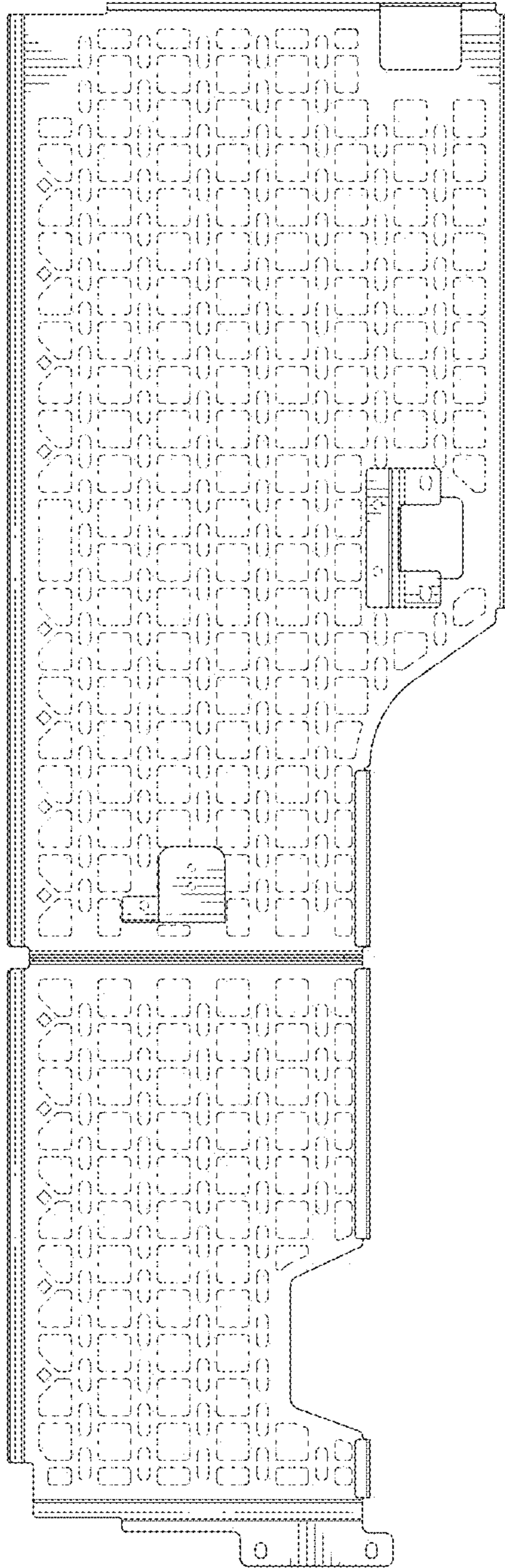


Figure 32