



US00D950471S

(12) **United States Design Patent**
Michaud-Thibault et al.

(10) **Patent No.:** **US D950,471 S**
(45) **Date of Patent:** **** May 3, 2022**

(54) **VEHICLE GUTTER ACCESSORY**
(71) Applicants: **Alexandre Michaud-Thibault**, Granby (CA); **Pierre Chagnon**, Granby (CA)
(72) Inventors: **Alexandre Michaud-Thibault**, Granby (CA); **Pierre Chagnon**, Granby (CA)
(73) Assignee: **9372-9895 QUEBEC INC.**, Pierreville (CA)
(**) Term: **15 Years**

D242,035 S * 10/1976 Drawsky D25/119
D242,036 S * 10/1976 Drawsky D25/119
D272,472 S * 1/1984 Flowers D25/119
D330,772 S * 11/1992 Nelson D25/119
D331,631 S * 12/1992 Leith D25/119
D363,697 S * 10/1995 Shibao D12/400
D372,453 S * 8/1996 Gold D12/400
D387,726 S * 12/1997 Maruoka D12/400
D418,233 S * 12/1999 Prassas D25/164
6,000,883 A * 12/1999 Irvine E02D 5/02
405/274
D422,260 S * 4/2000 Meizlish D12/400
D446,871 S * 8/2001 Thomas D25/144
D459,401 S * 6/2002 Lowndes D20/43

(Continued)

(21) Appl. No.: **29/640,752**
(22) Filed: **Mar. 16, 2018**
(30) **Foreign Application Priority Data**
Sep. 18, 2017 (CA) CA 177149
(51) **LOC (13) Cl.** **12-16**
(52) **U.S. Cl.**
USPC **D12/400**; D12/196; D23/267
(58) **Field of Classification Search**
USPC D12/196, 400; D23/267; D25/119, 120,
D25/127, 131, 133, 134, 135, 164, 48.2;
D8/325
CPC . B60J 1/20; B60J 1/2002; B60J 1/2005; B60J
1/2008
See application file for complete search history.

Primary Examiner — Mojtaba Tehrani
(74) *Attorney, Agent, or Firm* — Norton Rose Fulbright
Canada LLP

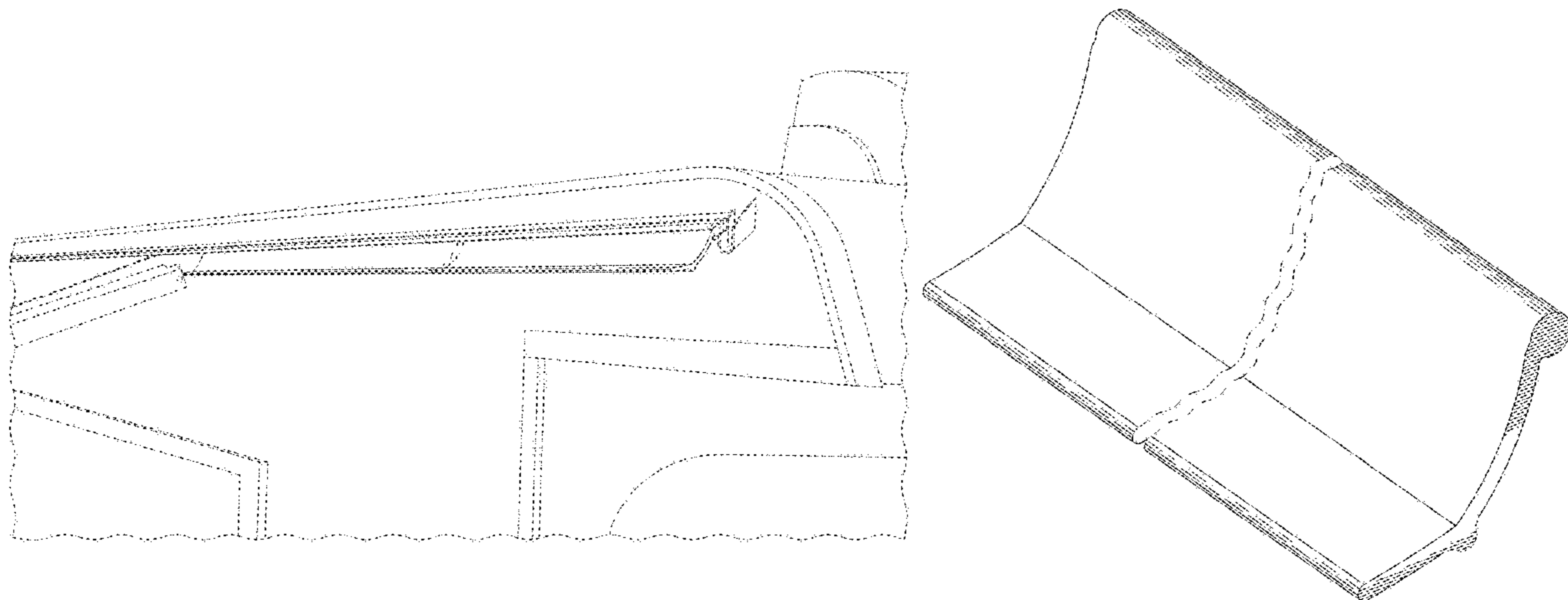
(57) **CLAIM**
We claim the design for a vehicle gutter accessory, as shown
and described.

(56) **References Cited**
U.S. PATENT DOCUMENTS
D168,258 S * 11/1952 Friedman D6/580
D174,131 S * 3/1955 Mortrude D25/119
D209,071 S * 10/1967 Koch D34/29
D223,708 S * 5/1972 Edwards D12/401
3,785,699 A * 1/1974 Molaskey B60J 1/2002
296/152
D231,217 S * 4/1974 Rohrer D12/196
D237,103 S * 10/1975 Fisher D25/119

DESCRIPTION

FIG. 1 is a perspective view of a vehicle gutter accessory, shown in an environment of use, according to our new design;
FIG. 2 is a tridimensional view thereof;
FIG. 3 is a front elevation view thereof;
FIG. 4 is an end view thereof, the other end view being similar thereto;
FIG. 5 is a rear elevation view thereof;
FIG. 6 is a top plan view thereof; and,
FIG. 7 is a bottom plan view thereof.
The evenly broken line in FIG. 1 discloses unclaimed environmental subject matter only, while in FIGS. 2, 4, 5, and 7 discloses unclaimed portions of the vehicle gutter accessory; the dash-dot type broken line depicts unclaimed bounds of the claim. The broken lines form no part of the claimed design.

1 Claim, 7 Drawing Sheets



(56)

References Cited

U.S. PATENT DOCUMENTS

6,547,305	B1 *	4/2003	Ellis	B60J 1/2005 296/91
D479,751	S *	9/2003	Schofield	D23/267
D529,631	S *	10/2006	Folliard	D25/119
D529,632	S *	10/2006	Folliard	D25/119
D564,858	S *	3/2008	Radulescu	D8/325
D573,266	S *	7/2008	Chefren	D25/119
D579,123	S *	10/2008	Johnston	D25/119
D579,124	S *	10/2008	Sauter	D25/119
D591,843	S *	5/2009	Van Becelaere	D23/386
D641,299	S *	7/2011	Downes	D12/185
D681,428	S *	5/2013	Heindl	D8/382
D689,425	S *	9/2013	Olson	B60R 13/06 D12/400
D758,282	S *	6/2016	Miller	D12/400
D789,499	S *	6/2017	Slorach	D23/267
D807,531	S *	1/2018	Manning	F16J 15/061 D25/119
D809,674	S *	2/2018	Singh	D25/119
D823,099	S *	7/2018	Wuensch	D8/382
D823,483	S *	7/2018	Wuensch	D25/119
10,328,858	B1 *	6/2019	Beckward	B60R 1/06
D861,469	S *	10/2019	Heindl	D8/382
D870,018	S *	12/2019	Olson	D12/400
D872,311	S *	1/2020	Sudano	D25/119
D911,063	S *	2/2021	Nguyen	D6/580
D932,406	S *	10/2021	Michaud-Thibault	D12/196
2012/0269583	A1 *	10/2012	Heindl	E02D 5/08 405/251

* cited by examiner

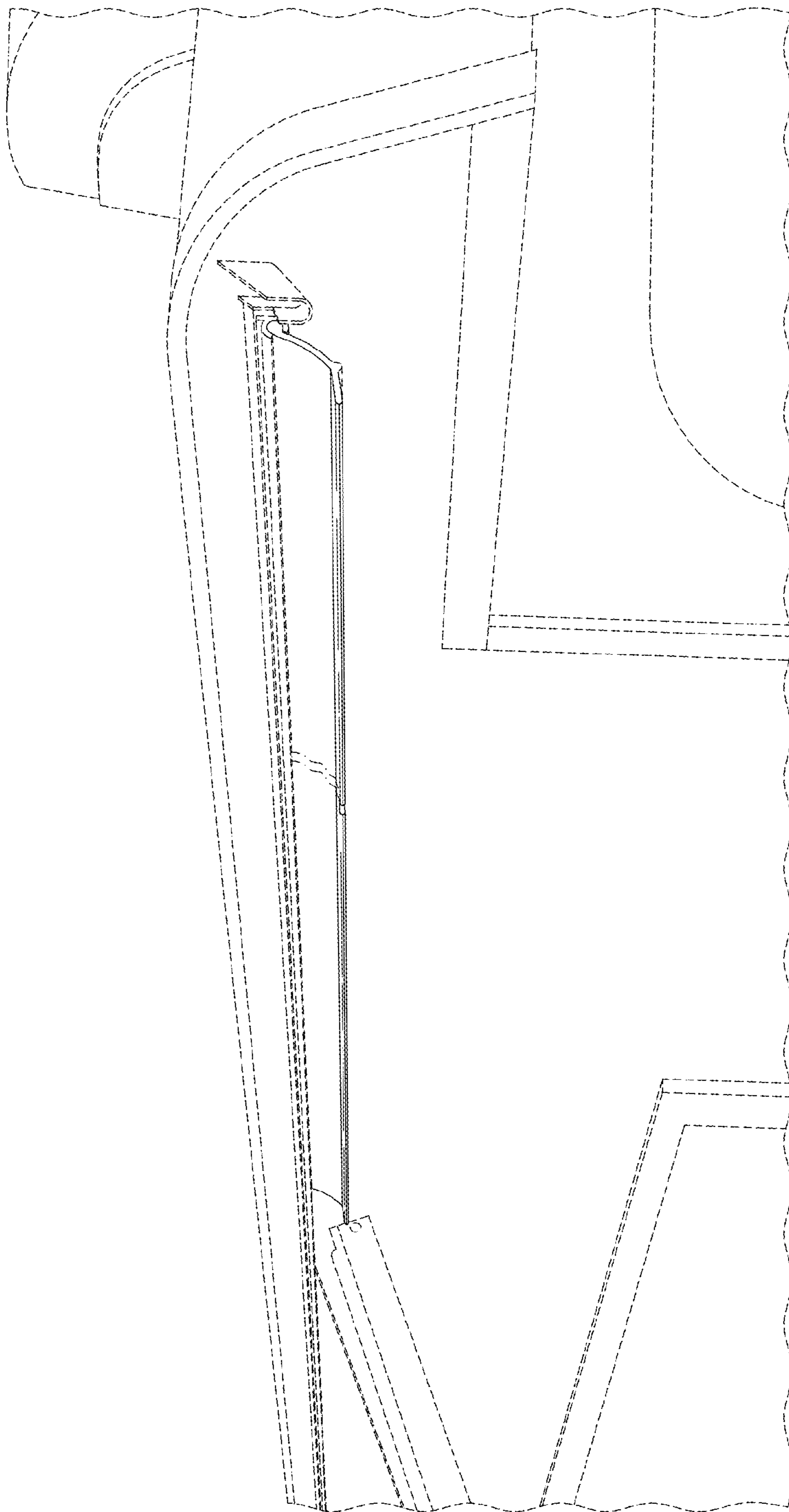
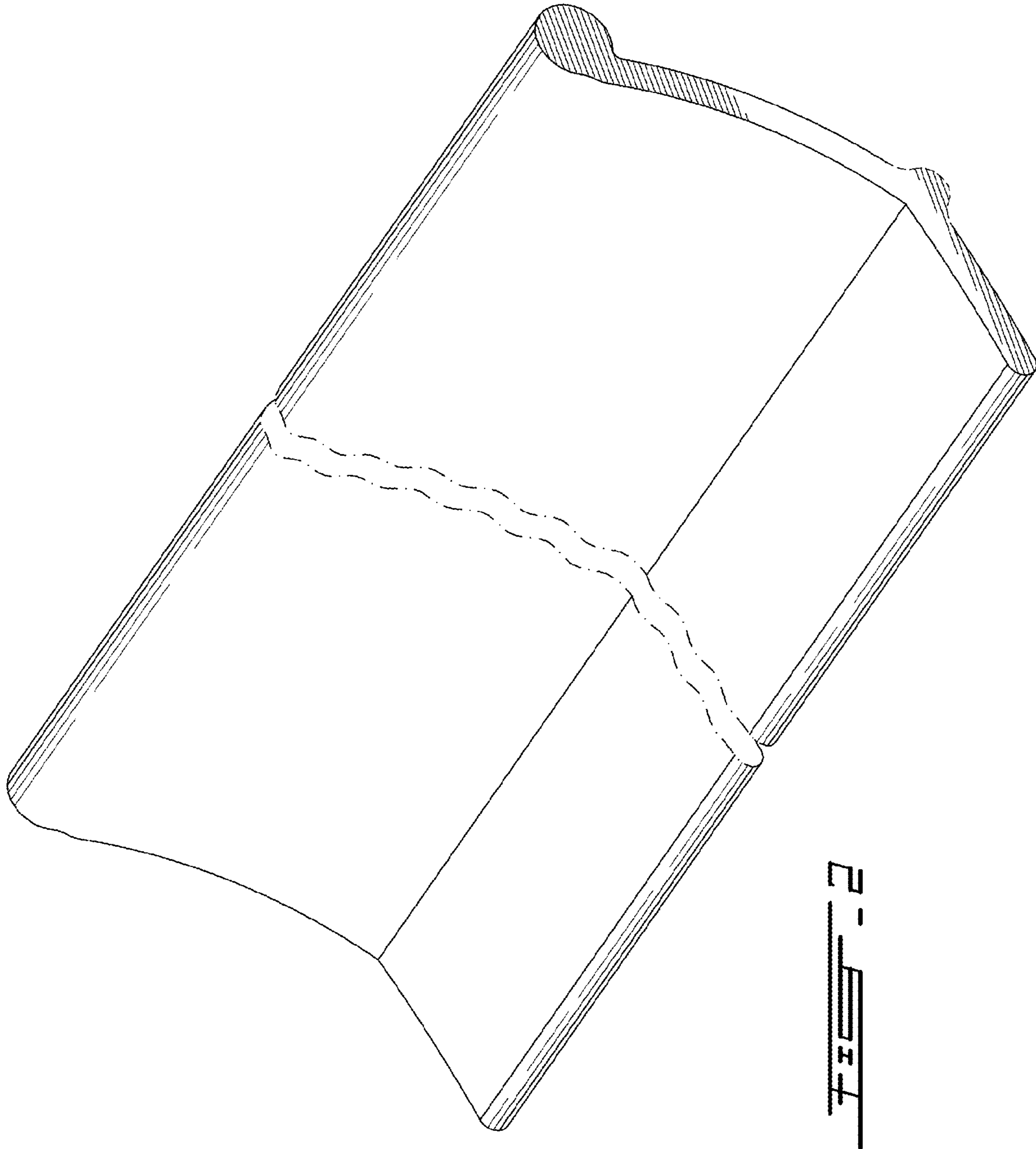


FIG. 1



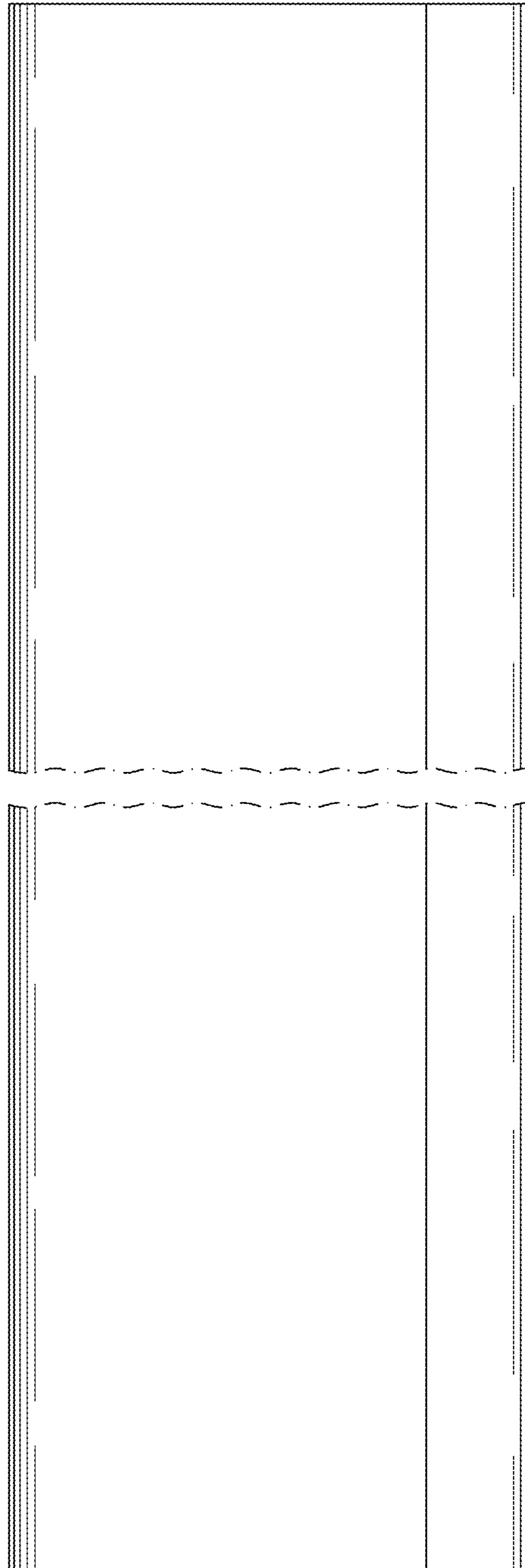


FIG. 3

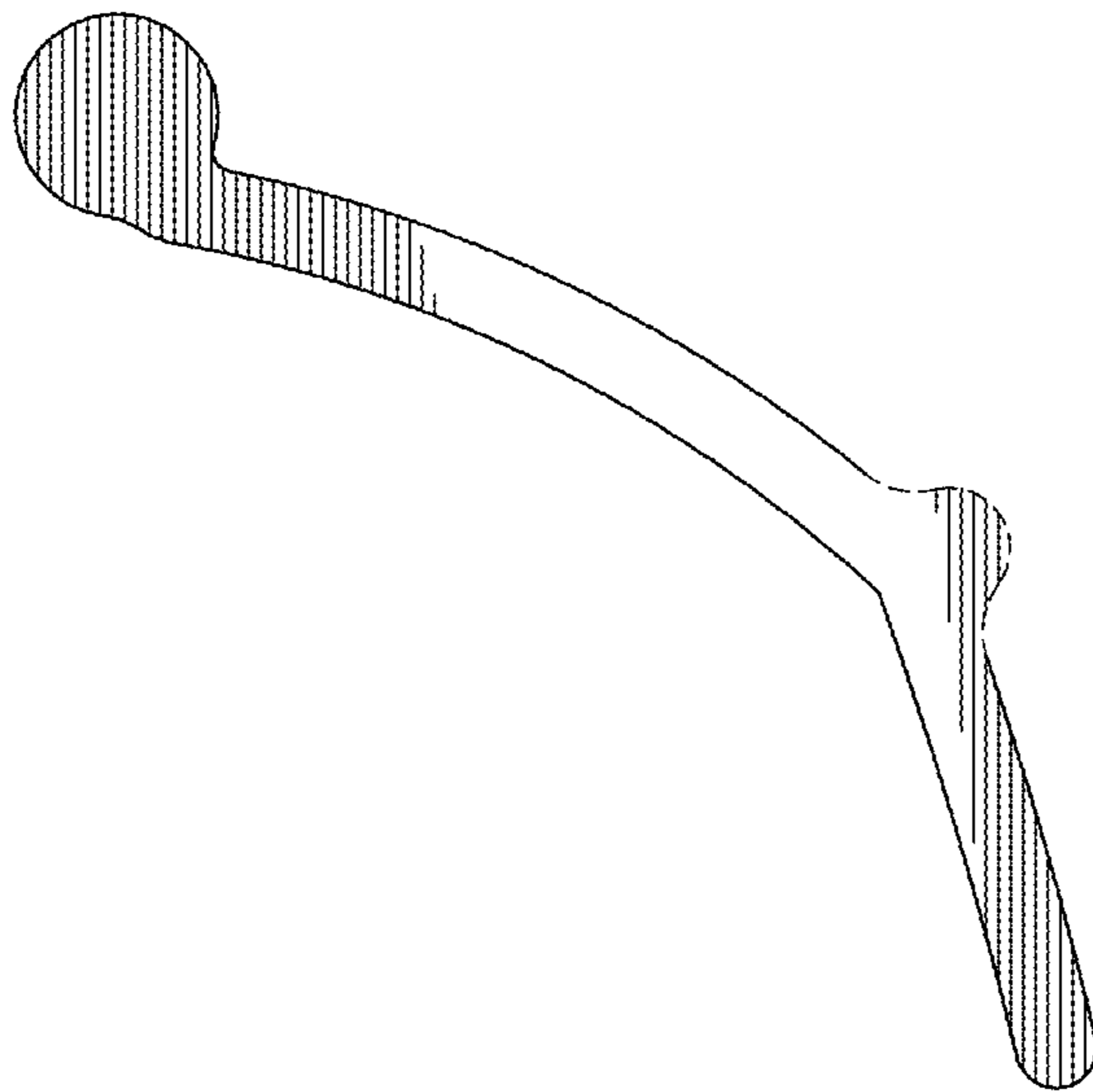


FIG. 4

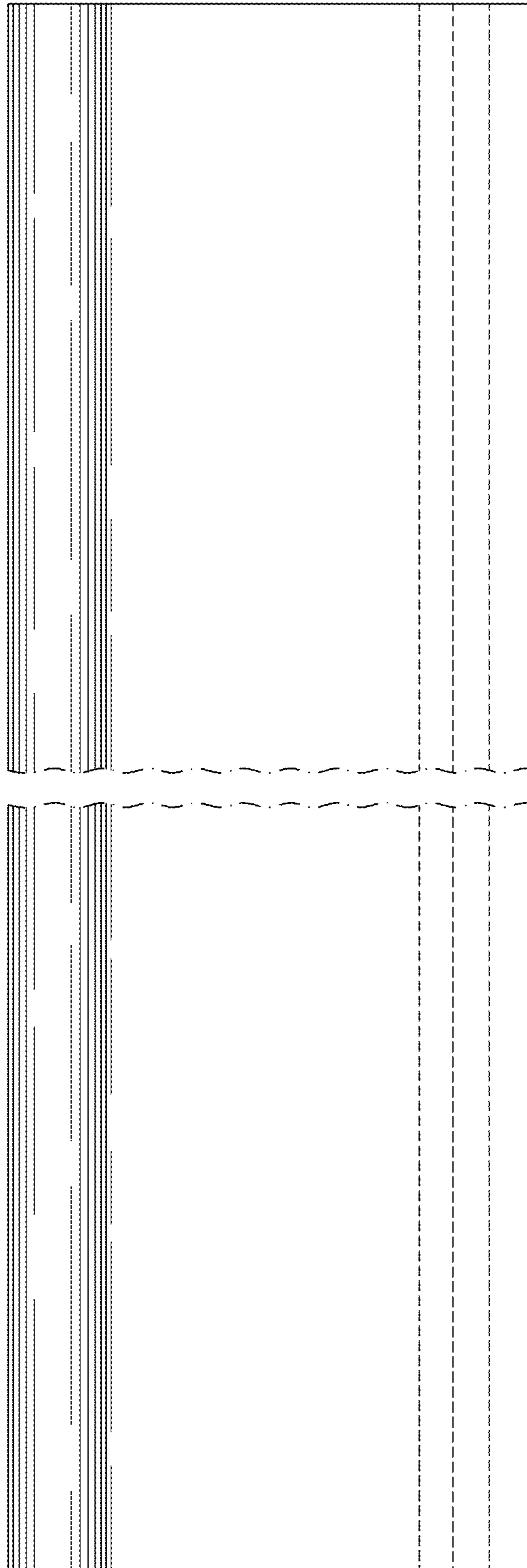


FIG. 5

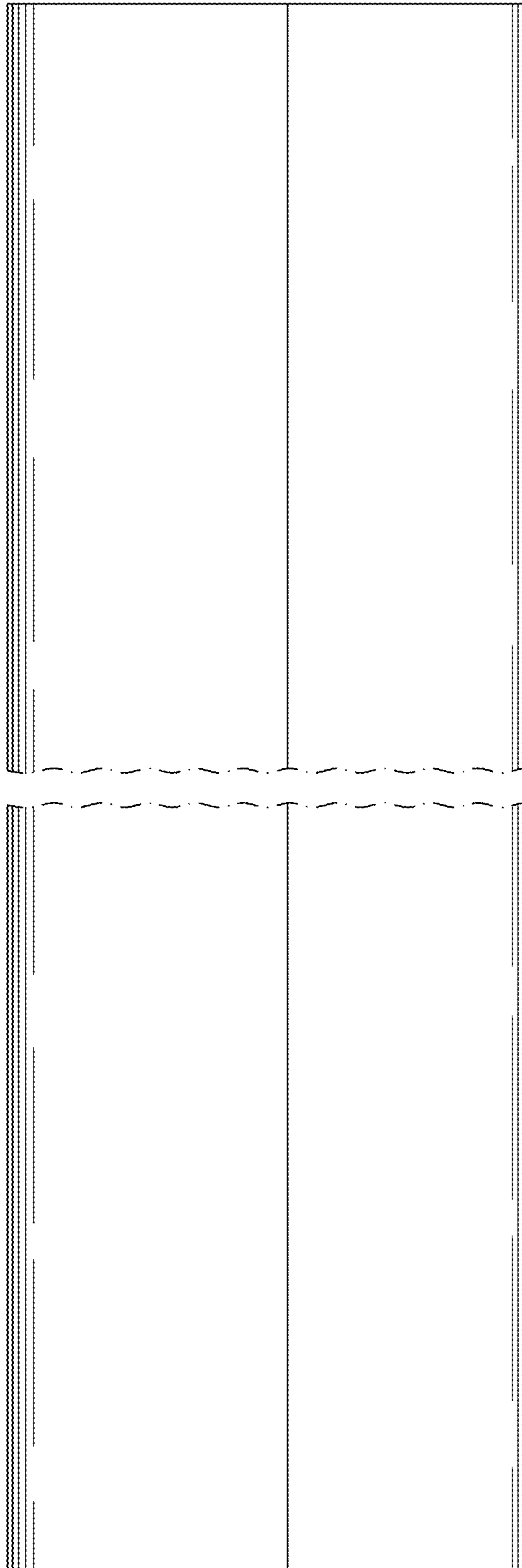


FIG. 6

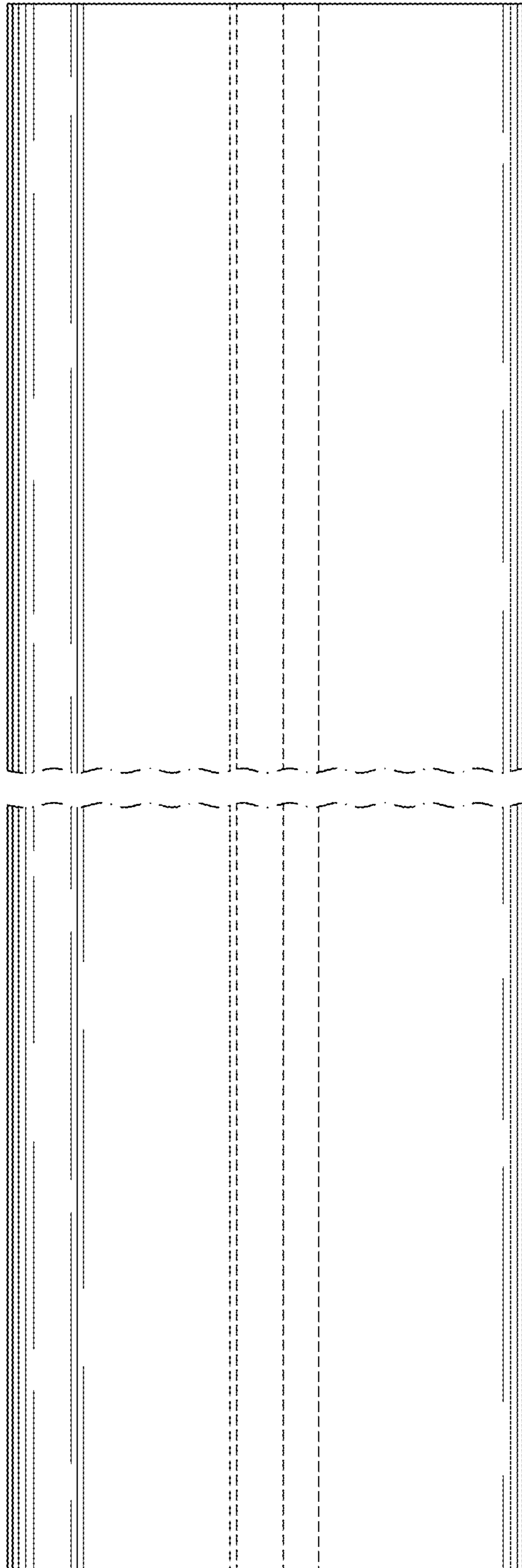


FIG. 7