



US00D950463S

(12) **United States Design Patent**  
**Mazzarelli**

(10) **Patent No.:** **US D950,463 S**  
(45) **Date of Patent:** **\*\* May 3, 2022**

- (54) **COVER FOR PONTOON BOAT**
- (71) Applicant: **Commercial Sewing, Inc.**, Torrington, CT (US)
- (72) Inventor: **David Mazzarelli**, Torrington, CT (US)
- (73) Assignee: **COMMERCIAL SEWING, INC.**, Torrington, CT (US)

7,555,994 B1 7/2009 Arnall  
 8,066,318 B2 11/2011 Mazzarelli et al.  
 8,875,646 B2 11/2014 Zirkelbach et al.  
 9,120,539 B1 \* 9/2015 Binder ..... B63B 17/02  
 9,708,034 B2 \* 7/2017 Stier ..... B63B 17/02  
 9,718,517 B2 8/2017 Zirkelbach et al.  
 D798,793 S \* 10/2017 HooverFenton ..... D12/317  
 D868,666 S \* 12/2019 Zolotuhin ..... D12/300

(Continued)

(\*\*) Term: **15 Years**

(21) Appl. No.: **29/731,044**

(22) Filed: **Apr. 10, 2020**

(51) **LOC (13) Cl.** ..... **12-06**

(52) **U.S. Cl.**  
USPC ..... **D12/317**

(58) **Field of Classification Search**  
USPC ..... D12/300, 304, 310, 317  
CPC ..... B63B 17/00; B63B 17/02  
See application file for complete search history.

(56) **References Cited**

**U.S. PATENT DOCUMENTS**

2,536,152	A	1/1951	Bass	
2,732,877	A	1/1956	Taylor	
D226,684	S *	4/1973	Beyer	D12/310
D315,138	S *	3/1991	Simpkins, Sr.	D12/304
5,228,408	A	7/1993	Jannausch	
5,564,358	A	10/1996	Newton	
5,813,360	A	9/1998	Dickey, Jr.	
D416,852	S *	11/1999	Clarke	D12/300
6,129,034	A	10/2000	Santa Cruz et al.	
6,209,477	B1 *	4/2001	Biedenweg	B63B 17/02 114/361
6,260,505	B1 *	7/2001	Polidan	B63B 17/02 114/361
6,978,732	B1 *	12/2005	Jirak	B63B 17/02 114/361
D516,495	S *	3/2006	Menne	D12/300
7,484,472	B1 *	2/2009	Highfield	B63B 17/02 114/361

**OTHER PUBLICATIONS**

Final Office Action; U.S. Appl. No. 16/845,898, filed Apr. 10, 2020; dated Aug. 10, 2021; 8 pages.

(Continued)

*Primary Examiner* — Cynthia M. Chin

(74) *Attorney, Agent, or Firm* — Cantor Colburn LLP

(57) **CLAIM**

I claim, the ornamental design for a cover for pontoon boat, as shown and described.

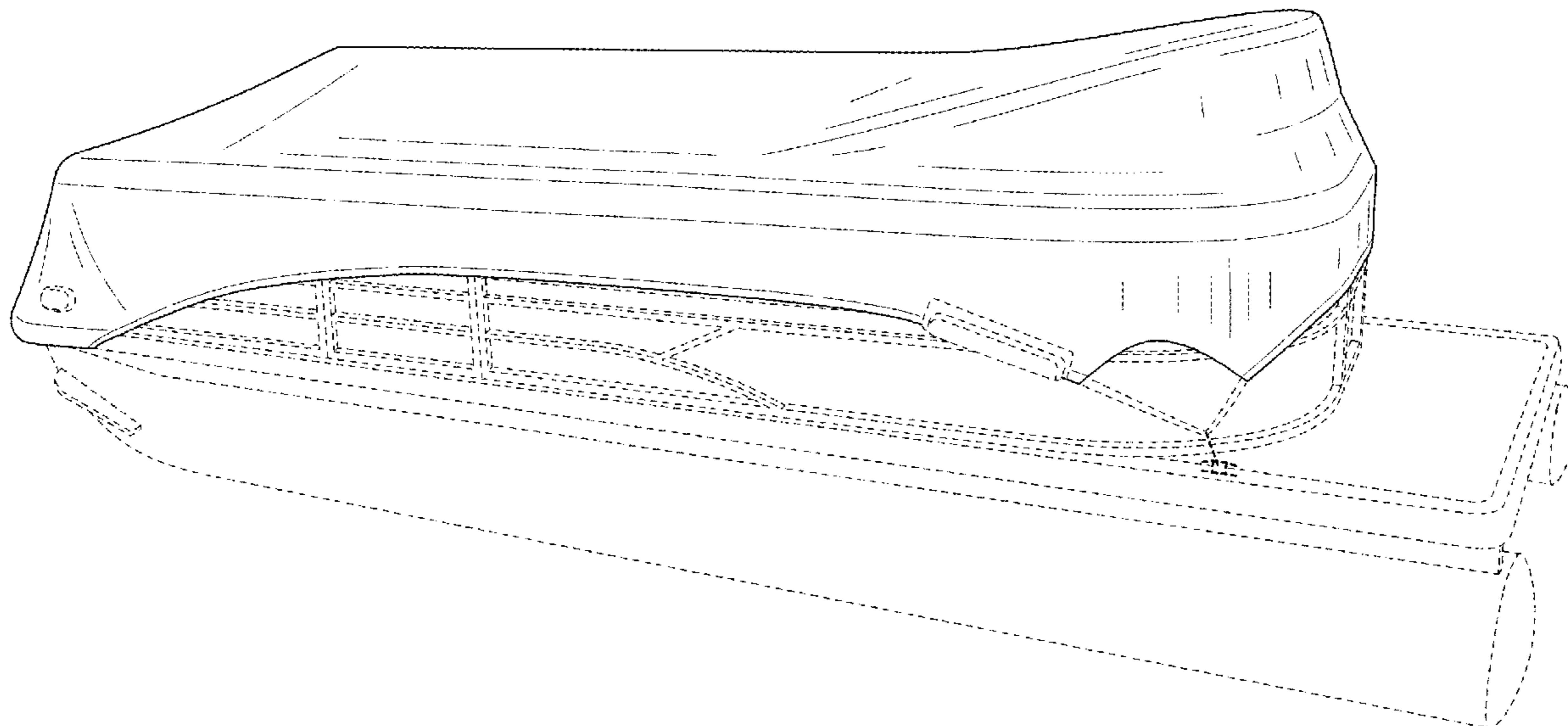
**DESCRIPTION**

FIG. 1 is a perspective view of a cover for a pontoon boat, showing our new design;  
 FIG. 2 is a front view of FIG. 1;  
 FIG. 3 is a back view of FIG. 1;  
 FIG. 4 is a side view of FIG. 1;  
 FIG. 5 is another side view FIG. 1;  
 FIG. 6 is a top plan view of FIG. 1; and,  
 FIG. 7 is a bottom view of FIG. 1.

The broken lines represent portions of the cover and the exemplary environment of a pontoon boat that form no part of the claimed design.

Also, references to “side,” “top,” “bottom,” “front,” and “back” in the Figure Descriptions are not necessarily meant to require any specific orientation of the article as viewed.

**1 Claim, 7 Drawing Sheets**



(56)

**References Cited**

U.S. PATENT DOCUMENTS

2007/0095271 A1 5/2007 Yang  
2015/0166144 A1 1/2015 Langley  
2020/0324861 A1 10/2020 Mazzarelli

OTHER PUBLICATIONS

Non-Final Office Action; U.S. Appl. No. 16/845,898, filed Apr. 10, 2020; dated Apr. 30, 2021; 13 pages.

Mazzarelli et al.; U.S. Appl. No. 15/200,152, filed Jul. 1, 2016; Cover for Cargo in Transit and Device for Securing a Cover to Cargo.

Pontoon and Deck Boat; "Ameritex Introduces Two New Snapless Pontoon Covers"; Dec. 2015; Retrieved from Internet Apr. 9, 2020 <https://www.pdbmagazine.com/2015/12/ameritex-introduces-two-new-snapless>; 9 pages.

\* cited by examiner

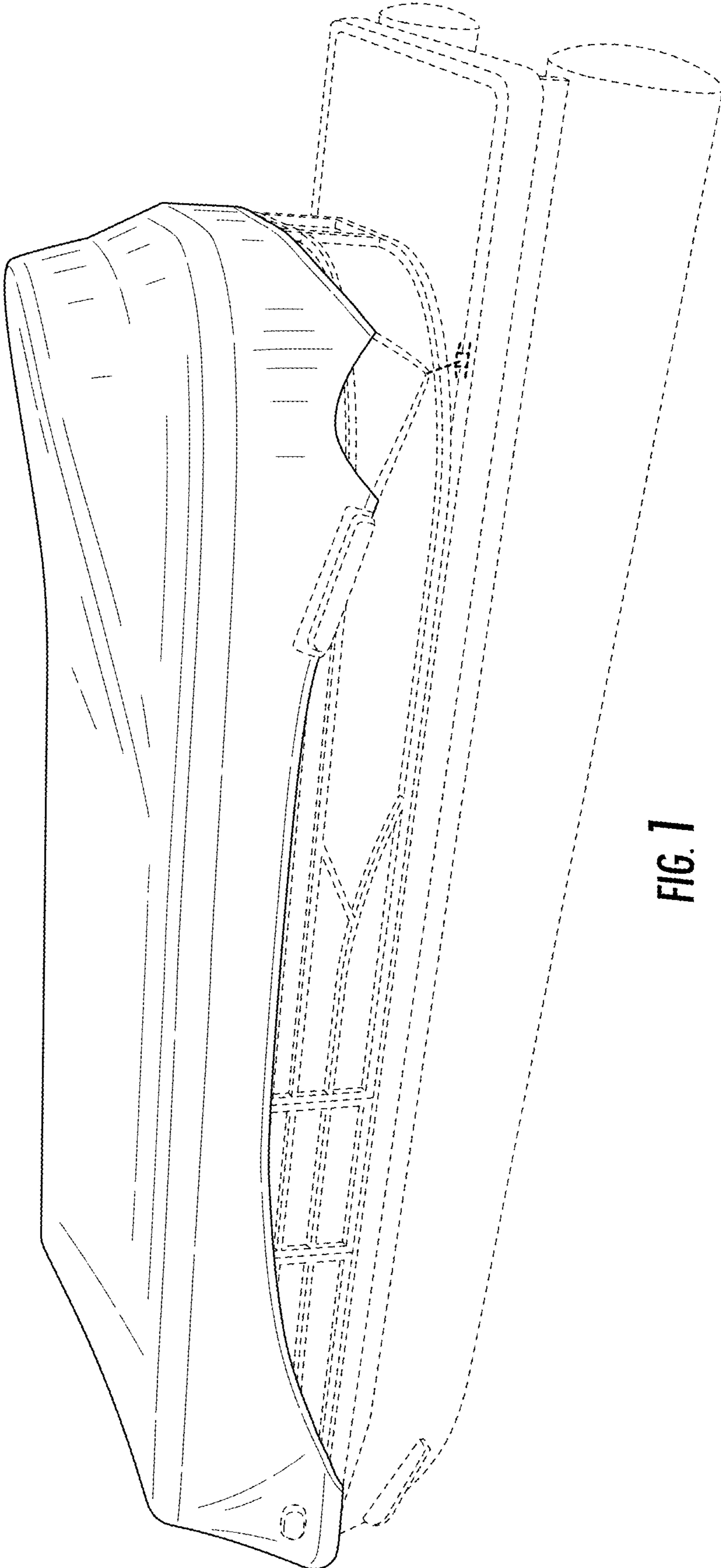
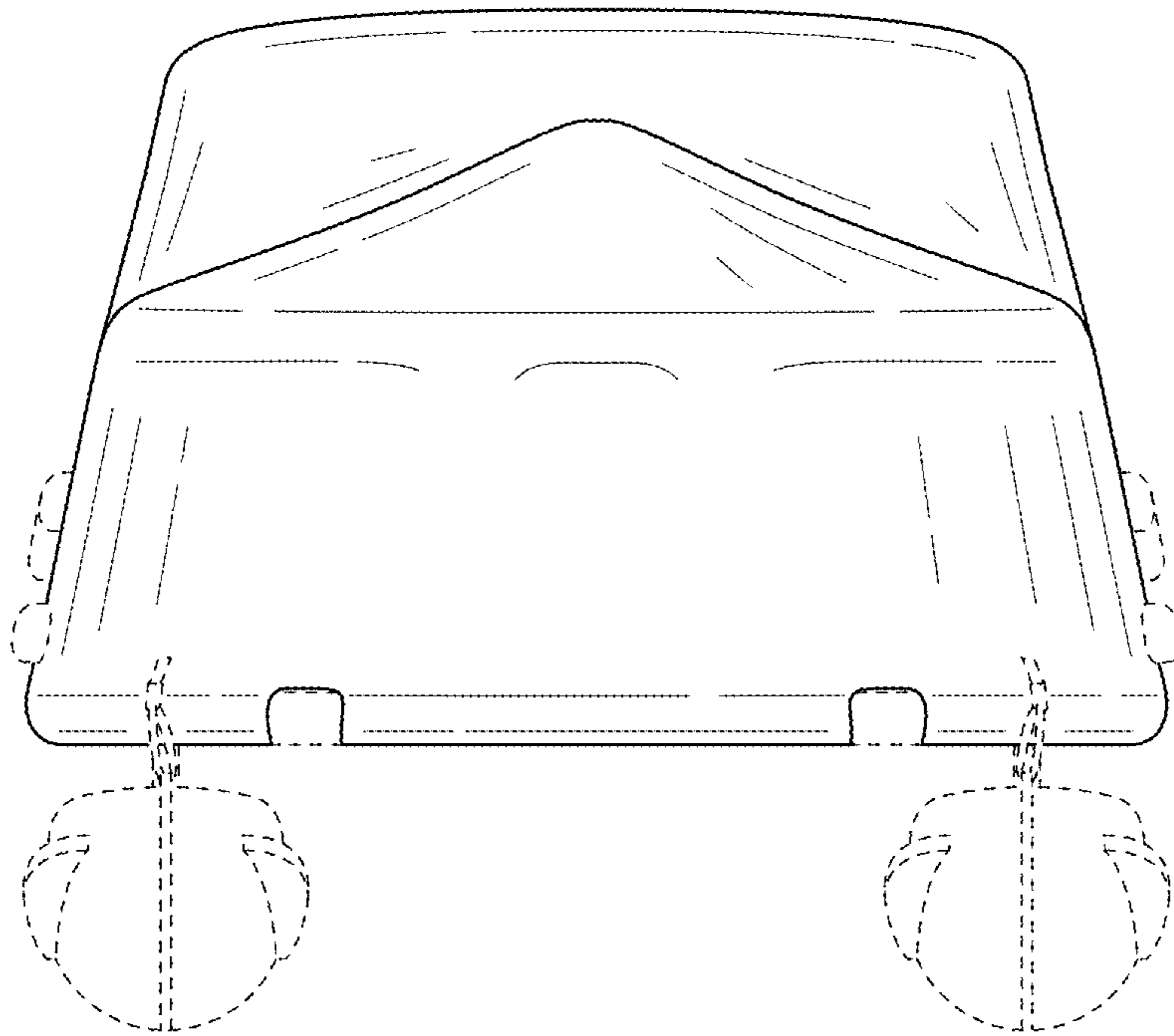
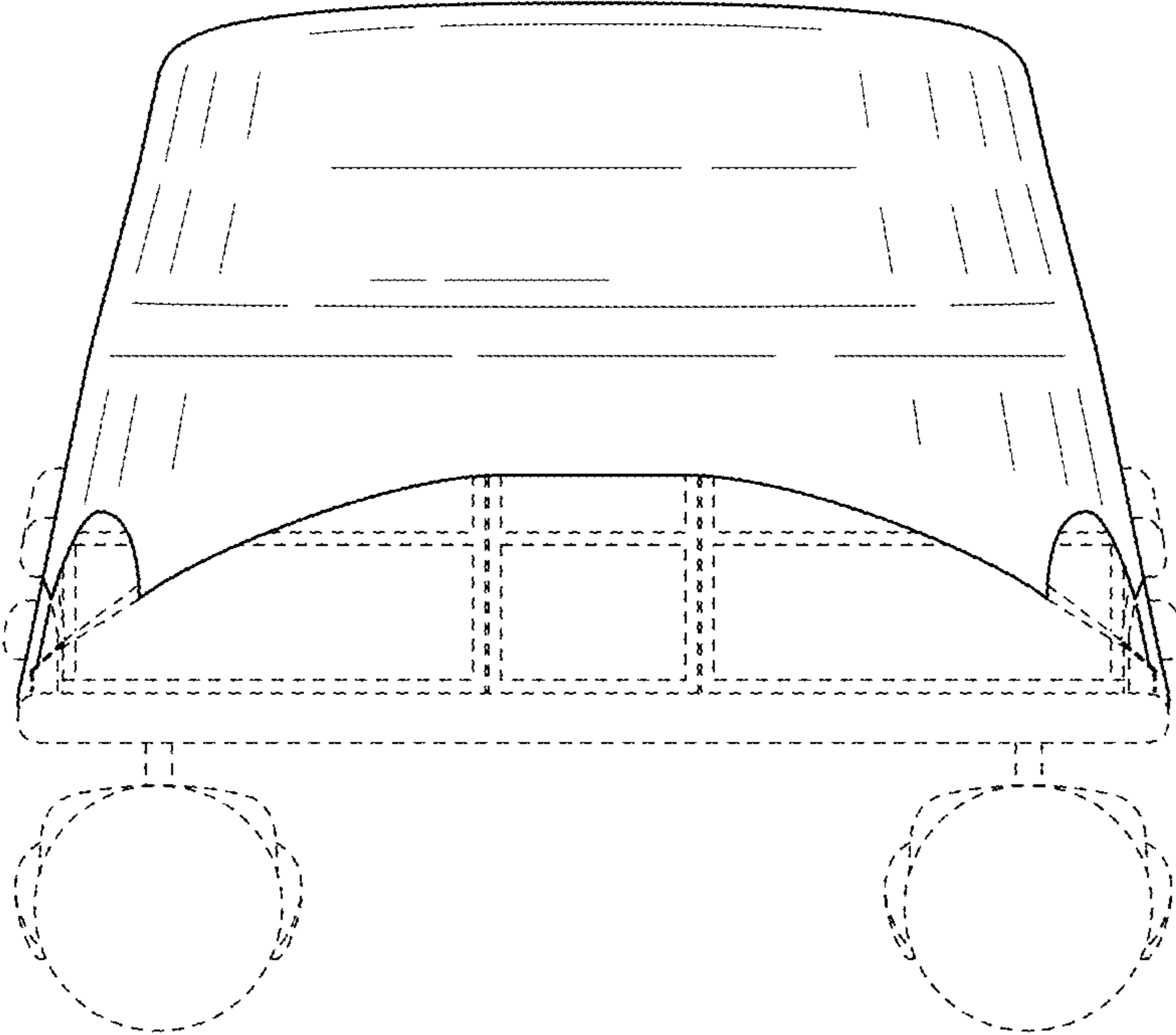


FIG. 1



**FIG. 2**



**FIG. 3**

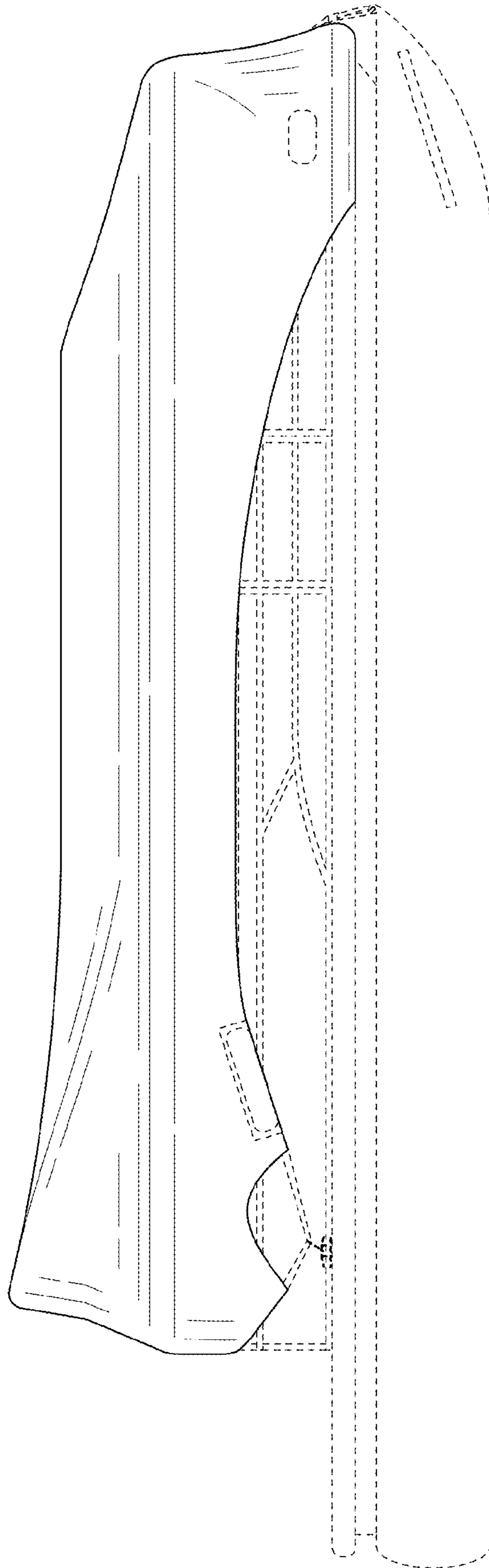


FIG. 4

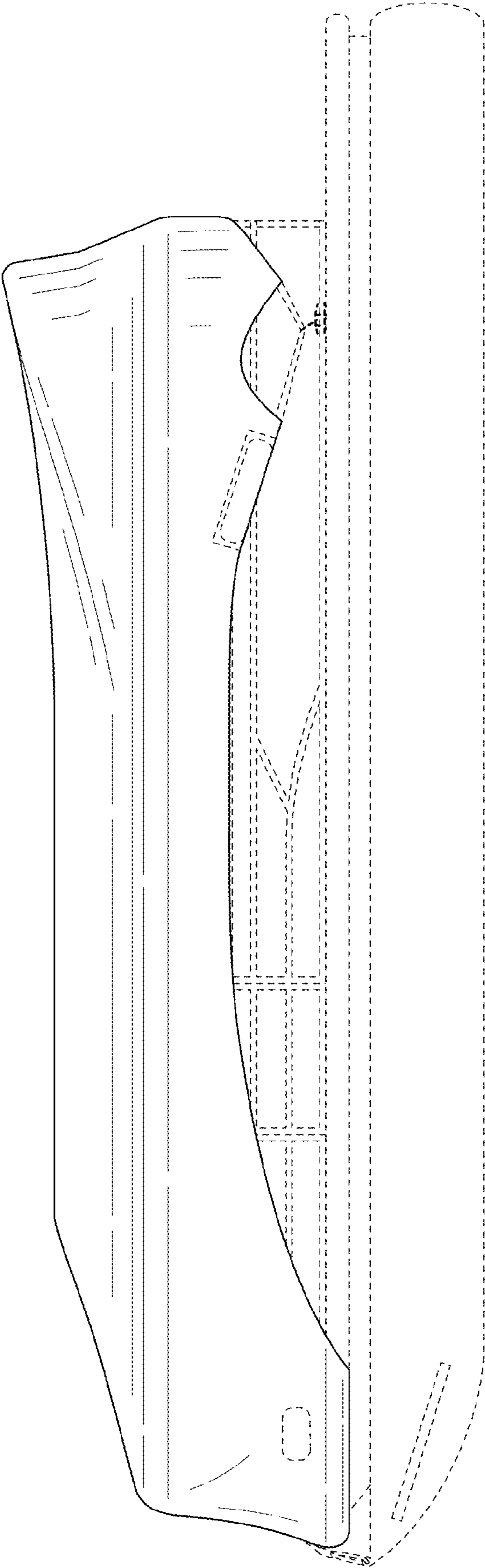


FIG. 5

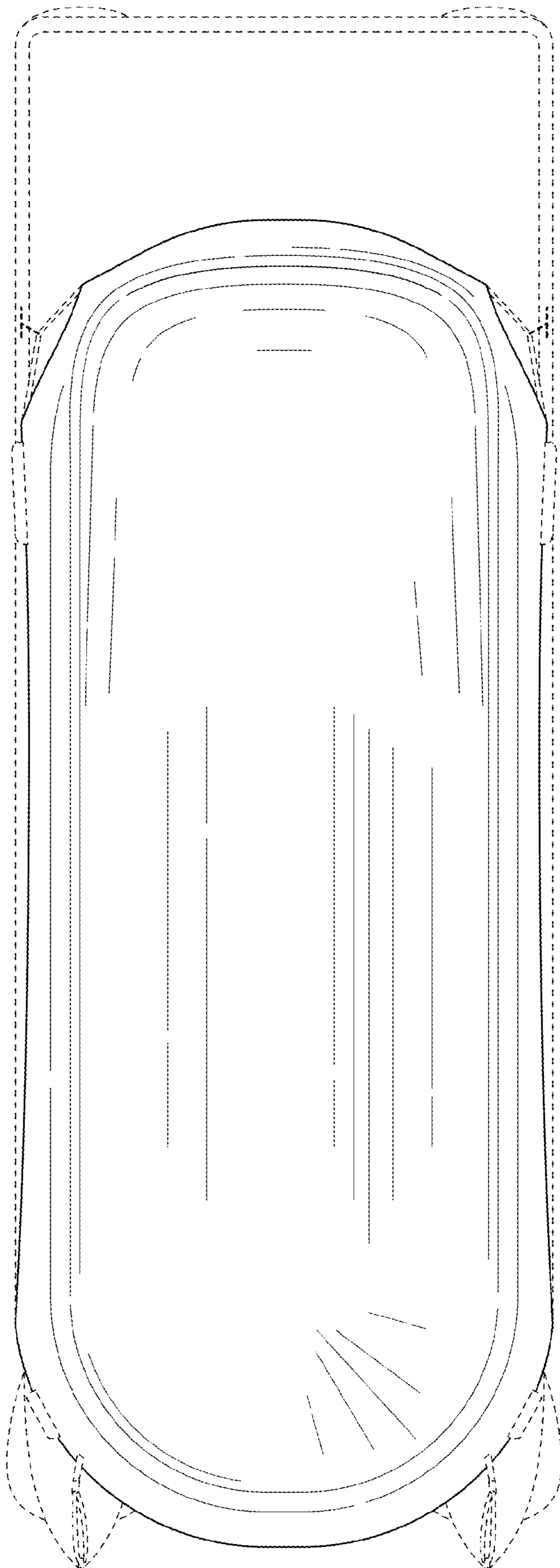
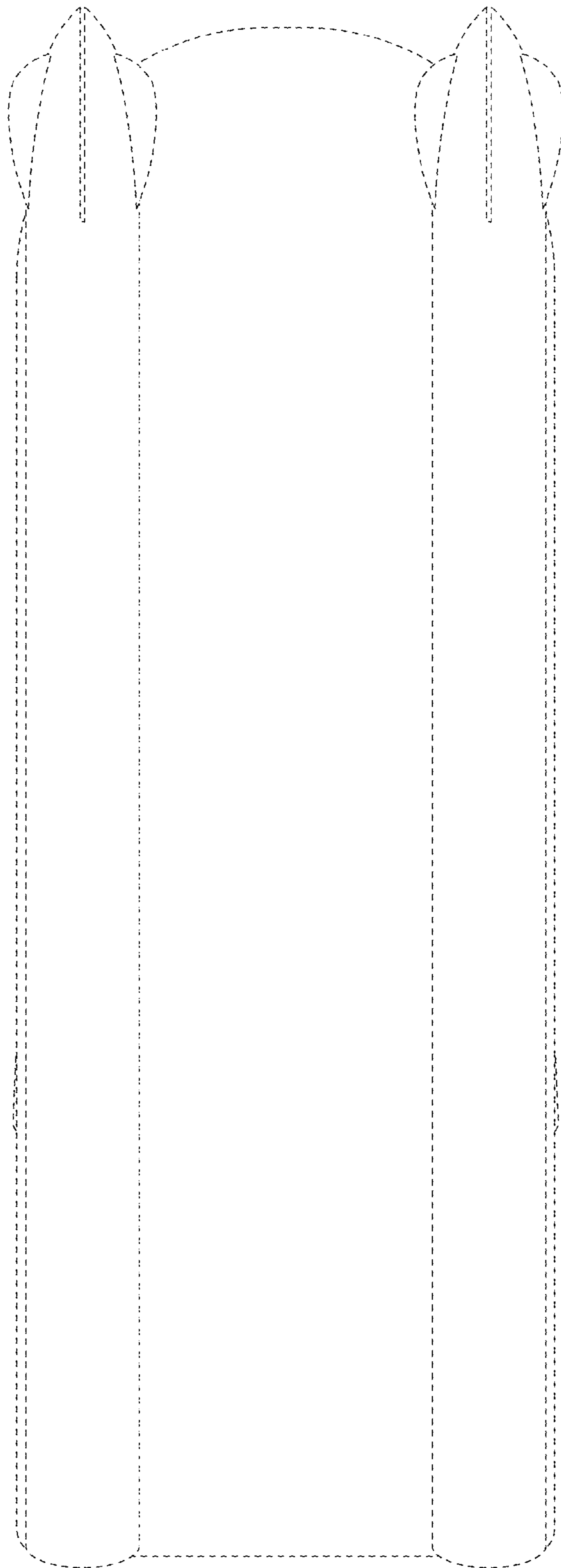


FIG. 6





**FIG. 7**