



US00D950455S

(12) **United States Design Patent**
Jenkins et al.

(10) **Patent No.:** **US D950,455 S**

(45) **Date of Patent:** **** May 3, 2022**

(54) **AUTOMOTIVE VEHICLE WHEEL**

(71) Applicant: **Atieva Inc.**, Uglan House (KY)

(72) Inventors: **Derek N. Jenkins**, Malibu, CA (US);
Alvin Po-Yu Tseng, San Francisco, CA (US)

(73) Assignee: **Atieva, Inc.**, Grand Cayman (KY)

(**) Term: **15 Years**

(21) Appl. No.: **29/740,906**

(22) Filed: **Jul. 8, 2020**

(51) **LOC (13) Cl.** **12-16**

(52) **U.S. Cl.**
USPC **D12/209**

(58) **Field of Classification Search**
USPC D12/204–213; D21/563
CPC B60B 7/00; B60B 7/02; B60B 7/04; B60B 7/01; B60B 7/06; B60B 3/02; B60B 3/04; B60B 3/06; B60B 3/10; B60B 1/00; B60B 1/08; B60B 1/10; B60B 1/12
See application file for complete search history.

(56) **References Cited**

U.S. PATENT DOCUMENTS

D430,844 S *	9/2000	Noriega	D12/211
D437,278 S *	2/2001	Sulahian	D12/211
D461,758 S *	8/2002	Takechi	D12/211
D544,427 S *	6/2007	Pfeiffer	D12/211
D669,834 S *	10/2012	Juergens	D12/211
D681,531 S *	5/2013	Fetherston	D12/209
D697,858 S *	1/2014	Kito	D12/209
D714,204 S *	9/2014	Garbas	D12/209
D716,212 S *	10/2014	Bildhaeuser	D12/209
D744,400 S *	12/2015	Watanuki	D12/209
D755,699 S *	5/2016	Valencia Pollex	D12/211

D782,384 S *	3/2017	Oh	D12/209
D793,941 S *	8/2017	Badstuebner	D12/211
D803,127 S *	11/2017	Weil	D12/204
D823,432 S *	7/2018	Oh	D12/209
D837,124 S *	1/2019	He	D12/209
D877,019 S *	3/2020	Valencia Pollex	D12/209
D877,682 S *	3/2020	Nakajima	D12/211
D899,341 S *	10/2020	Myrberg	D12/211

OTHER PUBLICATIONS

Photos of Lucid Motors AIR™ prototype vehicle exterior, published prior to Jun. 2019.

R. Moore, Lucid Motors Air™ prototype vehicle review article, TopSpeed, published Aug. 25, 2017.

Photo of Audi Q8 2019 20 inch Wheel Rim, offered for sale or publically used in 2019.

* cited by examiner

Primary Examiner — Stacia A Cadmus

(57) **CLAIM**

We claim the ornamental design for an automotive vehicle wheel, as shown and described.

DESCRIPTION

FIG. 1 is a front perspective view of an automotive vehicle wheel, showing our new design;

FIG. 2 is a front view thereof;

FIG. 3 is a top view thereof;

FIG. 4 is a side view thereof;

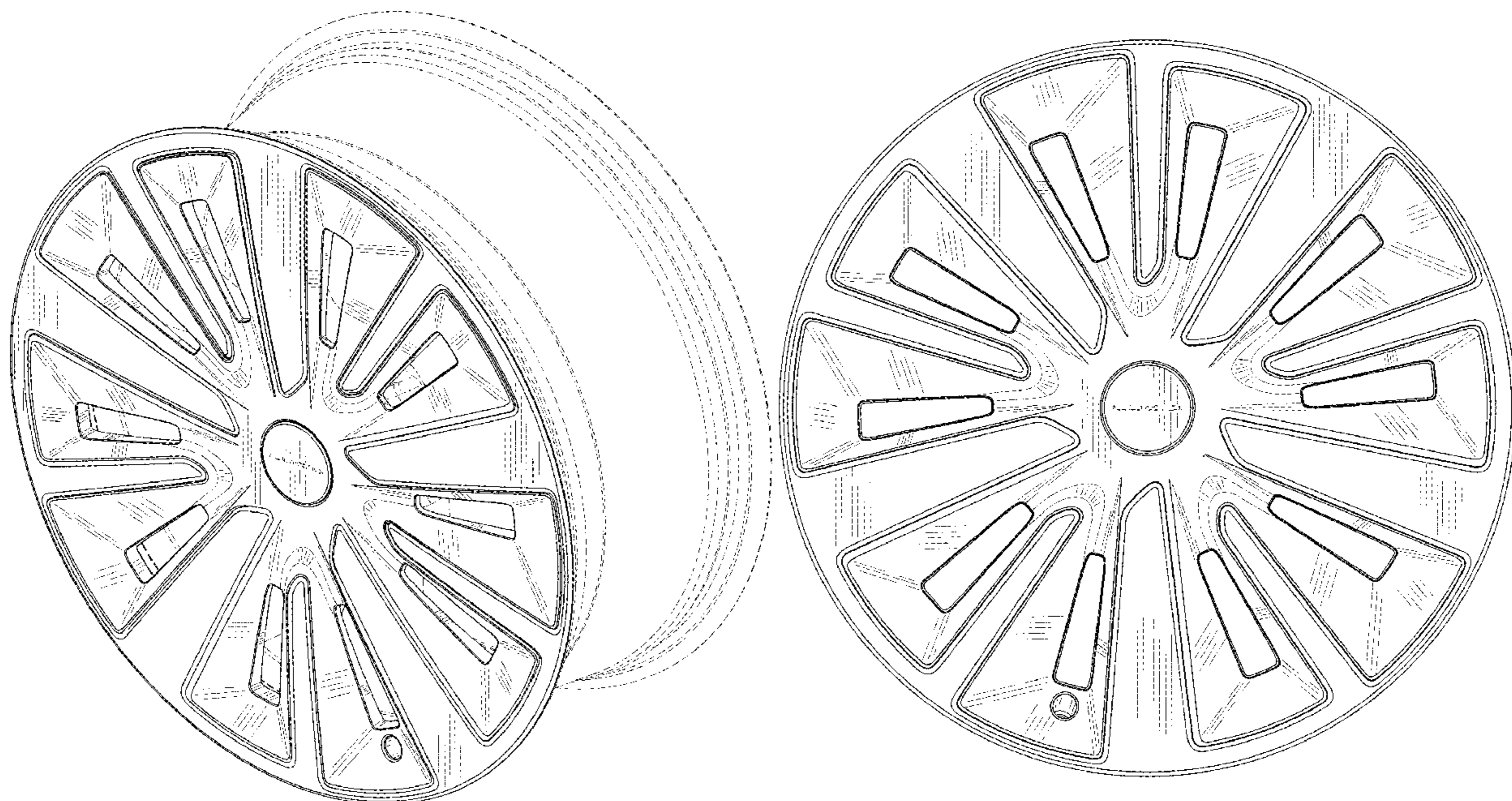
FIG. 5 is a bottom view thereof;

FIG. 6 is another side view thereof; and,

FIG. 7 is a rear view thereof.

In the drawings, the broken lines depict portions of the wheel that form no part of the claimed design.

1 Claim, 5 Drawing Sheets



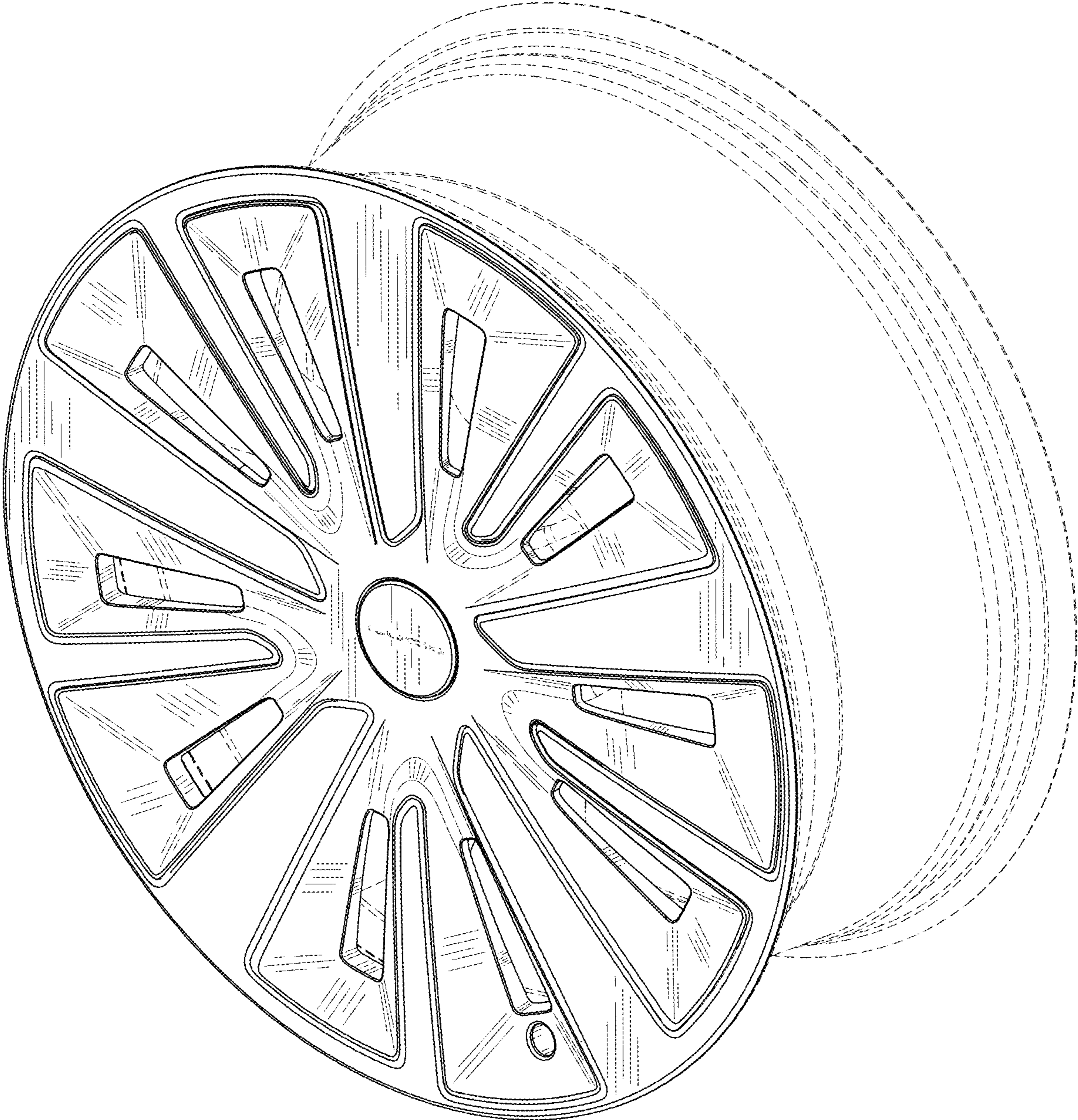


FIG - 1

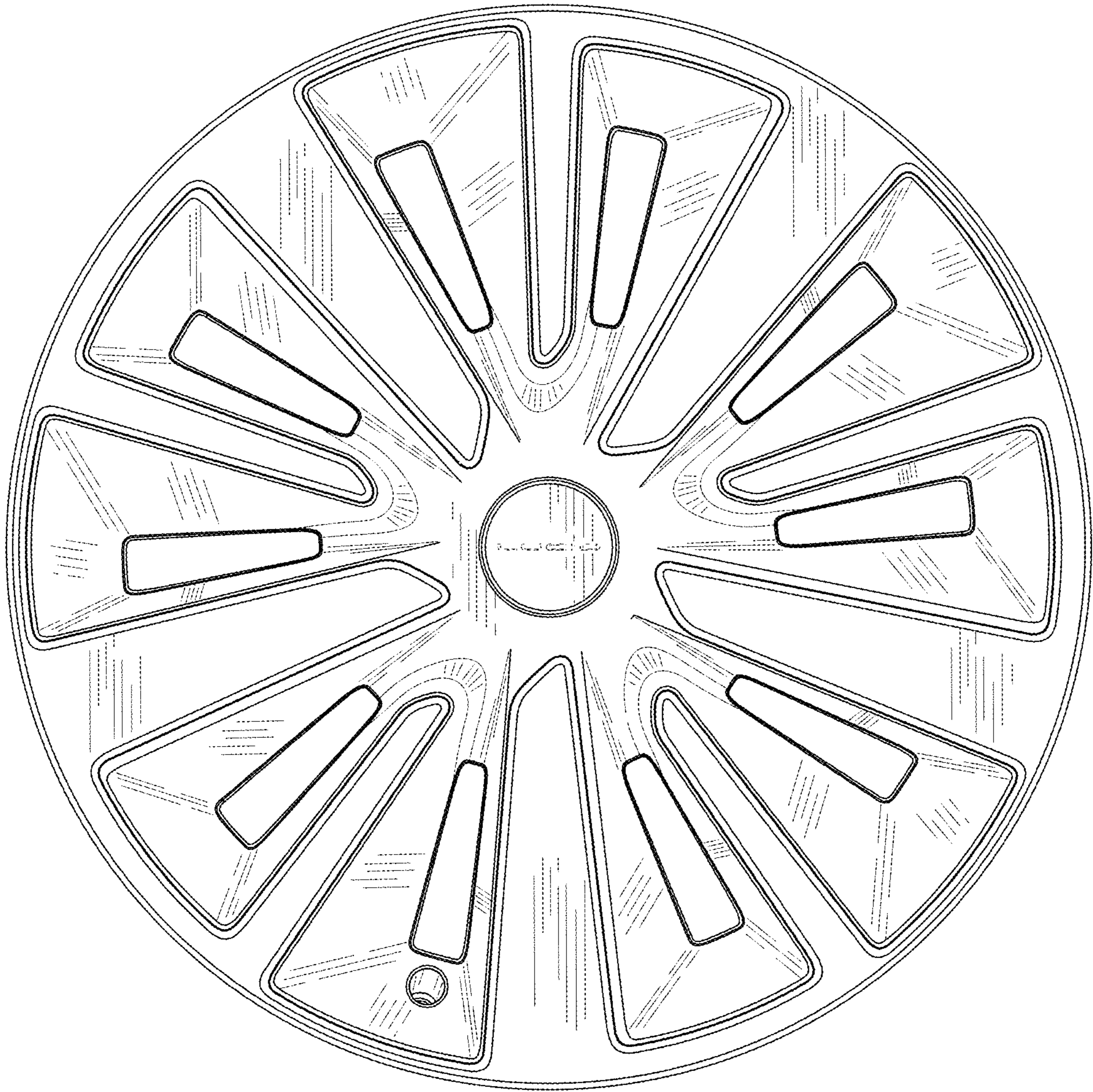


FIG - 2

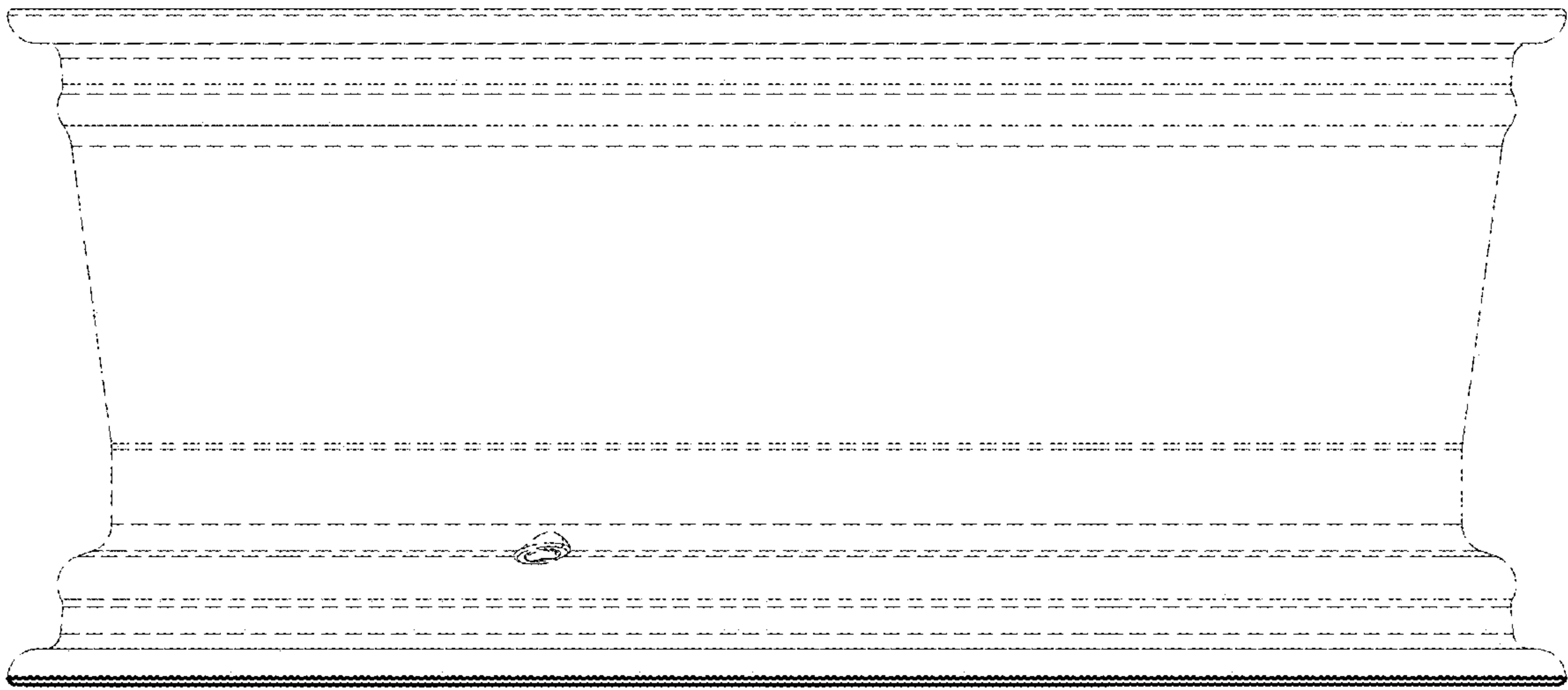


FIG - 3

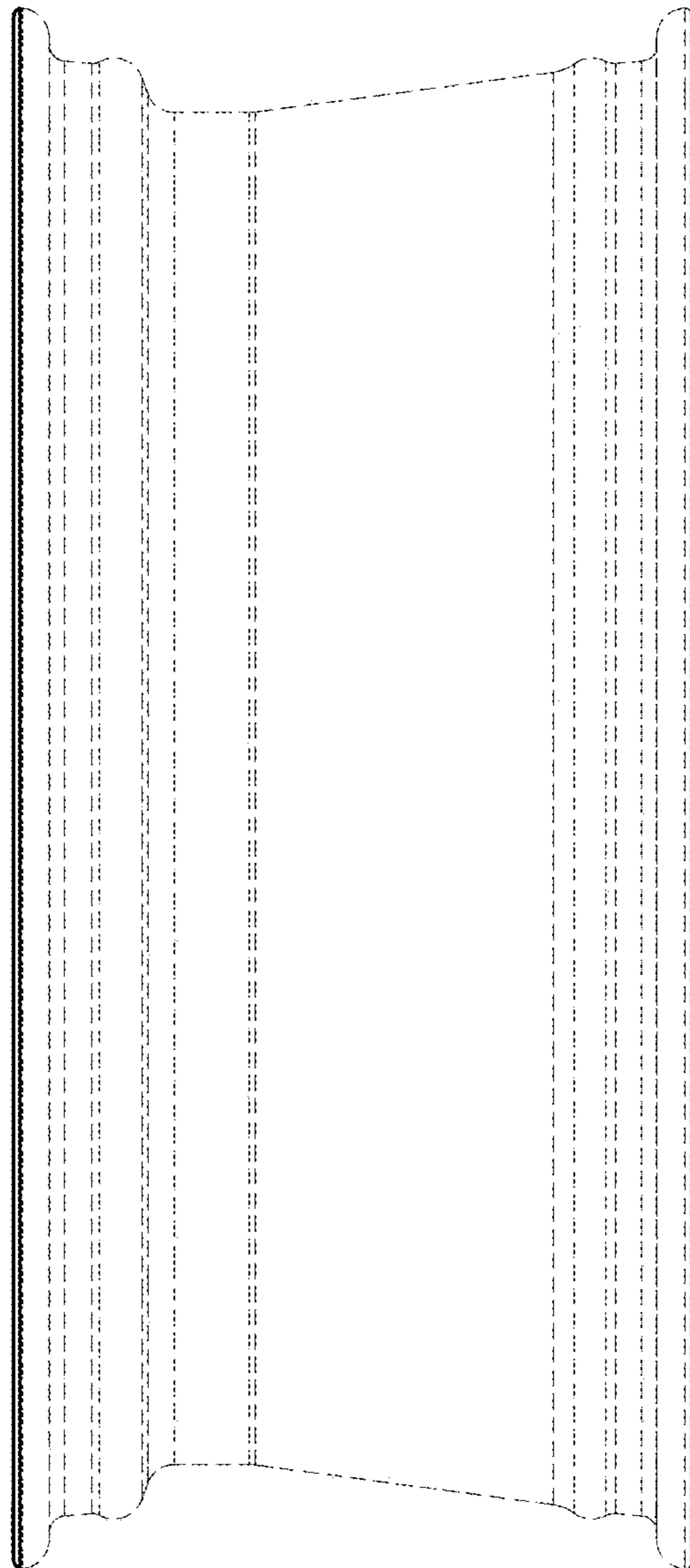


FIG - 4



FIG - 5

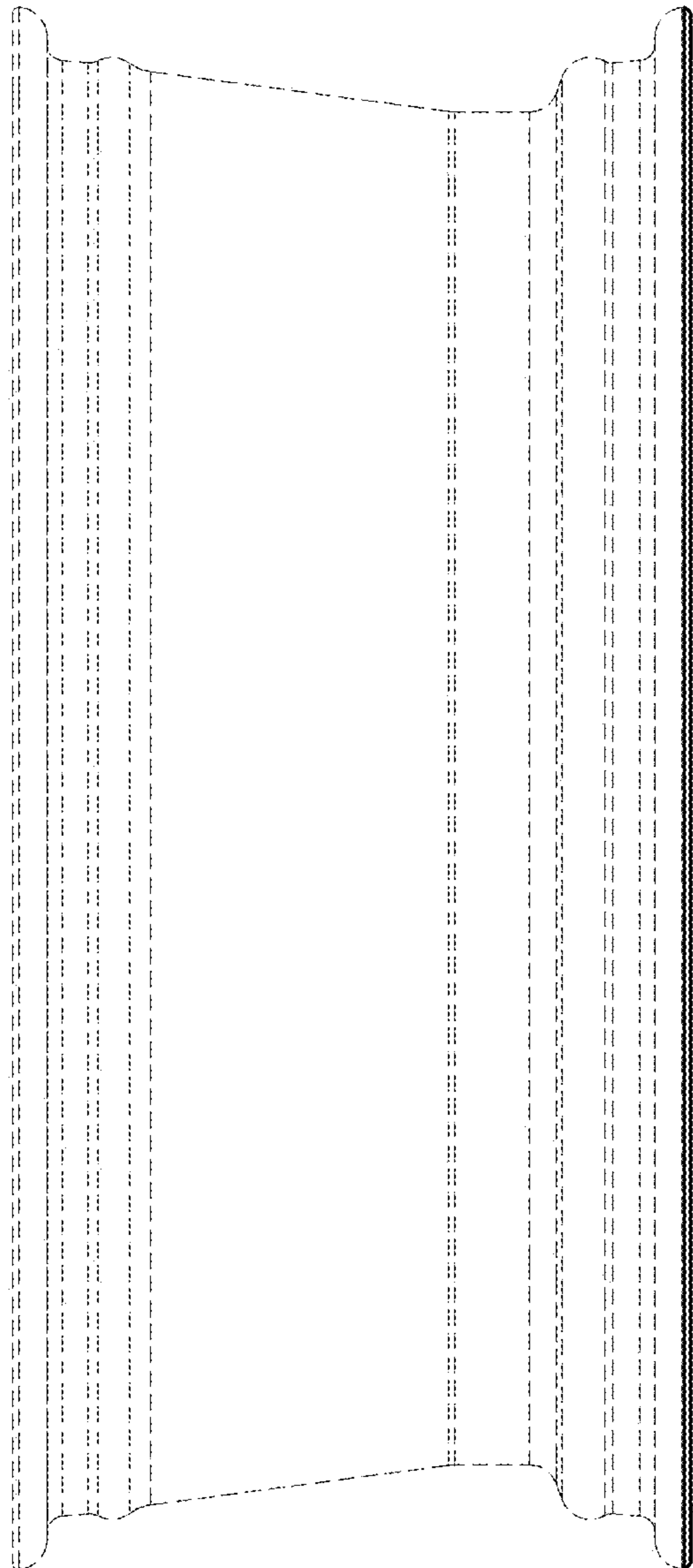


FIG - 6

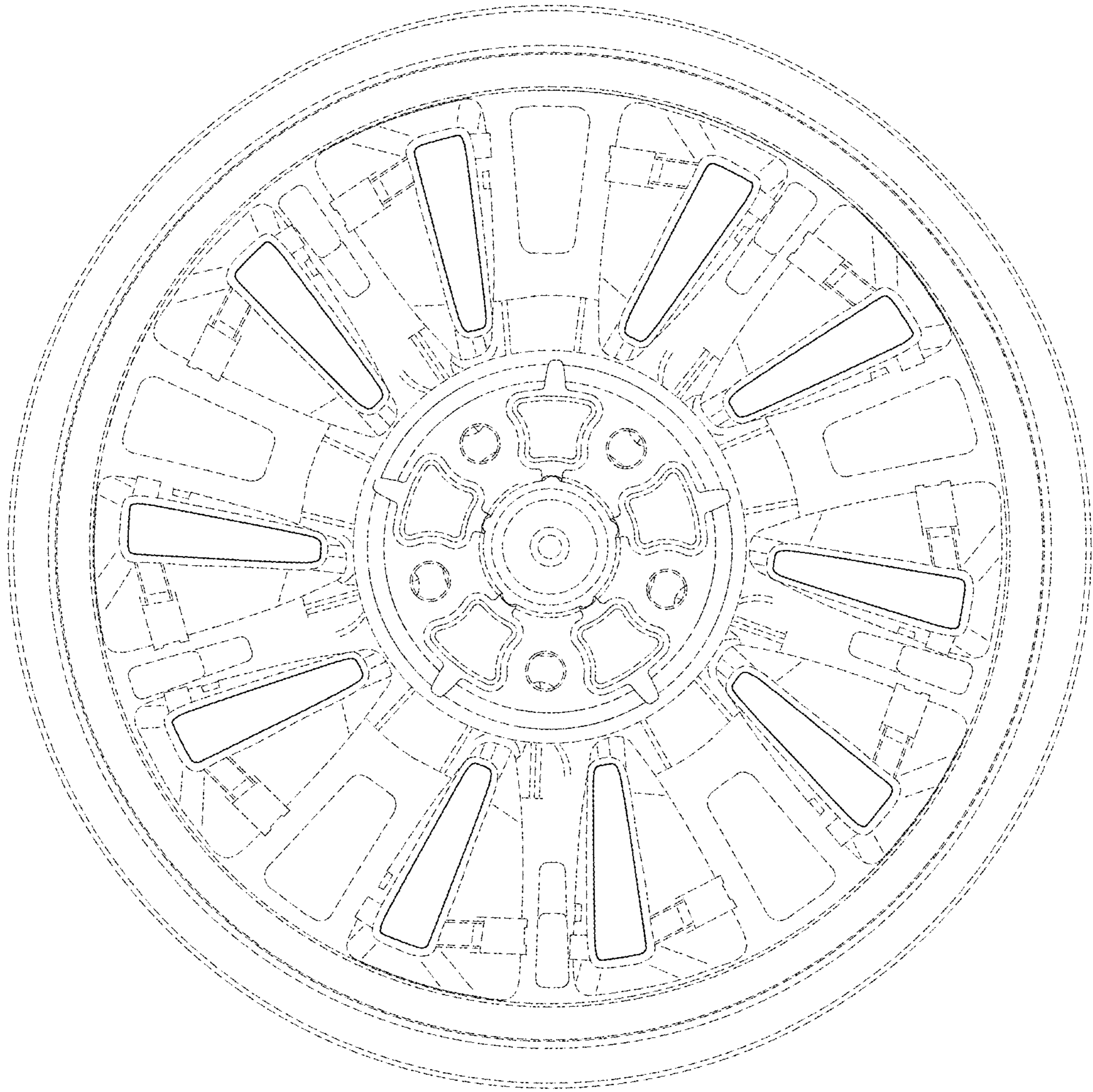


FIG - 7